



US00D987024S

(12) **United States Design Patent**
DeYoung et al.

(10) **Patent No.:** **US D987,024 S**
(45) **Date of Patent:** **** May 23, 2023**

(54) **FILTER CARTRIDGE HOUSING**

FOREIGN PATENT DOCUMENTS

(71) Applicant: **Vivoblu Inc**, Greenwood Village, CO (US)

CN ZL 2021303689924 11/2021
CN ZL 2021303691835 11/2021

(Continued)

(72) Inventors: **John V. DeYoung**, Parker, CO (US);
Matthew W. Tatusko, Highlands Ranch, CO (US); **Stephen P. Lavey**, Highlands Ranch, CO (US); **Shane Jerid Korthuis**, Denver, CO (US); **Marc Andrew Hanchak**, Denver, CO (US); **Philip Graham Rowe**, Denver, CO (US)

OTHER PUBLICATIONS

Filtrete Advanced Under Sink Quick Change Water Filtration, Mar. 2, 2007, Amazon.com Jul. 14, 2021. URL: <https://www.amazon.com/Filtrete-Advanced-Filtration-Microbial-3US-PF01/dp/B001DVRR4W/> (Year: 2007).*

(Continued)

(73) Assignee: **Vivoblu Inc**, Greenwood Village, CO (US)

Primary Examiner — Keith J Wilson

(74) *Attorney, Agent, or Firm* — King Iam LLC

(**) Term: **15 Years**

(21) Appl. No.: **29/787,891**

(57) **CLAIM**

The ornamental design for a filter cartridge housing, as shown and described.

(22) Filed: **Jun. 9, 2021**

(51) **LOC (14) Cl.** **23-01**

(52) **U.S. Cl.**
USPC **D23/209**

(58) **Field of Classification Search**
USPC D23/209, 235, 341, 358, 363–365;
D15/5

CPC B01D 46/0002; B01D 46/10; F02M 35/04;
F02M 35/10; F02M 35/024

See application file for complete search history.

DESCRIPTION

FIG. 1 is a top and left-front perspective view of a first embodiment thereof;

FIG. 2 is a bottom and right-back perspective view of the first embodiment thereof;

FIG. 3 is a front elevation view of the first embodiment thereof;

FIG. 4 is a back elevation view of the first embodiment thereof;

FIG. 5 is a left-side elevation view of the first embodiment thereof;

FIG. 6 is a right-side elevation view of the first embodiment thereof;

FIG. 7 is a top plan view of the first embodiment thereof; and,

FIG. 8 is a bottom plan view of the first embodiment thereof.

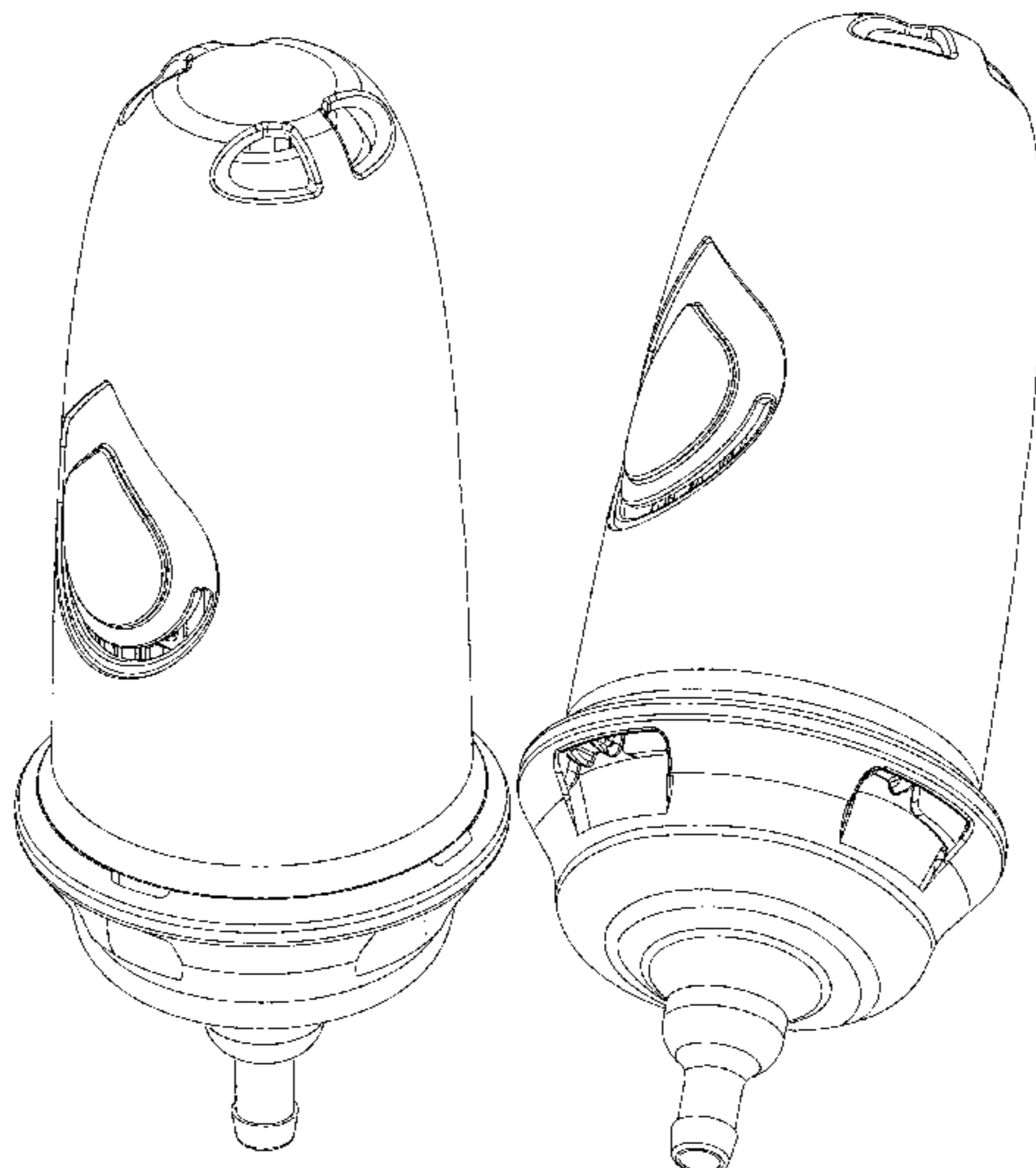
(56) **References Cited**

U.S. PATENT DOCUMENTS

553,696 A	1/1896	John	
4,218,324 A	8/1980	Hartmann et al.	
4,462,916 A	7/1984	Ecabert et al.	
4,491,520 A	1/1985	Haye	
5,066,393 A	11/1991	Padera et al.	
D330,712 S *	11/1992	Pingel D23/209
5,562,824 A	10/1996	Magnusson	
5,591,332 A	1/1997	Reid et al.	

(Continued)

1 Claim, 8 Drawing Sheets



(56)

References Cited

FOREIGN PATENT DOCUMENTS

U.S. PATENT DOCUMENTS

6,048,456 A 4/2000 Palmer
 D570,951 S * 6/2008 Morita D23/209
 7,575,678 B2 8/2009 Kuo
 9,630,856 B2 4/2017 Loniewski et al.
 9,796,600 B2 10/2017 Shotey et al.
 D852,318 S * 6/2019 Lin D23/207
 D857,840 S * 8/2019 Lu D23/209
 D894,329 S * 8/2020 Qiang D23/209
 D911,487 S * 2/2021 Qiang D23/209
 D913,416 S * 3/2021 Qiang D23/209
 D913,417 S * 3/2021 Huaping D23/209
 D917,662 S * 4/2021 Lu D23/209
 D918,335 S * 5/2021 Wei D23/209
 D919,041 S * 5/2021 Lu D23/209
 D924,354 S * 7/2021 Huang D23/209
 D939,044 S * 12/2021 Liqin D23/209
 D964,510 S * 9/2022 Melkonian D23/209
 D967,331 S * 10/2022 Lee D23/209
 D968,559 S * 11/2022 Jackson D23/209
 2002/0036176 A1 3/2002 Hughes et al.
 2003/0196944 A1 10/2003 Tanner et al.
 2006/0144781 A1 7/2006 Carlson et al.
 2007/0181487 A1 8/2007 Henderson
 2010/0300989 A1 12/2010 Baumann et al.
 2012/0091070 A1 4/2012 Sjauta et al.
 2012/0187052 A1 7/2012 Elliott
 2013/0055794 A1 3/2013 Armour
 2014/0166569 A1 * 6/2014 Chow B01D 35/30
 210/440
 2018/0016158 A1 1/2018 McDonald et al.
 2020/0269162 A1 8/2020 Cabbage et al.

GB 2501822 A 11/2013
 WO WO-2020-176541 A1 9/2020

OTHER PUBLICATIONS

Filtrete Standard Under Sink Quick Change Water Filtration, Aug. 5, 2008, Amazon.com Jul. 14, 2021.URL: <https://www.amazon.com/Filtrete-Standard-Filtration-Sediment-3US-AS01/dp/B001DVWAVW> (Year: 2008).*

3M High Flow Series Replacement Cartridge HF20-MS, 5615109, Jun. 18, 2009, Amazon.com, Jul. 14, 2021.URL: <https://www.amazon.com/3M-Water-Filtration-Products-Replacement/dp/B004UBSYMQ> (Year: 2009).*

International Preliminary Report on Patentability, International PCT Application No. PCT/US2020/19750, dated Aug. 25, 2021, 9 pages.

Notification of Grant, Chinese Application No. 202130369201X, dated Aug. 31, 2021, 2 pages.

Notification of Grant, Chinese Application No. 2021303689924, dated Aug. 31, 2021, 2 pages.

Notification of Grant, Chinese Application No. 2021303691835, dated Sep. 3, 2021, 2 pages.

Notification of Grant, Chinese Application No. 2021303692077, dated Sep. 3, 2021, 2 pages.

Notification of Grant, Chinese Application No. 2021303689939, dated Sep. 18, 2021, 2 pages.

Notification of Grant, Chinese Application No. 2021304290061, dated Sep. 23, 2021, 2 pages.

International Search Report and Written Opinion on International PCT Application No. PCT/US2020/19750, dated Jun. 23, 2020, 9 pages.

U.S. Appl. No. 16/801,058 Non-Final Office Action dated Jun. 10, 2021, 86 pages.

* cited by examiner

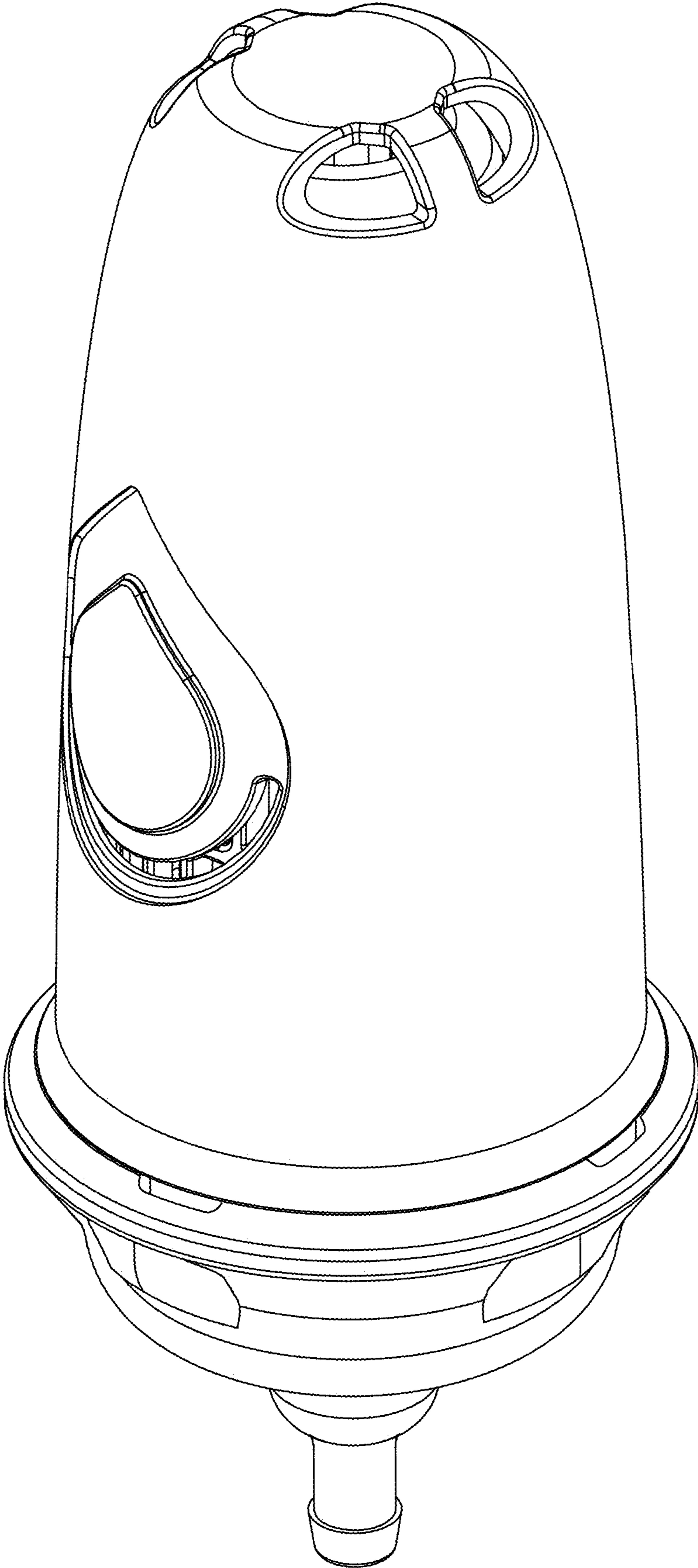


FIG. 1

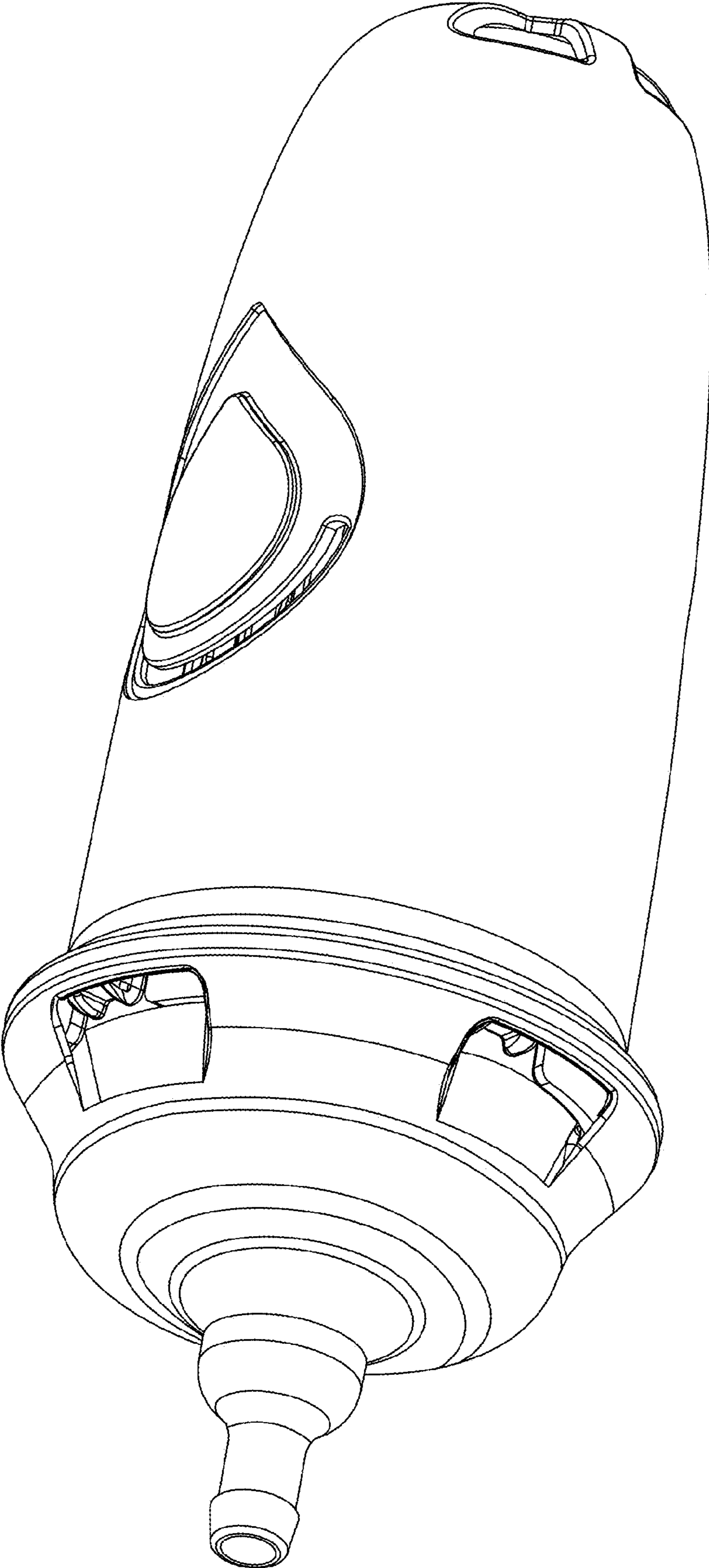


FIG. 2

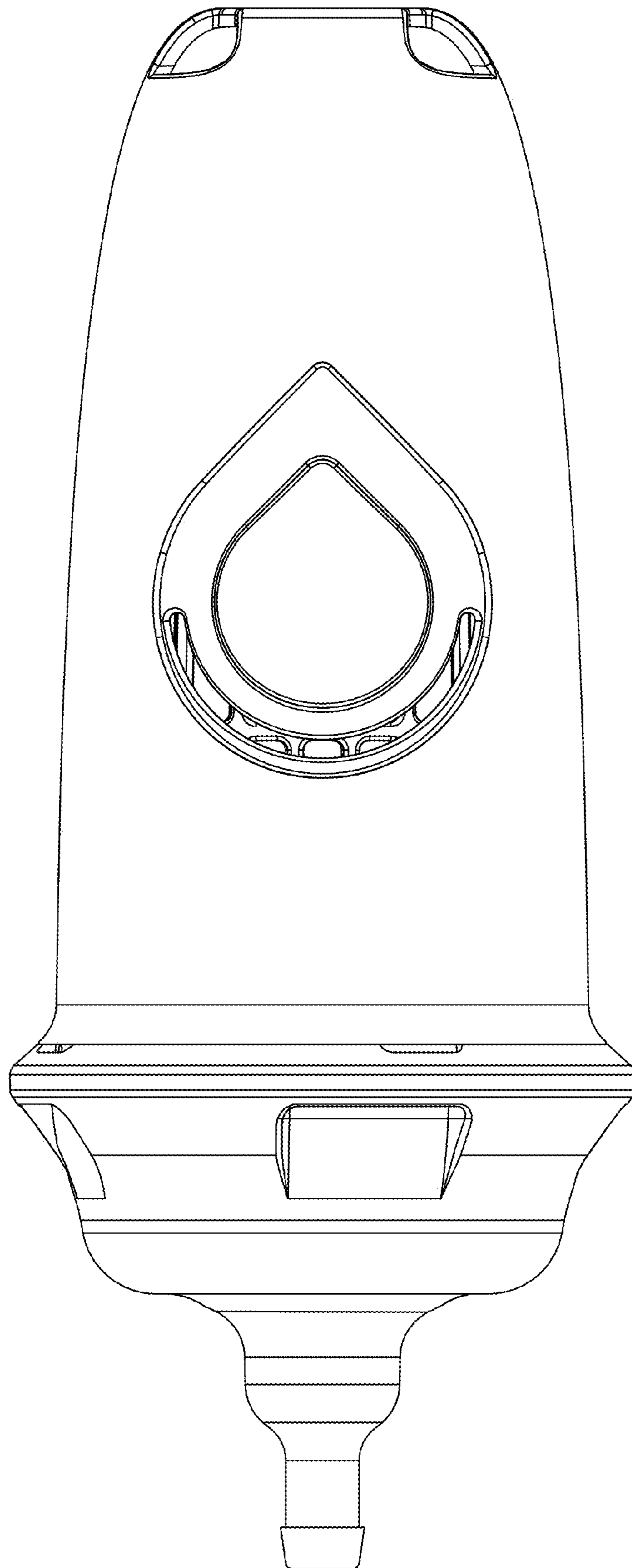


FIG. 3

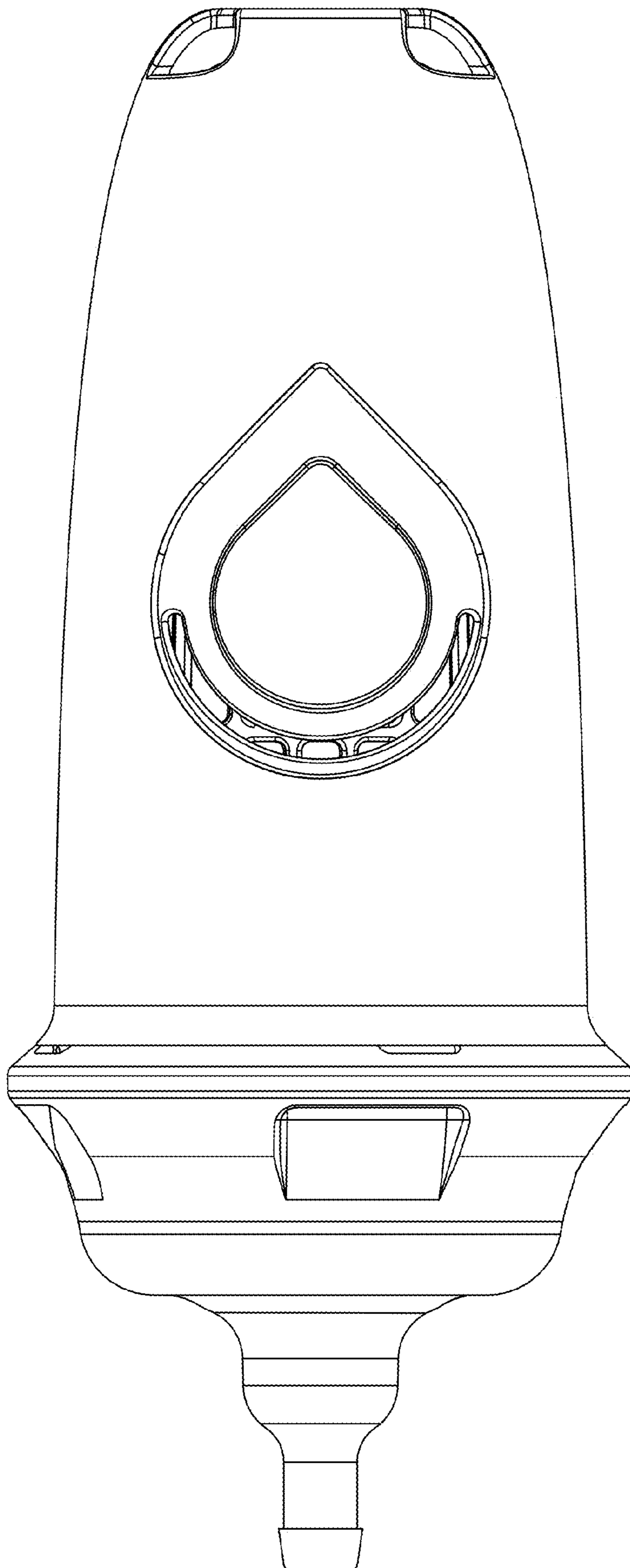


FIG. 4

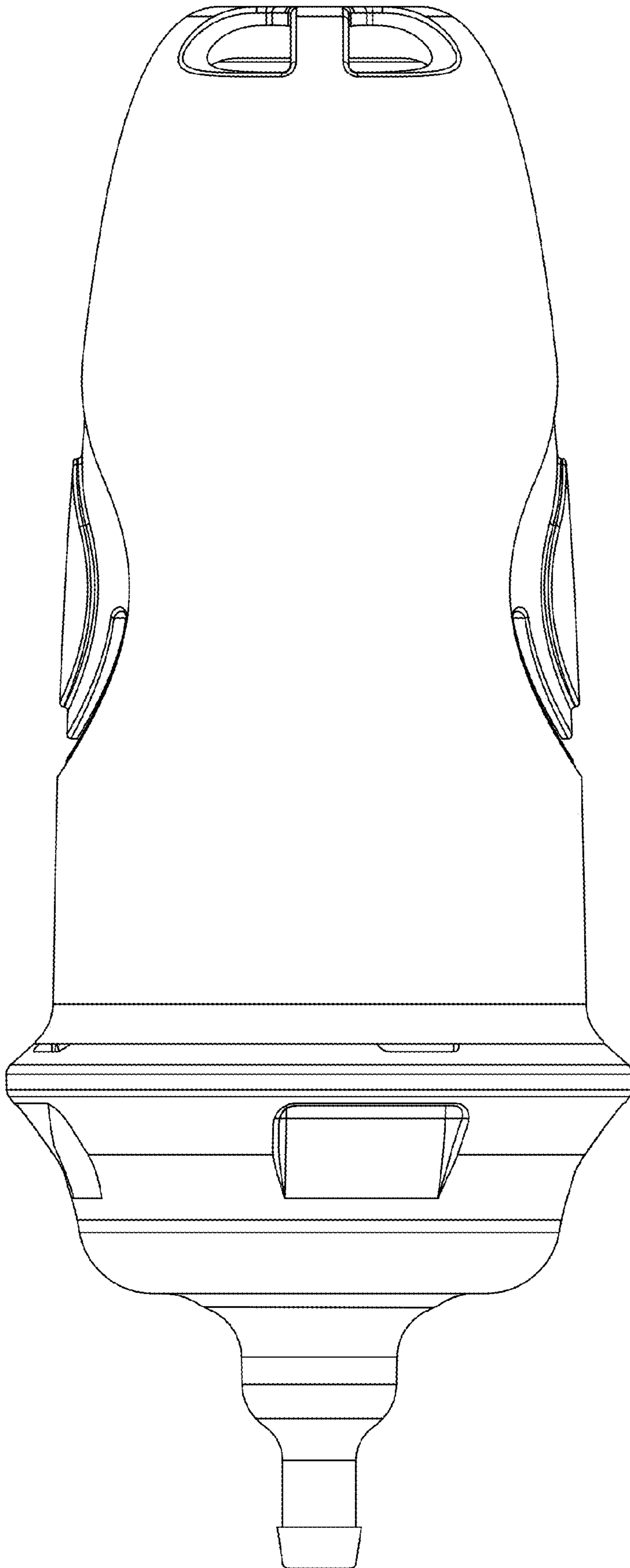


FIG. 5

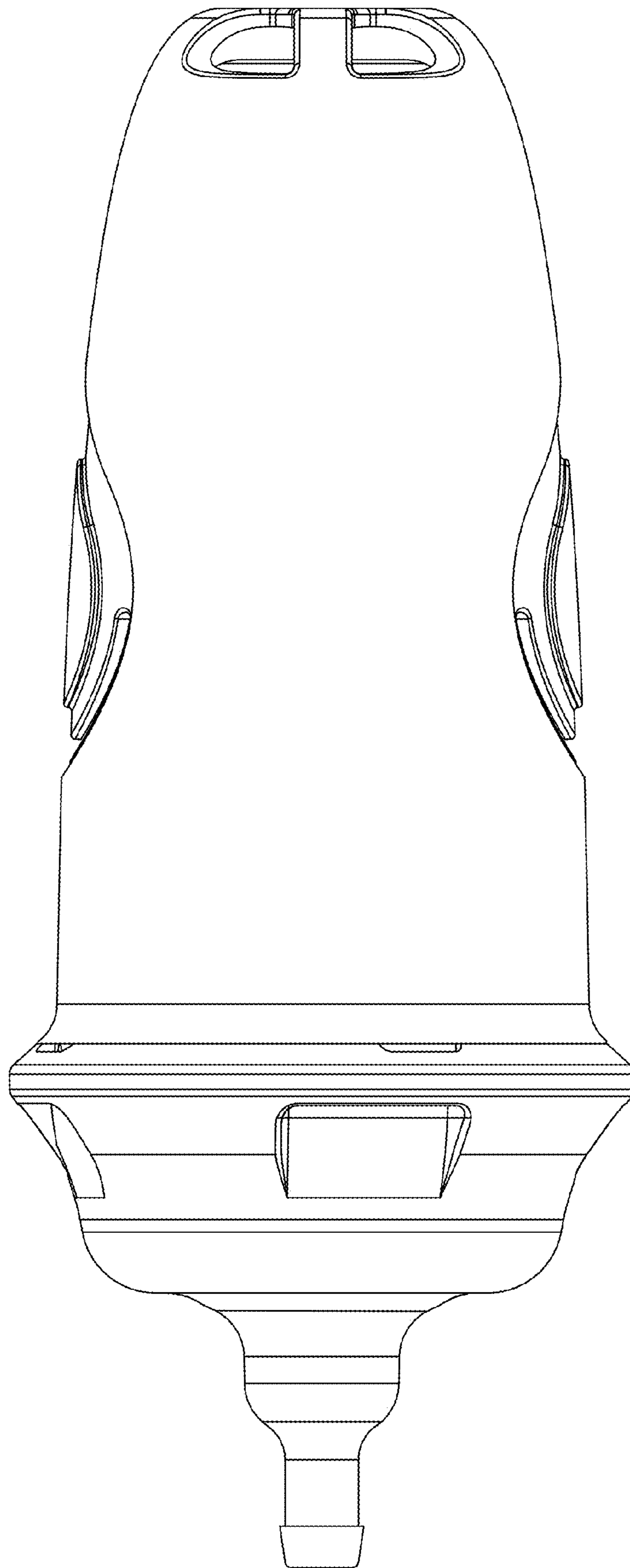


FIG. 6

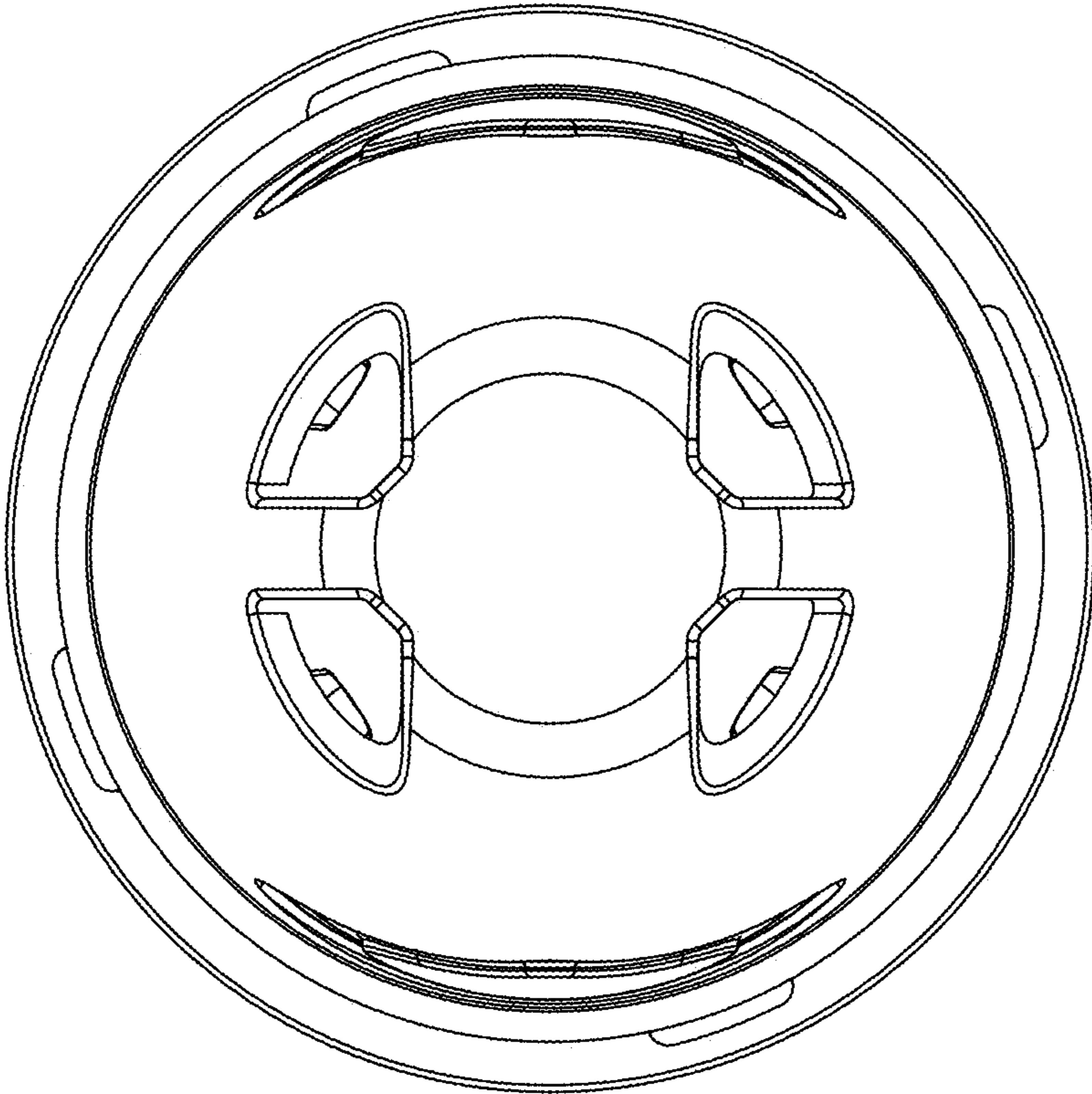


FIG. 7

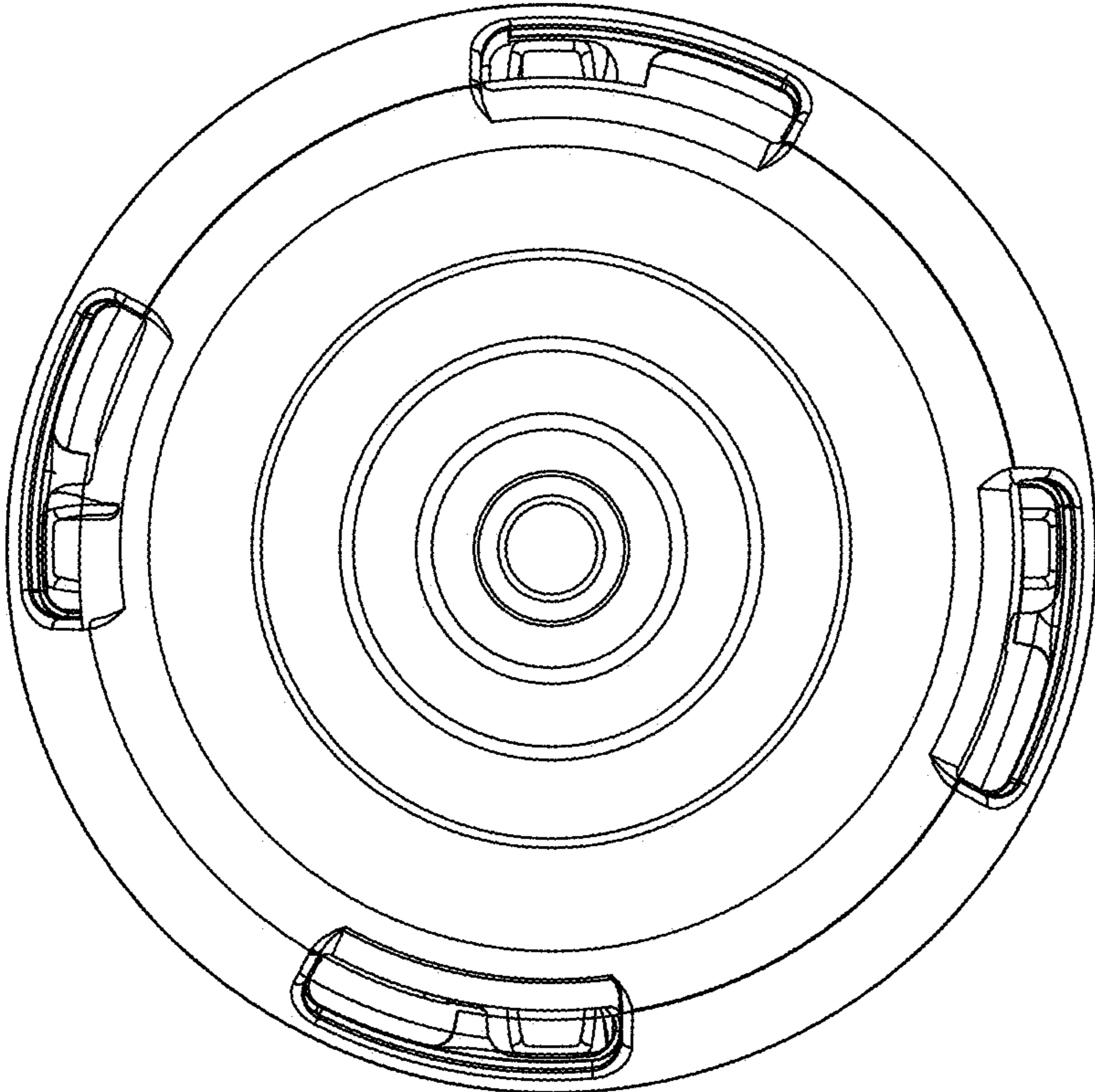


FIG. 8