



US00D987021S

(12) **United States Design Patent**
Niitsuma

(10) **Patent No.:** **US D987,021 S**

(45) **Date of Patent:** **** May 23, 2023**

(54) **FISHING REEL**

(71) Applicant: **Shimano Inc.**, Osaka (JP)

(72) Inventor: **Motohiro Niitsuma**, Osaka (JP)

(73) Assignee: **Shimano Inc.**, Osaka (JP)

(**) Term: **15 Years**

(21) Appl. No.: **29/758,461**

(22) Filed: **Nov. 16, 2020**

(30) **Foreign Application Priority Data**

Jun. 10, 2020 (JP) 2020-011569

(51) **LOC (14) Cl.** **22-05**

(52) **U.S. Cl.**
USPC **D22/141**

(58) **Field of Classification Search**
USPC D22/137-141

(Continued)

(56) **References Cited**

U.S. PATENT DOCUMENTS

D528,626 S * 9/2006 Iwabuchi D22/141

D539,377 S * 3/2007 Kondo D22/141

(Continued)

FOREIGN PATENT DOCUMENTS

JP 1448379 S 8/2012

JP 1489677 S 2/2014

(Continued)

OTHER PUBLICATIONS

ShimanoUltegra, posted Feb. 2, 2021, retrieved Sep. 1, 2022.
Retreieved from internet, <https://www.amazon.com/dp/B08VQ7846G?tag=allfishing086-20&linkCode=ogi&th> (Date:2022) (Year: 2021).*

Primary Examiner — Christian P. McLean

Assistant Examiner — Kristopher Michael Blechschmidt

(74) *Attorney, Agent, or Firm* — Global IP Counselors, LLP

(57) **CLAIM**

The ornamental design for a fishing reel, as shown and described.

DESCRIPTION

FIG. 1 is a rear perspective view of a fishing reel that includes a fishing reel in accordance with my new design; FIG. 2 is a first side elevational view of the fishing reel illustrated in FIG. 1 that includes the fishing reel;

FIG. 3 is a second side elevational view of the fishing reel illustrated in FIG. 1 that includes the fishing reel;

FIG. 4 is a top plan view of the fishing reel illustrated in FIG. 1 that includes the fishing reel;

FIG. 5 is a bottom plan view of the fishing reel illustrated in FIG. 1 that includes the fishing reel but in which the fishing reel is completely hidden from sight;

FIG. 6 is a rear elevational view of the fishing reel illustrated in FIG. 1 that includes the fishing reel;

FIG. 7 is a front elevational view of the fishing reel illustrated in FIG. 1 that includes the fishing reel but in which the fishing reel is completely hidden from sight;

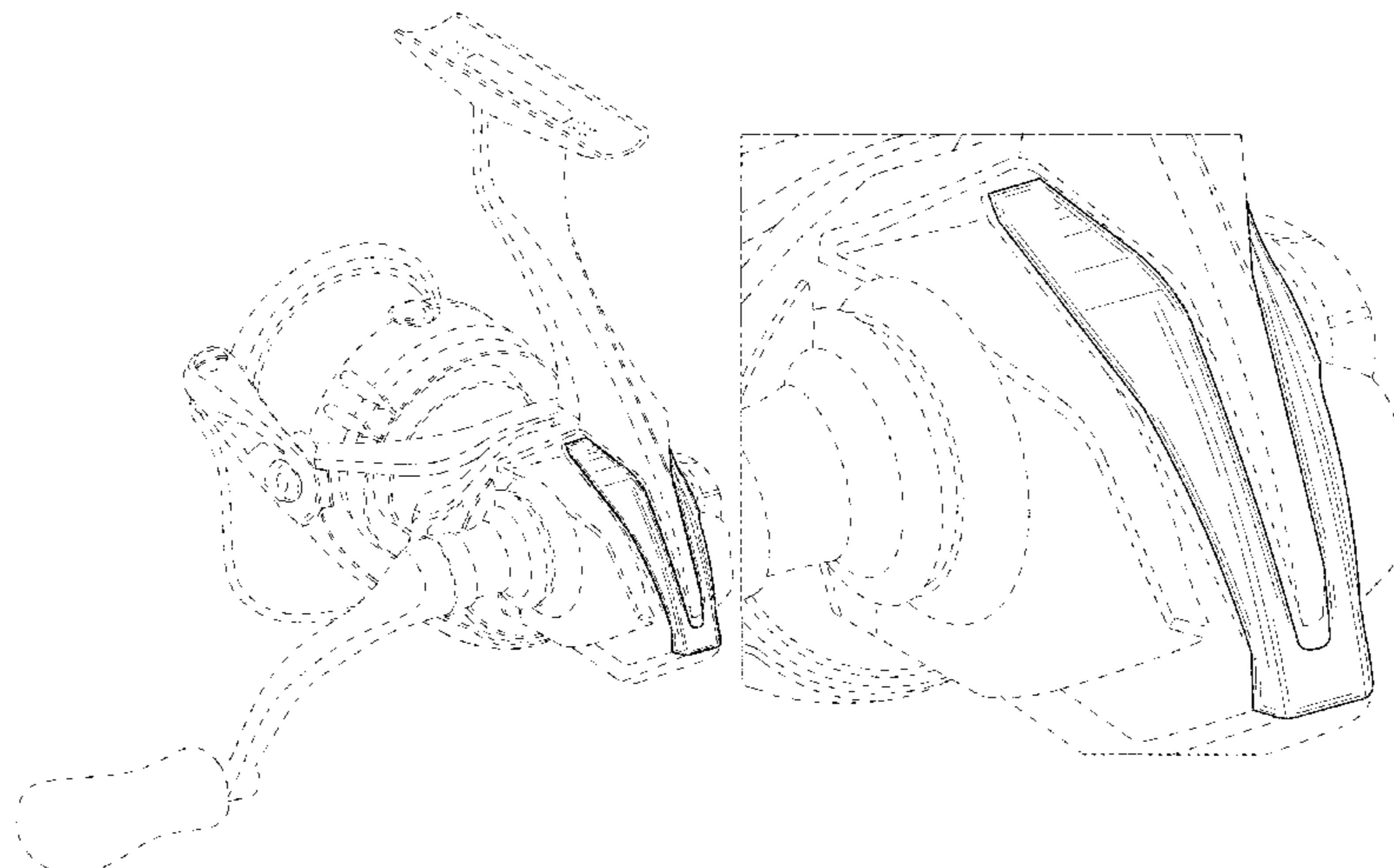
FIG. 8 is an enlarged perspective view, similar to FIG. 1, of a portion of the fishing reel illustrated in FIG. 1 that includes the fishing reel;

FIG. 9 is an enlarged rear elevational view, similar to FIG. 6, of a portion of the fishing reel illustrated in FIG. 1 that includes the fishing reel; and,

FIG. 10 is an enlarged perspective view of an another embodiment of the fishing reel, which is identical to the fishing reel illustrated in FIGS. 1 to 9, except that two boundaries are shown in broken lines.

In the drawings, the broken line illustration of the environmental structure (the remaining structure of the fishing reel) in the drawings is not part of the claimed design. In other words, the broken line portion of the fishing reel does not form part of the claimed design. Also, in the drawings, the

(Continued)



dot-dash broken lines illustrate the boundary of the enlarged drawing views and forms no part of the claimed design.

1 Claim, 10 Drawing Sheets

(58) Field of Classification Search

CPC A01K 89/00; A01K 89/01; A01K 81/00;
A01K 89/06; A01K 89/015; A01K
89/016; F41B 5/1484

See application file for complete search history.

(56) References Cited

U.S. PATENT DOCUMENTS

D561,871 S	*	2/2008	Iwabuchi	D22/141
D589,586 S		3/2009	Noma	
D624,625 S	*	9/2010	Tabuse	D22/141
D624,626 S		9/2010	Noma	
D627,421 S	*	11/2010	Nago	D22/141
D627,423 S	*	11/2010	Noma	D22/141
D675,284 S	*	1/2013	Asaba	D22/141
D846,066 S		4/2019	Deguchi	
D846,067 S		4/2019	Deguchi	

FOREIGN PATENT DOCUMENTS

JP	D20194013	*	2/2019
JP	D167892	*	6/2020

* cited by examiner



FIG. 1

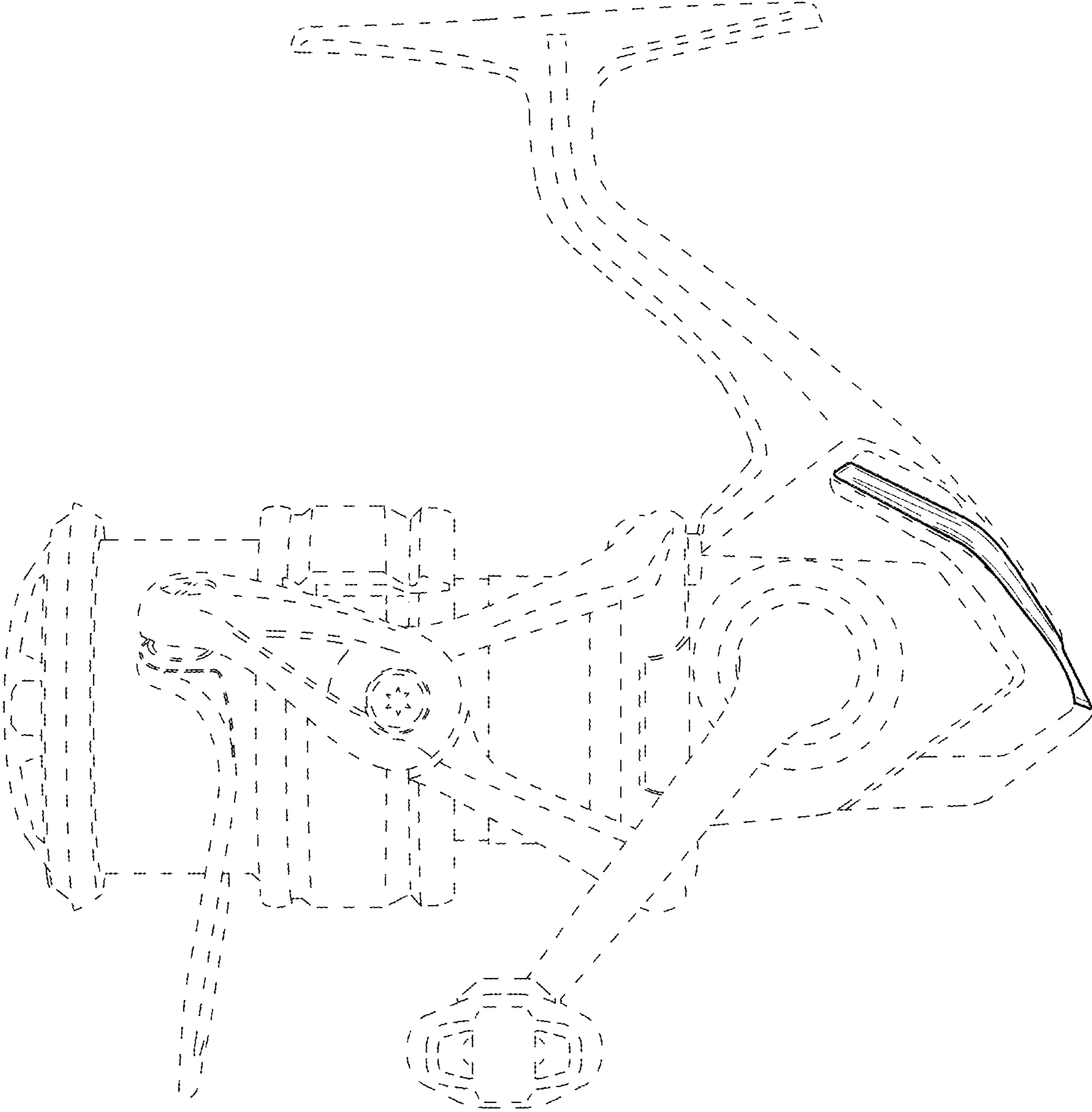


FIG. 2

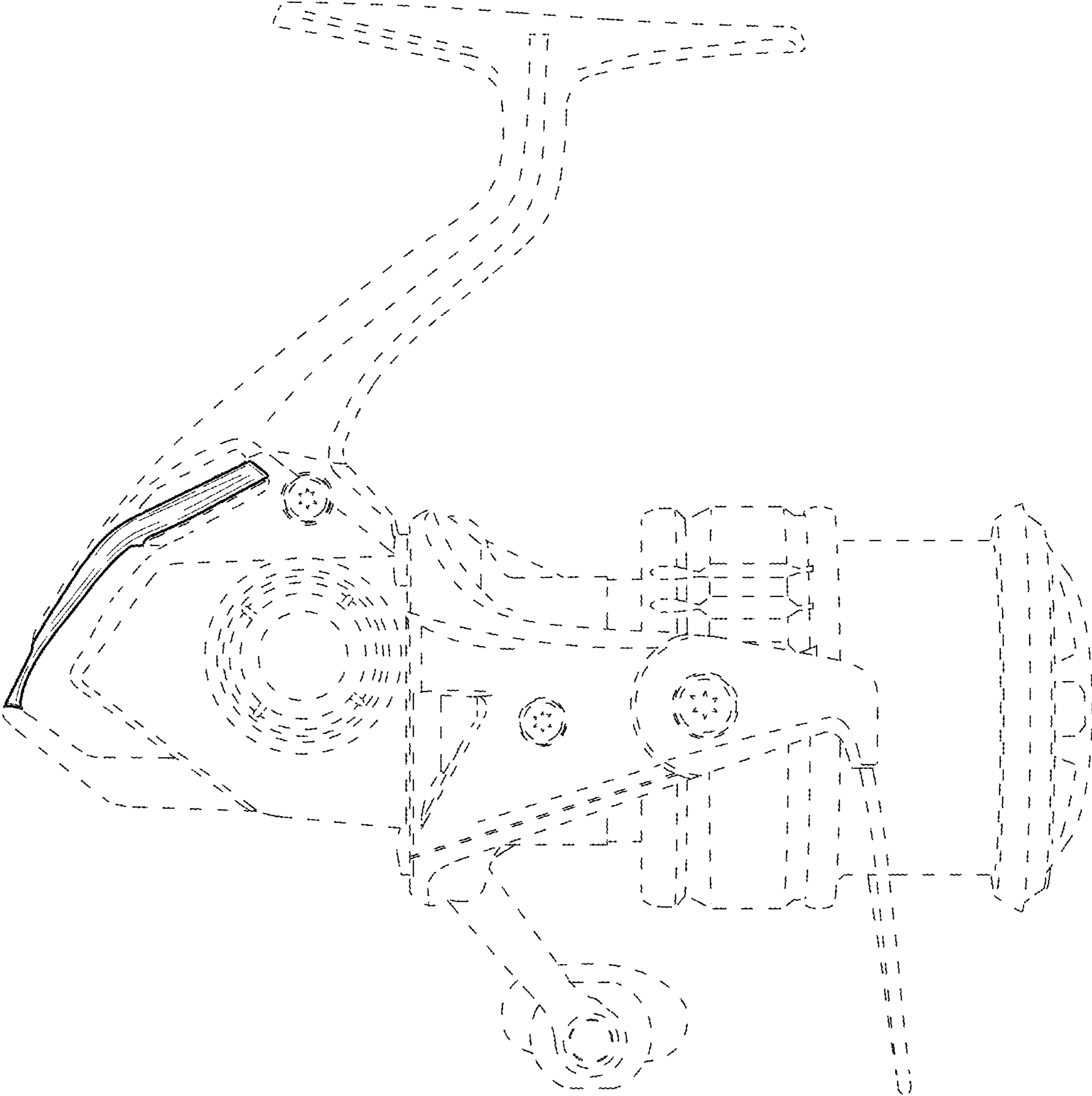


FIG. 3

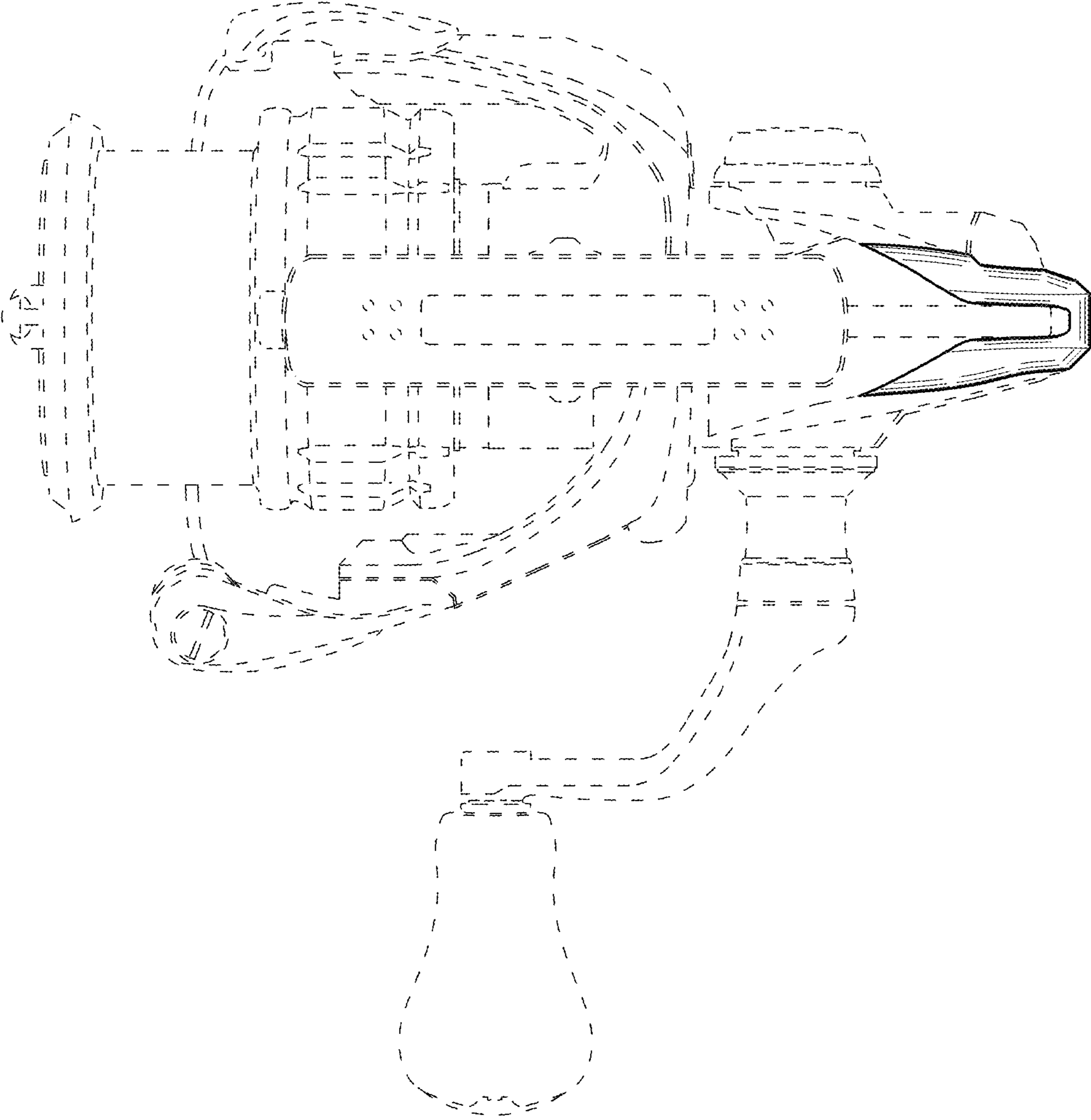


FIG. 4

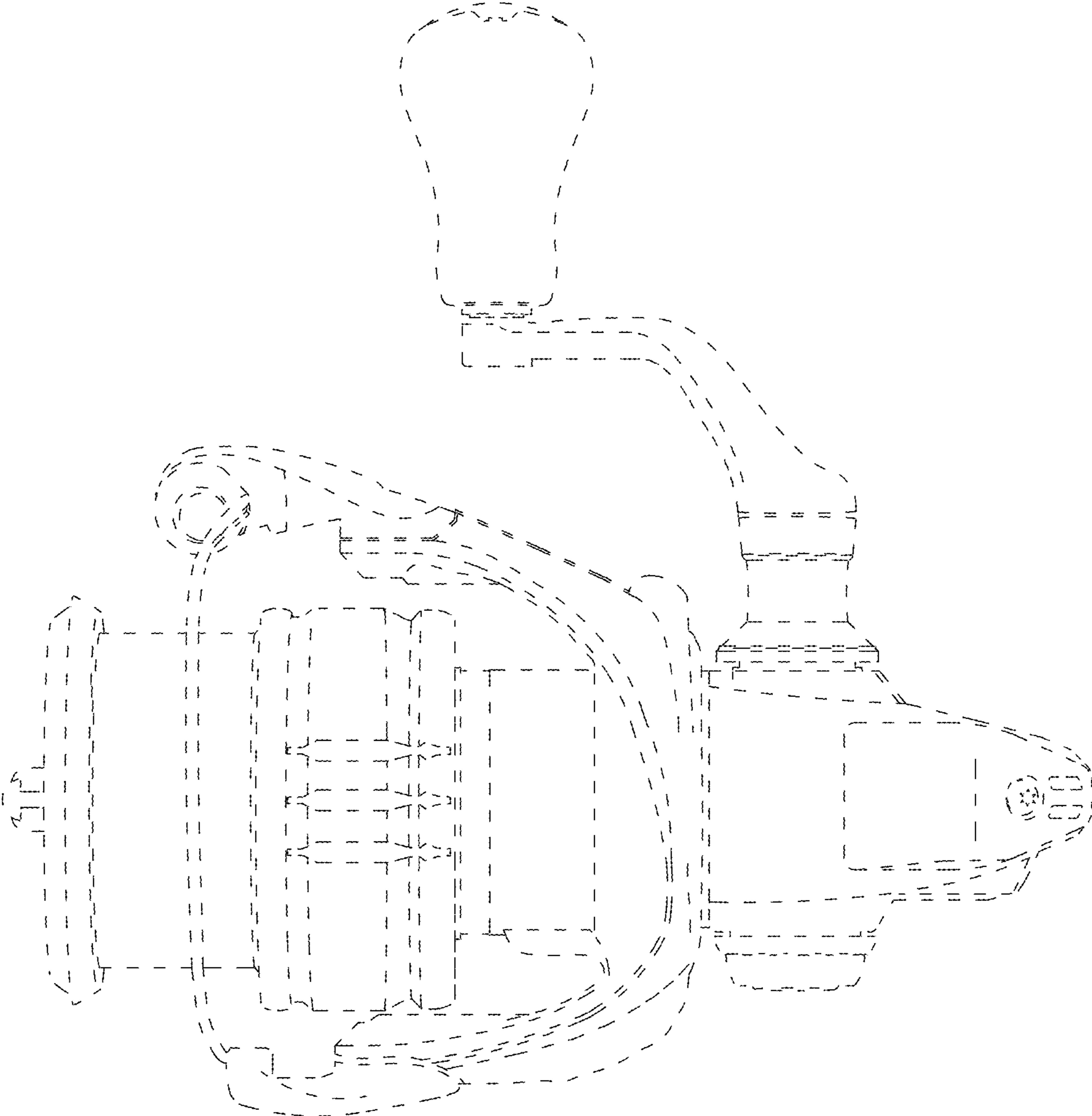


FIG. 5

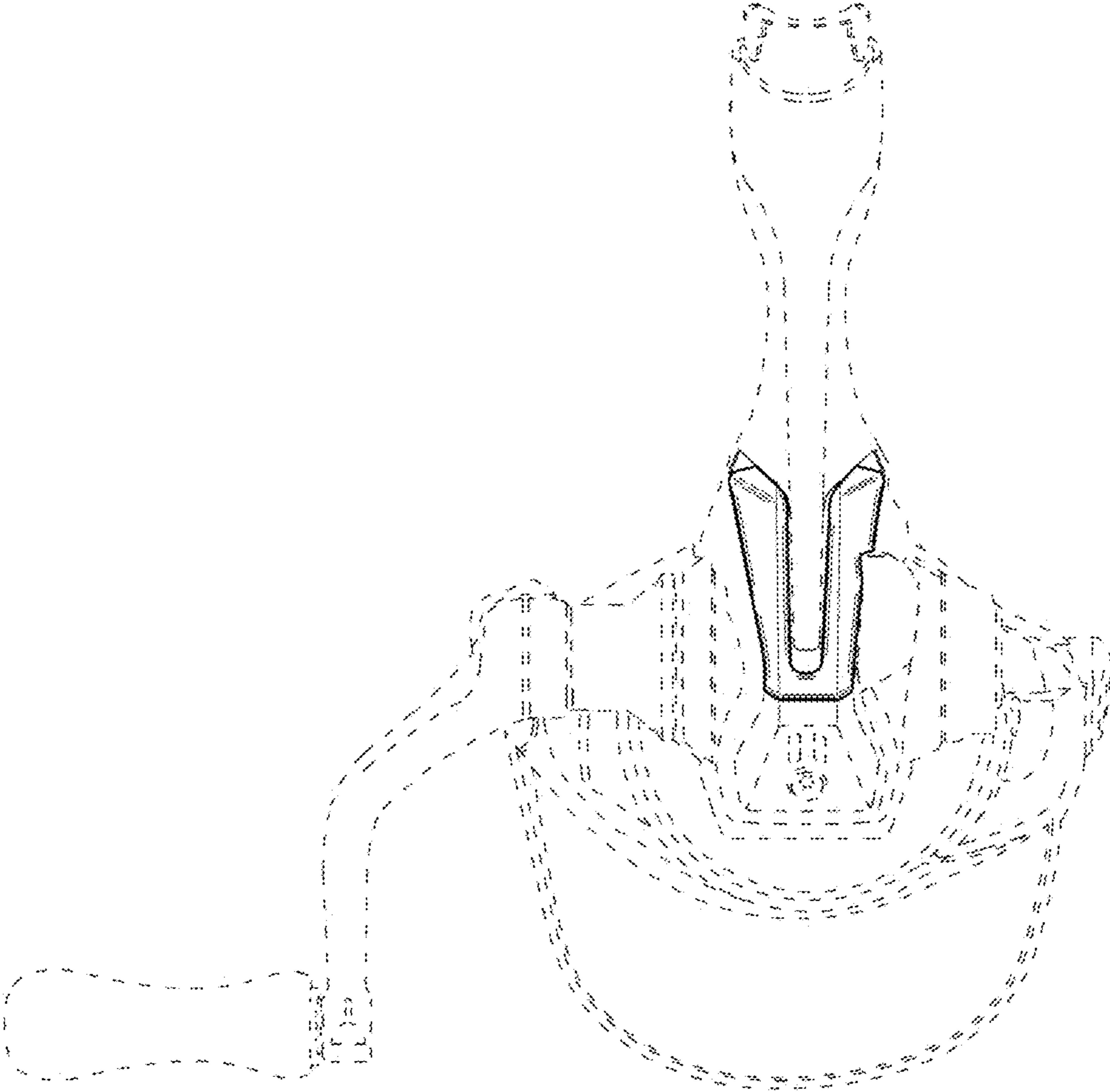


FIG. 6

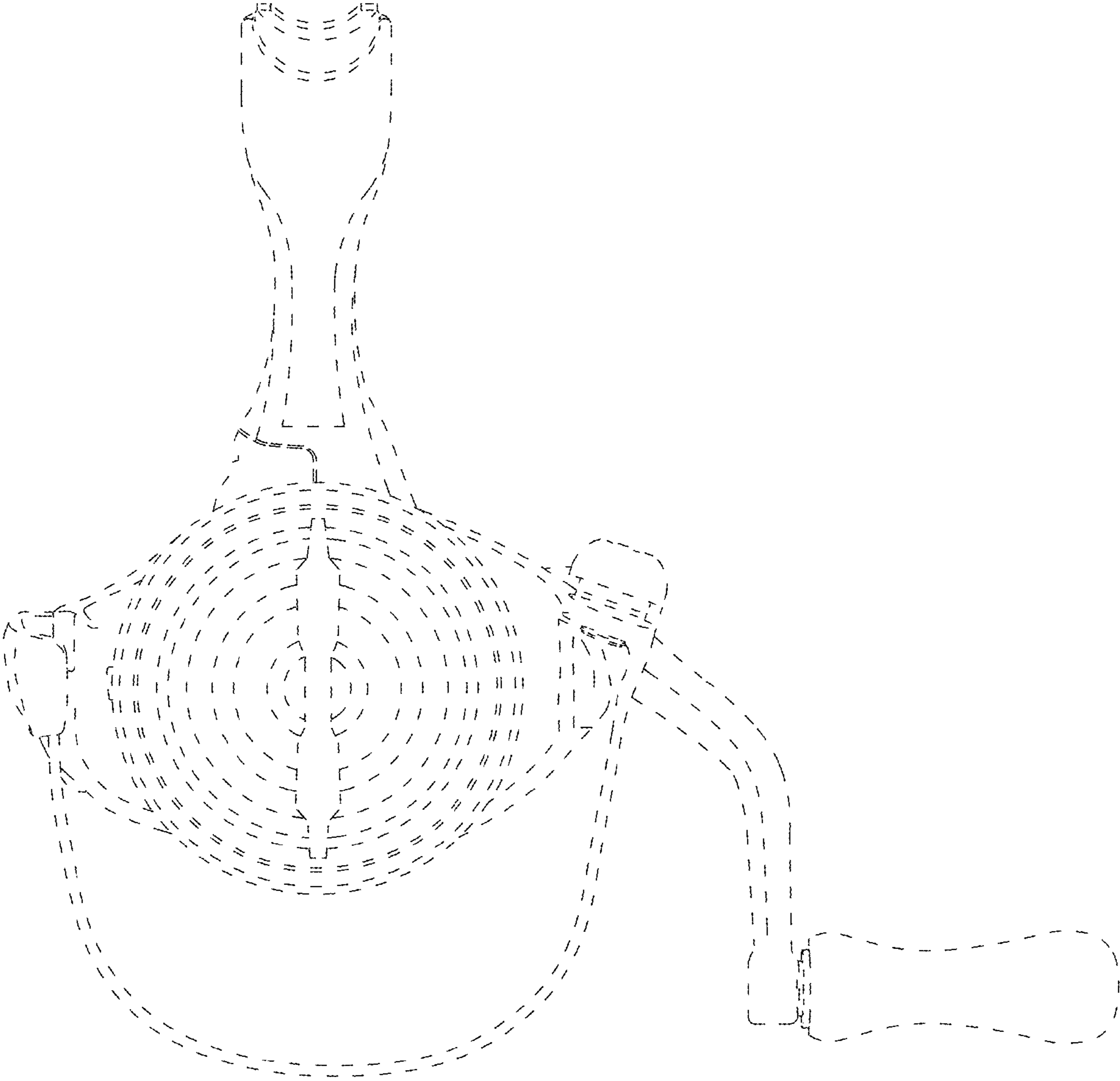


FIG. 7

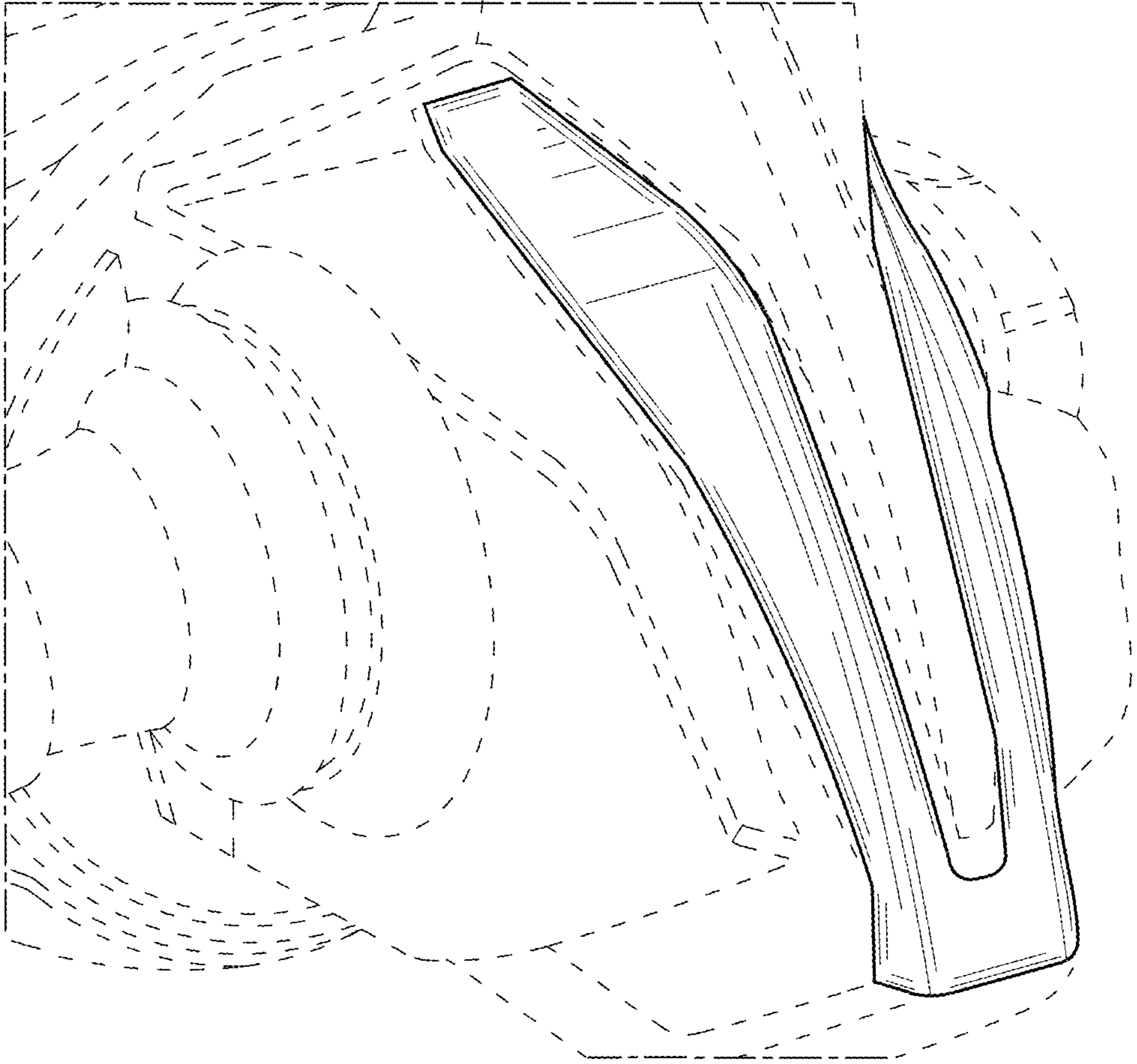


FIG. 8

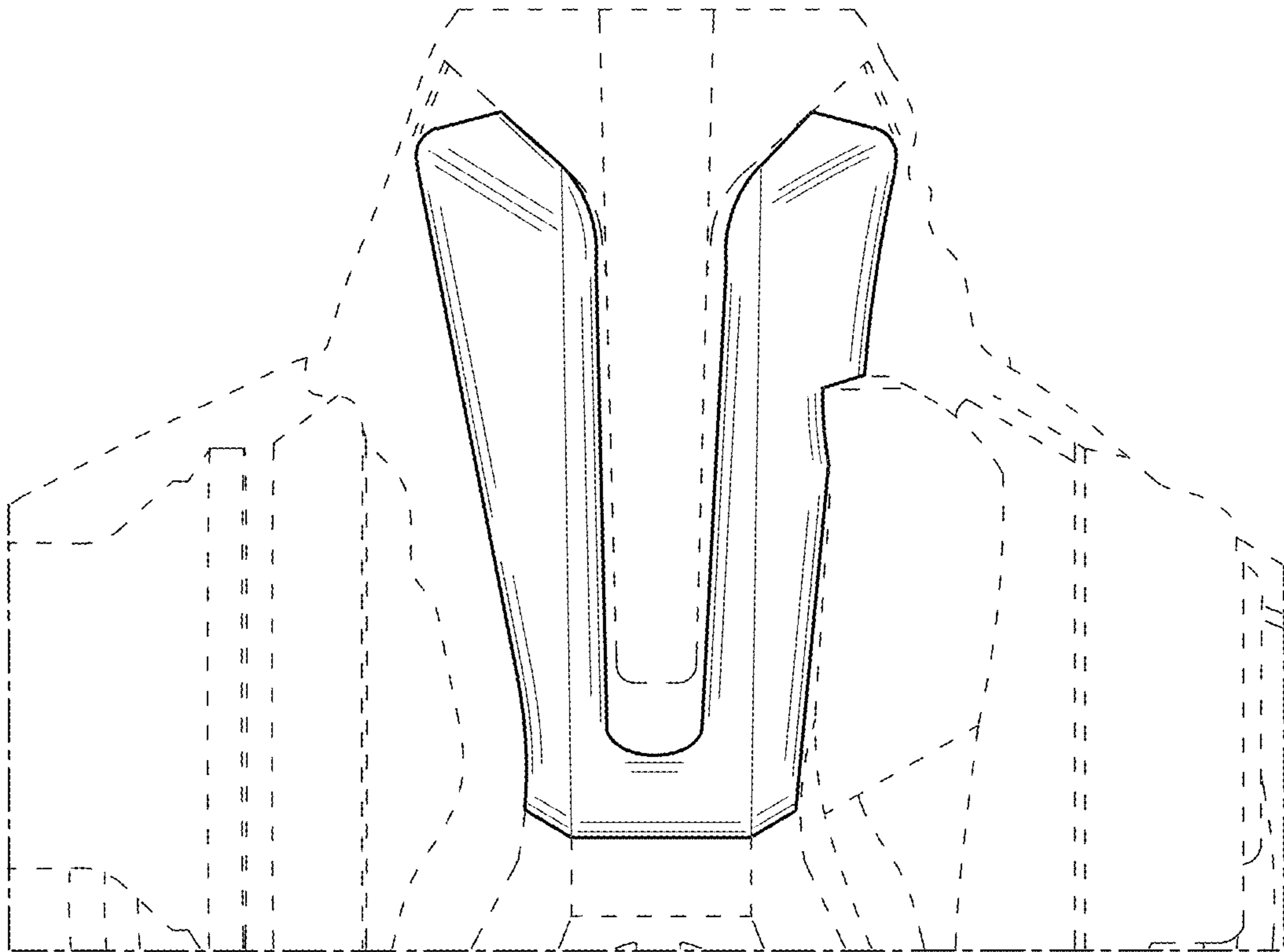


FIG. 9

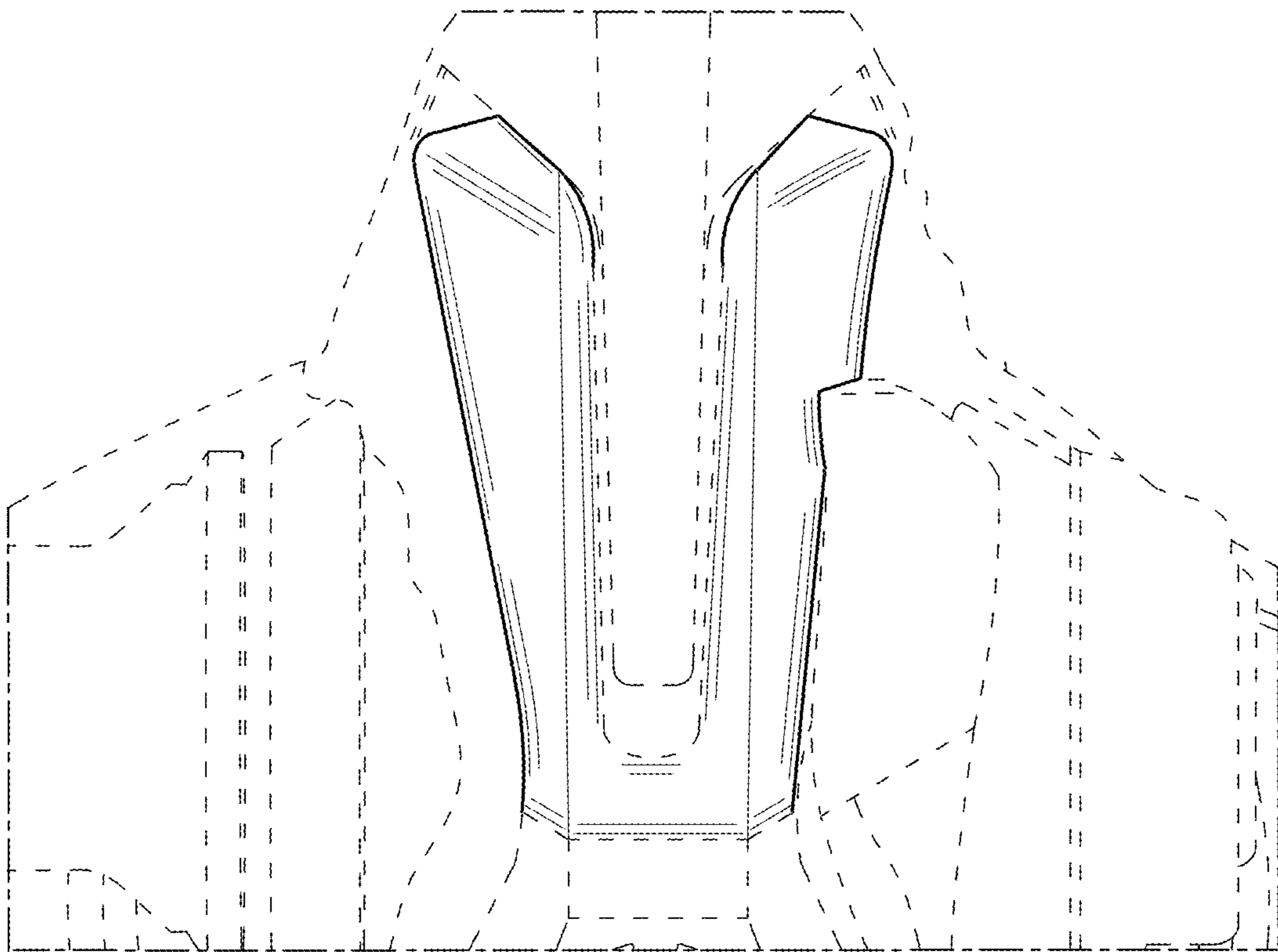


FIG. 10