



US00D987020S

(12) **United States Design Patent** (10) **Patent No.:** **US D987,020 S**
He et al. (45) **Date of Patent:** **** May 23, 2023**

(54) **BEARING SWIVEL** D346,423 S * 4/1994 Kitagawa D8/367
D346,734 S * 5/1994 Rohr D8/349
(71) Applicant: **Shanghai Black King Kong Industrial** 5,529,421 A * 6/1996 Epkens H02G 1/081
Group Co., Ltd., Shanghai (CN) 403/164

(Continued)

(72) Inventors: **Xian Zhi He**, Shanghai (CN); **Fan Yang**, Shanghai (CN); **Michele Gori**, Shanghai (CN)

FOREIGN PATENT DOCUMENTS

CN 304968883 S 12/2018
CN 304968884 S 12/2018

(Continued)

(73) Assignee: **SHANGHAI BLACK KING KONG INDUSTRIAL GROUP CO., LTD.**, Shanghai (CN)

OTHER PUBLICATIONS

(**) Term: **15 Years**

Kroc Dual Rotation, posted unknown [online], [retrieved Dec. 22, 2022]. Retrieved from internet, <https://www.jdmslowjigging.com/products/krok-dual-rotation-ball-bearing-swivel> (Date:2022) (Year: 2022).*

(21) Appl. No.: **29/763,137**

(Continued)

(22) Filed: **Dec. 21, 2020**

(30) **Foreign Application Priority Data**

Jun. 19, 2020 (CN) 202030318766.0

(51) **LOC (14) Cl.** **22-05**

(52) **U.S. Cl.**
USPC **D22/127**

(58) **Field of Classification Search**
USPC D8/349, 367; D22/143-147, 199, 134, D22/137; D11/86-87, 200
CPC A01K 91/04; A01K 95/00; Y10S 24/908; Y10S 24/45408; Y10T 24/45424; A44C 3/00; A44B 13/00; A44B 13/0011; A41C 3/12; A41C 1/14
See application file for complete search history.

Primary Examiner — Christian P. McLean
Assistant Examiner — Kristopher Michael Blechschmidt
(74) *Attorney, Agent, or Firm* — Aird & McBurney LP

(57) **CLAIM**

The ornamental design for a bearing swivel, as shown and described.

DESCRIPTION

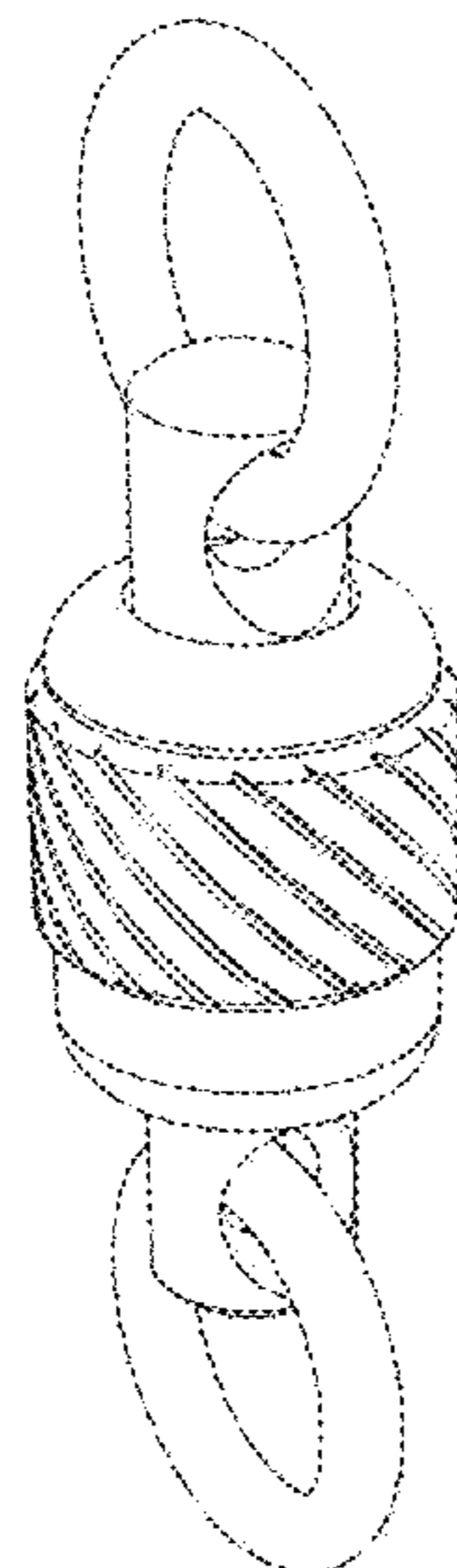
FIG. 1 is a front elevation view of the new design for a bearing swivel, wherein the rear elevation view is a mirror image thereof;
FIG. 2 is a left side elevation view thereof, wherein the right side elevation view is a mirror image thereof;
FIG. 3 is a top plan view thereof, wherein the bottom plan view is a mirror image thereof;
FIG. 4 is a perspective view from above, to the front and to the left side thereof; and,
FIG. 5 is a perspective view from below, to the rear and the right side thereof.

(56) **References Cited**

U.S. PATENT DOCUMENTS

D157,122 S * 2/1950 Blake et al. D8/367
4,552,481 A * 11/1985 Bluett F16G 15/08
59/95
D308,600 S * 6/1990 Wischnowsky D3/207
D326,601 S * 6/1992 Smith D8/356

1 Claim, 3 Drawing Sheets



(56)

References Cited

U.S. PATENT DOCUMENTS

5,749,812 A * 5/1998 Feciura A63B 5/20
482/82
D440,133 S * 4/2001 Webb D8/21
D456,827 S * 5/2002 Butts D15/143
6,461,071 B1 * 10/2002 Kanemura F16G 11/00
403/164
D549,750 S * 8/2007 Sim D15/143
D552,137 S * 10/2007 Sim D15/143
D586,424 S * 2/2009 Gibbs D22/144
D620,960 S * 8/2010 Teed D15/143
D633,171 S * 2/2011 Wastrack D22/134
D645,933 S * 9/2011 Henry, Jr. D22/134
D741,740 S * 10/2015 DiPietro D11/87
D751,460 S * 3/2016 Jankowski D11/200
D816,184 S * 4/2018 Kim D22/134
D860,638 S * 9/2019 Tunney D3/207
D895,762 S * 9/2020 Turner A01K 91/04
D22/143
D928,650 S * 8/2021 Sogani D11/86
2004/0018042 A1 * 1/2004 Smith H02G 7/04
403/78
2007/0031183 A1 * 2/2007 Sim A01K 91/047
403/78

FOREIGN PATENT DOCUMENTS

CN 201830393004.X * 3/2019
CN 305251077 S 7/2019
KR 30-0375670 S 3/2005
KR 30-0419903 S 7/2006

OTHER PUBLICATIONS

BKK Fishing Stainless Steel, posted Jun. 1, 2021 [online], [retrieved Dec. 27, 2022], Retrieved from internet, [https://www.amazon.co.uk/Fishing-Stainless-Smooth-Rotation-INFINITY/dp/B0BQ6PMY8X/ref=sr_1_1?crid=2HPT2QD334RTE&keywords=bkk+infinity&qid=1671732165&srefix=\(Date:2022\)\(Year:2021\).](https://www.amazon.co.uk/Fishing-Stainless-Smooth-Rotation-INFINITY/dp/B0BQ6PMY8X/ref=sr_1_1?crid=2HPT2QD334RTE&keywords=bkk+infinity&qid=1671732165&srefix=(Date:2022)(Year:2021).)*
BKK Infinity Swivel, posted Sep. 16, 2022 [online], [retrieved Dec. 27, 2022]. Retrieved from internet, <https://www.youtube.com/watch?v=Yy134ef-ozA> (Date:2022) (Year: 2022).*
BKK Stainless BB Swivel, posted unknown[online], [retrieved Dec. 22, 2022]. Retrieved from internet, https://www.tackledirect.com/bkk-d-mq-1014-stainless-bb-swivel.html?gclid=EAlalQobChMnu7BnuWN_AIVjo3ICh0R0QkzEAQYASABEglNo_D_BwE (Date: 2022) (Year: 2022).*

* cited by examiner

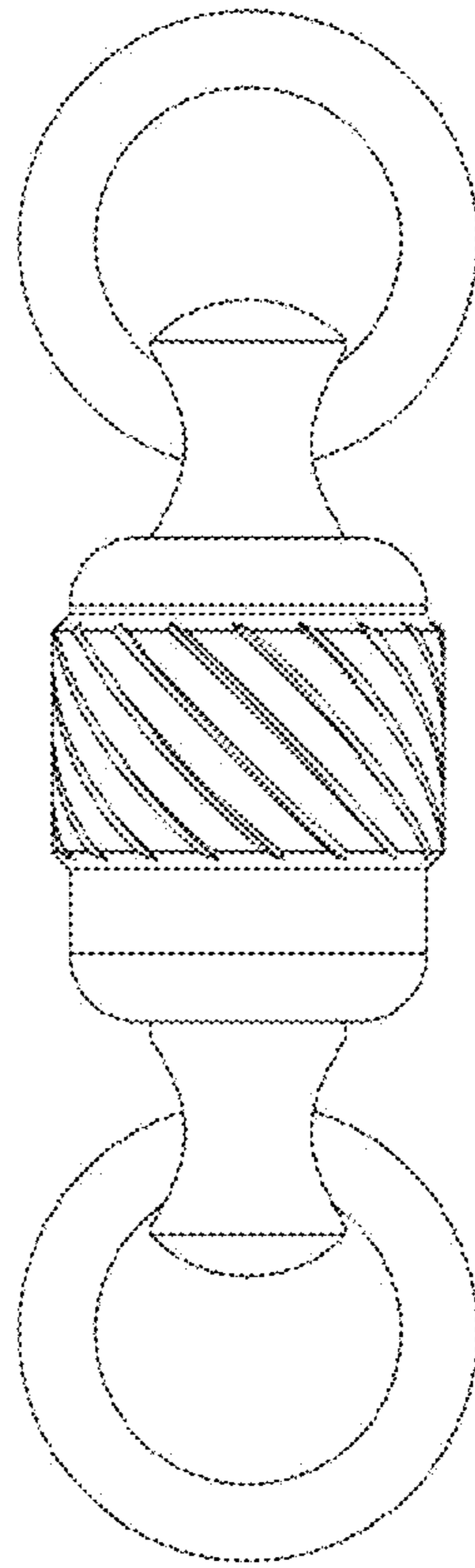


FIG. 1

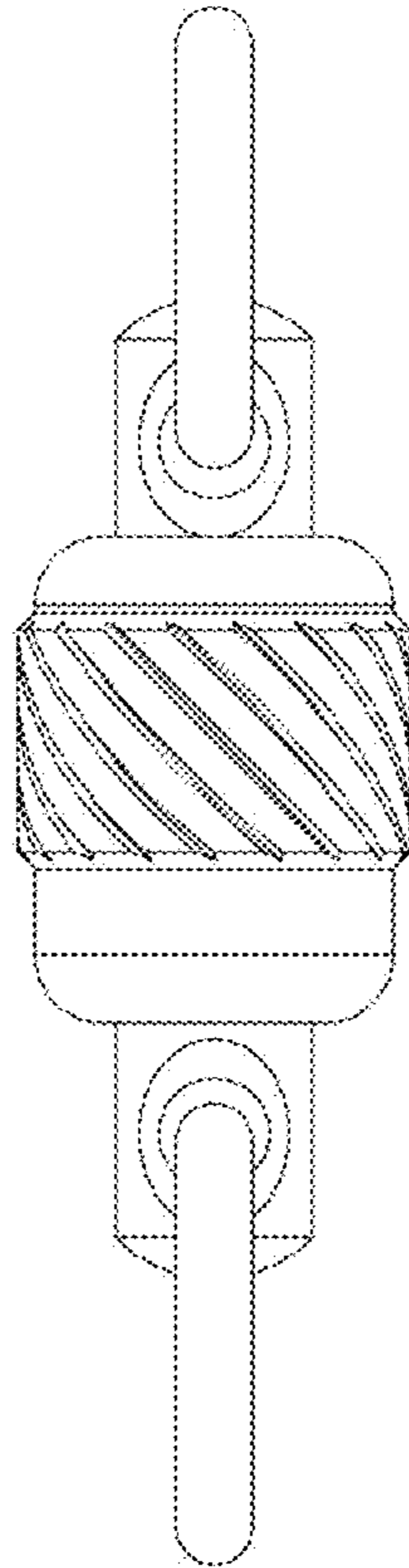


FIG. 2

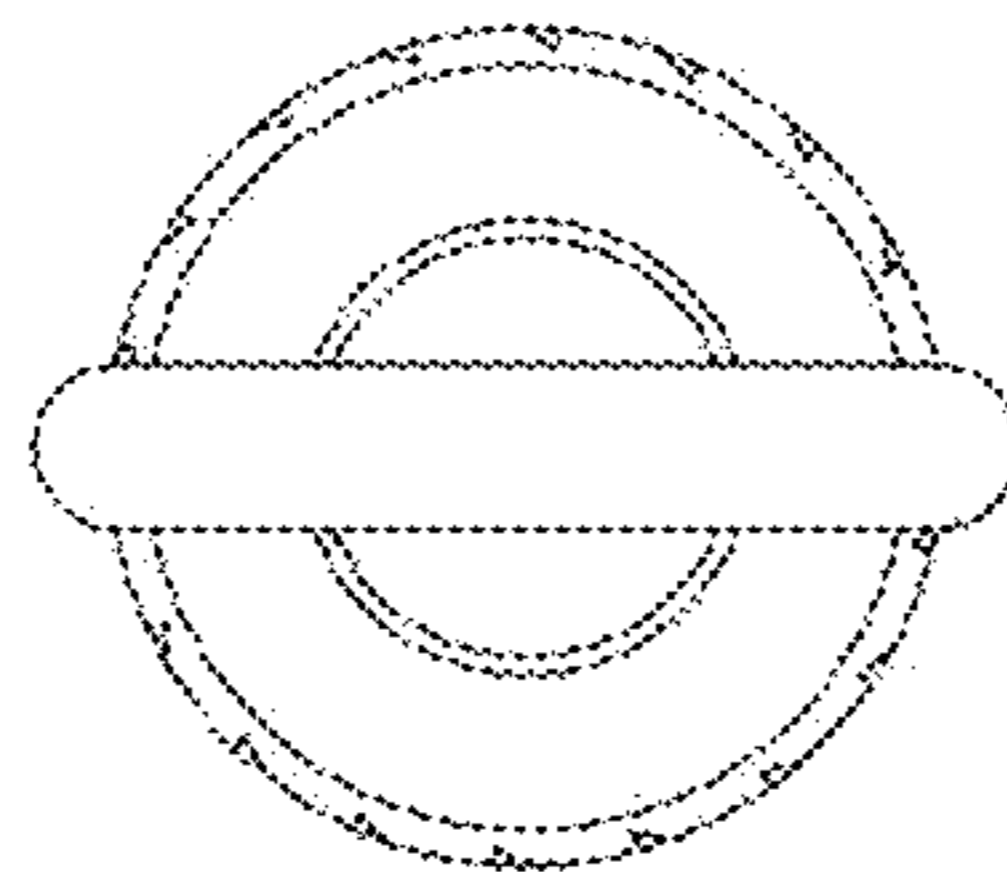


FIG. 3

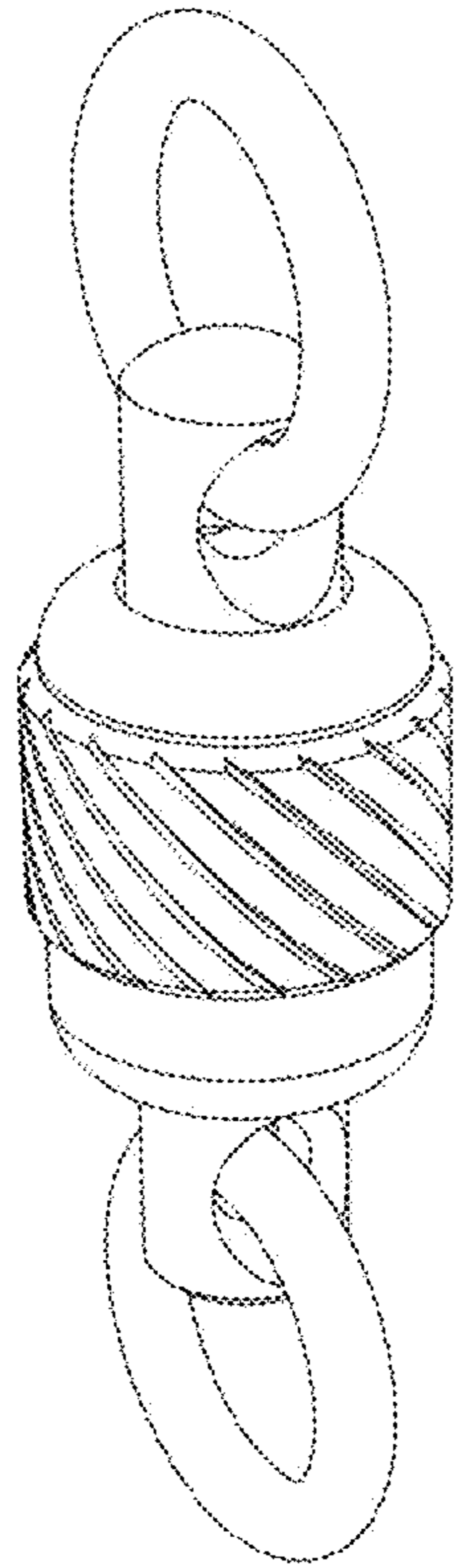


FIG. 4

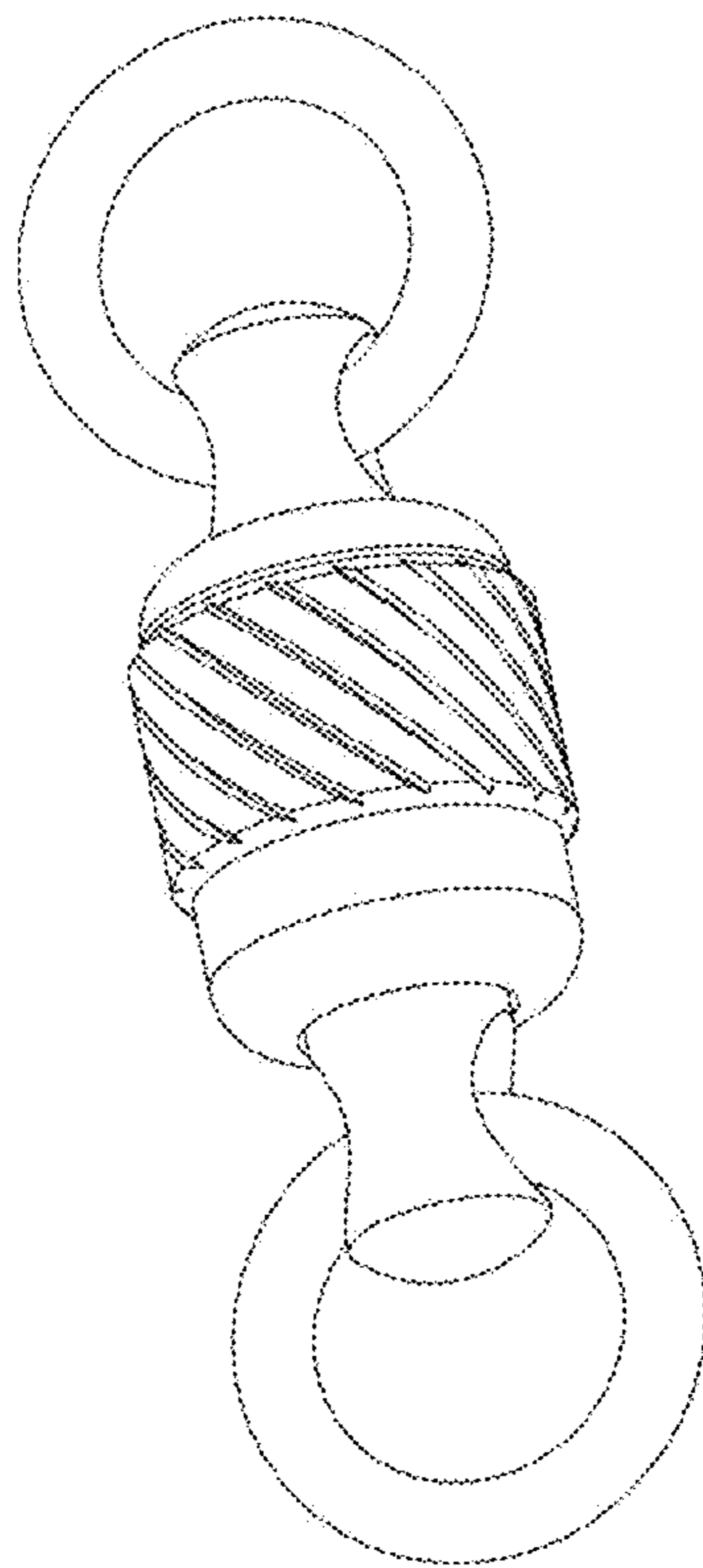


FIG. 5