



US00D987019S

(12) **United States Design Patent** (10) **Patent No.:** **US D987,019 S**
Manskie (45) **Date of Patent:** **** May 23, 2023**

(54) **NET CASTING DEVICE**

(71) Applicant: **Victor William Manskie**, Point Vernon (AU)

(72) Inventor: **Victor William Manskie**, Point Vernon (AU)

(**) Term: **15 Years**

(21) Appl. No.: **29/762,829**

(22) Filed: **Dec. 18, 2020**

(51) **LOC (14) Cl.** **22-05**

(52) **U.S. Cl.**
USPC **D22/134**

(58) **Field of Classification Search**
USPC D22/134, 121-122
CPC A21C 1/02; A23N 1/00; A23N 1/02; A47J 19/023; A47J 43/04; A47J 43/25; A47J 43/27; A47J 43/042; A47J 43/044; A47J 43/046; A47J 43/075; A47J 43/0722; A47J 43/0727; A47J 45/067; A47J 45/077; B01F 3/00; B01F 3/0807; B01F 3/0853; B01F 13/0059; B01F 13/0064; B02C 1/08; B02C 2/04; B02C 4/42; B02C 4/142; B02C 4/143; B02C 4/423; B02C 13/1835; B28C 5/10; B28C 5/12; B28C 5/14; B28C 5/16; B29C 66/71; B29C 65/00; B29C 66/73921; B29C 66/53461; B29C 51/10; B29C 66/131; B29C 49/0005; Y10T 428/1352; Y10T 428/1303; B65D 2543/00296; B65D 81/3453; B65D 2543/00537; B65D 2543/00092; B65D 1/34; B65D 2543/00194; B65D 2585/366; B65D 85/36; B65D 2543/00101; B65D 21/0233; B65D 1/36; B65D 81/2076; B65D 2543/00648; B65D 25/04; B65D 2543/00694; B65D 51/20; B65D 79/005; B65D 75/5805; B65D

(Continued)

(56) **References Cited**

U.S. PATENT DOCUMENTS

3,205,904 A * 9/1965 Kreachbaum A45B 19/00 135/15.1
4,007,753 A * 2/1977 DeMarco A45B 19/10 135/25.33

(Continued)

FOREIGN PATENT DOCUMENTS

CN 201830505861.4 * 9/2018
CN 201830686978.7 * 11/2018

OTHER PUBLICATIONS

FrancisTurbineRunner, posted Apr. 29, 2014 [online], [retrieved Oct. 6, 2022]. Retrieved from internet, <https://grabcad.com/library/francis-turbine-runner-1> (Date: 2022) (Year: 2014).*

(Continued)

Primary Examiner — Christian P. McLean
Assistant Examiner — Kristopher Michael Blechschiidt
(74) *Attorney, Agent, or Firm* — Eric Karich; Karich & Associates

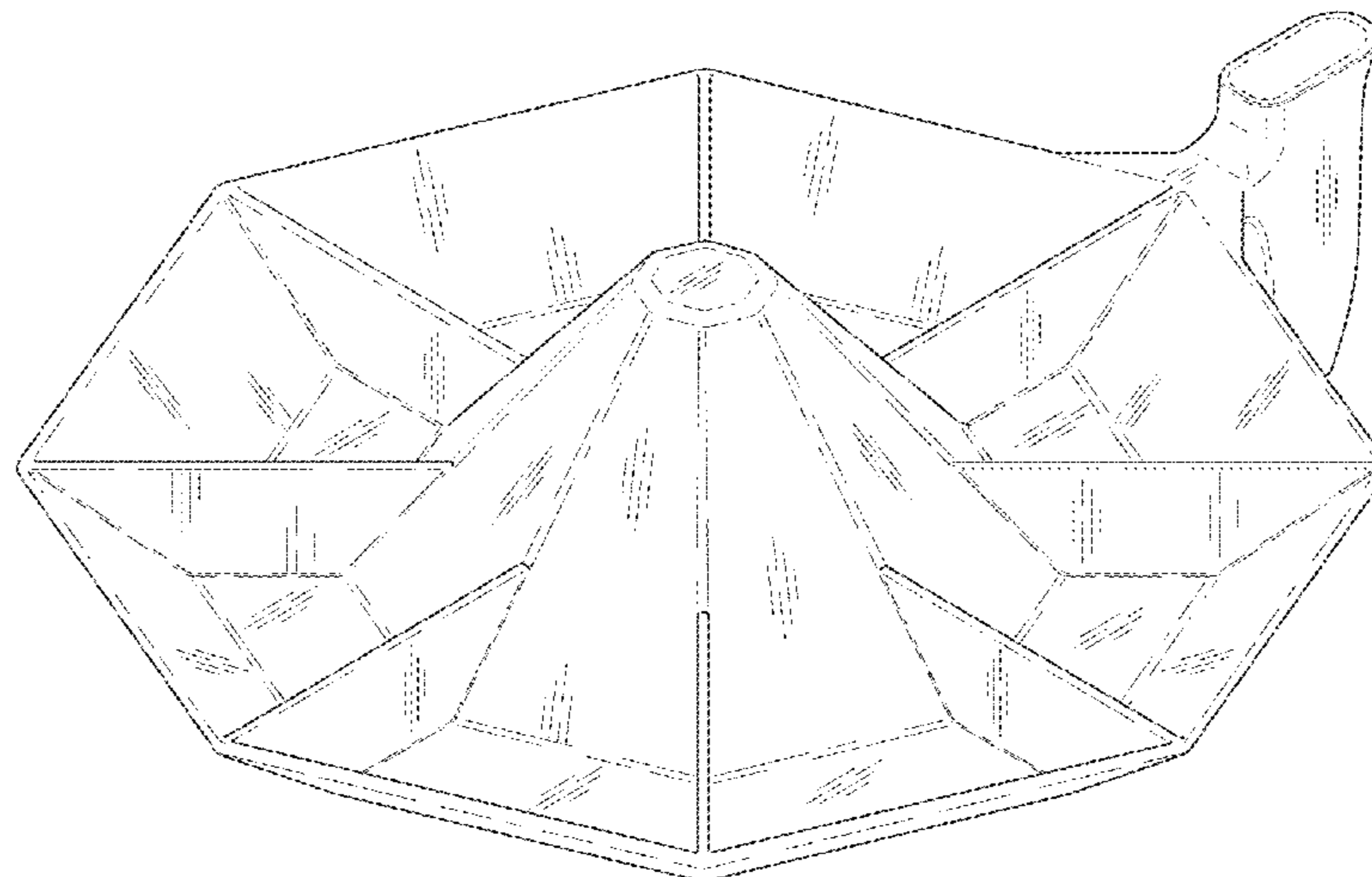
(57) **CLAIM**

The ornamental design for a net casting device, as shown and described.

DESCRIPTION

FIG. 1 is a perspective view of a net casting device, showing the new design;
FIG. 2 is a front elevational view thereof;
FIG. 3 is a rear elevational view thereof;
FIG. 4 is a left side elevational view thereof;
FIG. 5 is a right side elevational view thereof;
FIG. 6 is a top plan view thereof; and,
FIG. 7 is a bottom plan view thereof.

(Continued)



The broken line showing of the handle is for the purpose of illustrating portions of the net casting device that form no part of the claimed design.

1 Claim, 5 Drawing Sheets

(58) **Field of Classification Search**

CPC 81/24; B65D 81/3205; B65D 2581/3498;
B65D 65/38; B65D 77/003; B65D
2101/0023; B65D 17/163; B65D 43/02;
B65D 75/5833; B65D 2543/00361; B65D
2543/00425; B65D 1/0207; B65D
81/2015; B65D 2543/00203; B65D
2581/3406; B65D 1/0215; B65D
2101/0015; B65D 2543/0024; B65D
2543/00759; B65D 2543/00833; B65D
2101/0092; B65D 2543/00416; B65D
2543/00231; B65D 81/3261; B65D
75/327; B65D 2301/20; A01K 95/00;
A01K 97/00; B26B 3/00; B26B 27/007

See application file for complete search history.

(56)

References Cited

U.S. PATENT DOCUMENTS

D250,091 S * 10/1978 Jewell D9/755
D304,753 S * 11/1989 Whitesell D22/121
D348,095 S * 6/1994 Simonson D22/121
D415,244 S * 10/1999 Adams D23/202
D884,486 S * 5/2020 Chiang D9/761
D892,633 S * 8/2020 Chiang D9/761
2007/0062965 A1 * 3/2007 Anderson B65D 85/36
220/912
2018/0347809 A1 * 12/2018 Heilskov F23D 14/84

OTHER PUBLICATIONS

Plasticpro6sectional, posted Nov. 12, 2019[online], [retrieved Oct. 6, 2022]. Retrieved from internet, [https://www.amazon.com/Plasticpro-Sectional-Plastic-Serving-Platters/dp/B081D8XY7V?th=1\(Date: \)\(Year: 2019\).*](https://www.amazon.com/Plasticpro-Sectional-Plastic-Serving-Platters/dp/B081D8XY7V?th=1(Date:)(Year: 2019).*)

* cited by examiner

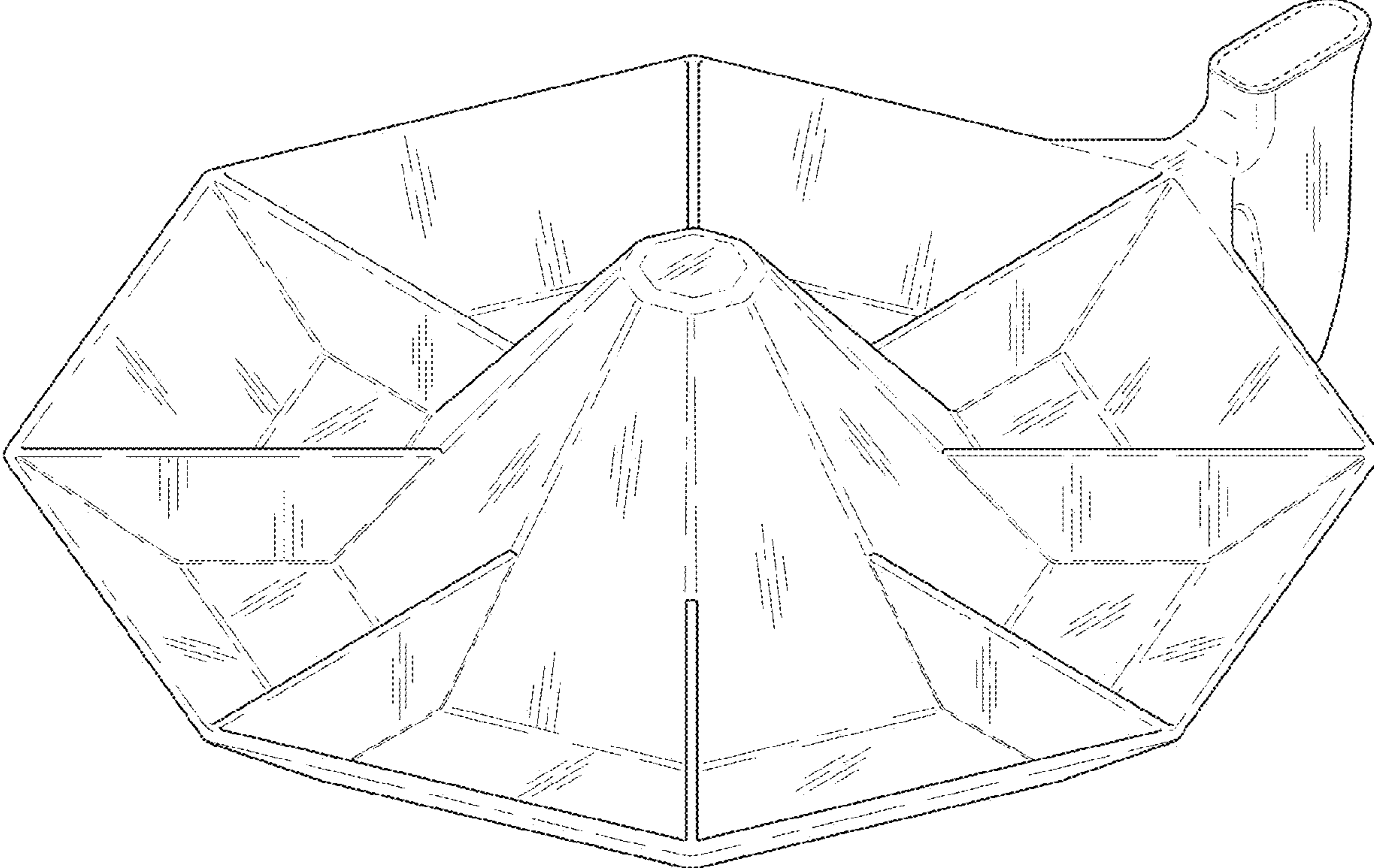


Fig. 1

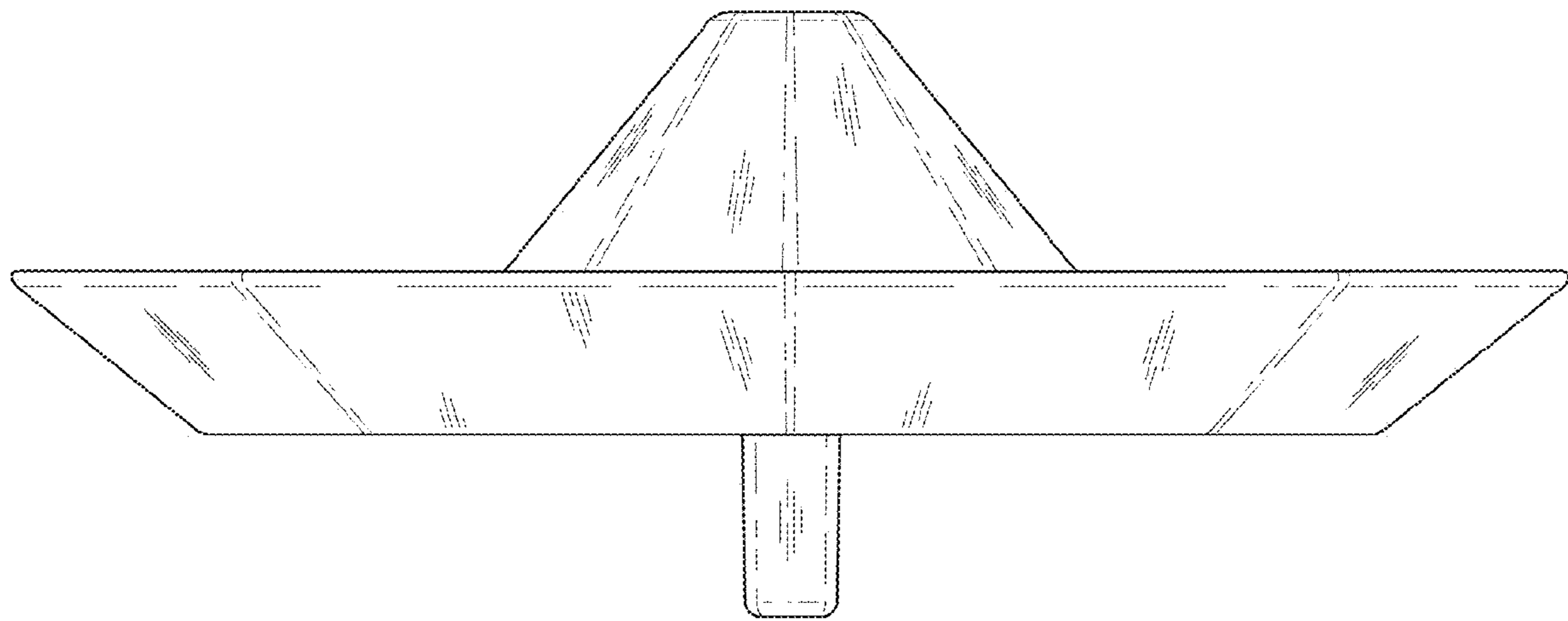


Fig. 2

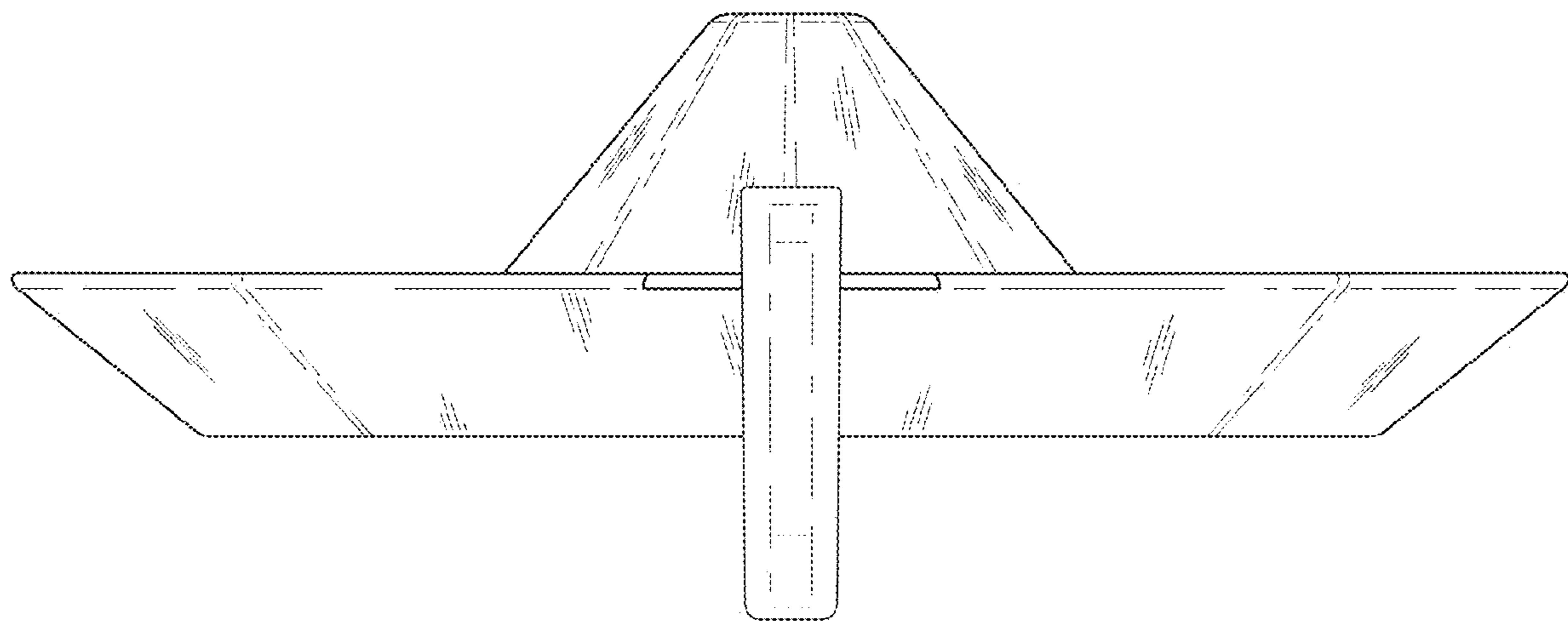


Fig. 3

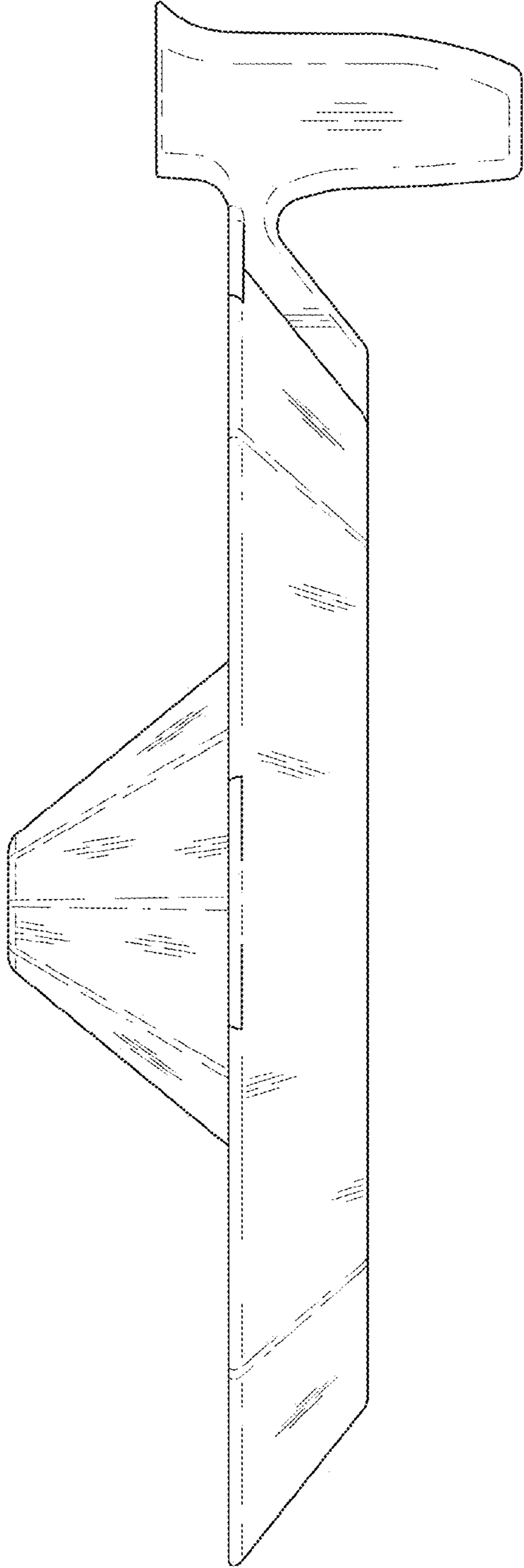


Fig. 4

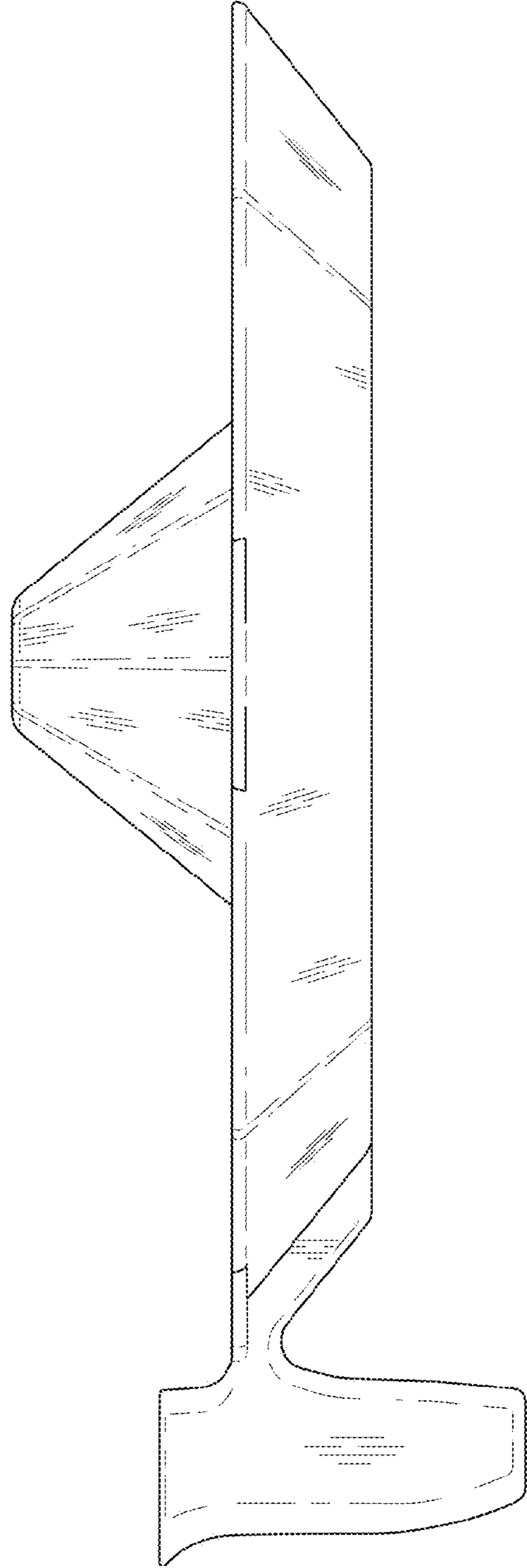


Fig. 5

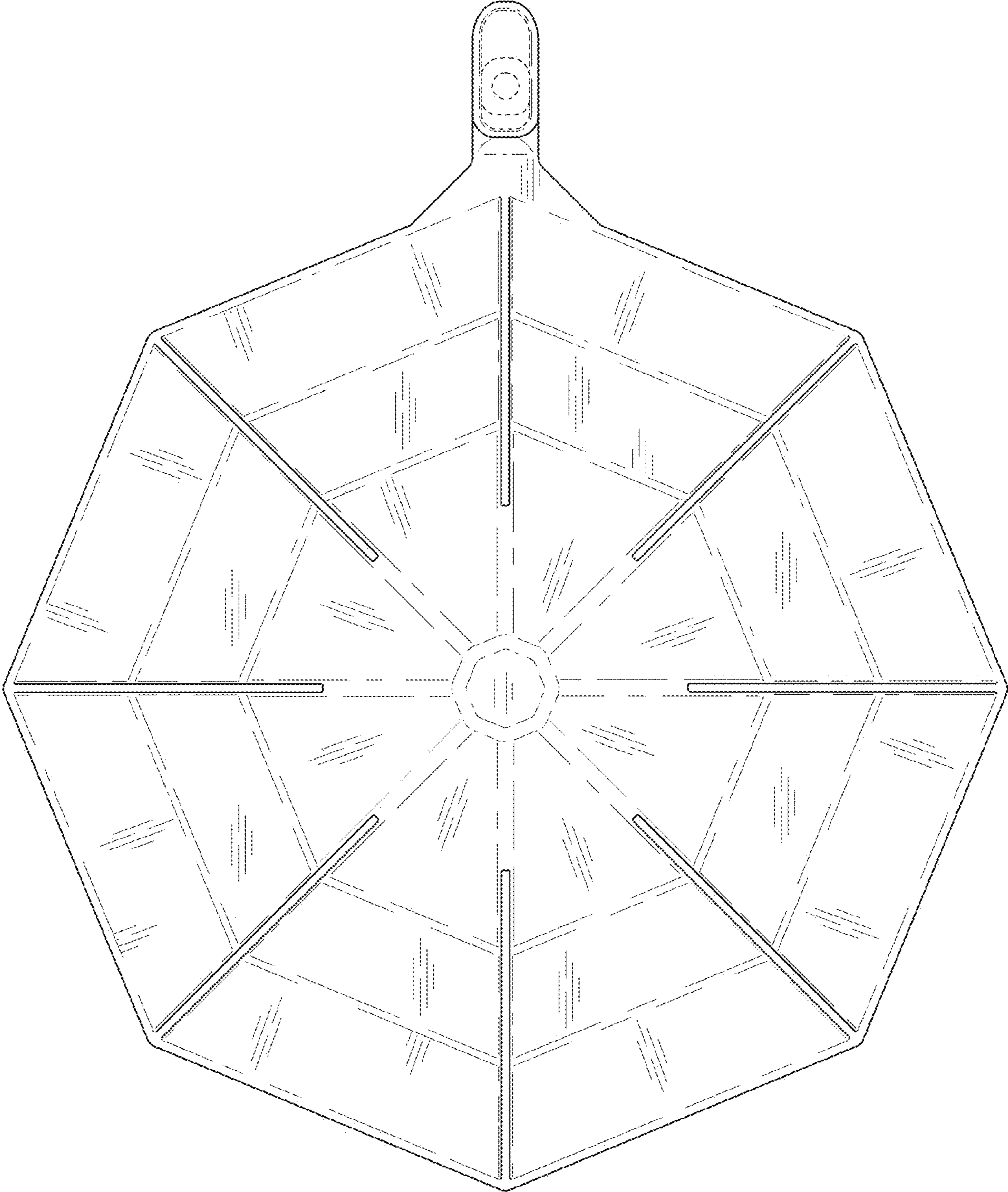


Fig. 6

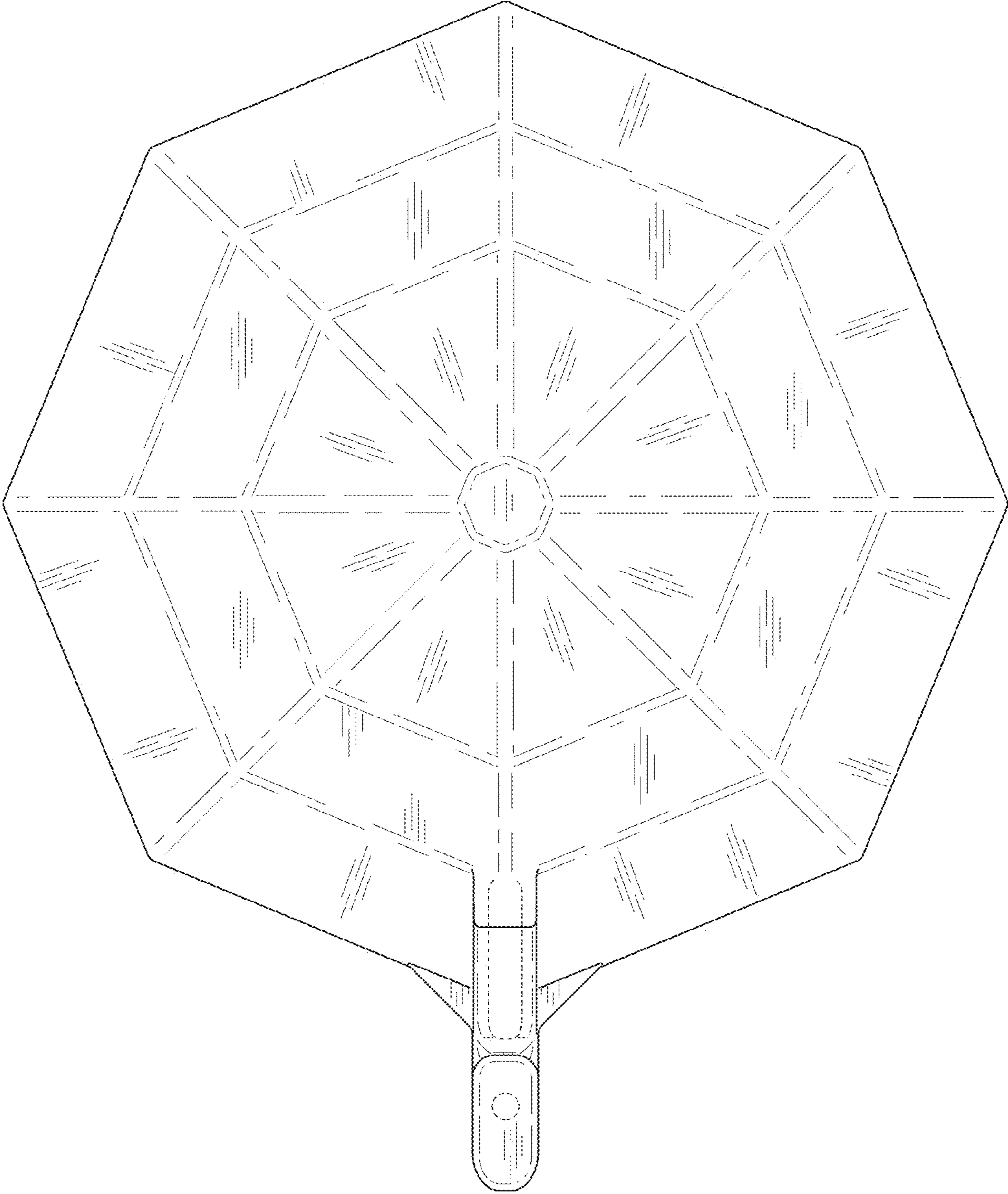


Fig. 7