



US00D987016S

(12) **United States Design Patent** (10) **Patent No.:** **US D987,016 S**
Powell et al. (45) **Date of Patent:** **** May 23, 2023**

(54) **INSECT TRAP DEVICE**

(57) **CLAIM**

(71) Applicants: **Kemper Powell**, Austin, TX (US);
Christopher Dacy, Austin, TX (US)

The ornamental design for an insect trap device, as shown and described.

(72) Inventors: **Kemper Powell**, Austin, TX (US);
Christopher Dacy, Austin, TX (US)

(73) Assignee: **RIMBAWORKS, LLC**, Austin, TX (US)

DESCRIPTION

(**) Term: **15 Years**

(21) Appl. No.: **29/771,603**

(22) Filed: **Feb. 24, 2021**

(51) **LOC (14) Cl.** **22-06**

(52) **U.S. Cl.**
USPC **D22/122**

(58) **Field of Classification Search**
USPC D22/119–120, 122–123; 43/107,
43/112–113, 121, 132.1; D7/624.1
(Continued)

FIG. 1 is a top-down view of a first embodiment of the insect trap device;
FIG. 2 is a bottom view of the first embodiment of the insect trap device;
FIG. 3 a top perspective view of the first embodiment of the insect trap device;
FIG. 4 is a side view of the first embodiment of the insect trap device;
FIG. 5 is a side view of the first embodiment of the insect trap device, as rotated from the side view shown in FIG. 4;
FIG. 6 is a second top perspective view of the first embodiment of the insect trap device, featuring a dotted line shown for reference with respect to FIG. 7;
FIG. 7 is an interior side view of the first embodiment of the insect trap device, taken along the dotted line as shown in FIG. 6;
FIG. 8 is a top-down view of a second embodiment of the insect trap device;
FIG. 9 is a bottom view of the second embodiment of the insect trap device;
FIG. 10 a top perspective view of the second embodiment of the insect trap device;
FIG. 11 is a side view of the second embodiment of the insect trap device;
FIG. 12 is a side view of the second embodiment of the insect trap device, as rotated from the side view shown in FIG. 11;
FIG. 13 is a second top perspective view of the second embodiment of the insect trap device, featuring a dotted line shown for reference with respect to FIG. 14; and,
FIG. 14 is an interior side view of the second embodiment of the insect trap device, taken along the dotted line as shown in FIG. 15.

(56) **References Cited**

U.S. PATENT DOCUMENTS

3,795,999 A * 3/1974 Tabita A01M 1/2066
D22/122
3,908,302 A * 9/1975 Carr A01M 1/02
43/121

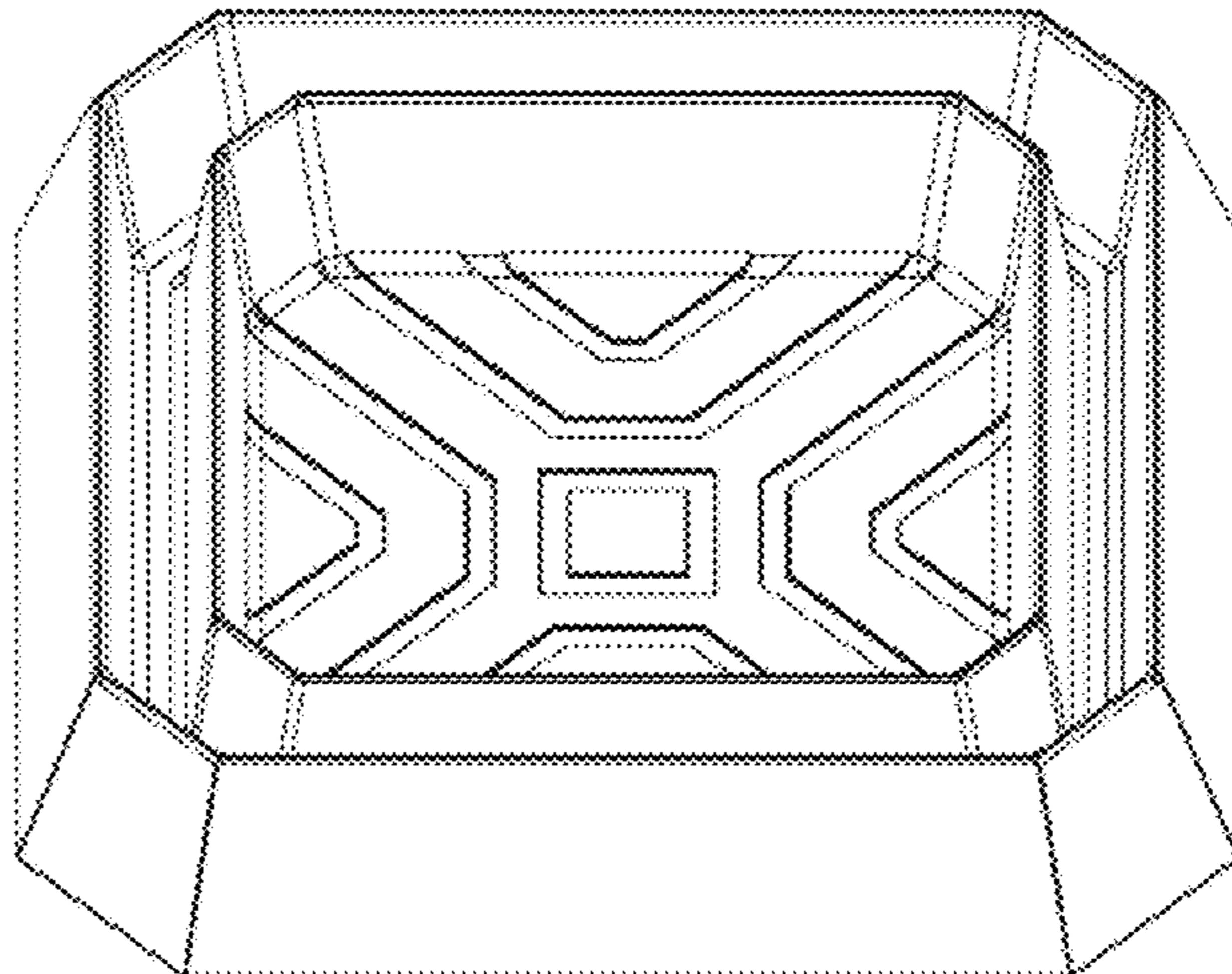
(Continued)

OTHER PUBLICATIONS

https://www.amazon.com/Bed-Bug-Trap-Interceptors-Interceptor/dp/B0853FJ6R2/ref=sr_1_36?crd=Z7ZOTPEL1L2D&keywords=insect%2Btrap%2Btray&qid=1666214153&qu=eyJxc2MiOilwLjA wliwicXNhjoiMC4wMCIslnFzcCI6ljAuMDAifQ%3D%3D&sprefix=insect%2Btrap%2Btray%2Caps%2C77&sr=8-36&th=1 (Year: 2020).*

Primary Examiner — Catherine R Oliver-Garcia
(74) *Attorney, Agent, or Firm* — Michelle C. Fullmer;
FisherBroyles, LLP

(Continued)



The dotted lines shown in FIG. 6 and FIG. 13 are shown for purposes of illustration, and do not constitute part of the claimed design.

1 Claim, 10 Drawing Sheets

(58) **Field of Classification Search**

CPC A01M 1/04; A01M 1/08; A01M 1/10;
A01M 1/106; A01M 1/223; A01M
1/2044; A01M 2200/012

See application file for complete search history.

(56) **References Cited**

U.S. PATENT DOCUMENTS

D275,875	S	*	10/1984	Woodruff	D22/122
D306,197	S	*	2/1990	Demarest	D22/122
D313,641	S	*	1/1991	Caprioli	D22/119
D324,406	S	*	3/1992	Brefka	D22/122
D668,314	S	*	10/2012	MacKay	D22/122
D722,128	S	*	2/2015	Wang	D22/122
10,349,647	B2	*	7/2019	Kashima	A01M 1/2044
D855,743	S	*	8/2019	Falco, Jr.	D22/122
D877,850	S	*	3/2020	Sanford	D22/122
D884,117	S	*	5/2020	Sanford	D22/122
D898,862	S	*	10/2020	Barnes	D22/122
2015/0173339	A1	*	6/2015	Stier	A01M 1/103 43/107

* cited by examiner

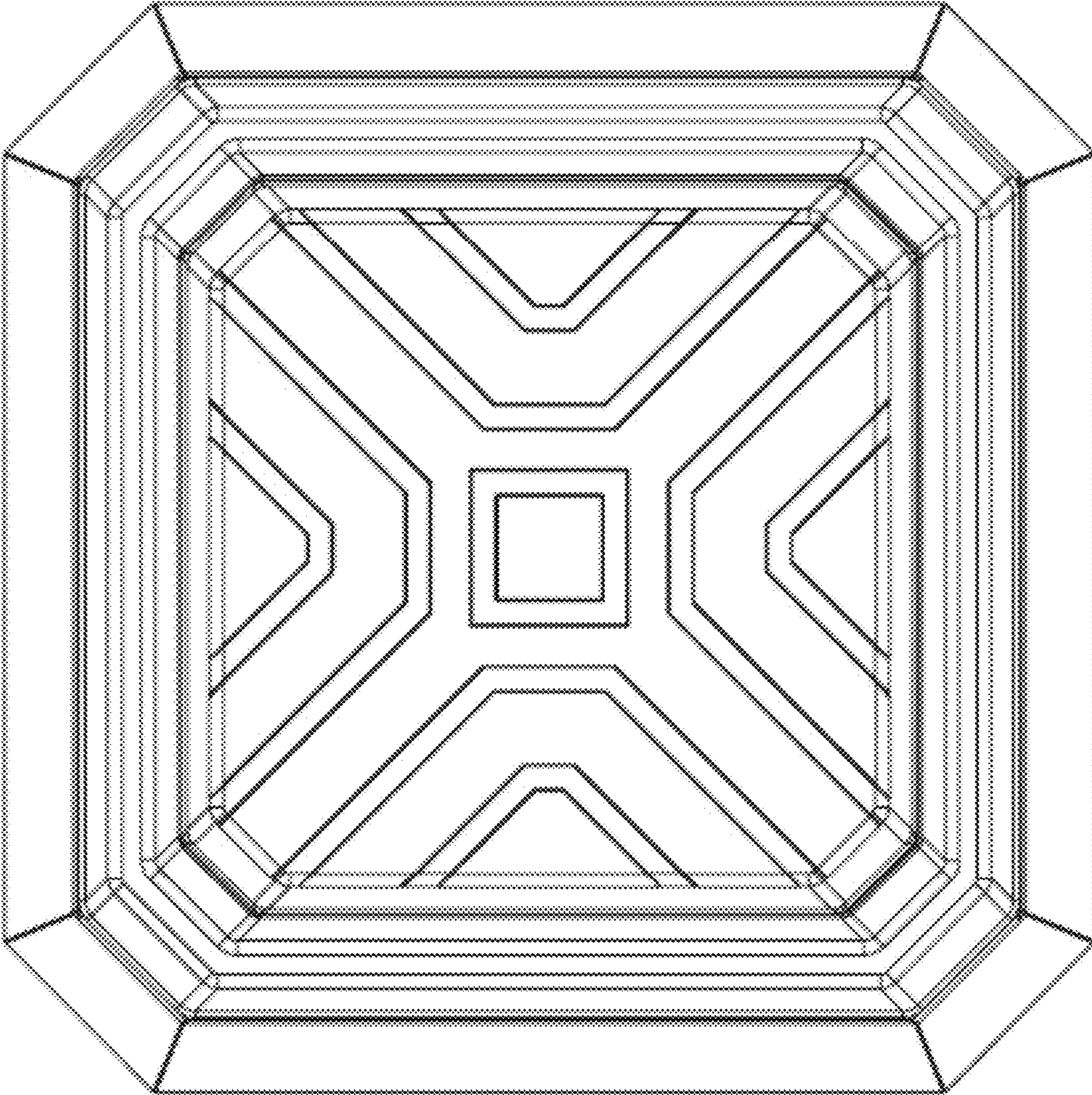


FIG. 1

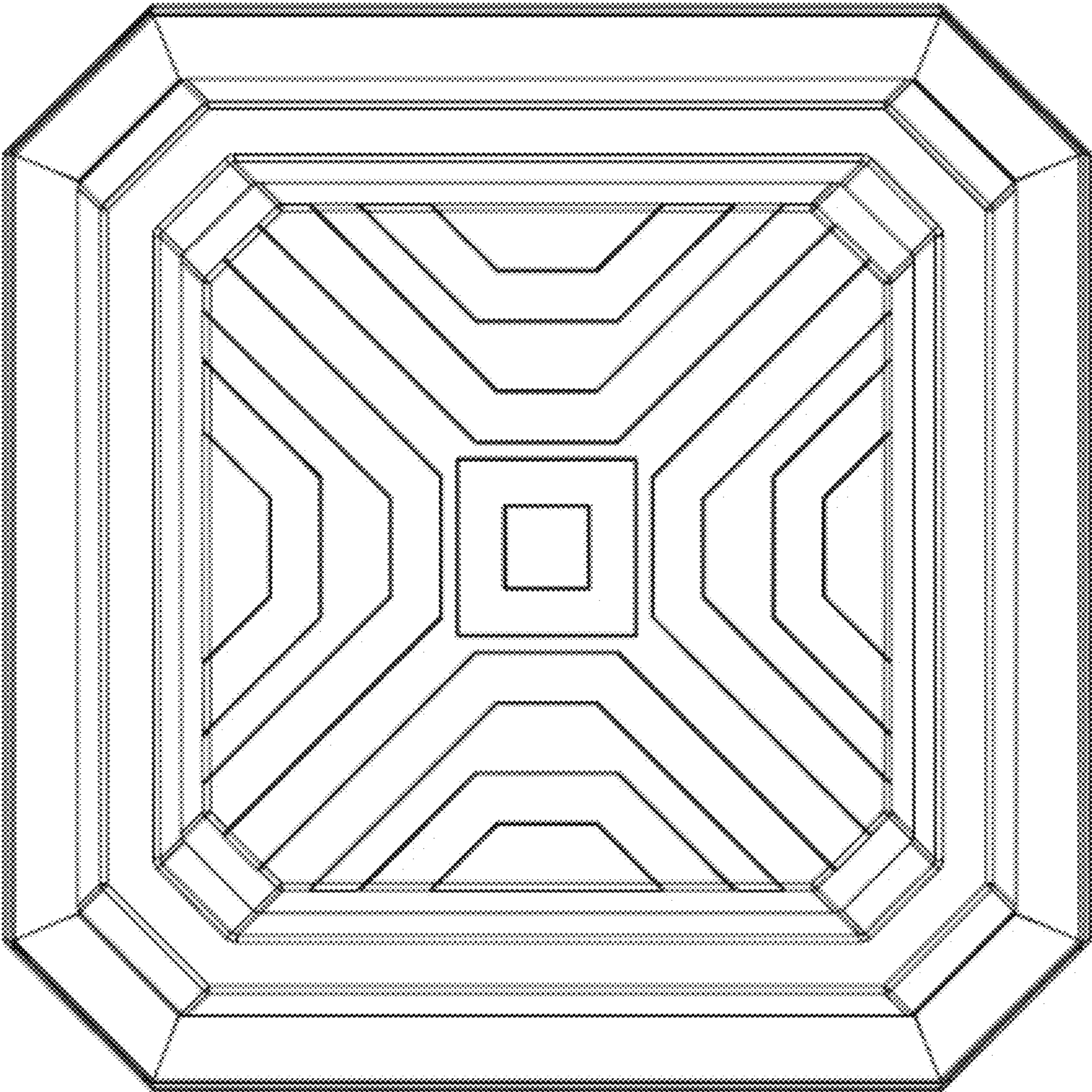


FIG. 2

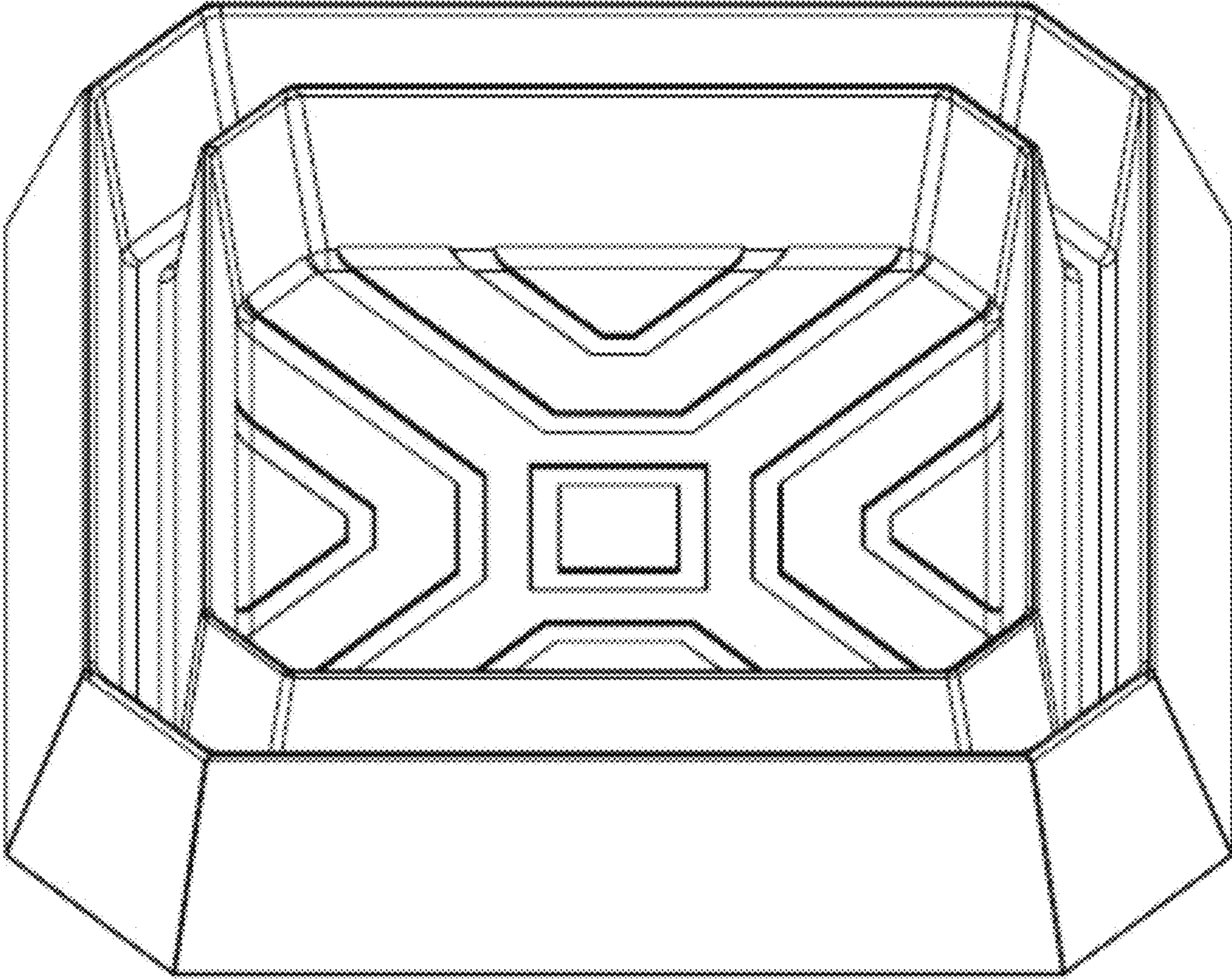


FIG. 3



FIG. 4

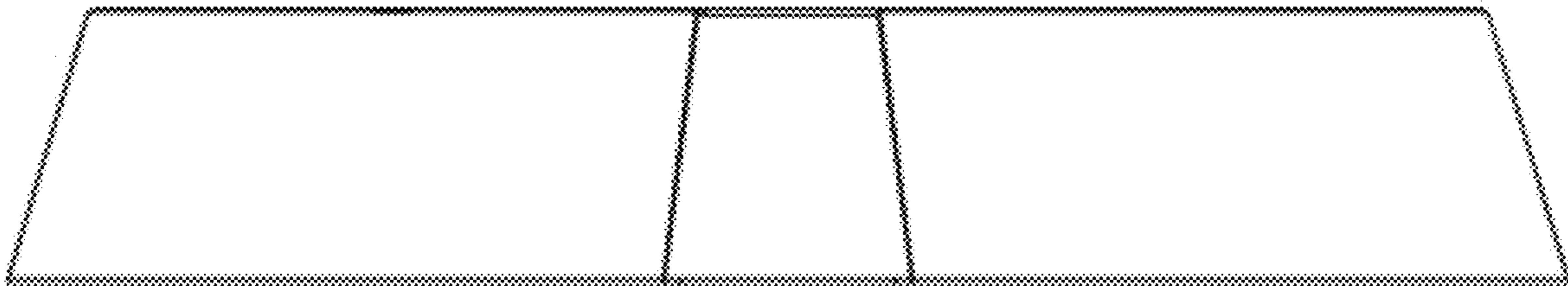


FIG. 5

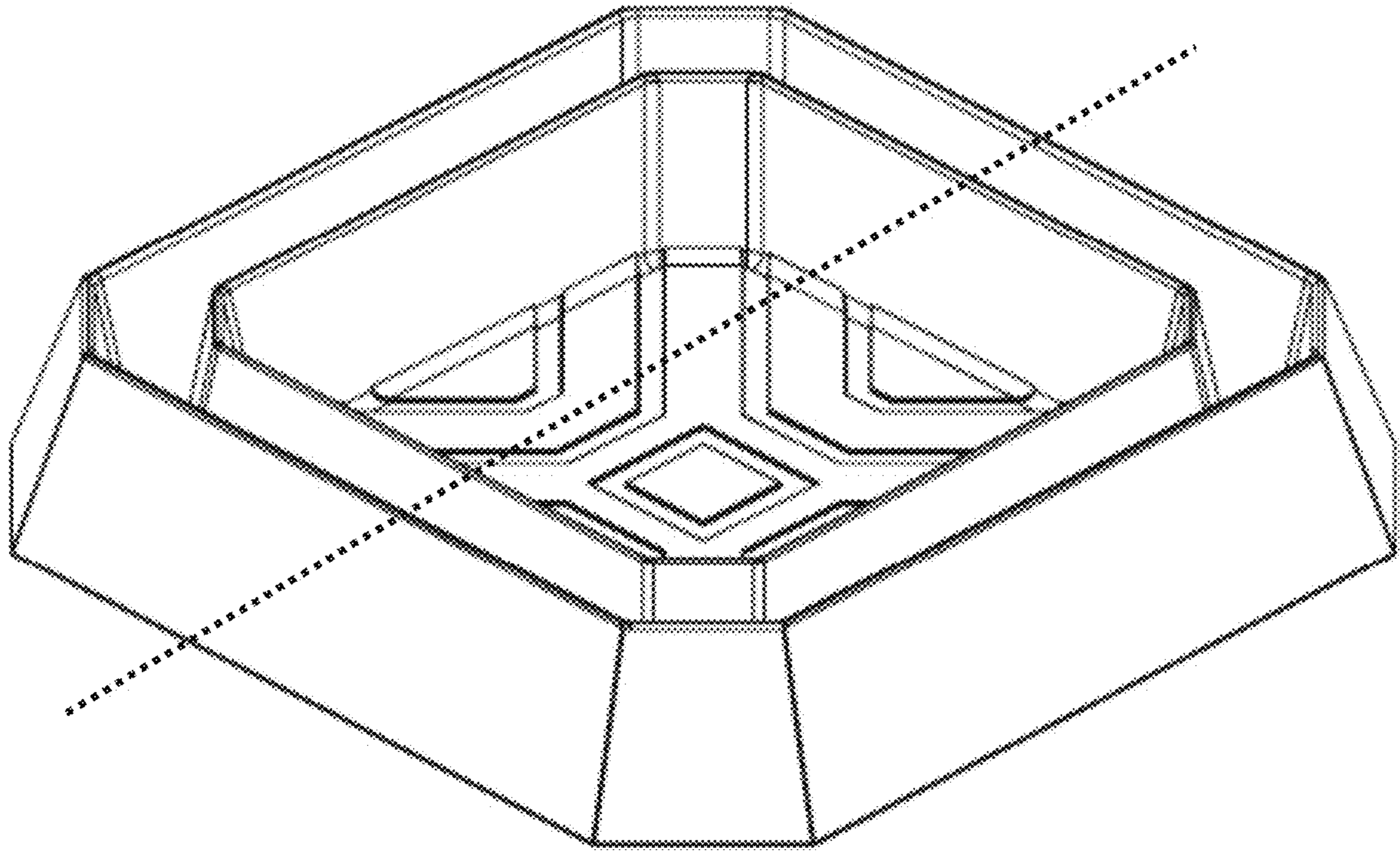


FIG. 6



FIG. 7

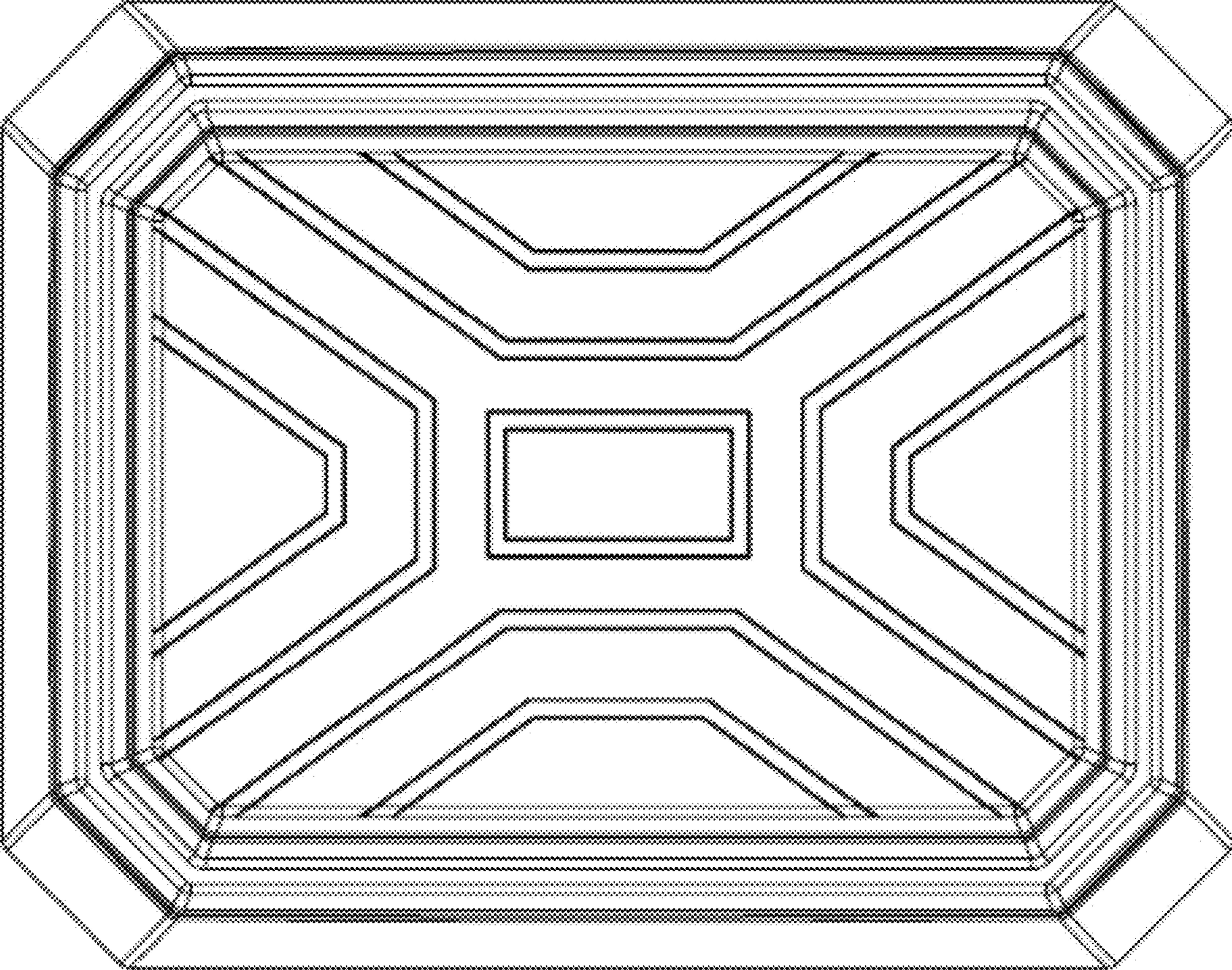


FIG. 8

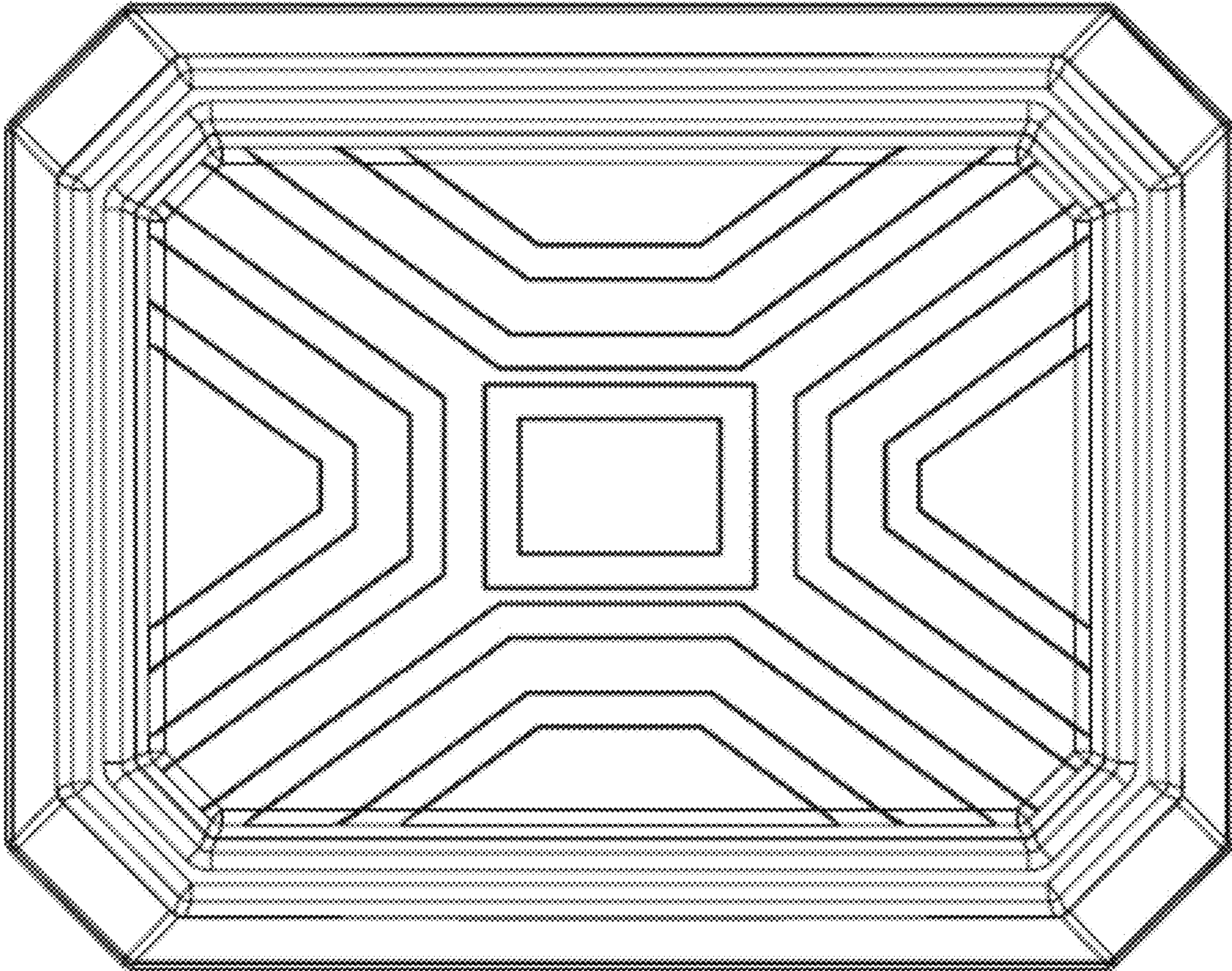


FIG. 9

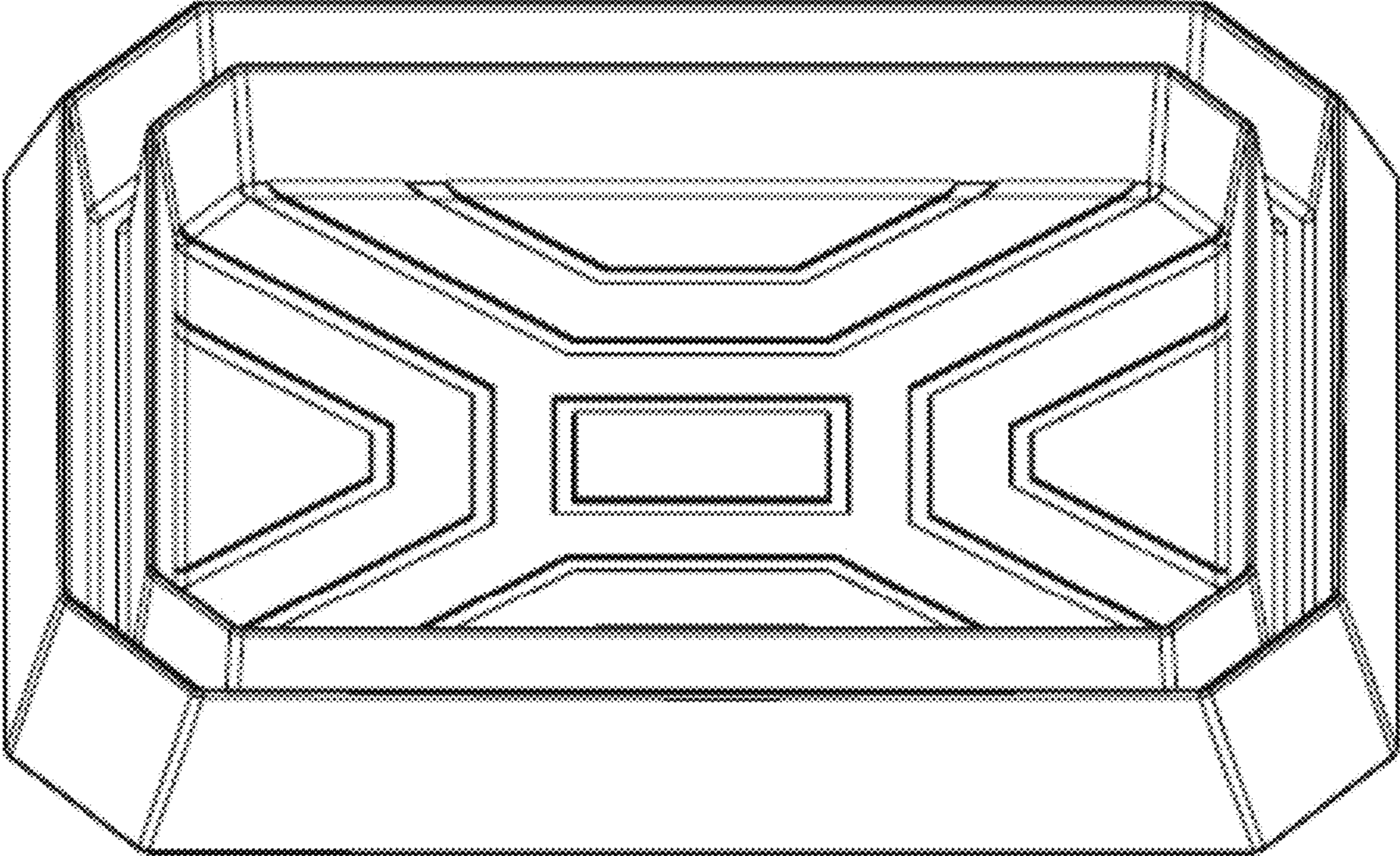


FIG. 10



FIG. 11



FIG. 12

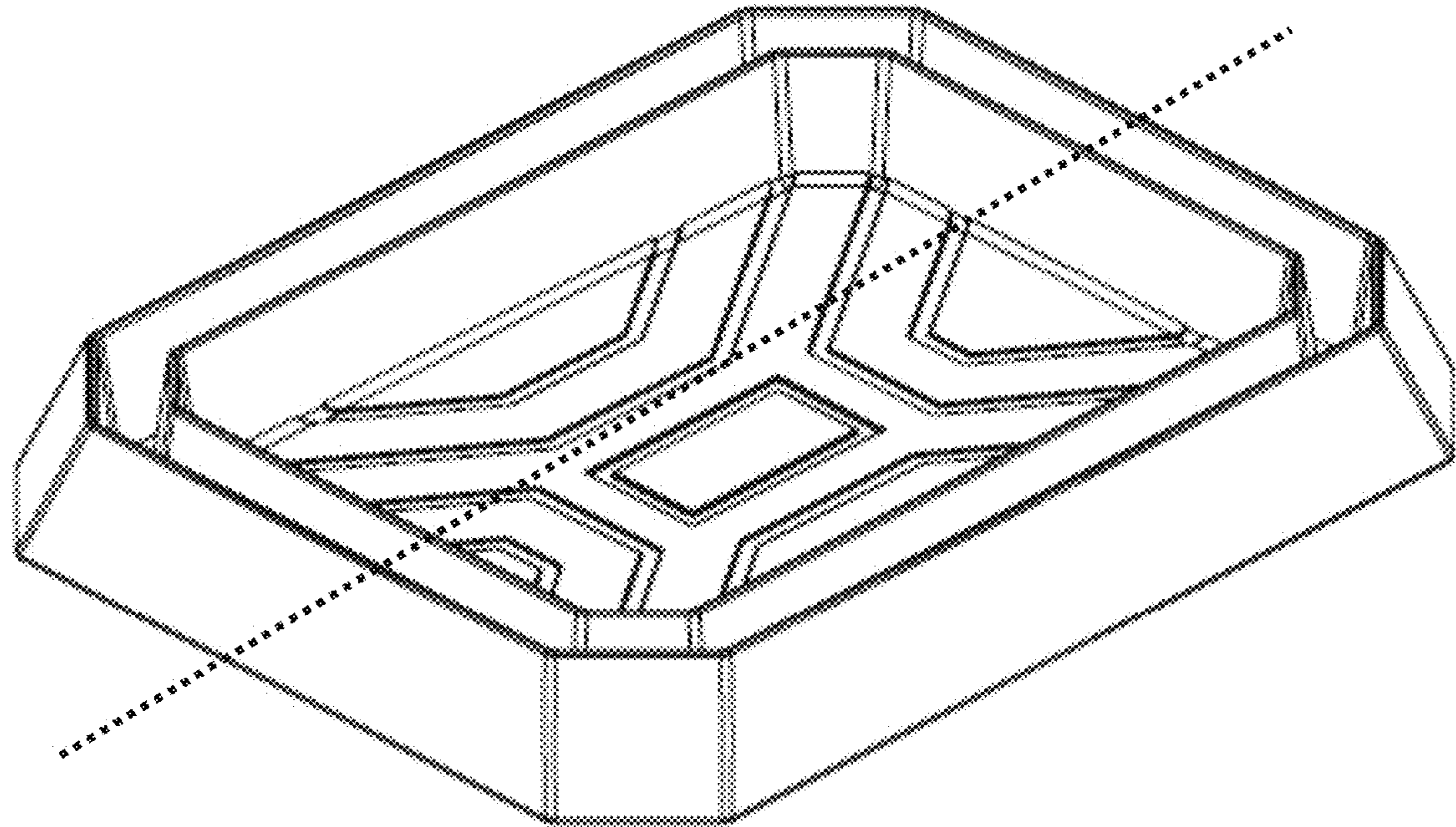


FIG. 13



FIG. 14