



US00D987015S

(12) **United States Design Patent**
Yuan

(10) **Patent No.:** **US D987,015 S**

(45) **Date of Patent:** **** May 23, 2023**

(54) **MOUSETRAP**

(71) Applicant: **Yalong Yuan**, Guangzhou (CN)

(72) Inventor: **Yalong Yuan**, Guangzhou (CN)

(**) Term: **15 Years**

(21) Appl. No.: **29/784,327**

(22) Filed: **May 19, 2021**

(51) **LOC (14) Cl.** **22-06**

(52) **U.S. Cl.**
USPC **D22/119**

(58) **Field of Classification Search**
USPC D22/119; 43/58, 60-61, 69, 81
CPC A01M 23/02; A01M 23/24; A01M 23/30;
A01M 23/245

See application file for complete search history.

(56) **References Cited**

U.S. PATENT DOCUMENTS

- 5,778,594 A * 7/1998 Askins A01M 23/18
43/61
- D405,149 S * 2/1999 Conover D22/119
- 8,230,641 B2 * 7/2012 Rich A01M 23/18
43/60
- D898,158 S * 10/2020 Wang D22/119
- 11,533,903 B2 * 12/2022 Kletzli A01M 23/18
- 2005/0178047 A1 * 8/2005 Aguilera A01M 23/18
43/61
- 2017/0202205 A1 * 7/2017 Wu A01M 23/18

OTHER PUBLICATIONS

https://www.amazon.com/dp/B0B3F3X8RZ?pd_rd_i=B0B3F3X8RZ&pf_rd_p=b000e0a0-9e93-480f-bf78-a83c8136dfcb&pf_rd_r=

G7TY9GBNY9PQBTNPM2Y6&pd_rd_wg=66riw&pd_rd_w=kfsbi
&pd_rd_r=35d1427f-3be5-47b3-b9d8-5cd55a3fc076&th=1—
earliest review listed Jul. 16, 2022 (Year: 2022).*
https://www.amazon.com/Chipmunk-Squirrel-Hamsters-Release-9x4-5x4-5/dp/B0B8J9QPMW/ref=sr_1_2?crd=2OB9VTEWLRRLFT&keywords=humane+rat+trap+chipmunk+rodent+trap+mouse+trap+squirrel+trap+small+live+animal+trap+mouse+voles+hampsters+live+cage+rat+mouse+cage+trap+for+mice+easy+to+catch+and+release&qid=673579002&sprefix=humane+rat+trap+chipmunk+rodent+trap+mouse+trap+squirrel+trap+small+live+animal+trap+mou+voles+hampsters+live+cage+rat+mouse+cage+trap+for+mice+easy+to+catch+and+release%2Caps%2C80&sr=8-2 (Year: 2022).*

* cited by examiner

Primary Examiner — Catherine R Oliver-Garcia
(74) *Attorney, Agent, or Firm* — Rumit Ranjit Kanakia

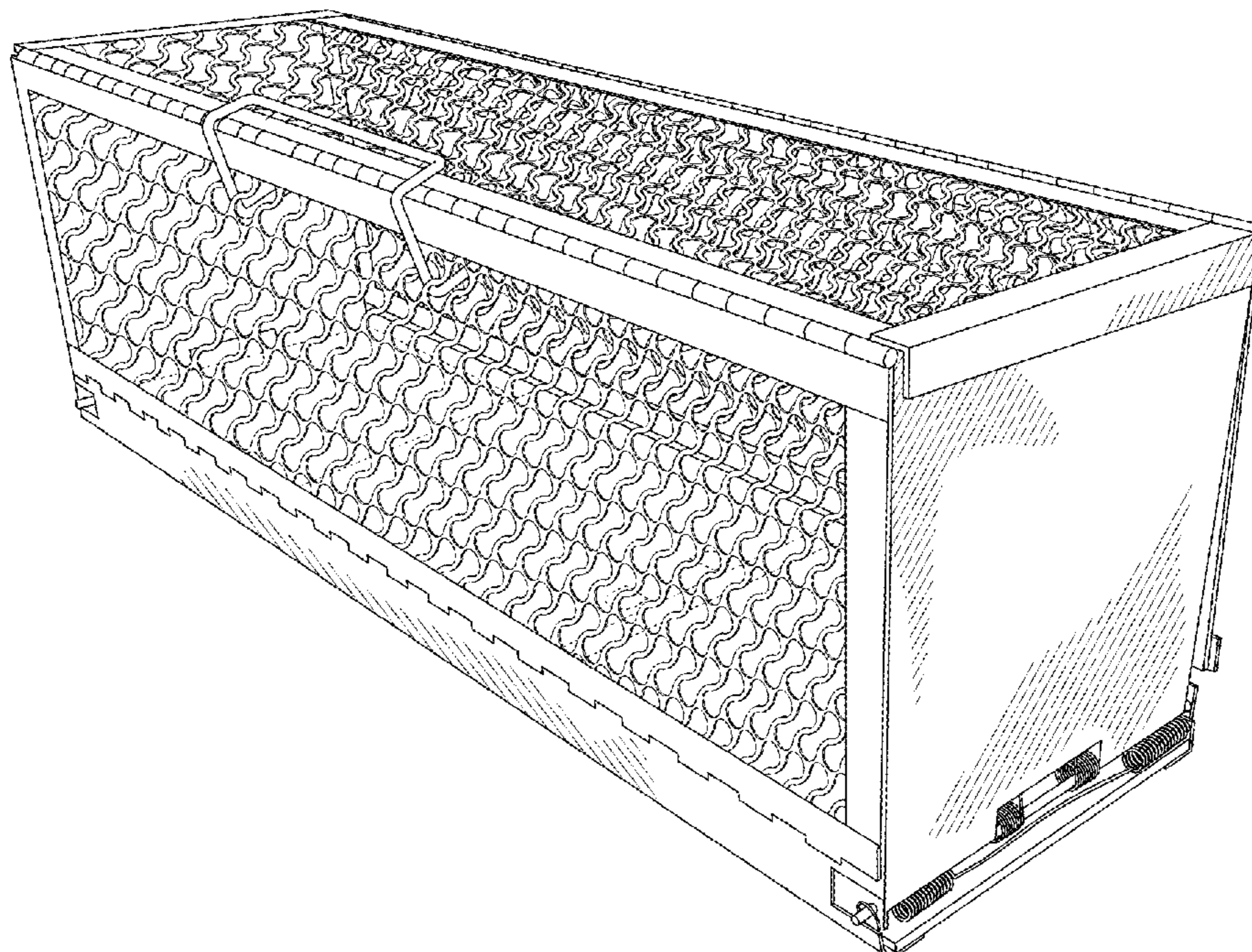
(57) **CLAIM**

I claim the ornamental design for a mousetrap, as shown and described.

DESCRIPTION

FIG. 1 is a front perspective view of a mousetrap showing my new design;
FIG. 2 is a front view thereof;
FIG. 3 is a rear view thereof;
FIG. 4 is a right side view thereof;
FIG. 5 is a left side view thereof;
FIG. 6 is a top view thereof;
FIG. 7 is a bottom view thereof; and,
FIG. 8 is another perspective view thereof.
The broken line showing of the inner components is included for the purpose of illustrating only and forms no part of the claimed design.

1 Claim, 8 Drawing Sheets



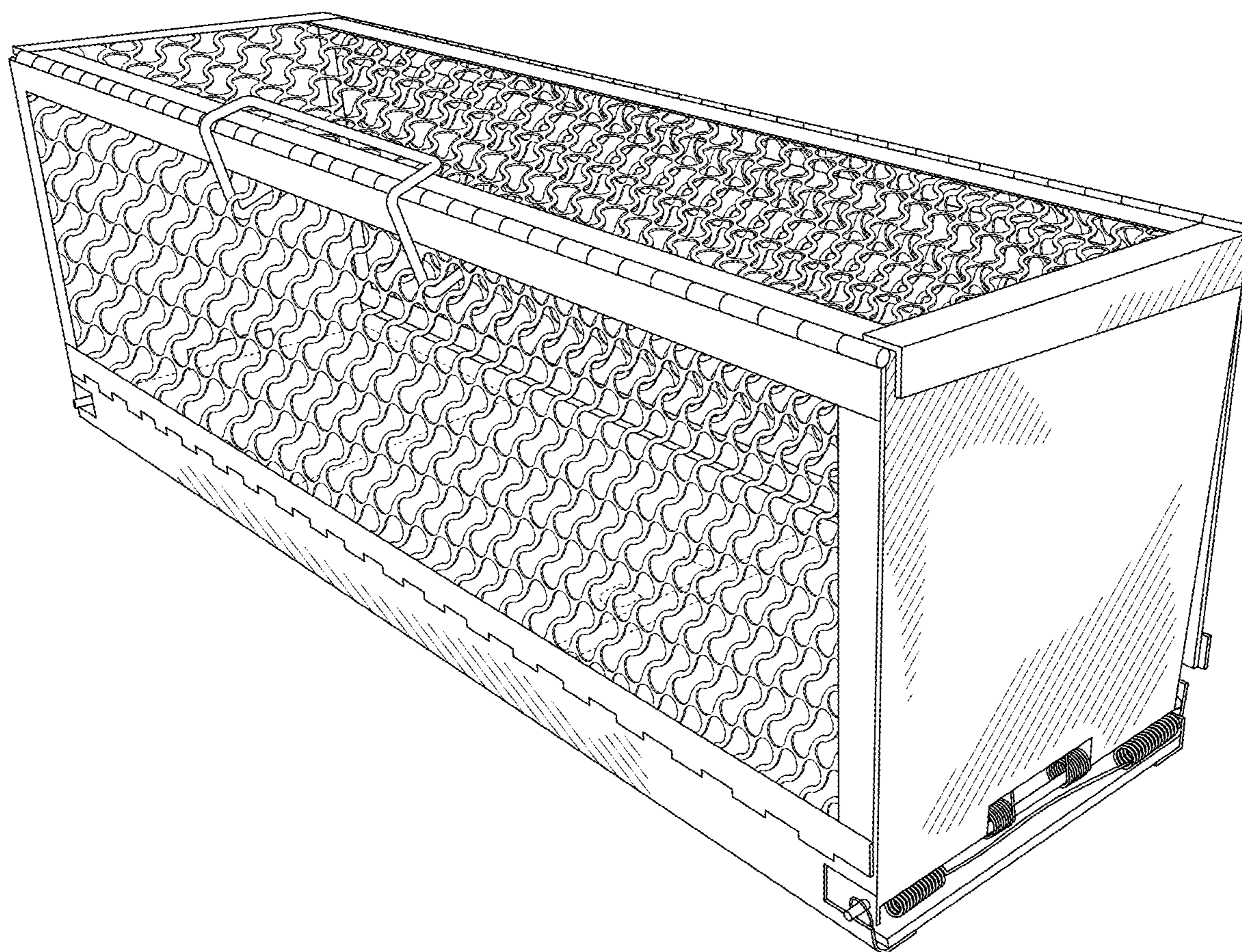


FIG. 1

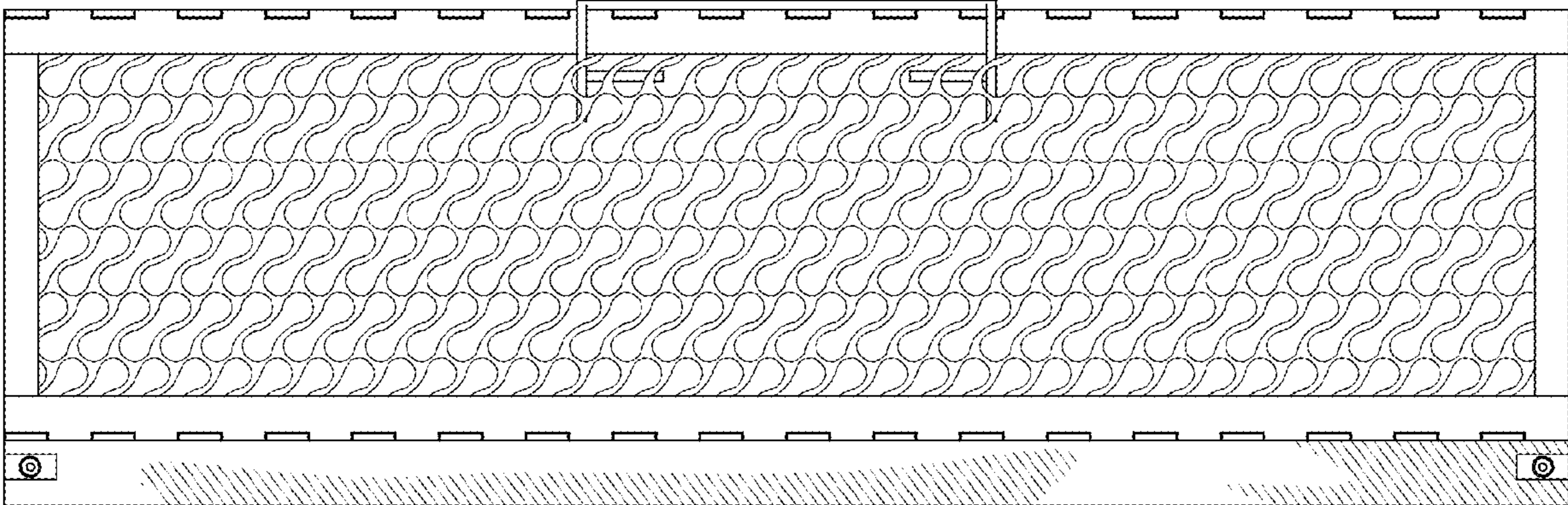


FIG. 2

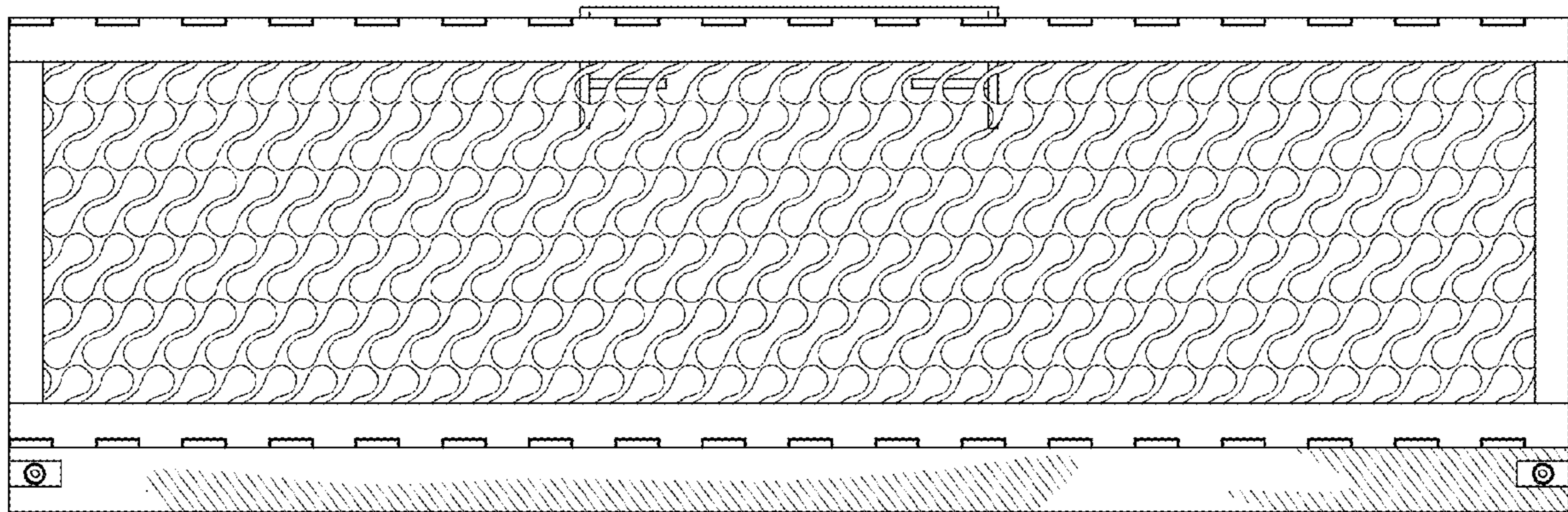


FIG. 3

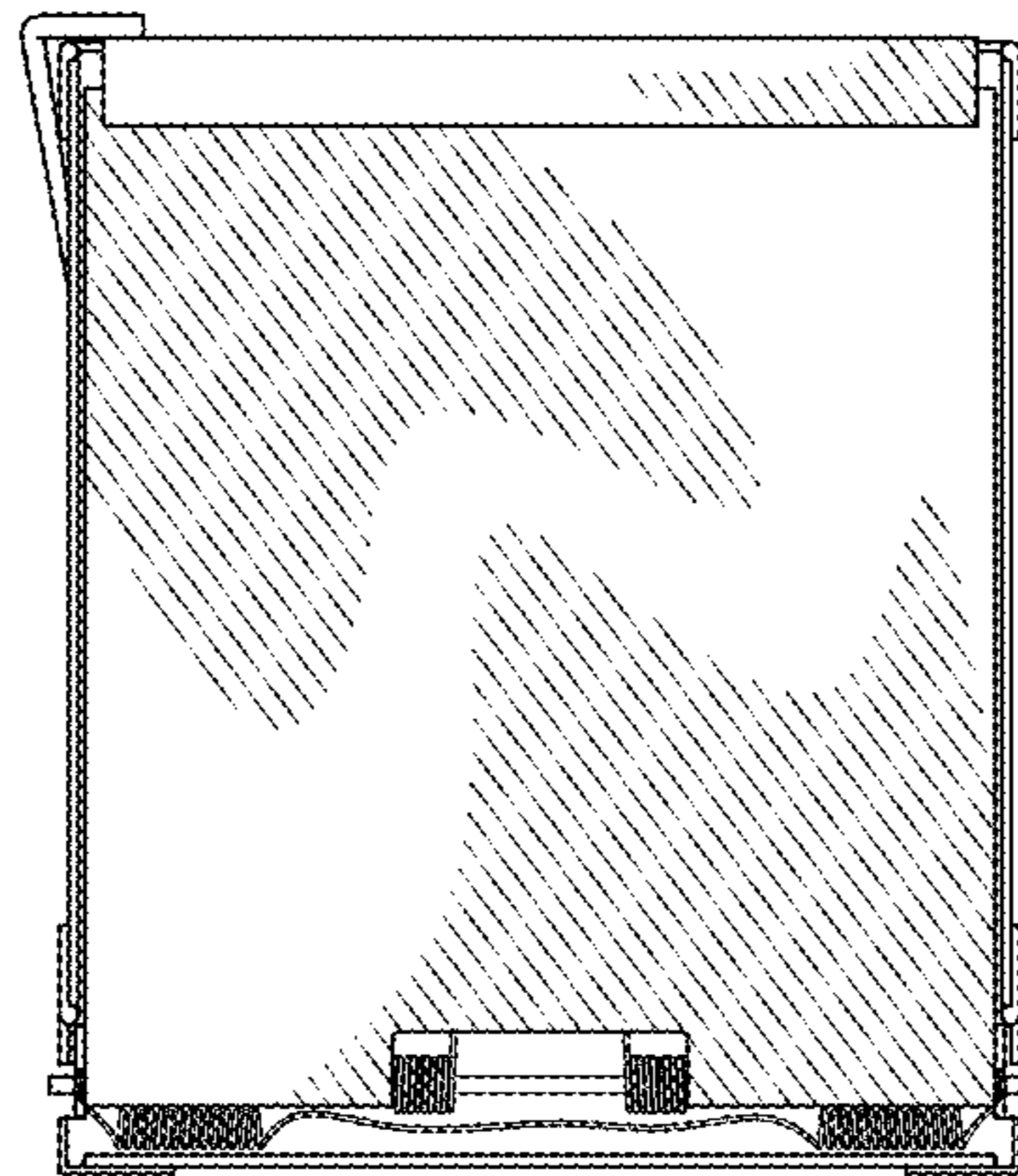


FIG. 4

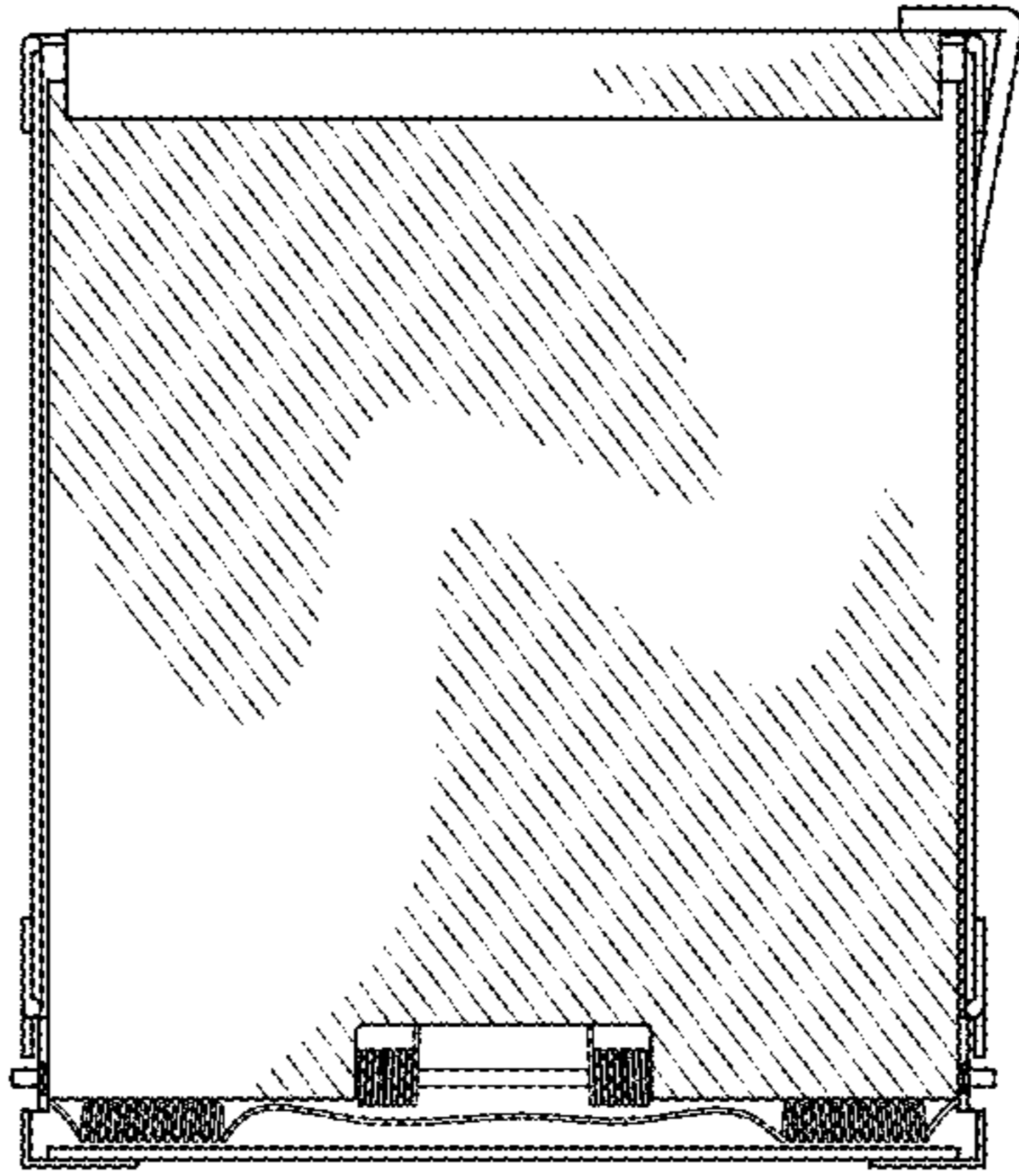


FIG. 5

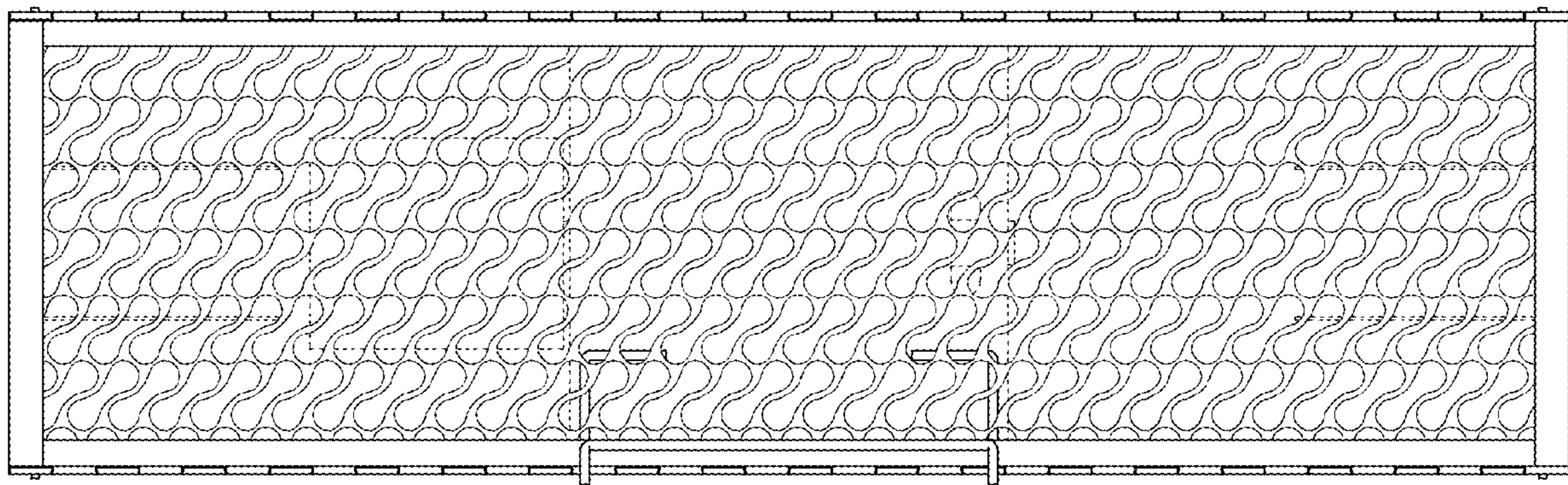


FIG. 6

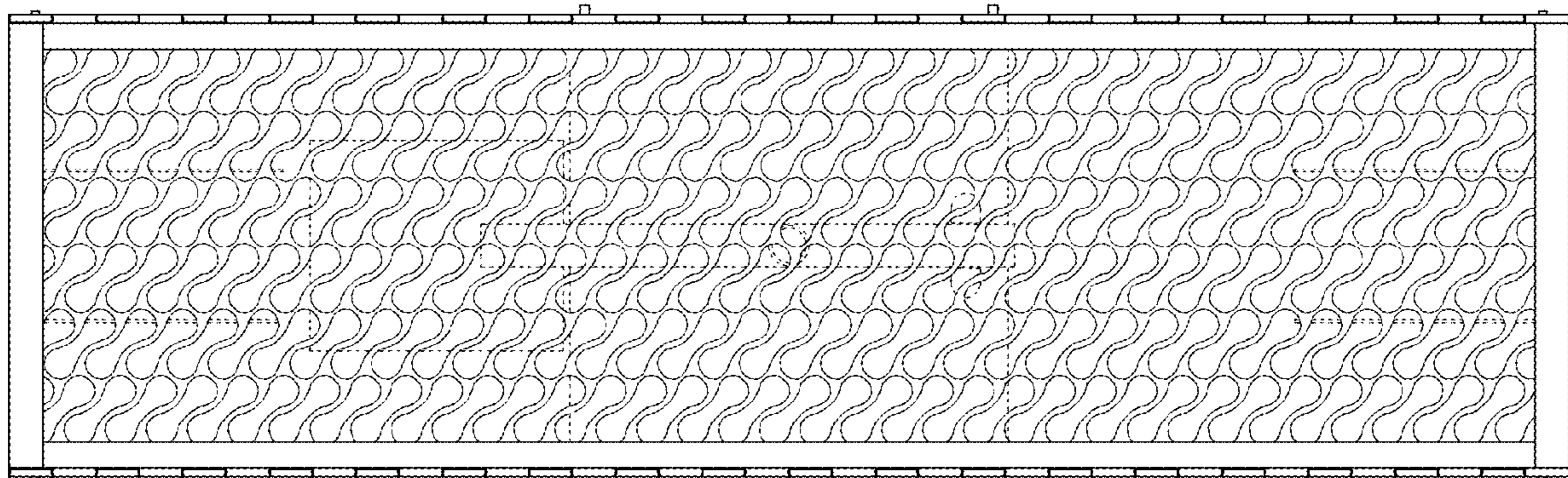


FIG. 7

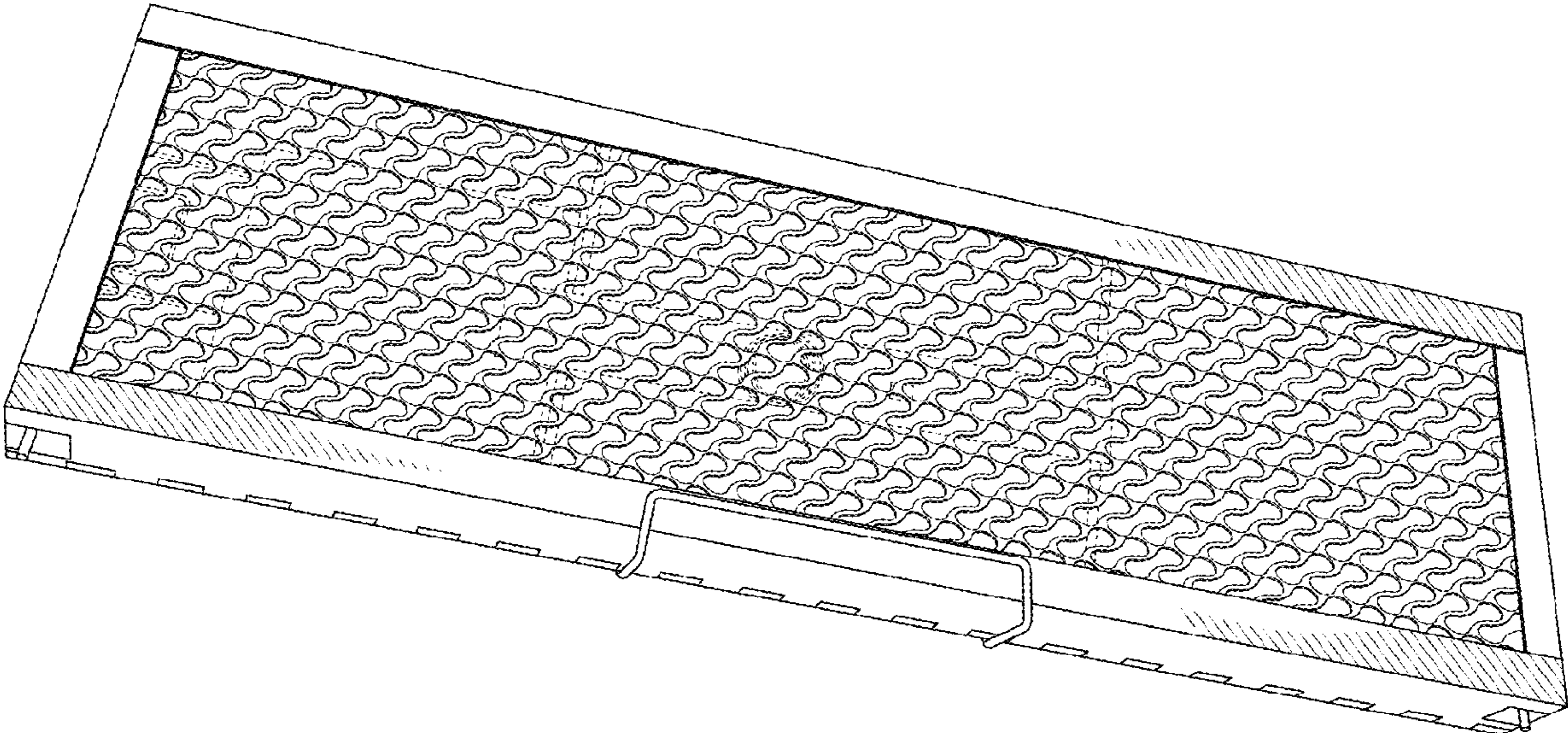


FIG. 8