



US00D987013S

(12) **United States Design Patent**  
**Roberson**

(10) **Patent No.:** **US D987,013 S**

(45) **Date of Patent:** **\*\* May 23, 2023**

(54) **OPTIC MOUNT FOR A FIREARM**

(57) **CLAIM**

(71) Applicant: **Arisaka LLC**, Apex, NC (US)

The ornamental design for an optic mount for a firearm, as shown and described.

(72) Inventor: **William Roberson**, Apex, NC (US)

(73) Assignee: **Arisaka LLC**, Apex, NC (US)

(\*\*) Term: **15 Years**

**DESCRIPTION**

(21) Appl. No.: **29/805,514**

(22) Filed: **Aug. 27, 2021**

(51) **LOC (14) Cl.** ..... **22-01**

(52) **U.S. Cl.**  
USPC ..... **D22/110**

(58) **Field of Classification Search**  
USPC ..... D22/108, 109, 110  
CPC ..... F41G 1/14; F41G 1/38; F41G 1/40; F41G 1/16; F41G 1/02; F41G 1/06  
See application file for complete search history.

FIG. 1 is a top isometric view of a first embodiment of an optic mount for a firearm;  
FIG. 2 is a bottom isometric view of the optic mount for a firearm shown in FIG. 1;  
FIG. 3 is a front elevational view of the optic mount for a firearm shown in FIG. 1;  
FIG. 4 is a right side elevational view of the optic mount for a firearm shown in FIG. 1;  
FIG. 5 is a rear elevational view of the optic mount for a firearm shown in FIG. 1;  
FIG. 6 is a left side elevational view of the optic mount for a firearm shown in FIG. 1;  
FIG. 7 is a top plan view of the optic mount for a firearm shown in FIG. 1;  
FIG. 8 is a bottom plan view of the optic mount for a firearm shown in FIG. 1;  
FIG. 9 is a top isometric view of a second embodiment of an optic mount for a firearm;  
FIG. 10 is a bottom isometric view of the optic mount for a firearm shown in FIG. 9;  
FIG. 11 is a front elevational view of the optic mount for a firearm shown in FIG. 9;  
FIG. 12 is a right side elevational view of the optic mount for a firearm shown in FIG. 9;  
FIG. 13 is a rear elevational view of the optic mount for a firearm shown in FIG. 9;  
FIG. 14 is a left side elevational view of the optic mount for a firearm shown in FIG. 9;  
FIG. 15 is a top plan view of the optic mount for a firearm shown in FIG. 9; and,  
FIG. 16 is a bottom plan view of the optic mount for a firearm shown in FIG. 9.  
The broken lines represent portions of the optic mount for a firearm that form no part of the claimed design.

(56) **References Cited**

**U.S. PATENT DOCUMENTS**

D573,443 S *	7/2008	Swan	.....	D8/343
D591,383 S *	4/2009	Bengtsson	.....	D22/110
D600,311 S *	9/2009	Swan	.....	D22/109
D603,927 S *	11/2009	Larsson	.....	D22/109
D849,871 S *	5/2019	McKillips	.....	D22/109
10,655,929 B2 *	5/2020	Stewart	.....	F41C 27/00

(Continued)

**OTHER PUBLICATIONS**

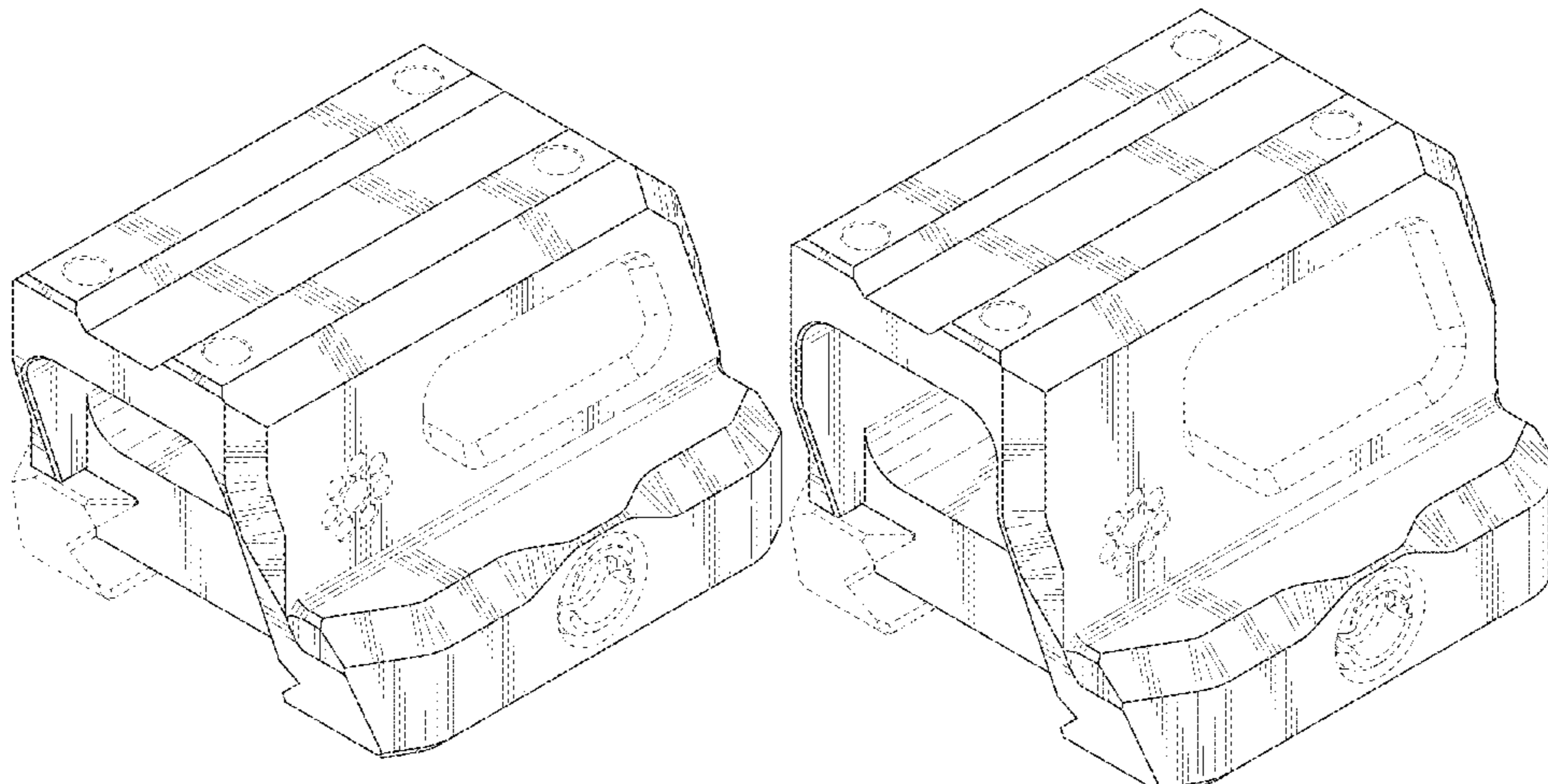
“Aimpoint Aero Mount” [online]. Arisaka. [Retrieved on Mar. 10, 2023]. Retrieved from the Internet: <<https://arisakadefense.com/aimpoint-acro-optic-mount/>>.\*

(Continued)

*Primary Examiner* — Mojtaba Tehrani

(74) *Attorney, Agent, or Firm* — Asgaard Patent Services, LLC; F. Wayne Thompson, Jr.

**1 Claim, 12 Drawing Sheets**



(56)

**References Cited**

## U.S. PATENT DOCUMENTS

D907,161 S \* 1/2021 Chin ..... D22/110  
D973,826 S \* 12/2022 Kincel ..... D22/109  
2013/0318852 A1 \* 12/2013 Teetzel ..... F41C 27/00  
42/90  
2014/0047755 A1 \* 2/2014 McClintock ..... F41G 11/003  
42/90  
2017/0261288 A1 \* 9/2017 Bartoszewicz ..... F41G 11/003  
2021/0055078 A1 \* 2/2021 Roberson ..... F41G 1/16  
2022/0042773 A1 \* 2/2022 Kincel ..... F41C 27/00  
2022/0333900 A1 \* 10/2022 Beasley ..... F41G 11/003

## OTHER PUBLICATIONS

“Trijicon MRO Mount” [online]. Arisaka. [Retrieved on Mar. 10, 2023]. Retrieved from the Internet: <<https://arisakadefense.com/mro-optic-mount/>>.\*

“Aimpoint Micro Mount” [online]. Arisaka. [Retrieved on Mar. 10, 2023]. Retrieved from the Internet: <<https://arisakadefense.com/aimpoint-micro-mount/>>.\*

“Primary Arms GLx Lower 1/3 Cowitness Micro Dot Riser Mount w/ .125" Spacer (1.64" or 1.765" Height)” [online]. Primary Arms. [Product first available on May 27, 2021]. Retrieved from the Internet: <<https://www.amazon.com/dp/B0961B8KCP>>.\*

“Strike Industries. 3 Piece—T1 Riser Optic Mount (Black)” [online]. Strike Industries. [Product first available on Aug. 20, 2019]. Retrieved from the Internet: <<https://www.amazon.com/dp/B07WDSXZLP>>.\*

\* cited by examiner

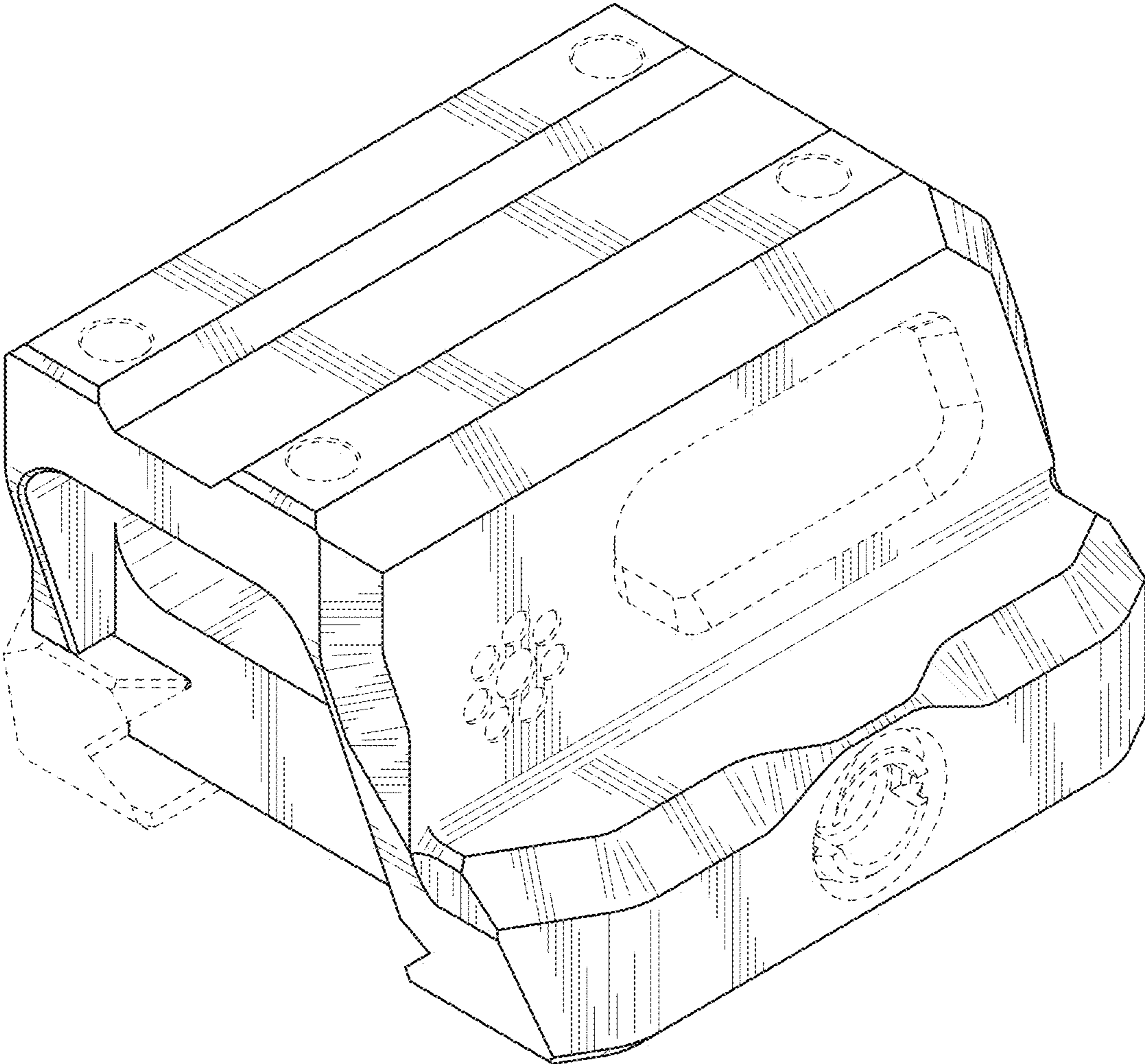


FIG. 1

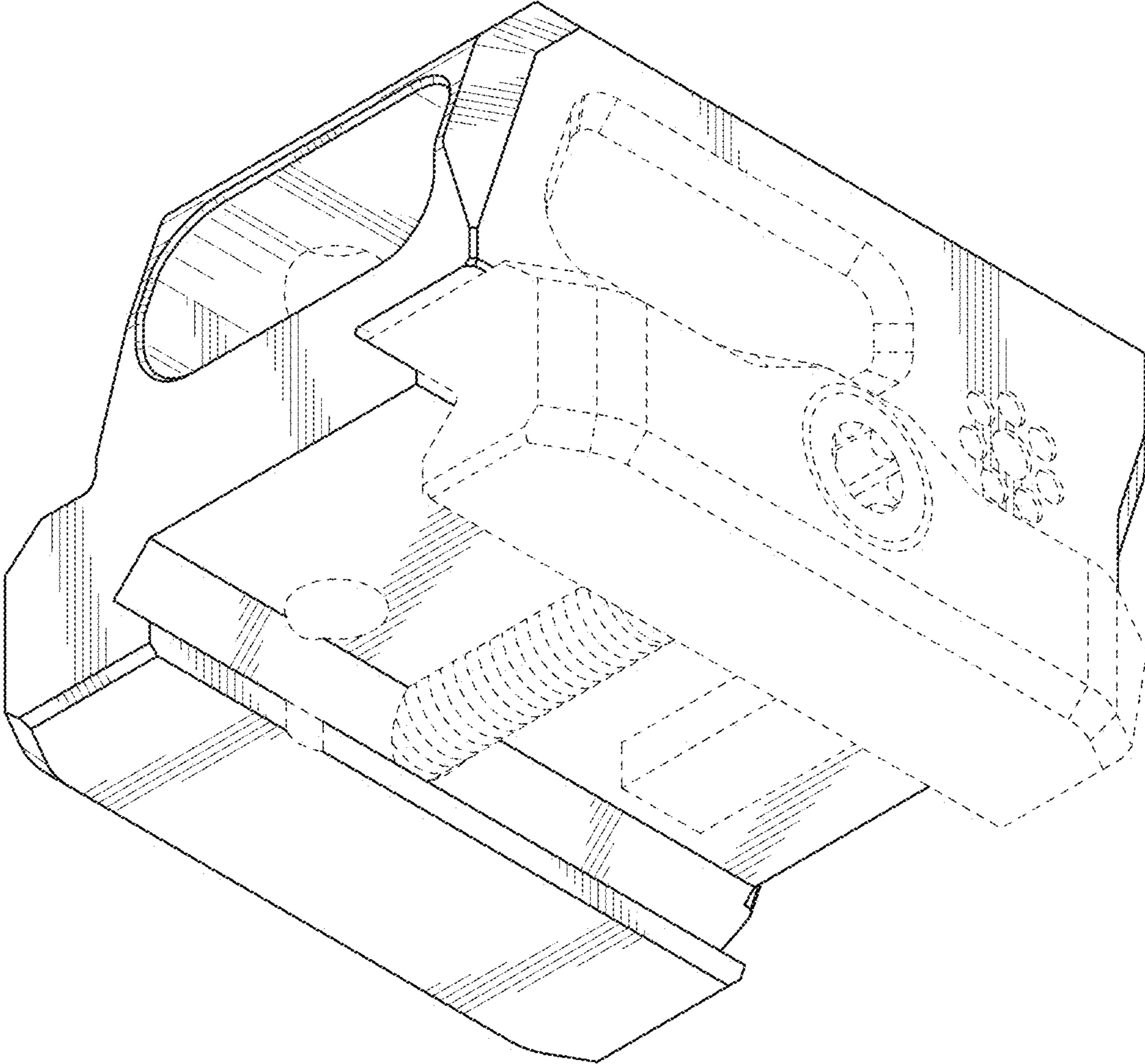


FIG. 2

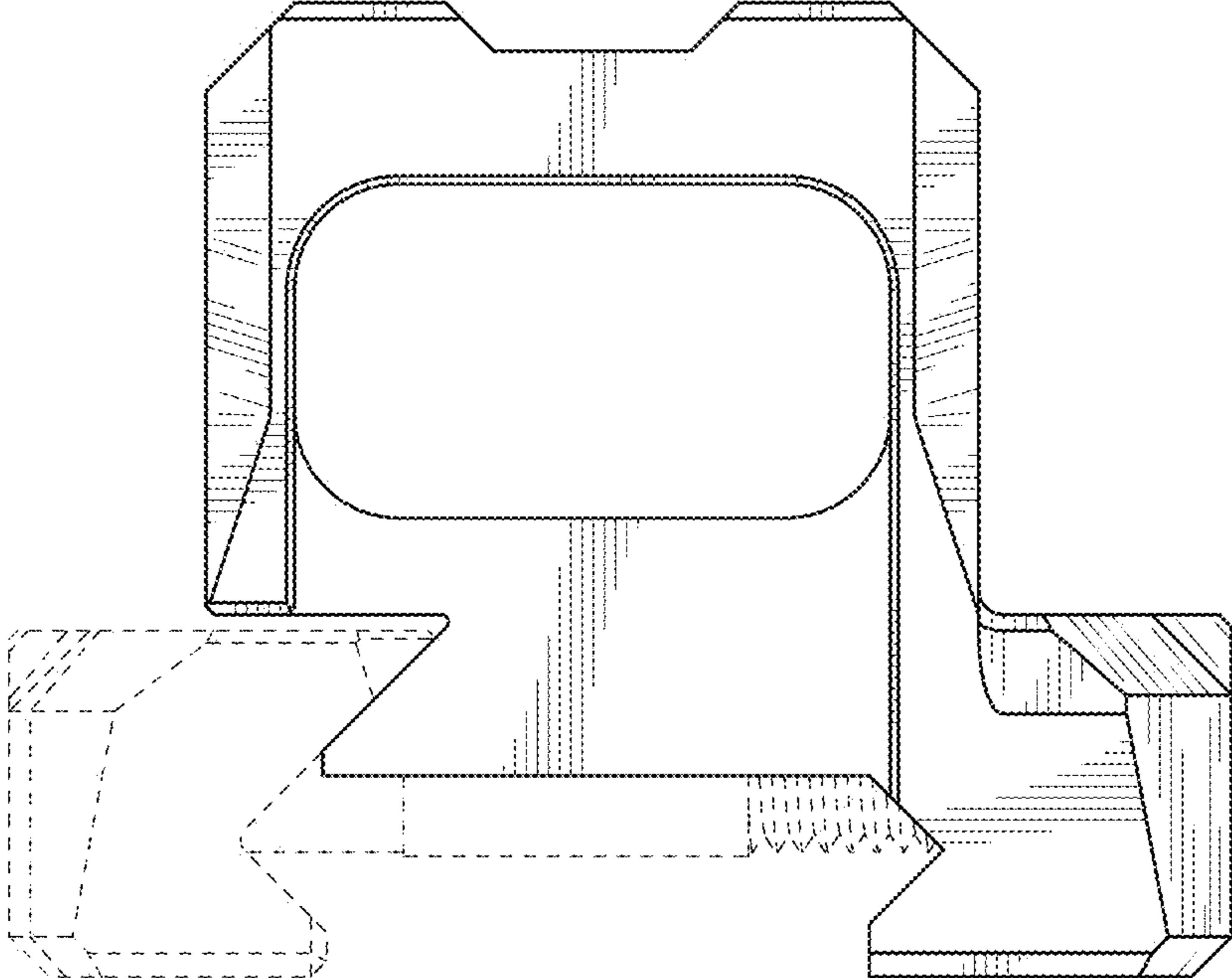


FIG. 3

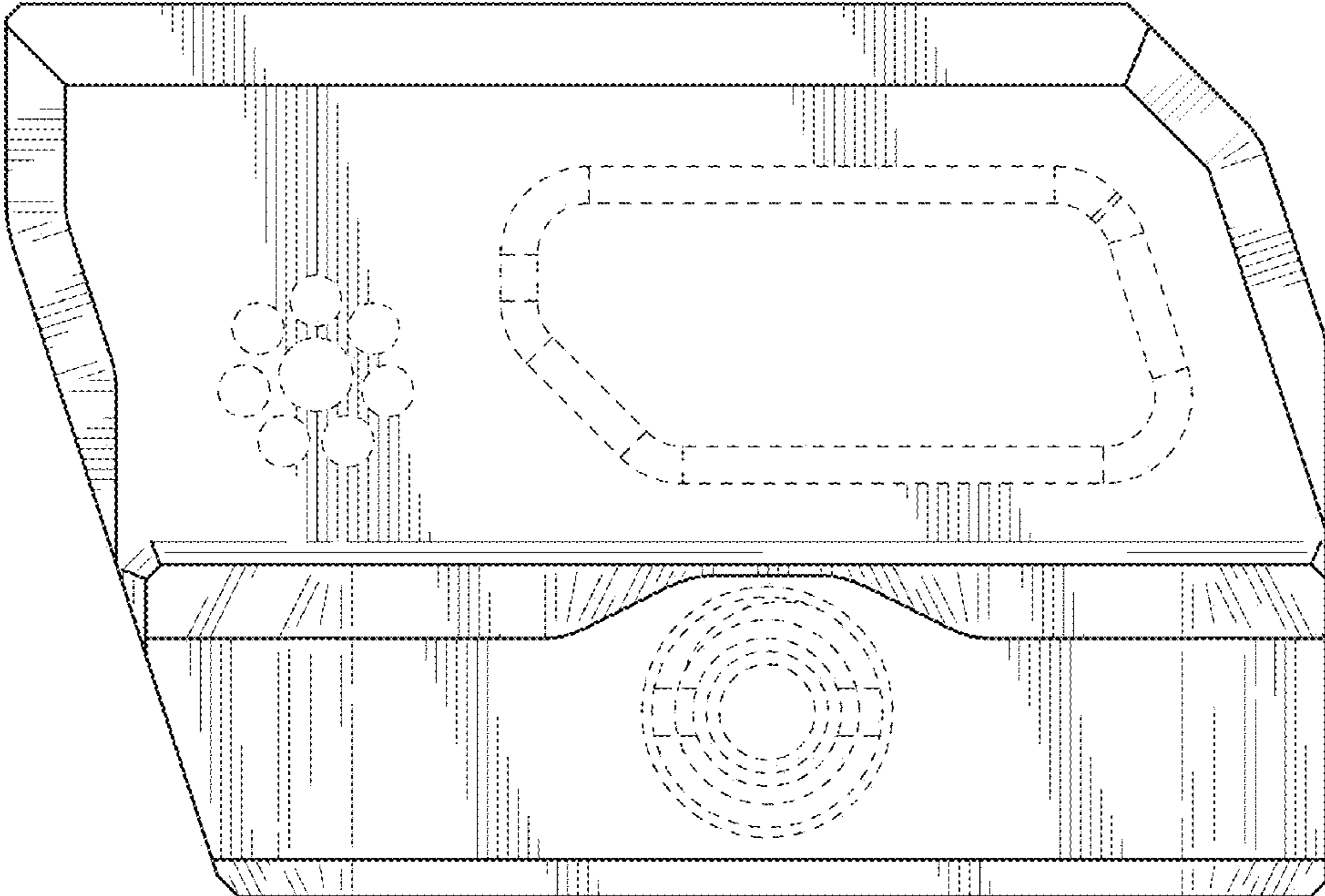


FIG. 4

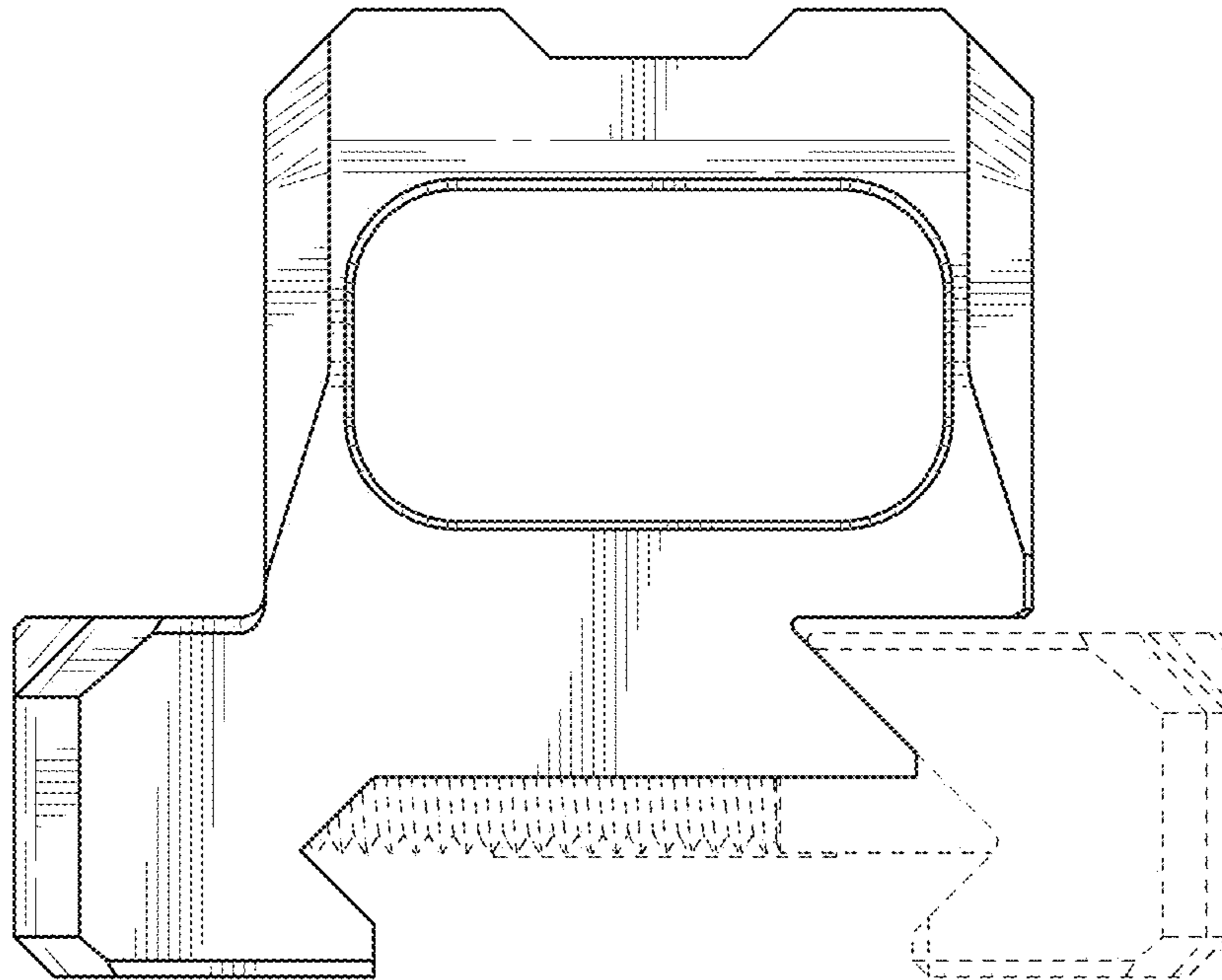


FIG. 5

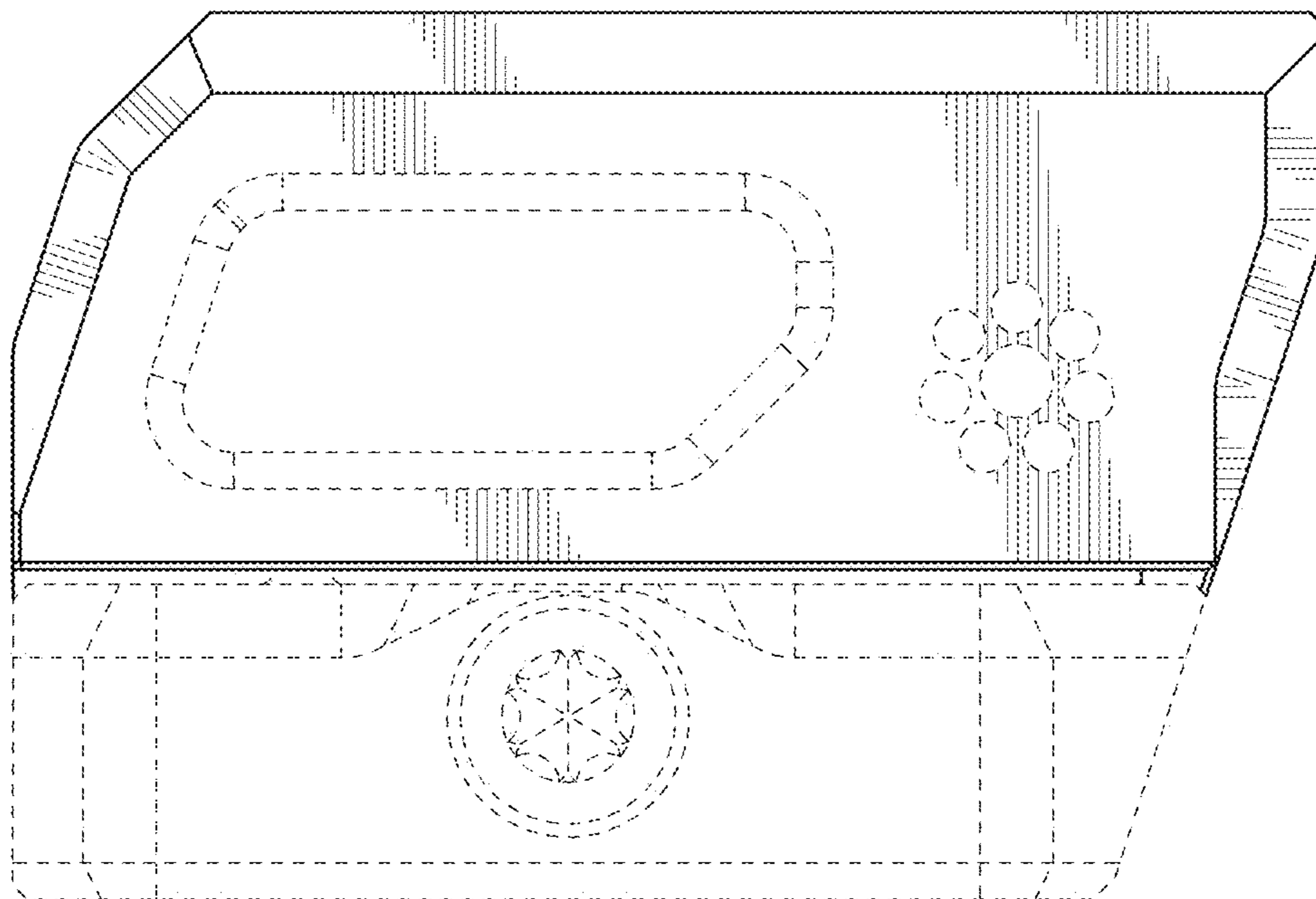


FIG. 6

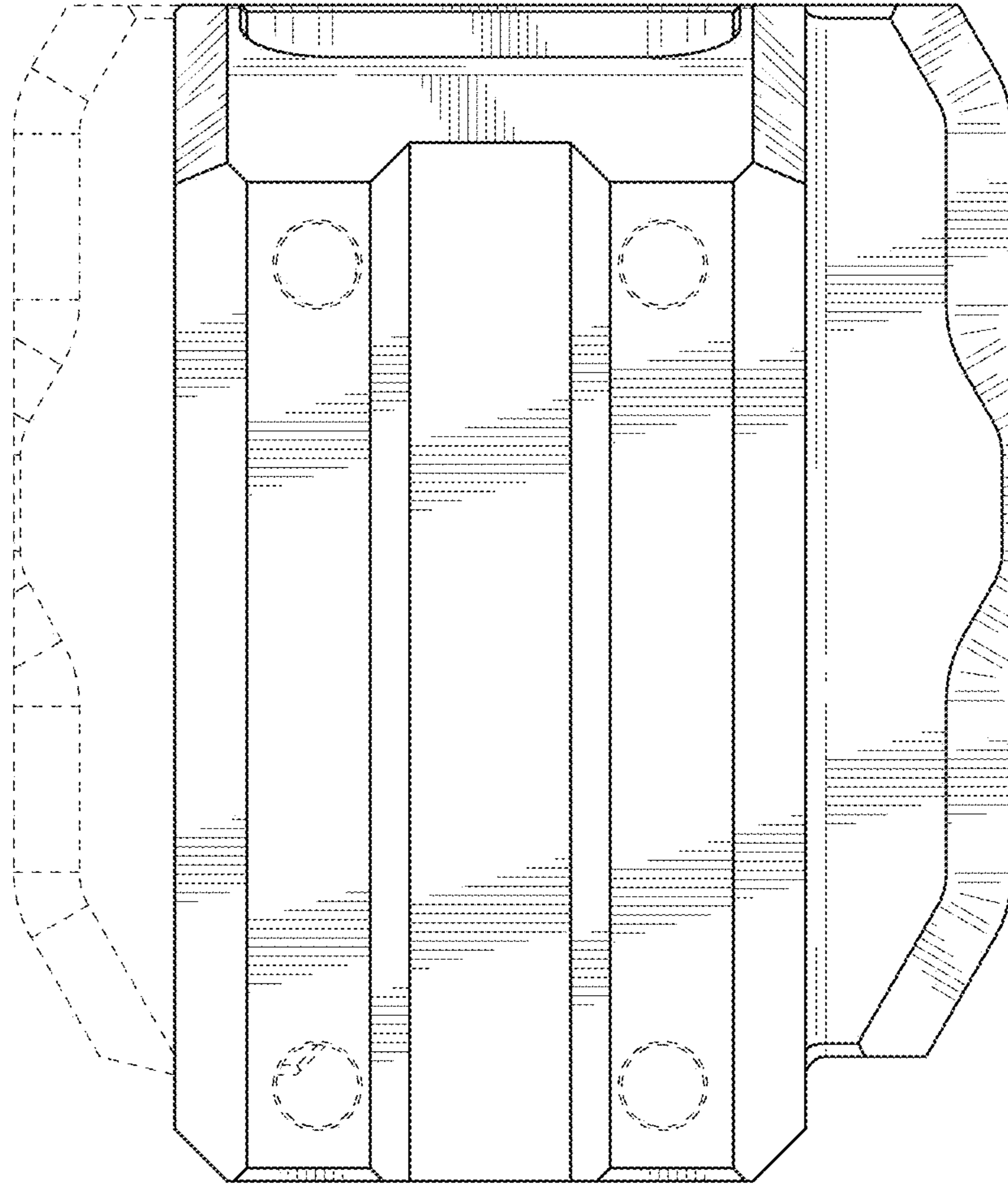


FIG. 7

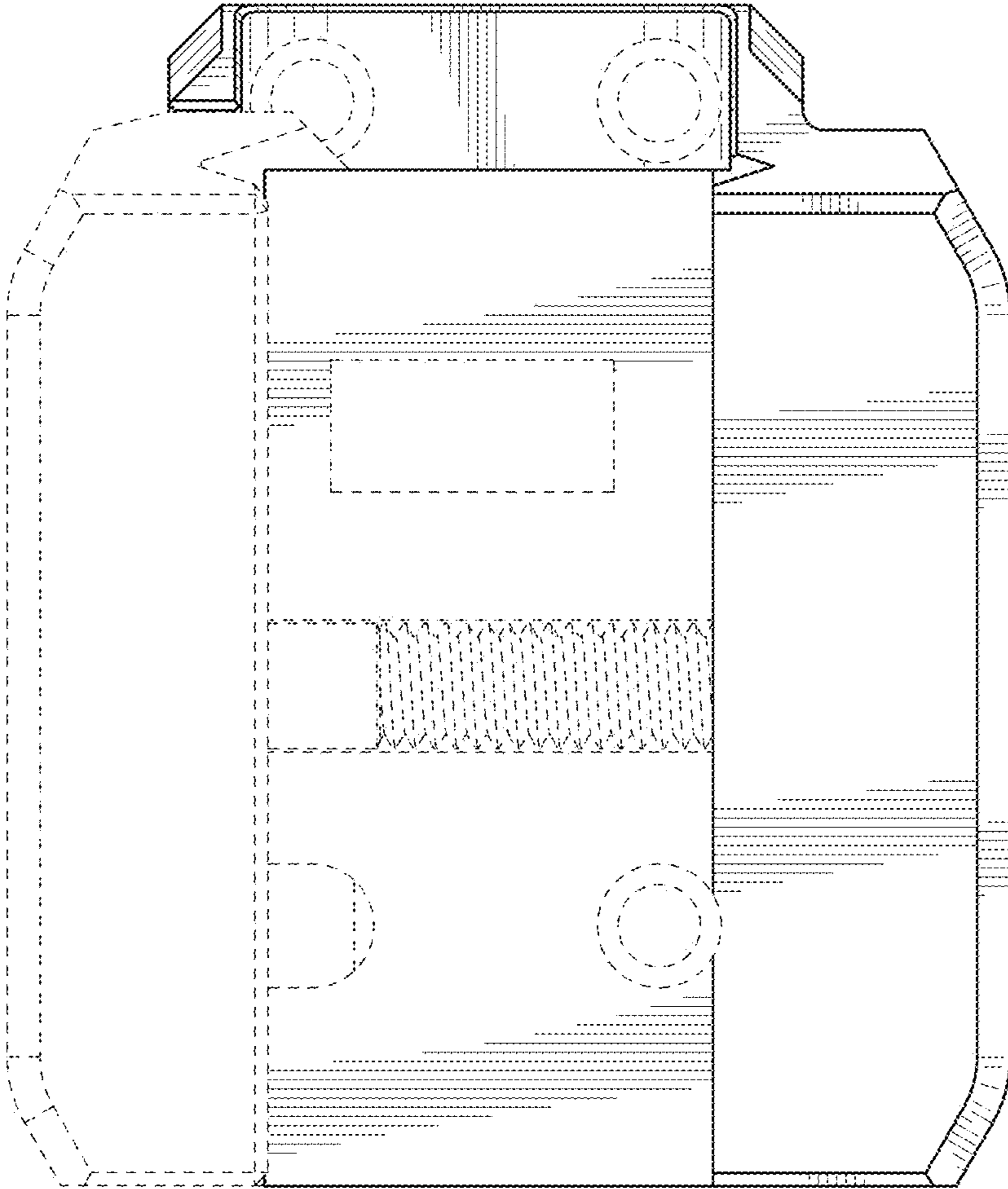


FIG. 8



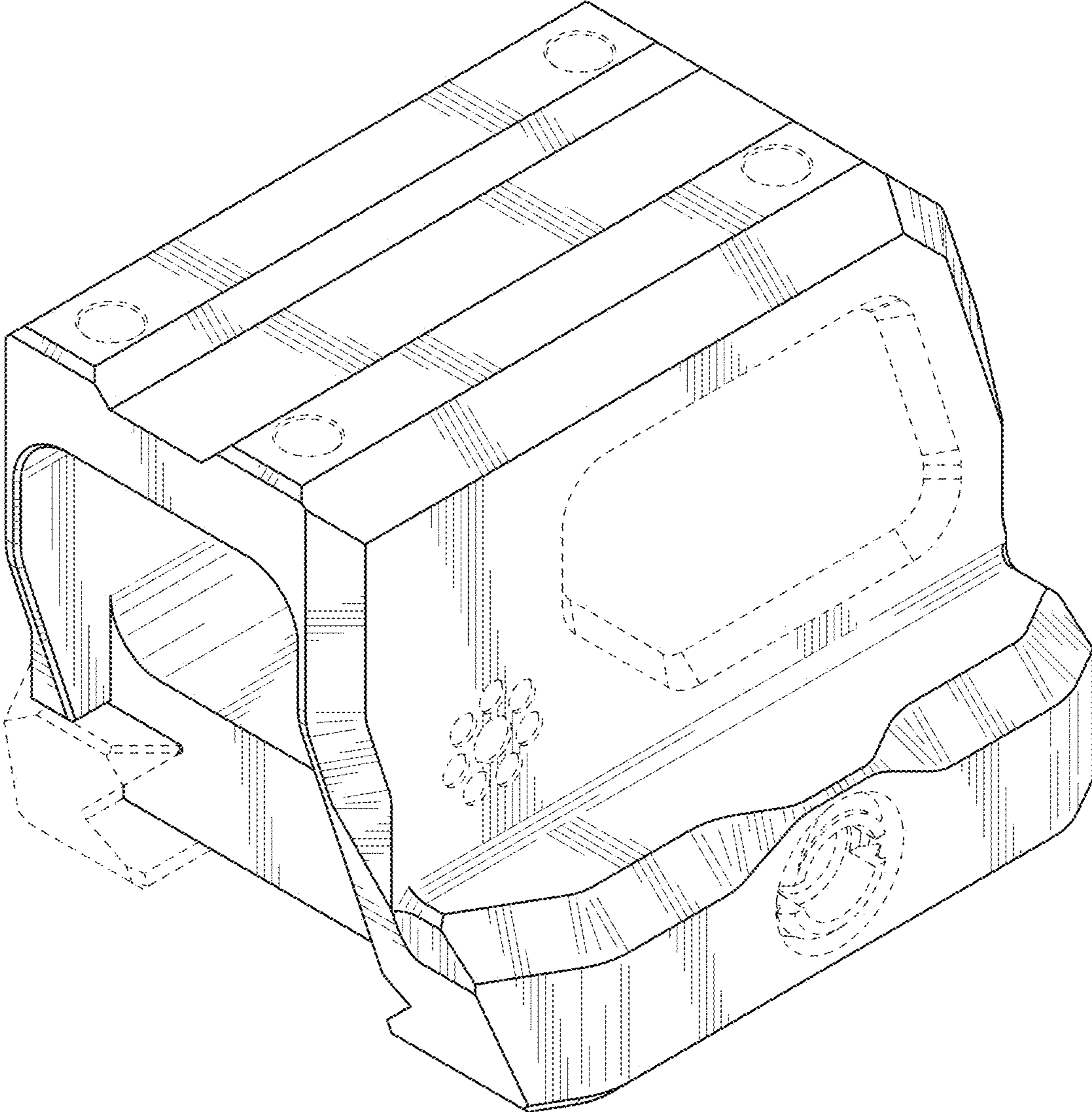


FIG. 9

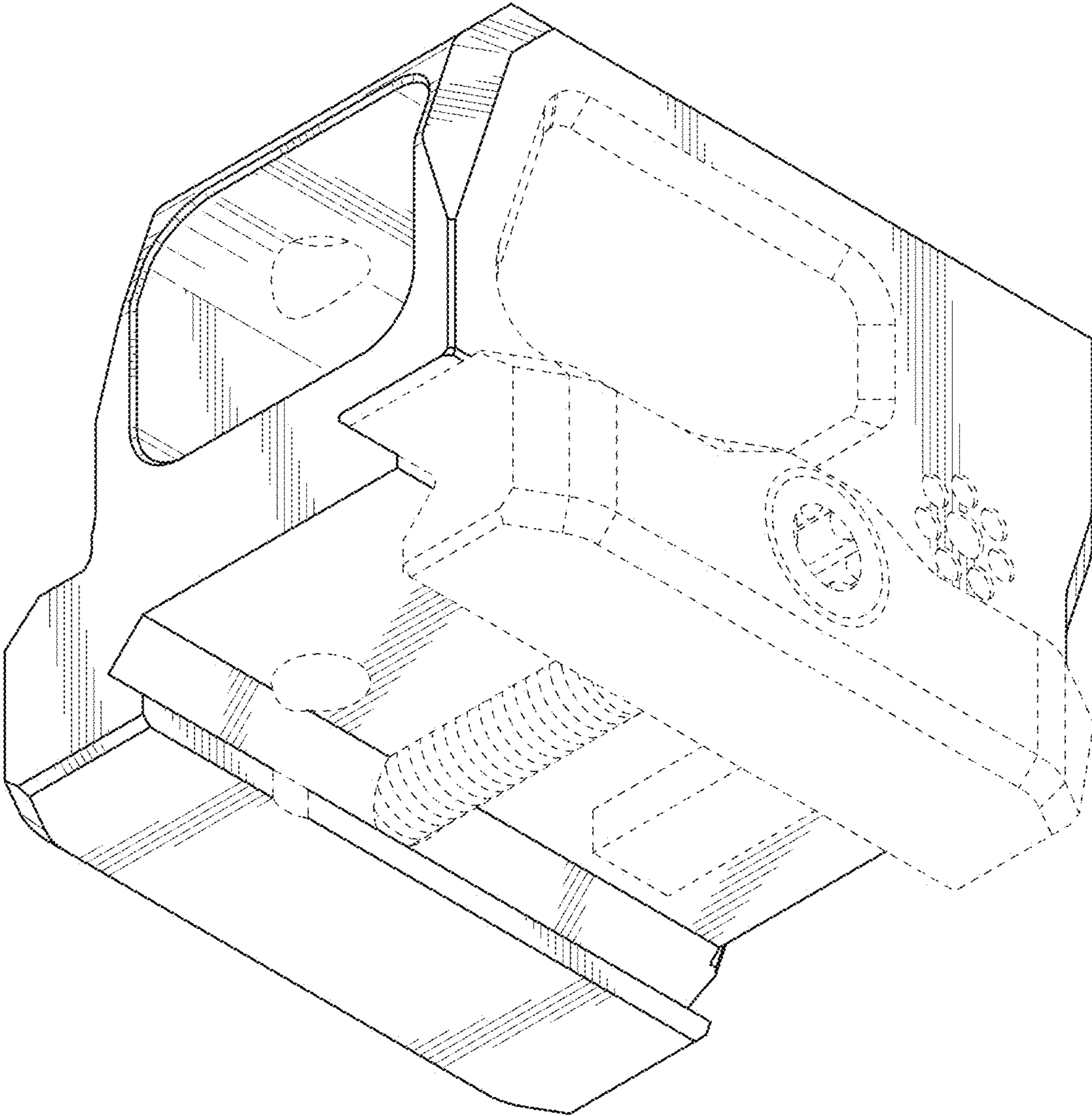


FIG. 10

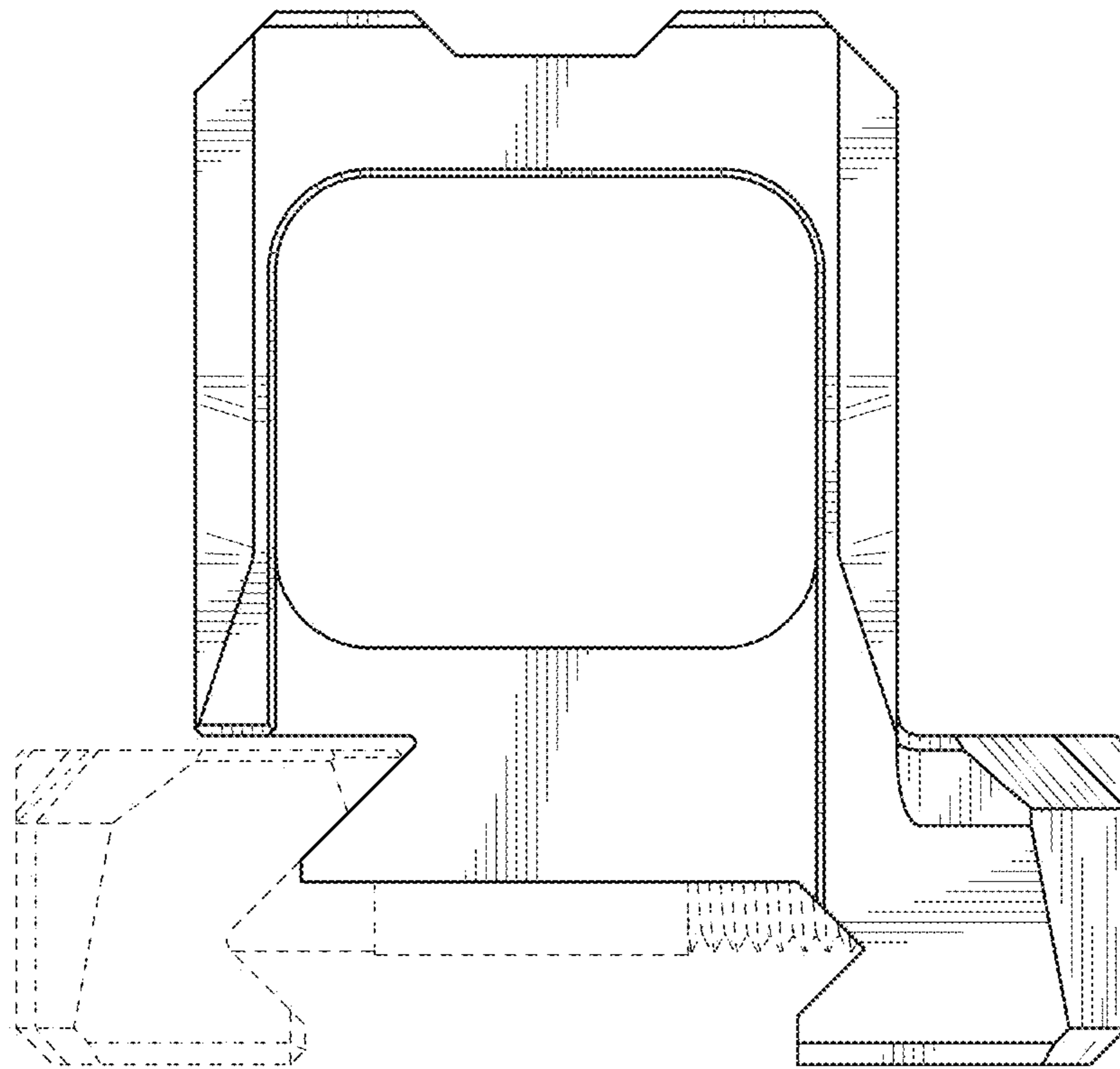


FIG. 11

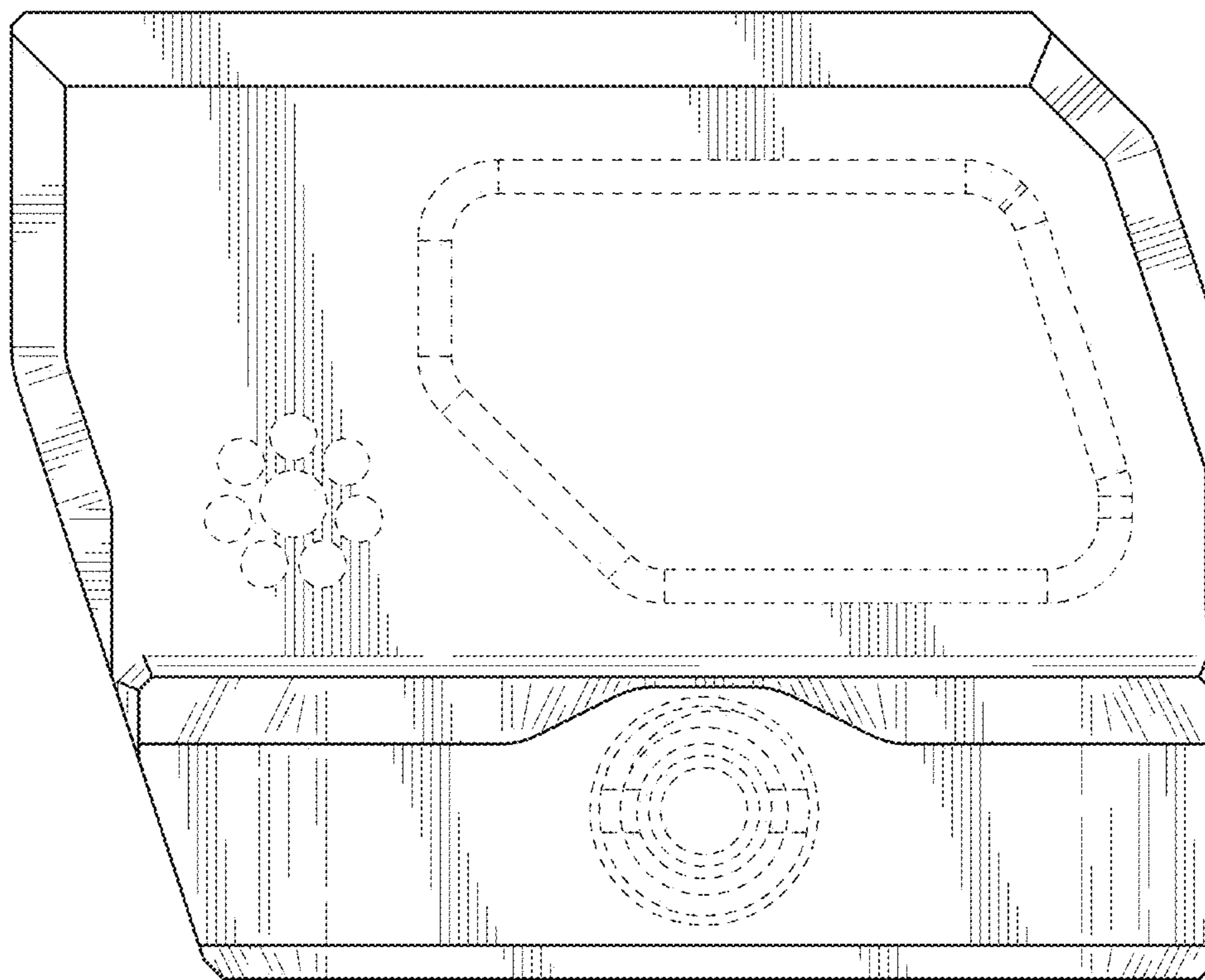


FIG. 12

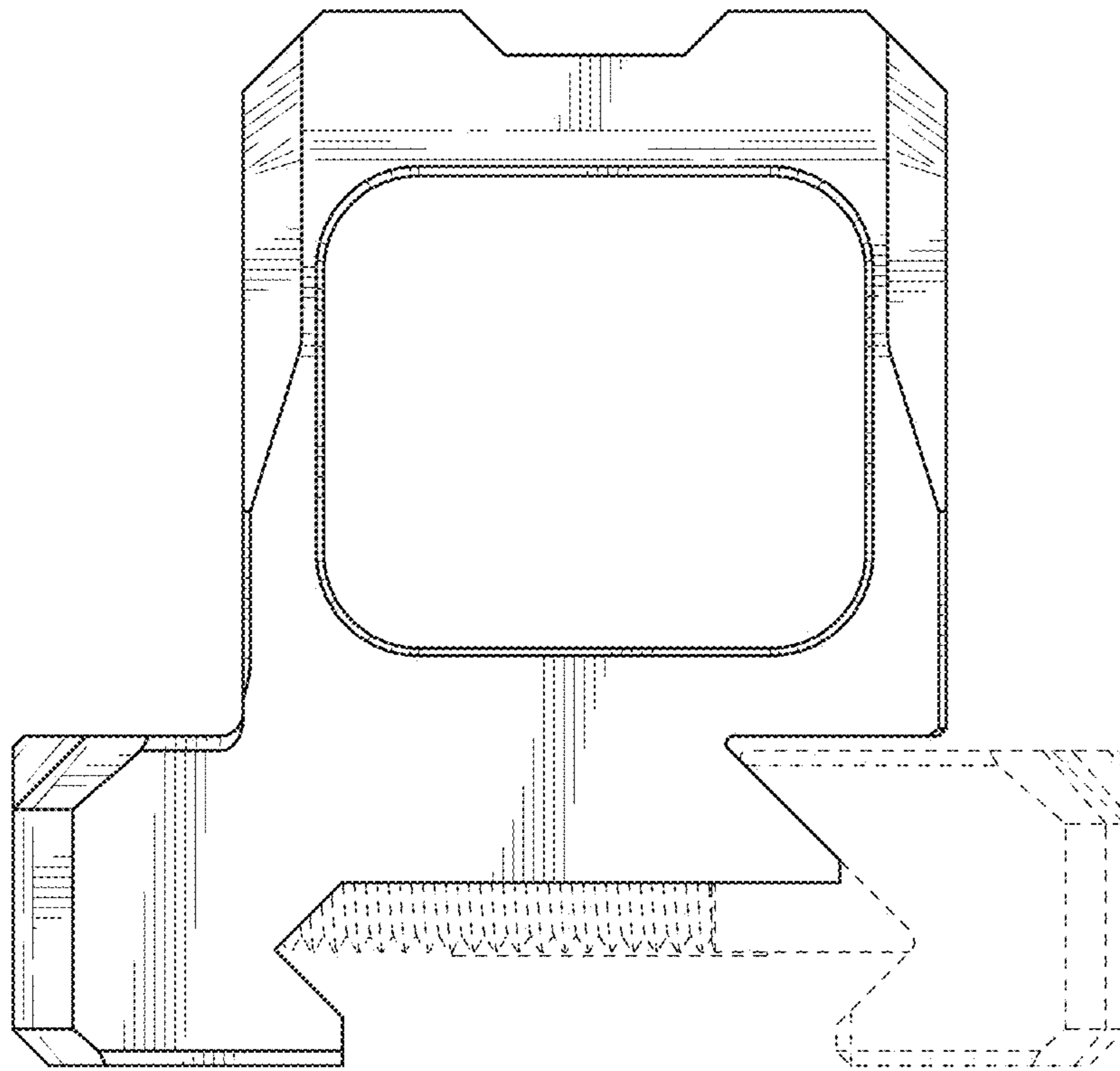


FIG. 13

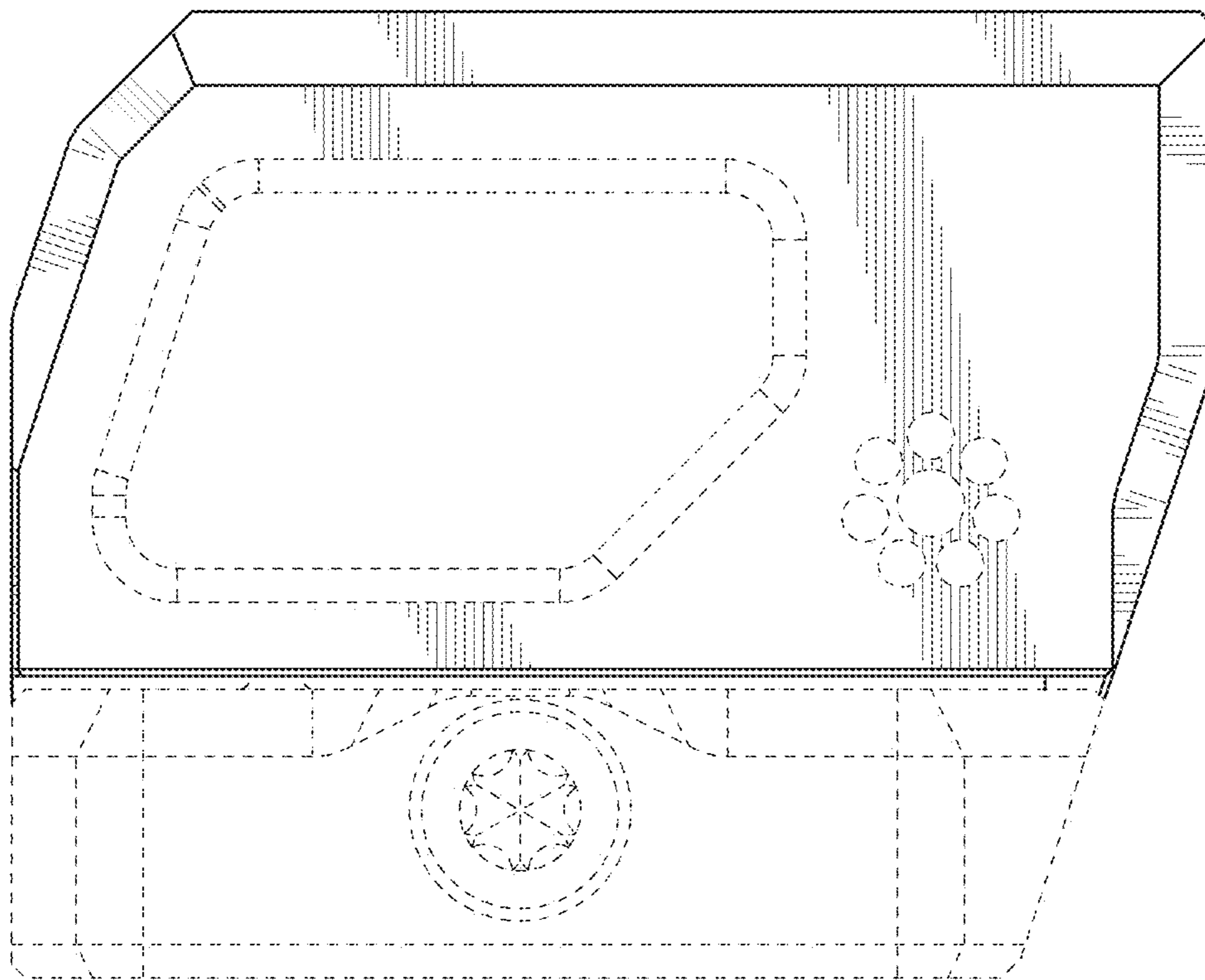


FIG. 14

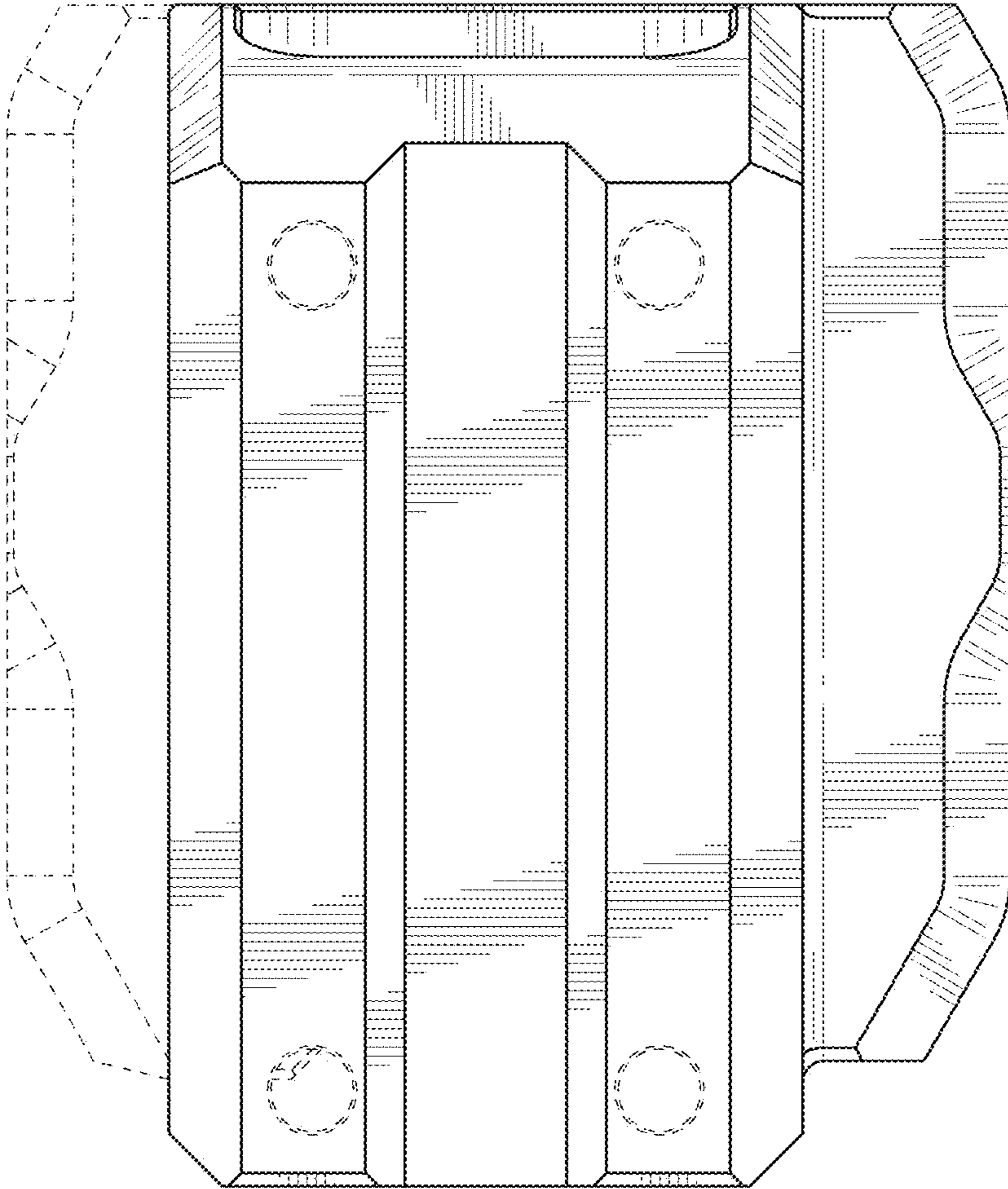


FIG. 15

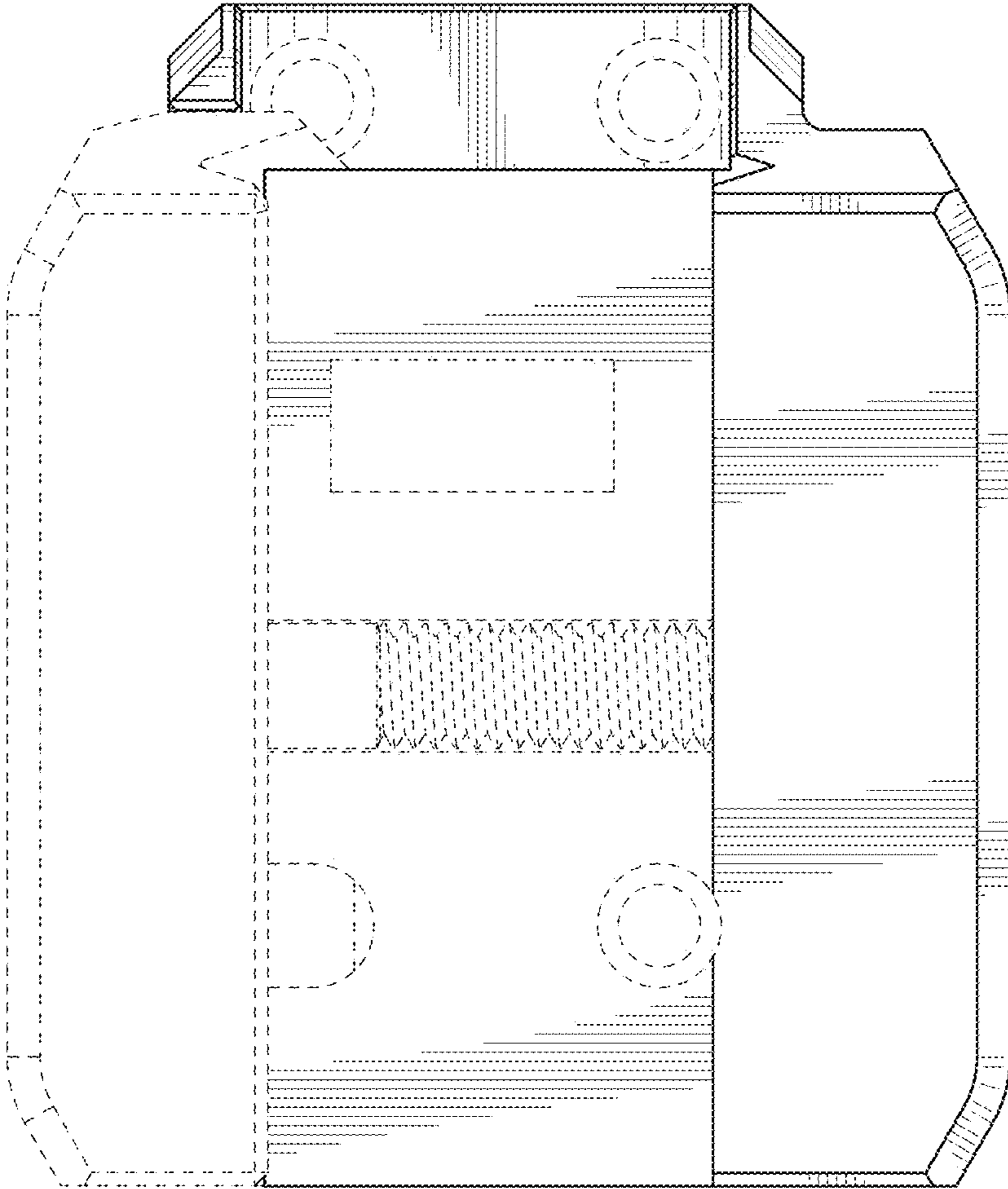


FIG. 16