



US00D987012S

(12) **United States Design Patent**  
**Pischke et al.**

(10) **Patent No.:** **US D987,012 S**

(45) **Date of Patent:** **\*\* May 23, 2023**

(54) **FIREARM SIGHT**

(71) Applicant: **Sellmark Corporation**, Mansfield, TX (US)

(72) Inventors: **Andrew Pischke**, Mansfield, TX (US);  
**Jonathan Horton**, Arlington, TX (US)

(73) Assignee: **Sellmark Corporation**, Mansfield, TX (US)

(\*\*) Term: **15 Years**

(21) Appl. No.: **29/779,409**

(22) Filed: **Apr. 19, 2021**

(51) **LOC (14) Cl.** ..... **22-01**

(52) **U.S. Cl.**  
USPC ..... **D22/109**

(58) **Field of Classification Search**  
USPC ..... D22/110, 199, 108, 109, 132;  
D26/37-50; D21/572, 573  
CPC ..... F41G 1/00; F41G 1/17; F41G 1/30; F41G  
1/32; F41G 1/345; F41G 11/001; F41G  
11/003  
See application file for complete search history.

(56) **References Cited**

**U.S. PATENT DOCUMENTS**

D349,510 S	*	8/1994	Tomita	.....	D16/132
D672,005 S	*	12/2012	Hedeem	.....	D22/109
D672,839 S	*	12/2012	Ding	.....	D22/109
D679,775 S	*	4/2013	Cheng	.....	D22/109
D732,137 S	*	6/2015	Hamilton	.....	D22/109
D741,446 S	*	10/2015	Cheng	.....	D22/109
D750,726 S	*	3/2016	Cheng	.....	D22/109

D757,886 S	*	5/2016	Cheng	.....	D22/109
D765,212 S	*	8/2016	Cheng	.....	D22/109
D774,157 S	*	12/2016	Koesler	.....	D22/109
D774,158 S	*	12/2016	Cheng	.....	D22/109
D781,990 S	*	3/2017	Cheng	.....	D22/109
D846,691 S	*	4/2019	Cheng	.....	D22/109
D856,458 S	*	8/2019	Cheng	.....	D22/109
D888,874 S	*	6/2020	Hamilton	.....	D22/109
D905,193 S	*	12/2020	Johnston	.....	D22/109
D940,266 S	*	1/2022	Wang	.....	D22/109

\* cited by examiner

*Primary Examiner* — S. Bryan Reinholdt, Jr.

*Assistant Examiner* — Kaitlan N Oliver

(74) *Attorney, Agent, or Firm* — Mark D. Perdue

(57) **CLAIM**

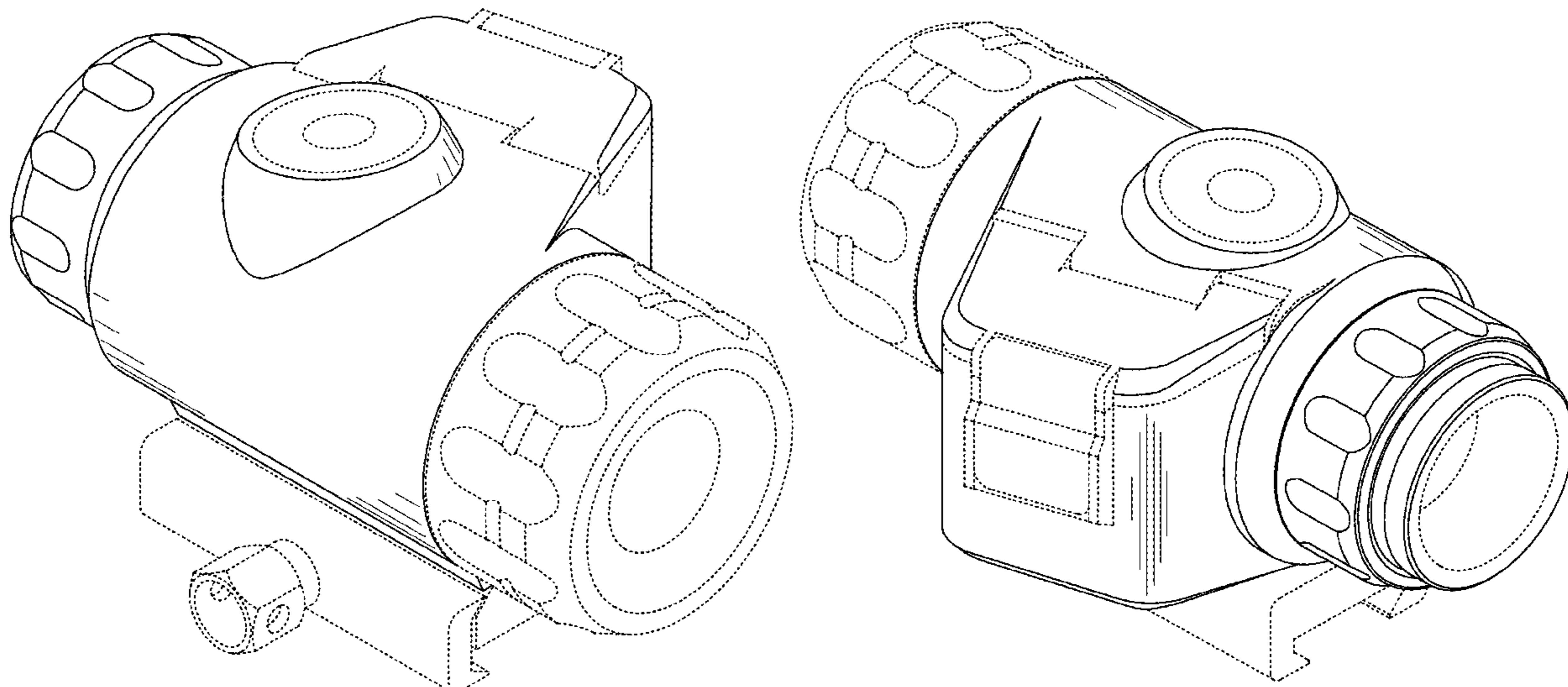
The ornamental design for a firearm sight, as shown and described.

**DESCRIPTION**

FIG. 1 is a left front isometric view of a firearm sight.  
FIG. 2 is a front view of the firearm sight of FIG. 1.  
FIG. 3 is a rear view of the firearm sight of FIG. 1.  
FIG. 4 is a left side view of the firearm sight of FIG. 1.  
FIG. 5 is a right side view of the firearm sight of FIG. 1.  
FIG. 6 is a top view of the firearm sight of FIG. 1.  
FIG. 7 is a bottom view of the firearm sight of FIG. 1.  
FIG. 8 is a right rear isometric view of the firearm sight of FIG. 1; and,  
FIG. 9 is a right front isometric view of the firearm sight of FIG. 1.

The broken lines depict portions of the firearm sight in which the design is embodied that form no part of the claimed design.

**1 Claim, 7 Drawing Sheets**



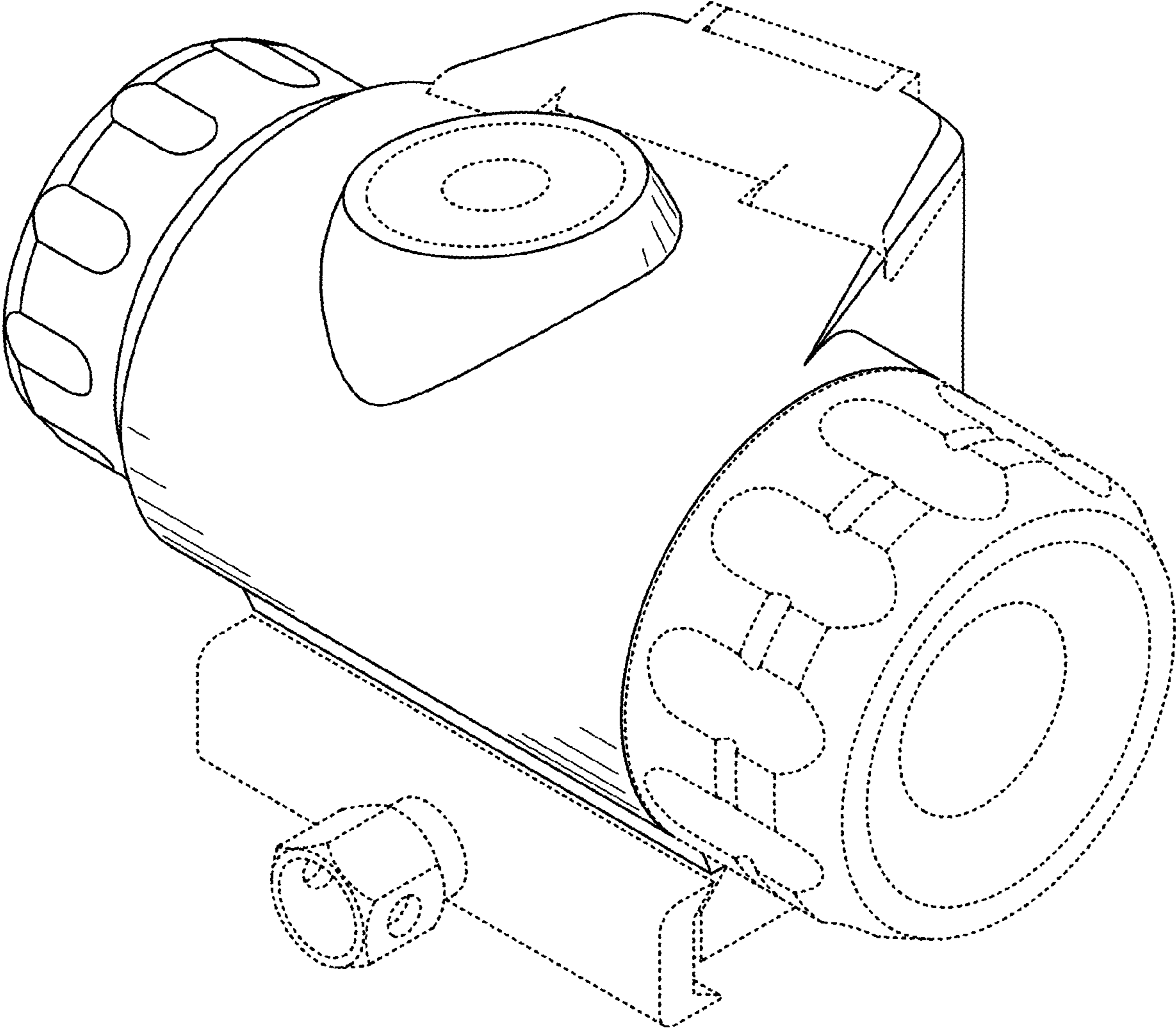


FIG. 1

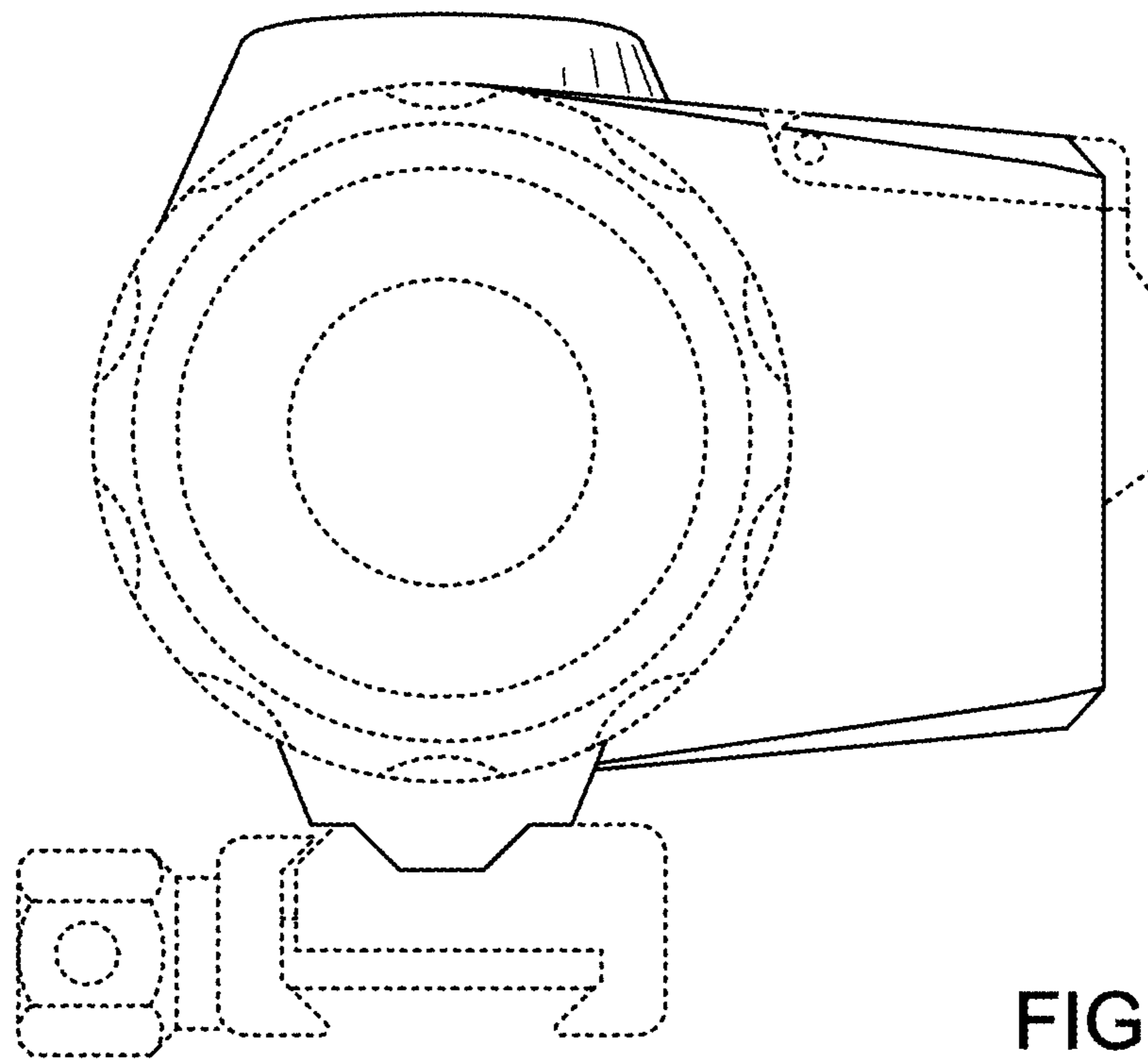


FIG. 2

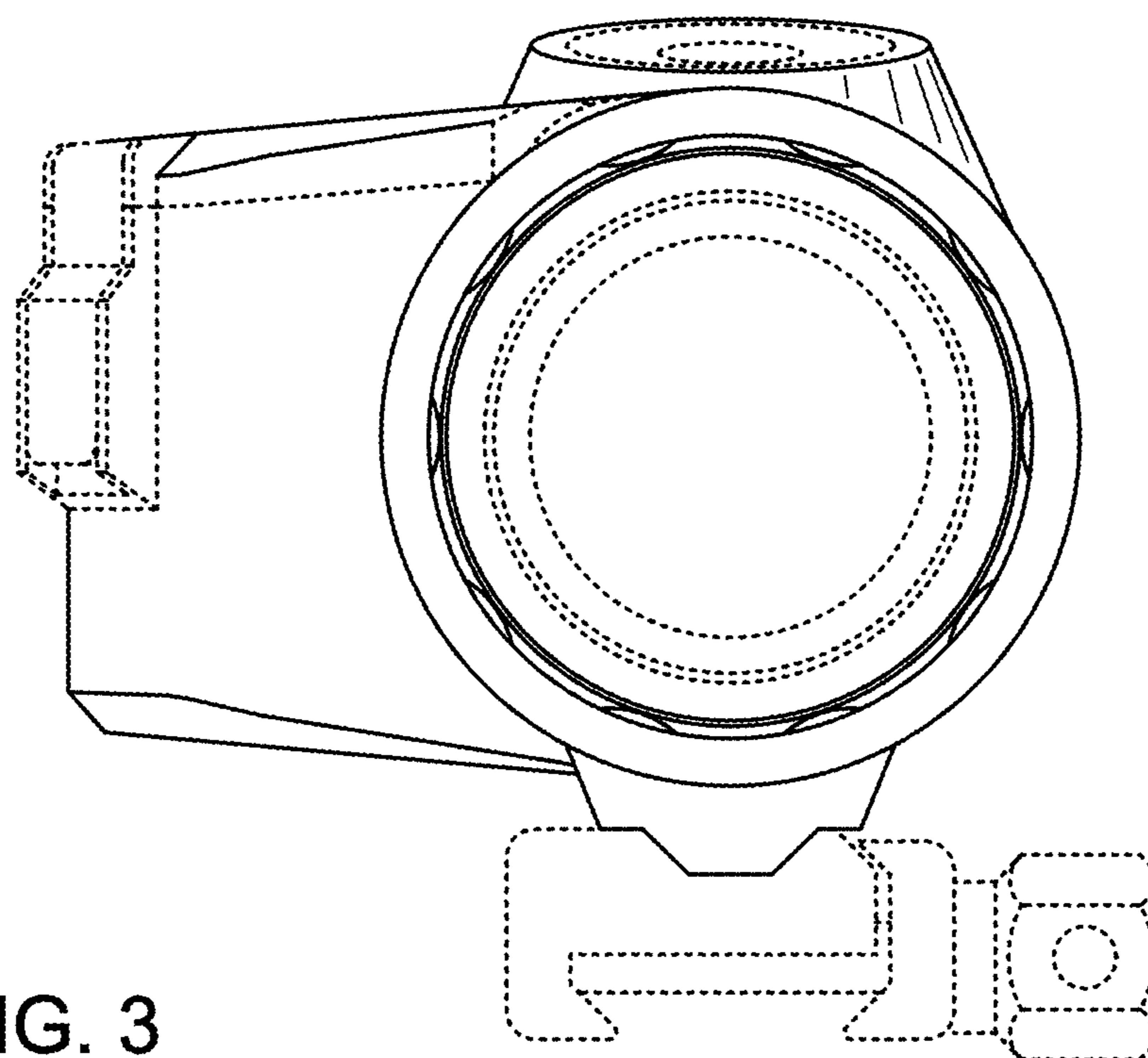


FIG. 3

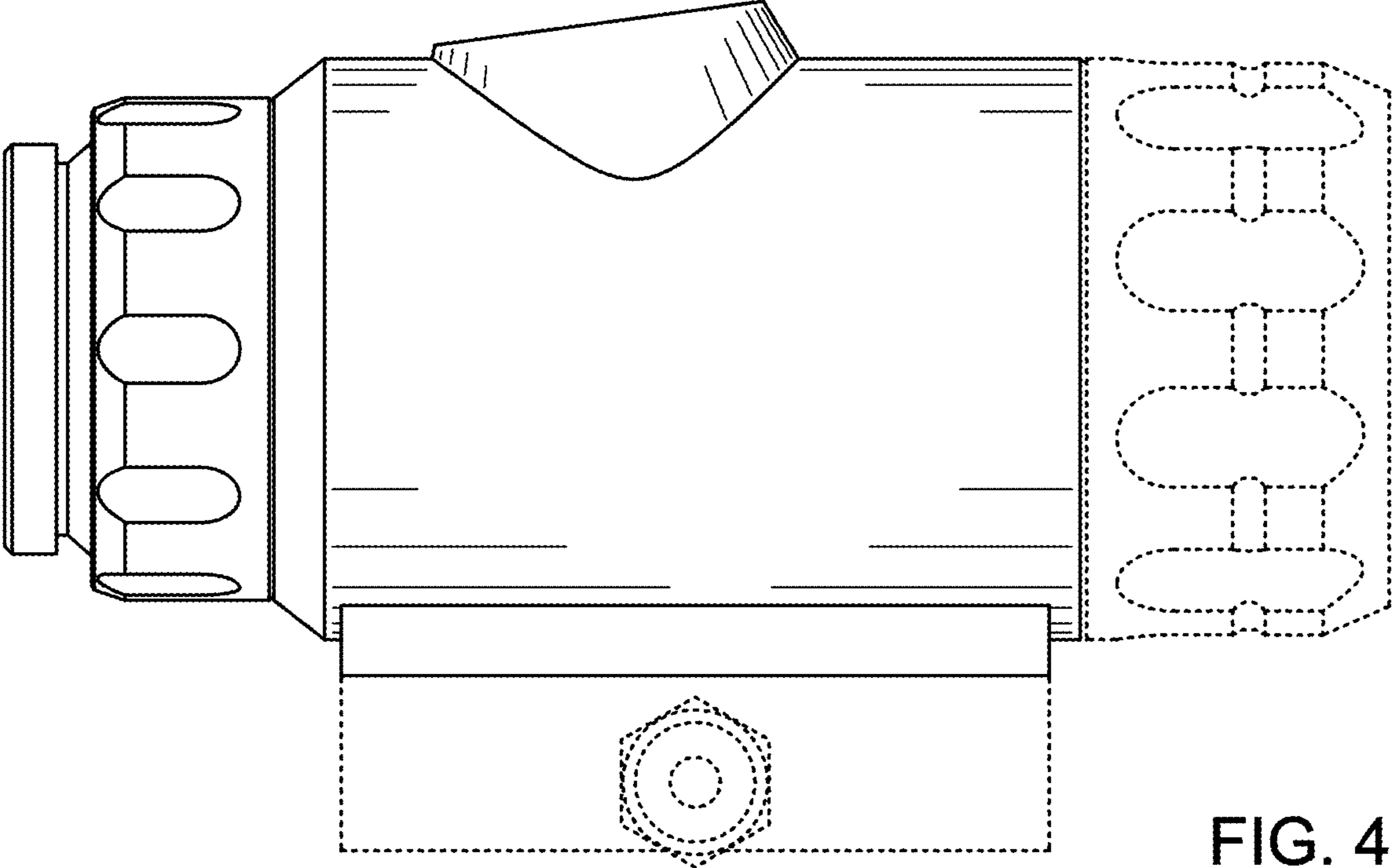


FIG. 4

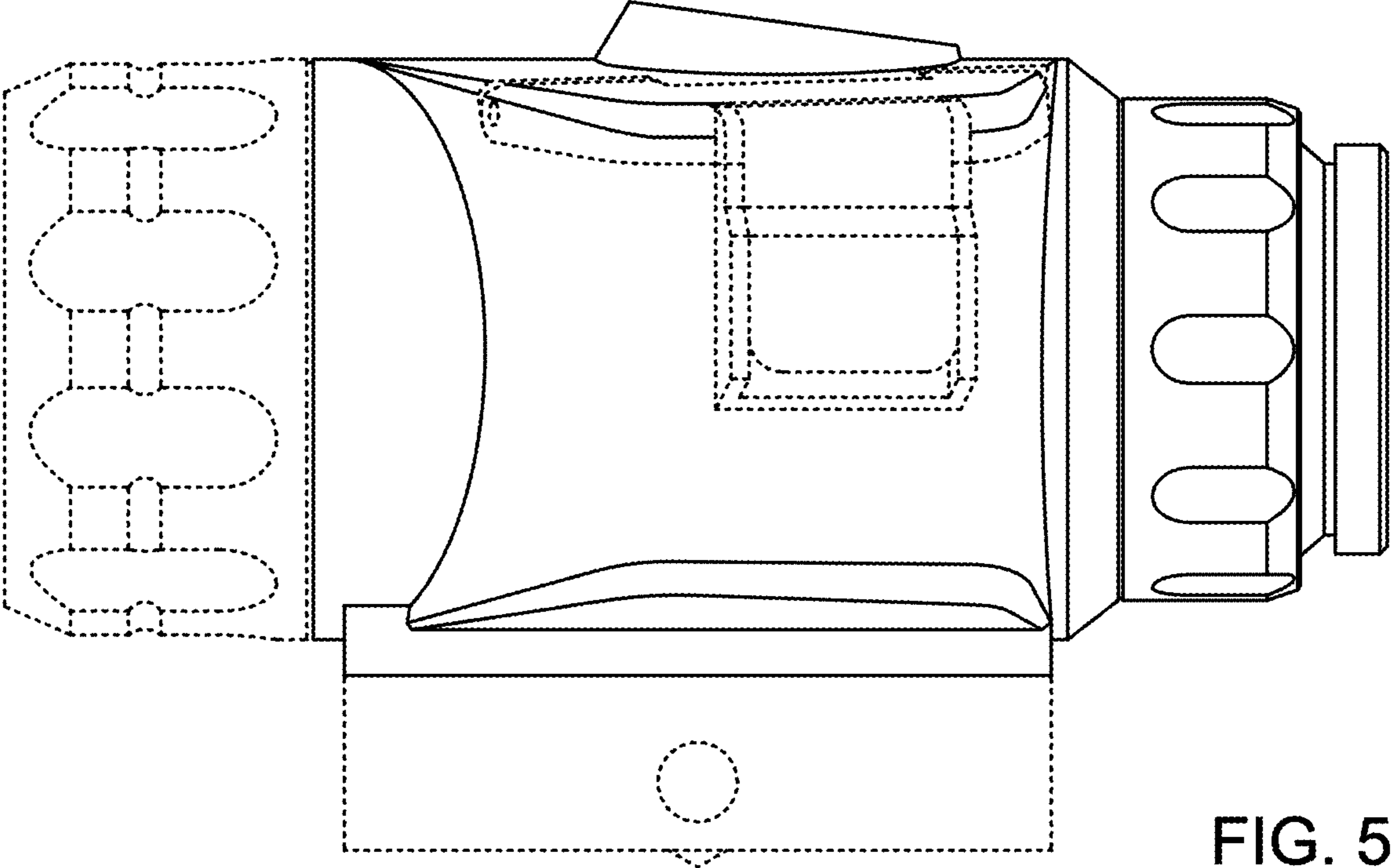


FIG. 5

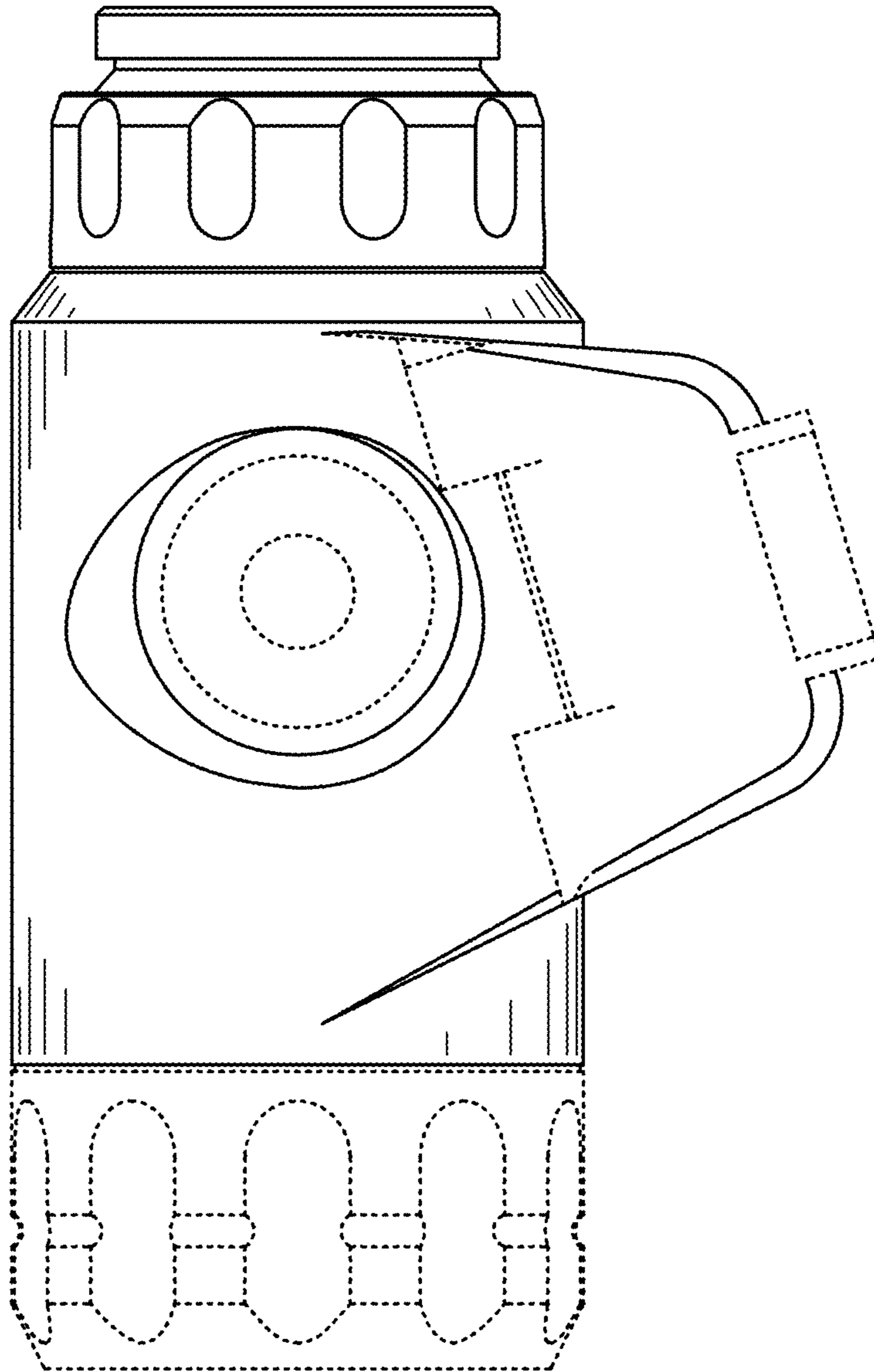


FIG. 6

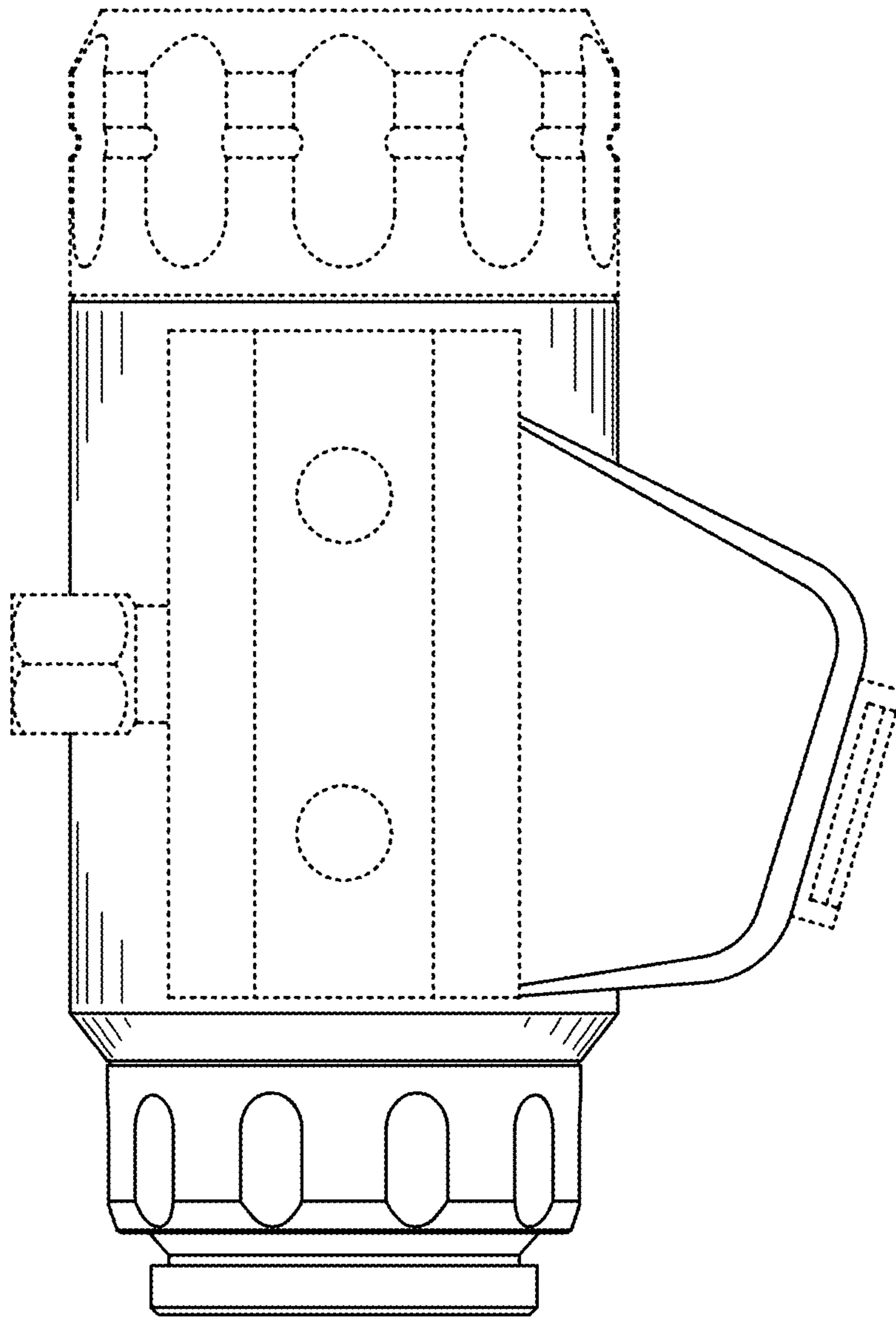


FIG. 7

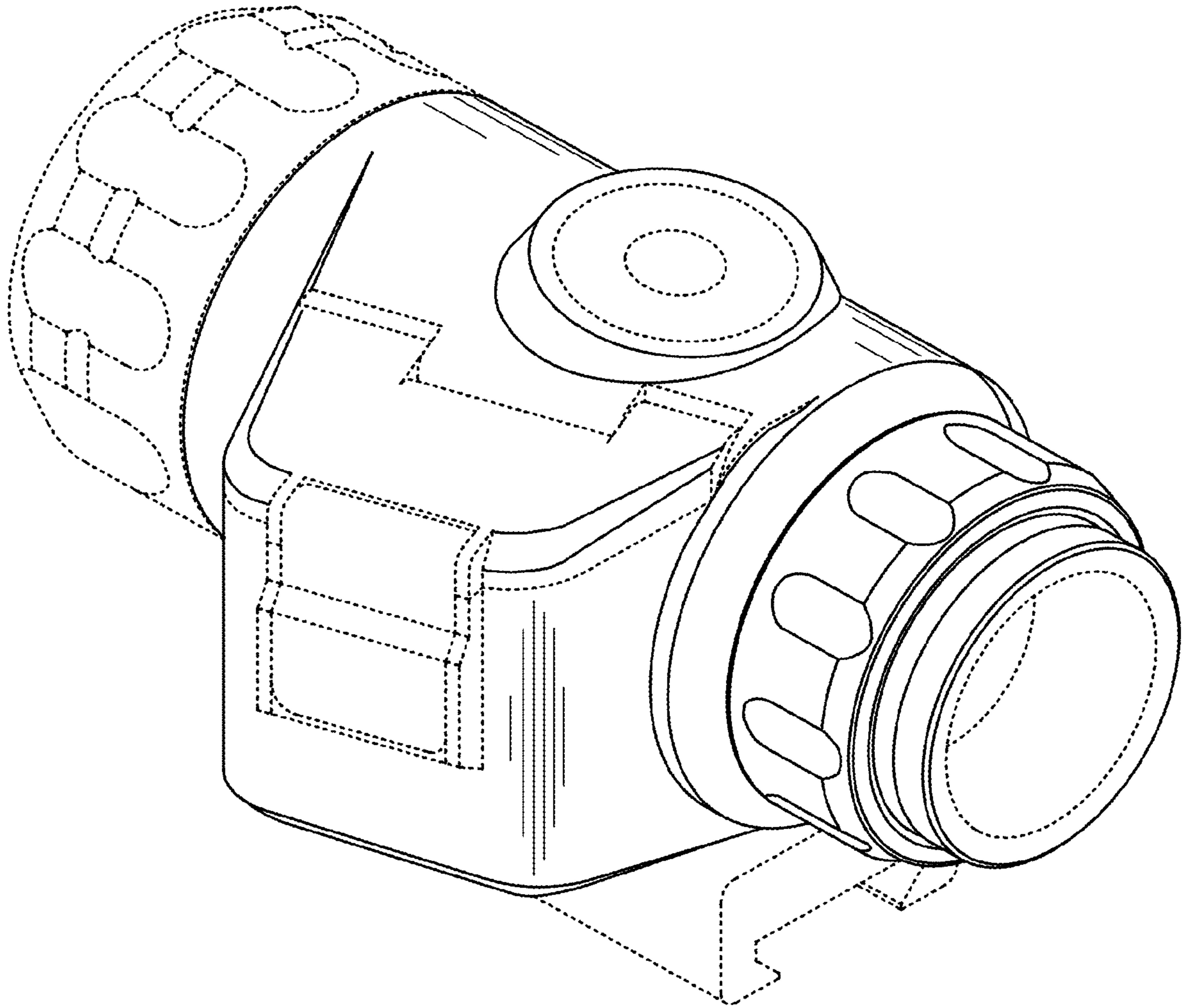


FIG. 8

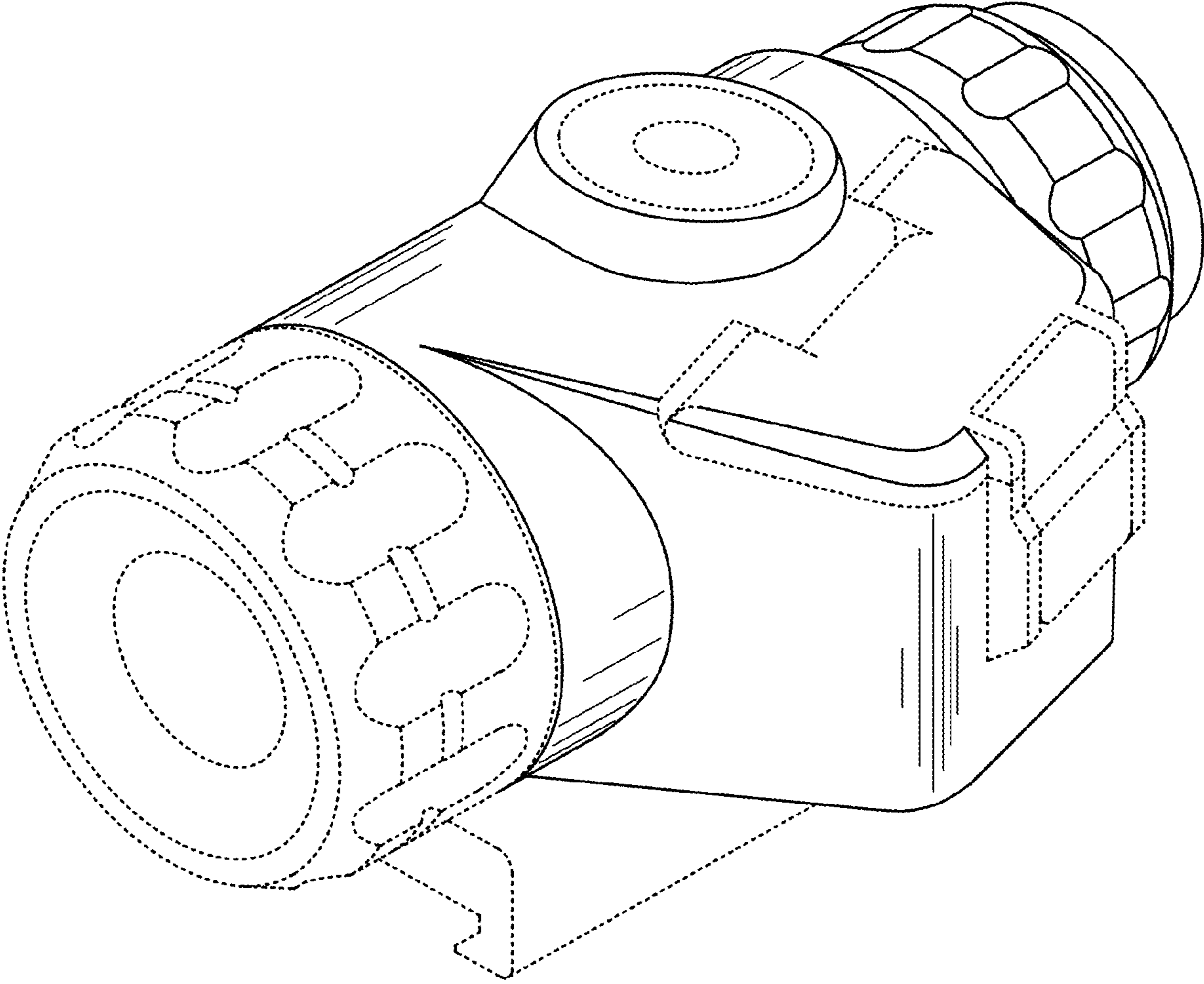


FIG. 9