



US00D987011S

(12) **United States Design Patent**
Williams et al.

(10) **Patent No.:** **US D987,011 S**
(45) **Date of Patent:** **** May 23, 2023**

- (54) **FIREARM RECEIVER**
- (71) Applicant: **Springfield, Inc.**, Geneseo, IL (US)
- (72) Inventors: **Charles David Williams**, Geneseo, IL (US); **Christopher Martin Baumbach**, LeClaire, IA (US)
- (73) Assignee: **Springfield, Inc.**, Geneseo, IL (US)
- (**) Term: **15 Years**
- (21) Appl. No.: **29/789,586**
- (22) Filed: **Oct. 1, 2021**

- 8,015,742 B2 9/2011 Zedrosser
 - D689,974 S 9/2013 Sharps
 - D702,793 S 4/2014 Burt et al.
 - D713,485 S 9/2014 Firpo, I et al.
 - D726,862 S 4/2015 Crume, Sr.
 - D726,863 S 4/2015 Crume, Sr.
 - D727,454 S * 4/2015 Robinson D22/108
 - 9,217,618 B1 12/2015 Miller, III
 - D746,936 S 1/2016 Huang
 - D755,338 S * 5/2016 Slank D22/108
- (Continued)

Related U.S. Application Data

- (62) Division of application No. 29/719,666, filed on Jan. 7, 2020, now Pat. No. Des. 944,351, which is a division of application No. 29/626,166, filed on Nov. 15, 2017, now Pat. No. Des. 875,870.
- (51) **LOC (14) Cl.** **22-01**
- (52) **U.S. Cl.**
USPC **D22/108**
- (58) **Field of Classification Search**
USPC D22/108, 100, 101, 103, 105, 109, 110;
D21/572-575
CPC F41C 7/00; F41C 7/11; F41C 7/12; F41C 23/10; F41C 23/14; F41C 23/16; F41C 23/18; F41C 23/00; F41C 27/00; F41C 27/06; F41A 5/18; F41A 5/24; F41A 21/28
See application file for complete search history.

References Cited

U.S. PATENT DOCUMENTS

- D600,771 S 9/2009 Fitzpatrick et al.
- D603,011 S 10/2009 Fitzpatrick et al.
- D603,012 S 10/2009 Fitzpatrick et al.
- D627,415 S 11/2010 Finn
- D636,832 S 4/2011 Mayberry et al.

OTHER PUBLICATIONS

Battle Arms Development Billet Lower Receiver <http://www.battlearmsdevelopment.com/bad556-lw-lightweight-7075-t6-billet-lower-receiver>.

(Continued)

Primary Examiner — Jonathan J Han
(74) *Attorney, Agent, or Firm* — Woodard, Emhardt, Henry, Reeves & Wagner, LLP

(57) **CLAIM**

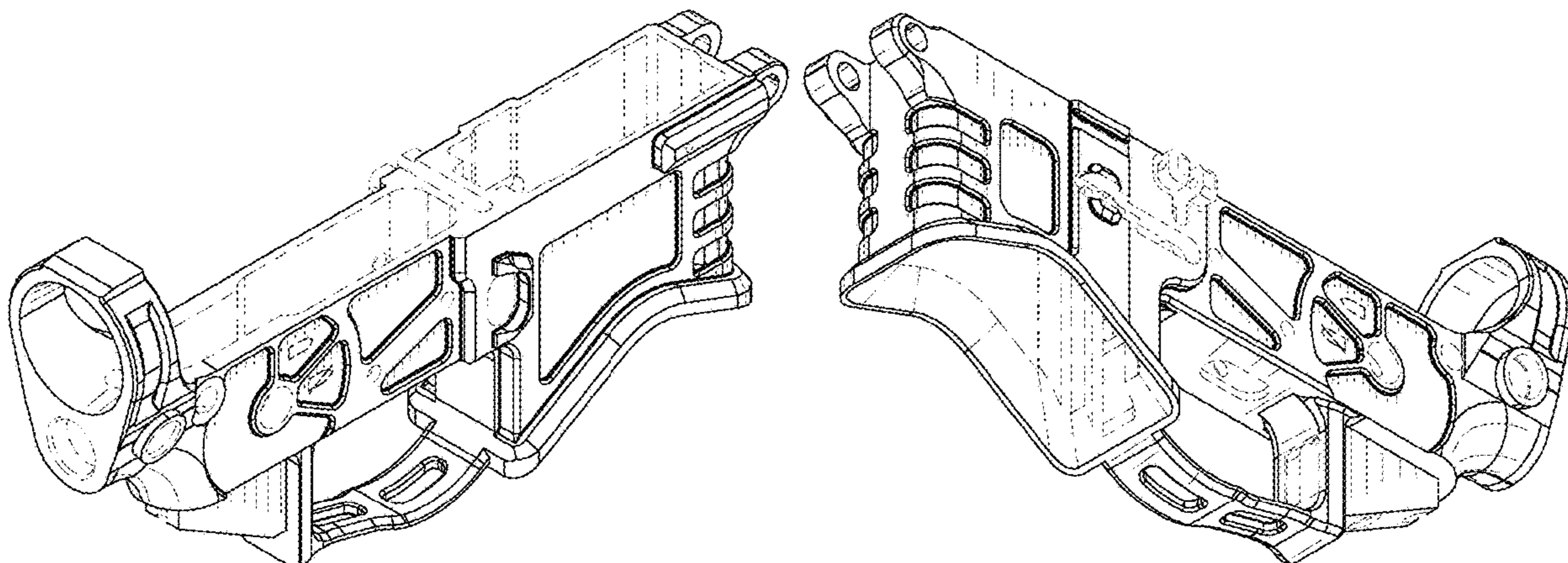
The ornamental design for a firearm receiver, as shown and described.

DESCRIPTION

FIG. 1 is a first perspective view of the a firearm receiver showing our new design;
FIG. 2 is a second perspective view thereof;
FIG. 3 is a third perspective view thereof;
FIG. 4 is a fourth perspective view thereof;
FIG. 5 is a right side view thereof;
FIG. 6 is a left side view thereof;
FIG. 7 is a front end view thereof;
FIG. 8 is a rear end view thereof;
FIG. 9 is a top view thereof; and,
FIG. 10 is a bottom view thereof.

The broken lines illustrate portions of the firearm receiver that form no part of the claimed design.

1 Claim, 4 Drawing Sheets



(56)

References Cited

U.S. PATENT DOCUMENTS

D760,860 S 7/2016 Vincent et al.
 D764,005 S * 8/2016 Neil D22/108
 D764,620 S 8/2016 Packard et al.
 D765,211 S 8/2016 Huang
 D773,585 S 12/2016 Miller, III
 D776,222 S 1/2017 Underwood
 D782,596 S 3/2017 Angstadt et al.
 D785,122 S 4/2017 Mather et al.
 D789,476 S 6/2017 Dustin et al.
 D795,379 S 8/2017 Frederickson et al.
 D795,983 S * 8/2017 Cross D22/108
 D796,619 S 9/2017 Morris
 D805,154 S 12/2017 Steele et al.
 9,897,402 B2 * 2/2018 Pettit F41A 9/61
 D815,710 S 4/2018 Packard et al.
 D820,937 S 6/2018 Hiler, Jr. et al.
 D826,362 S 8/2018 Sharps
 D833,563 S 11/2018 Snively
 D834,112 S * 11/2018 Chu D21/573
 D834,132 S * 11/2018 DeMonico D22/108
 D835,225 S 12/2018 Podgurny
 D841,109 S * 2/2019 Cross D22/108
 10,222,150 B2 3/2019 Reynolds
 D846,686 S * 4/2019 DeMonico D22/108
 D847,291 S * 4/2019 Demonico D22/108
 D849,175 S * 5/2019 Willits D22/108
 10,393,468 B2 * 8/2019 Maugham F41A 3/66
 D861,115 S * 9/2019 Podgurny D22/108
 D875,870 S * 2/2020 Baumbach D22/108
 D877,283 S * 3/2020 Hu D22/108
 D877,284 S * 3/2020 Hu D22/108
 D877,844 S * 3/2020 Hu D22/108
 D877,845 S * 3/2020 Hu D22/108
 D877,846 S * 3/2020 Hu D22/108
 D879,232 S * 3/2020 Willits D22/108
 D886,936 S * 6/2020 Oglesby D22/108

D943,702 S * 2/2022 Underwood D22/108
 D953,470 S * 5/2022 Windfeldt D22/108
 2017/0160032 A1 6/2017 Overstreet et al.
 2018/0347925 A1 * 12/2018 Gibbens F41A 3/66

OTHER PUBLICATIONS

Battle Arms Development Billet AR-15 Upper and Lower Receiver Set, PrimaryArms.com, [online], Retrieved from the Internet: < URL: <https://www.primaryarms.com/>>.
 Best AR-15 Lower Receiver For The Money Reviews, TheGunZone.com, by Norman Turner, [online], Retrieved from the internet: < URL: <https://thegunzone.com/>>.
 Rankin Industries AR-15 Upper and Lower Receiver Matched Set Milled Slick, WesternSports.com, [online], Retrieved from the Internet: < URL: <https://www.westernsport.com/>>.
 Saint AR-15 Series, [online] Retrieved from the Internet: <URL: <https://www.springfield-armory.com/>>.
 Seekins Precision SP223 Gen2 Billet Lower—Logo, PrimaryArms.com, [online], Retrieved from the Internet: < URL: <https://www.primaryarms.com/>>.
 Sharps Bros Hellbreaker AR-15 Lower Receiver—Gen 2, RainierArms.com, [online], Retrieved from the Internet: < URL: <https://www.rainierarms.com/?source=pepperjam&publisher=84074&click=2644422134&clickId=2644422>>.
 Springfield Armory Adds New Saint Edge r.56 Rifle, AmmericanRifelman.org, by Joe Kurtencach, Nov. 15, 2017, [online], Retrieved from the Internet: < URL: <https://www.americanrifelman.org/>>.
 Springfield Saint Edge vs Original Saint, [online], YouTube.com, Marksman TV, Published Feb. 16, 2018, Retrieved from the Internet: < URL: <https://video.search.yahoo.com/search/video?fr=yfp-t&p=springfeld+saint+edge+vs+original+saint#id=1&>>.
 Battle Arms Development. Upper-Lower Receivers. <http://www.battlearmsdevelopment.com/products/upper-lower-receivers/>.

* cited by examiner

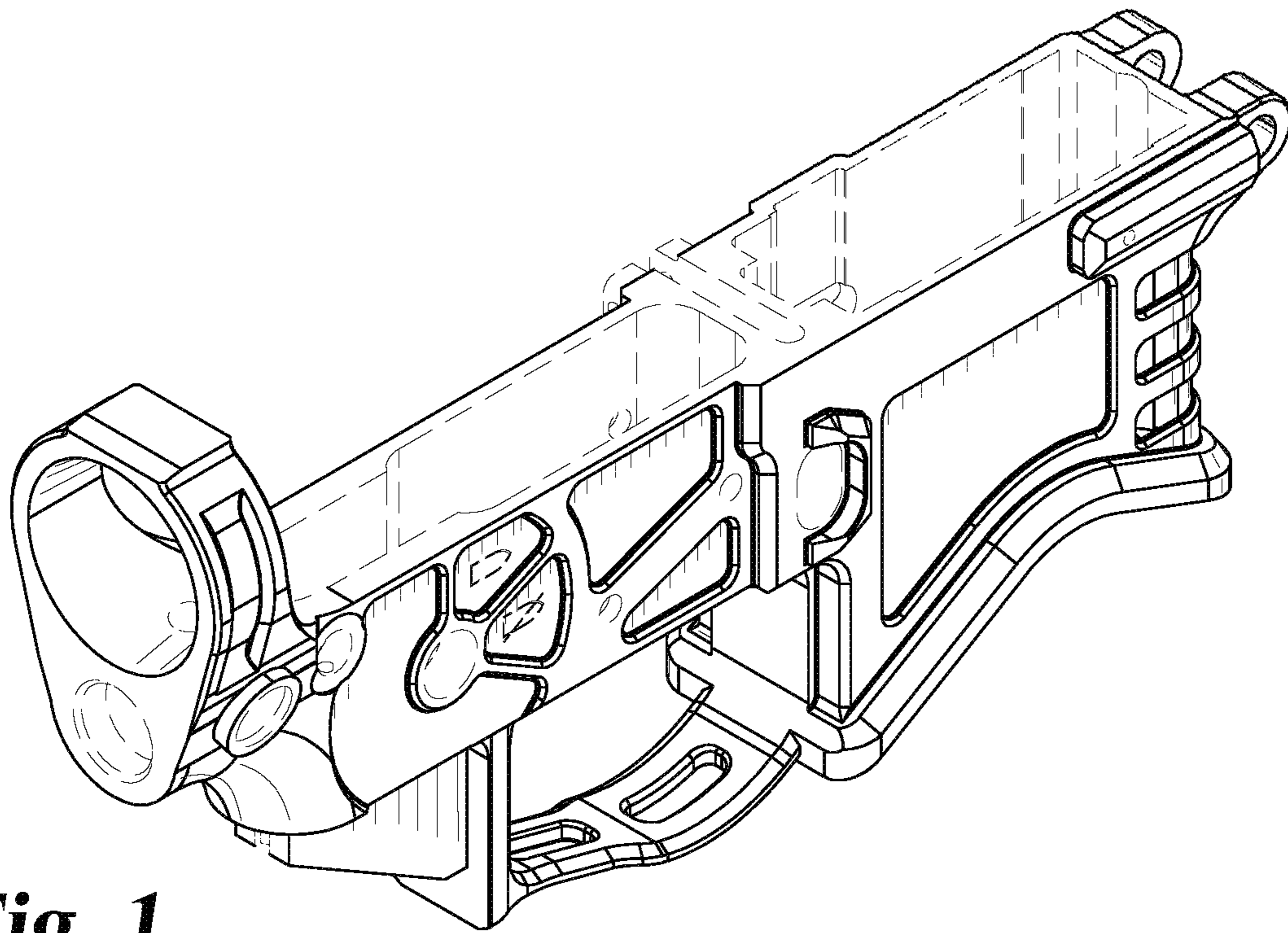


Fig. 1

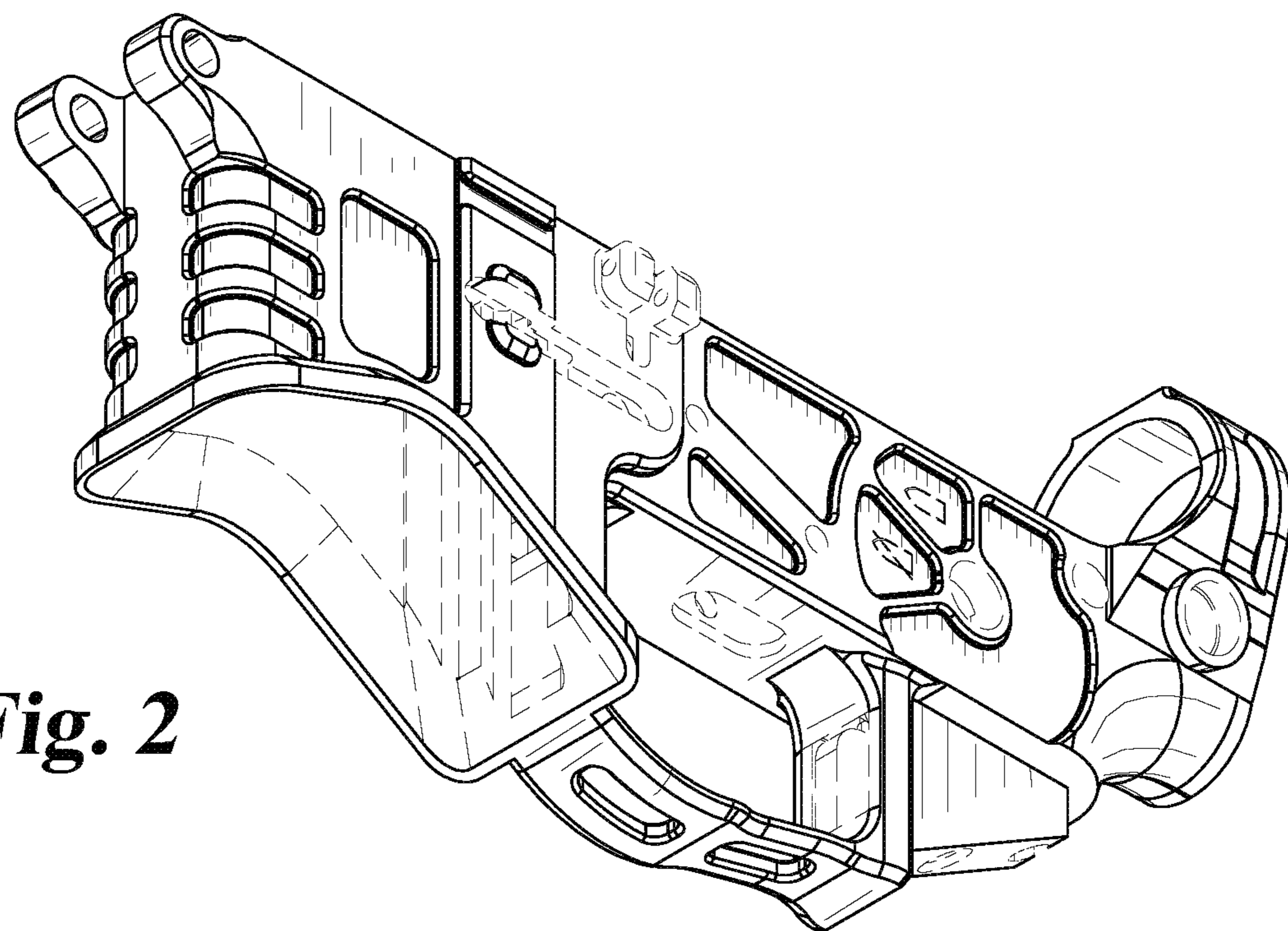


Fig. 2

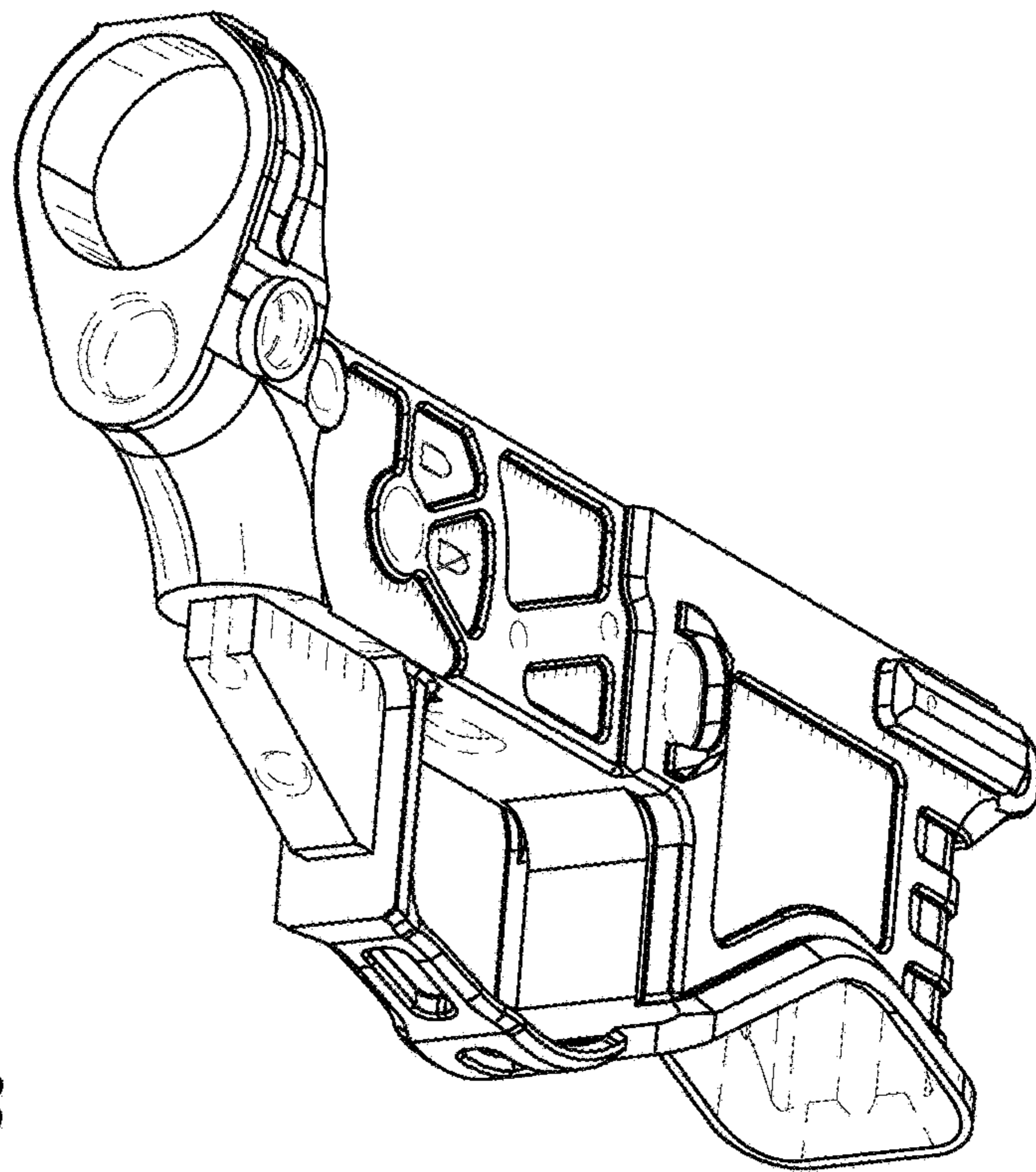


Fig. 3

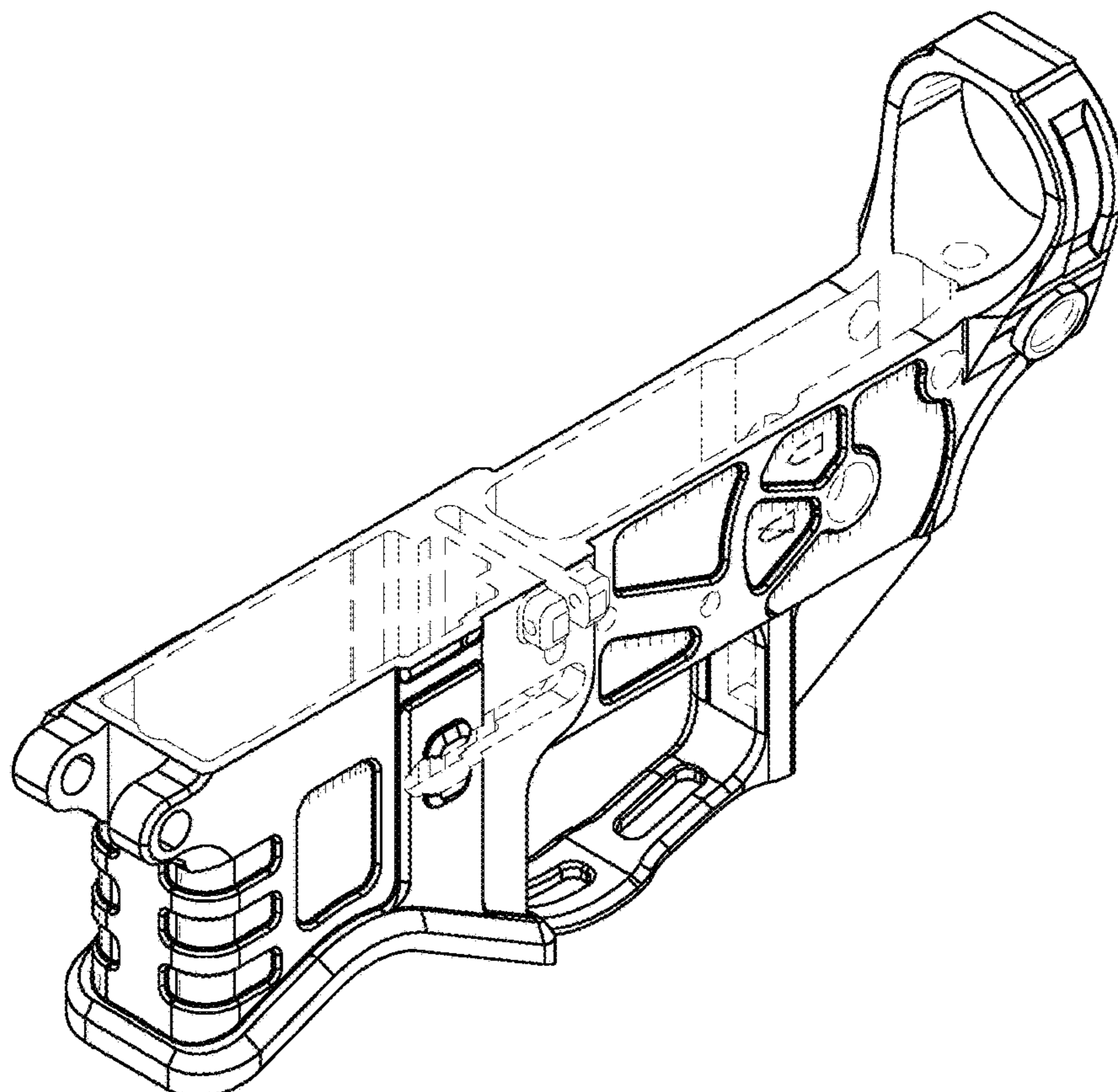


Fig. 4

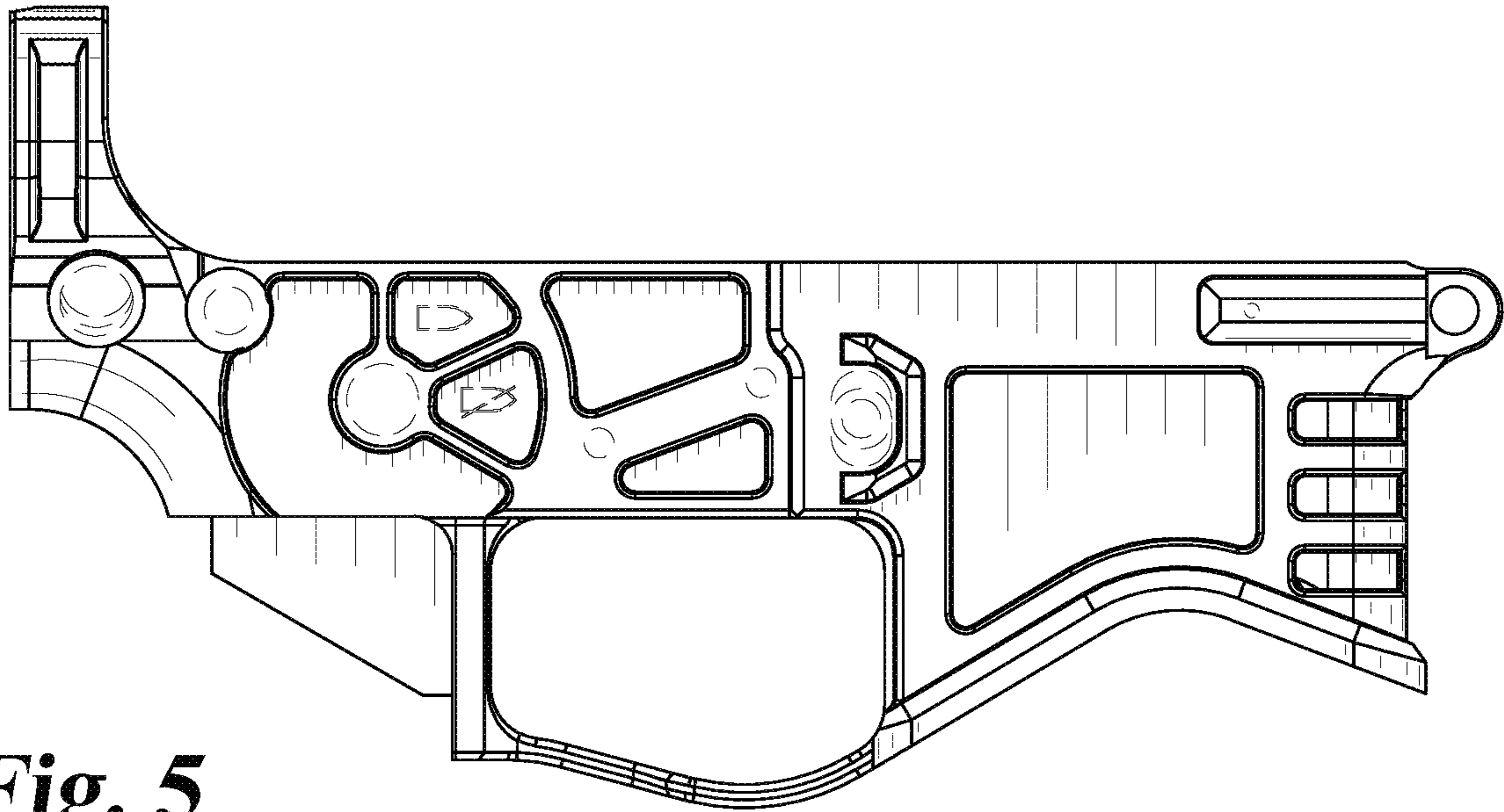


Fig. 5

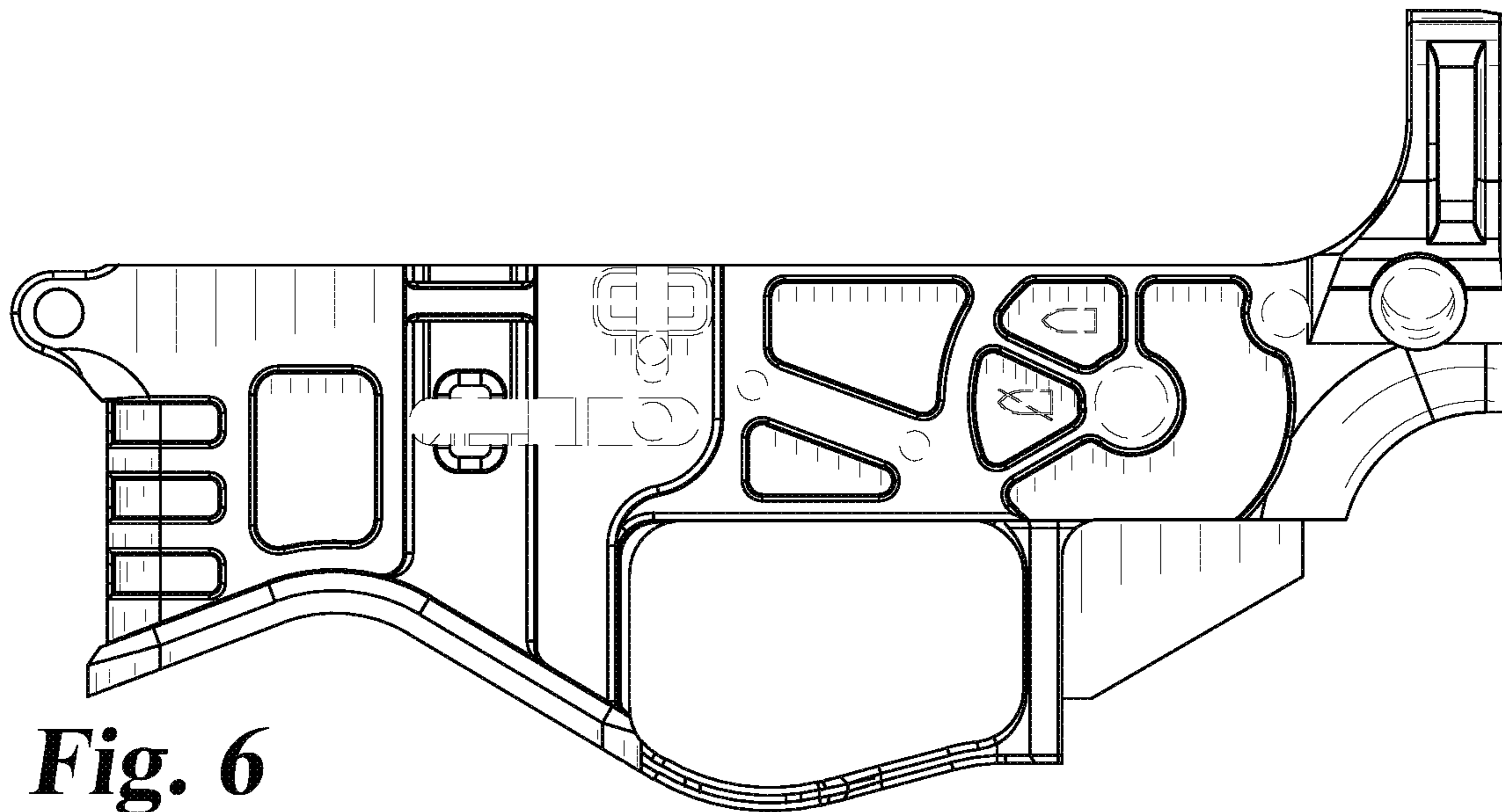


Fig. 6

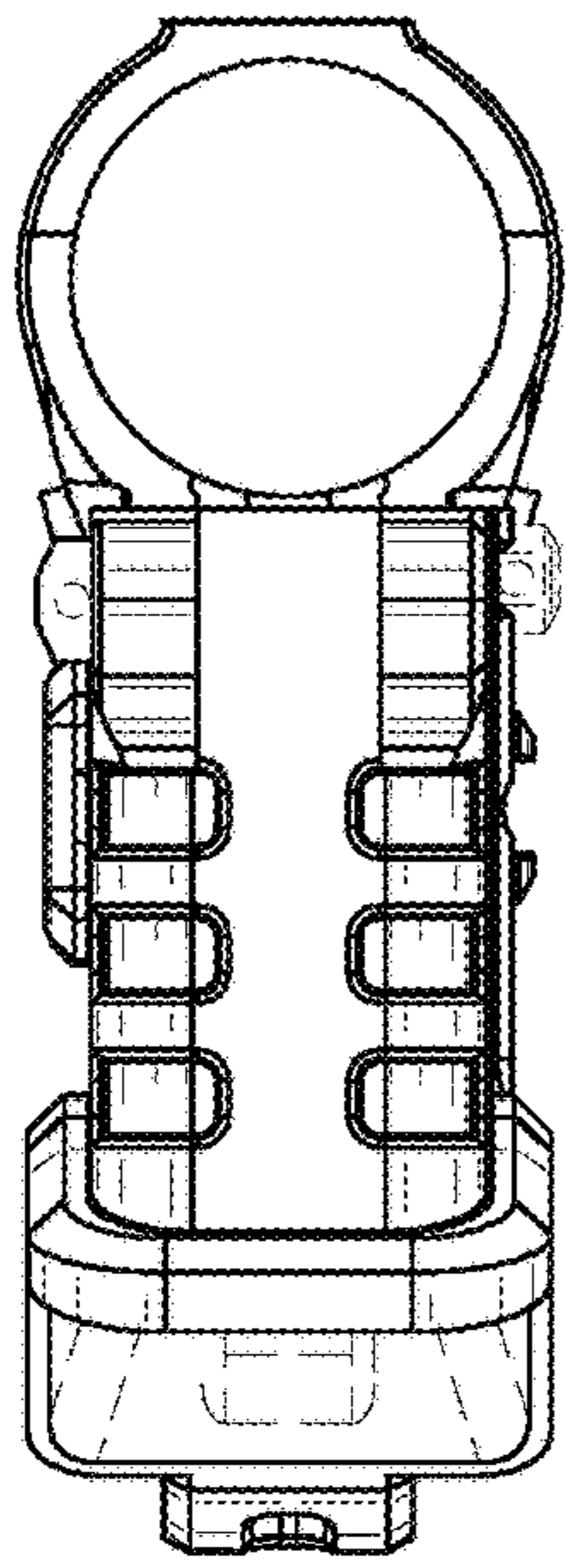


Fig. 7

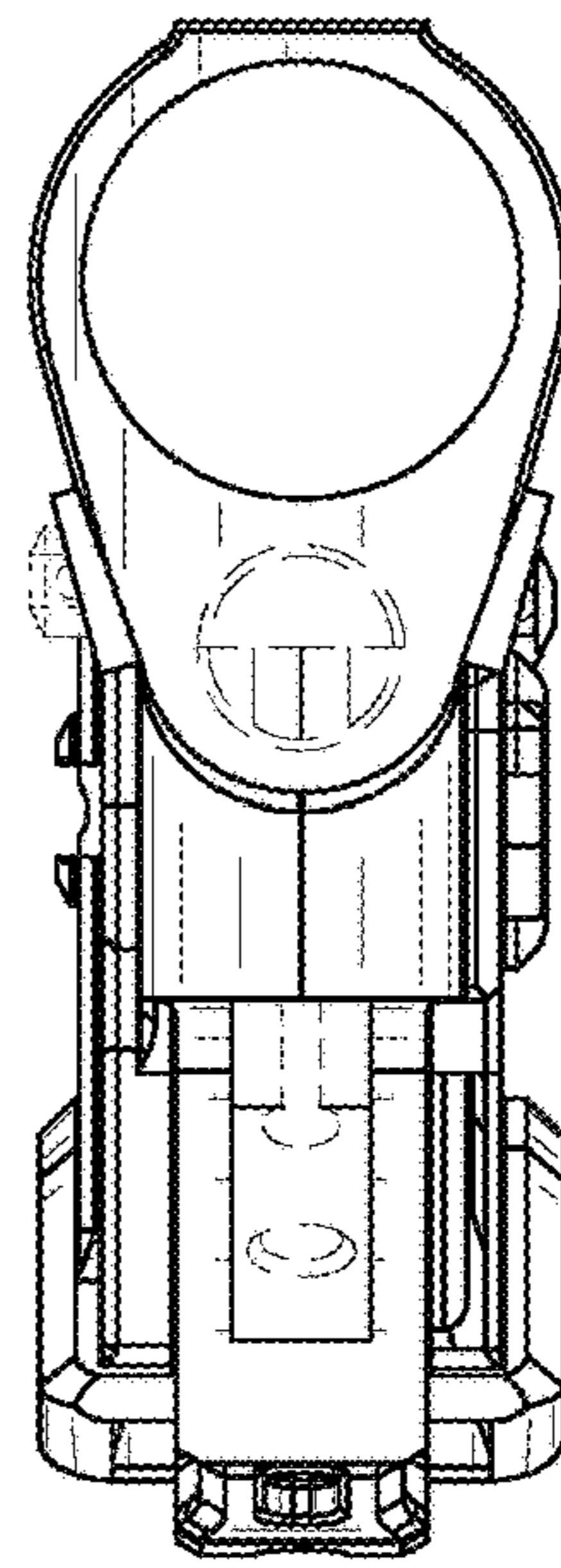


Fig. 8

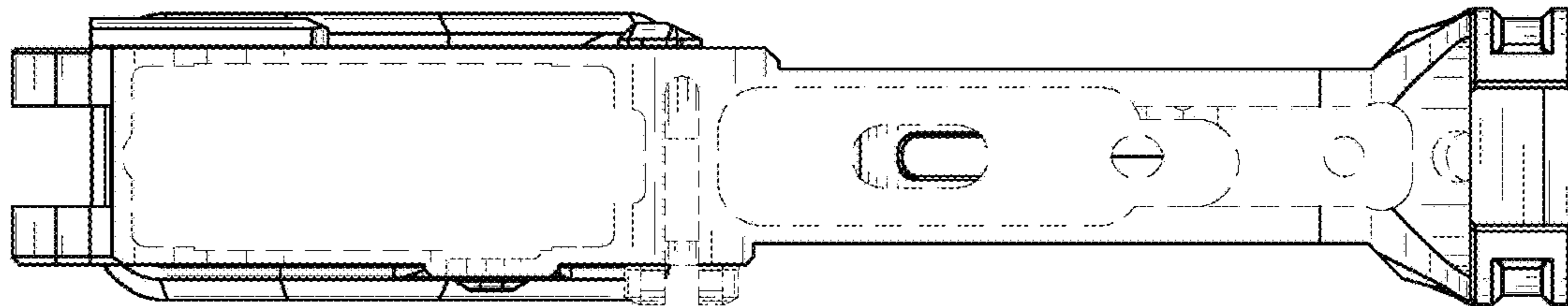


Fig. 9

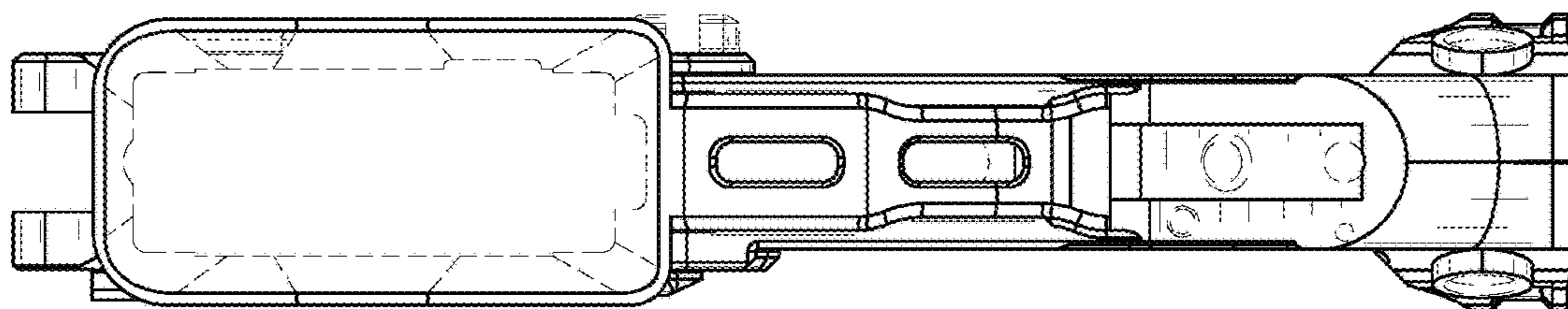


Fig. 10