



US00D987009S

(12) **United States Design Patent**
Jastraunig et al.

(10) **Patent No.:** **US D987,009 S**

(45) **Date of Patent:** **** May 23, 2023**

(54) **CHAMBER SAFETY FLAG**

(71) Applicant: **GLOCK TECHNOLOGY GMBH**,
Ferlach (AT)

(72) Inventors: **Philipp Jastraunig**, Klagenfurt (AT);
Karl Markut, Klagenfurt (AT)

(73) Assignee: **GLOCK TECHNOLOGY GMBH**,
Ferlach (AT)

(**) Term: **15 Years**

(21) Appl. No.: **29/779,352**

(22) Filed: **Apr. 19, 2021**

(51) **LOC (14) Cl.** **22-01**

(52) **U.S. Cl.**
USPC **D22/108**; D14/418; D21/567; D21/572;
D21/573; D21/574; D21/575; D22/199

(58) **Field of Classification Search**
USPC D14/418; D21/567, 572-575; D22/108,
D22/199
CPC F41A 3/18; F41A 3/26; F41A 3/72; F41A
7/00; F41A 7/02; F41A 35/06
See application file for complete search history.

(56) **References Cited**

U.S. PATENT DOCUMENTS

4,196,533	A *	4/1980	Kamphausen	G09F 3/206 40/645
4,835,894	A	6/1989	Libassi		
D306,627	S *	3/1990	Fox	D21/718
5,097,613	A	3/1992	Miller		
D332,974	S *	2/1993	Asselin	D20/41
5,247,900	A *	9/1993	Sobczak	G09F 17/00 116/211
D354,084	S *	1/1995	Leighton	D20/17

(Continued)

FOREIGN PATENT DOCUMENTS

CN	208765573	U	4/2019
CN	210128657	U	3/2020
CN	111256527	A	6/2020

OTHER PUBLICATIONS

Ergo, Online Product Page Rifle Safety Chamber Flag. Earliest Publication Date: Sep. 25, 2020. Date Accessed: Feb. 21, 2023. Retrieved from Internet URL: https://truenortharms.com/ar15_default_store_view/ergo-rifle-safety-chamber-flag-3-pack.html (Year: 2020).*

(Continued)

Primary Examiner — S. Bryan Reinholdt, Jr.

Assistant Examiner — Kaitlan N. Oliver

(74) *Attorney, Agent, or Firm* — Raven Patents, LLC;
Anton E. Skaugset

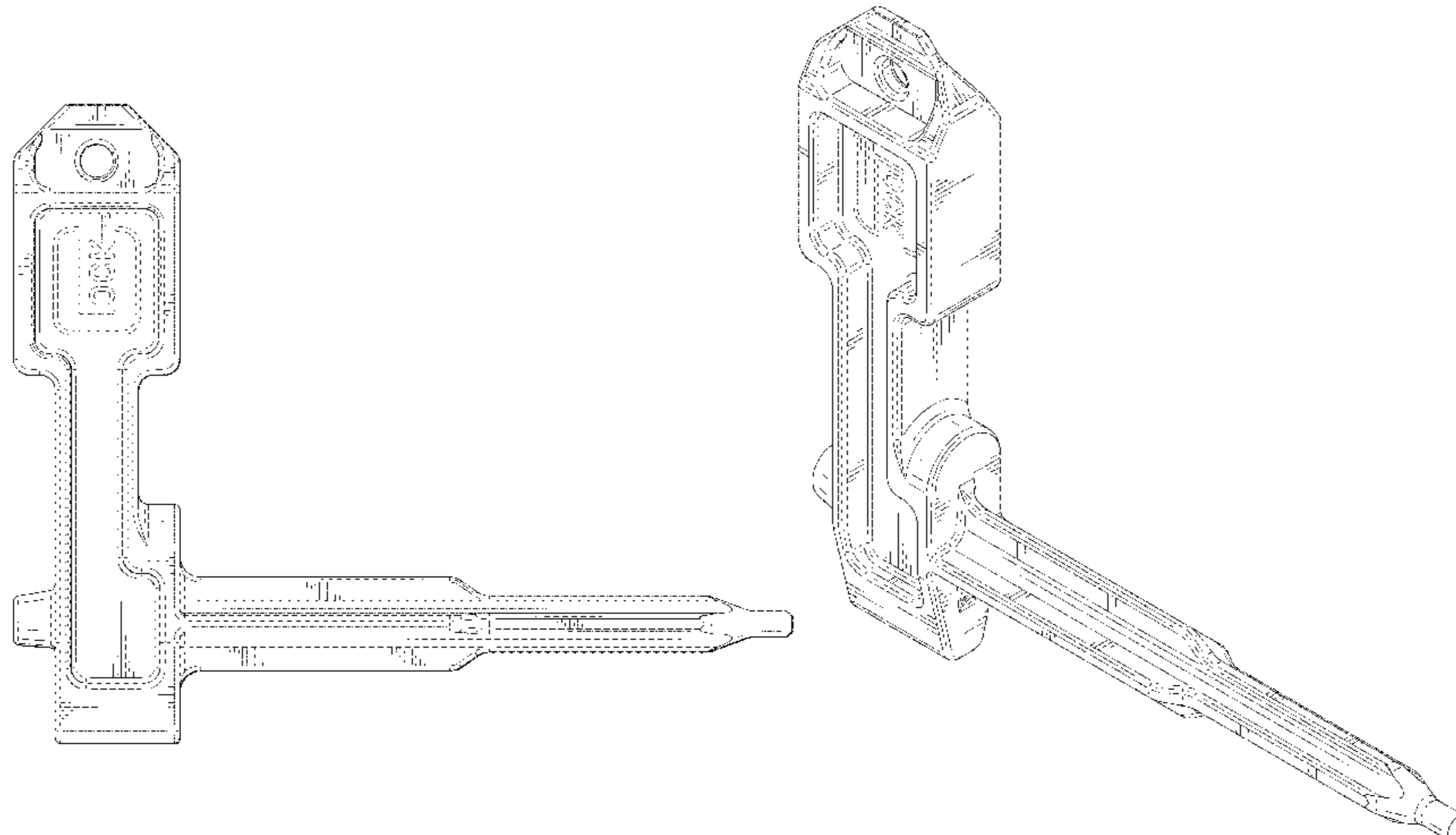
(57) **CLAIM**

The ornamental design for a chamber safety flag, as shown and described.

DESCRIPTION

FIG. 1 is an upper, rear, and left-side perspective view showing the new design;
FIG. 2 is a rear elevation view thereof;
FIG. 3 is a front elevation view thereof;
FIG. 4 is a right-side elevation view thereof;
FIG. 5 is a left-side elevation view thereof;
FIG. 6 is a bottom plan view thereof;
FIG. 7 is a top plan view thereof;
FIG. 8 is a lower, left-side, and rear perspective view thereof;
FIG. 9 is an upper, right-side, and front perspective view thereof; and,
FIG. 10 is a lower, right-side, and front perspective view thereof.
The broken lines depict portions of the chamber safety flag that form no part of the claimed design.
Structures depicted with broken lines form no part of the claimed design.

1 Claim, 8 Drawing Sheets



(56)

References Cited

U.S. PATENT DOCUMENTS

D359,888 S * 7/1995 Bayly D20/26
D367,512 S * 2/1996 Whelan, Jr. D7/300.2
D373,170 S * 8/1996 Kosa D22/115
D375,979 S * 11/1996 Adams D20/26
6,250,008 B1 6/2001 Silver
D501,891 S * 2/2005 Kaplan D20/41
D526,371 S * 8/2006 Bayfield D21/718
8,850,738 B2 10/2014 Silver
D717,129 S * 11/2014 Cline D7/683
D779,016 S * 2/2017 Rumpke D22/108
9,810,499 B1 11/2017 Silver
9,816,770 B2 * 11/2017 Sumoba F41A 9/53
D827,761 S * 9/2018 Rumpke D22/108
D828,477 S * 9/2018 Warburton D22/108
2017/0356711 A1 * 12/2017 Lessard F41A 17/44

OTHER PUBLICATIONS

Double Alpha, Online Product Page Chamber Flag. Earliest Review Date: Oct. 6, 2020. Date Accessed: Feb. 21, 2023. Retrieved from Internet URL: <https://www.doublealpha.biz/us/chamber-flag> (Year: 2020).*

* cited by examiner

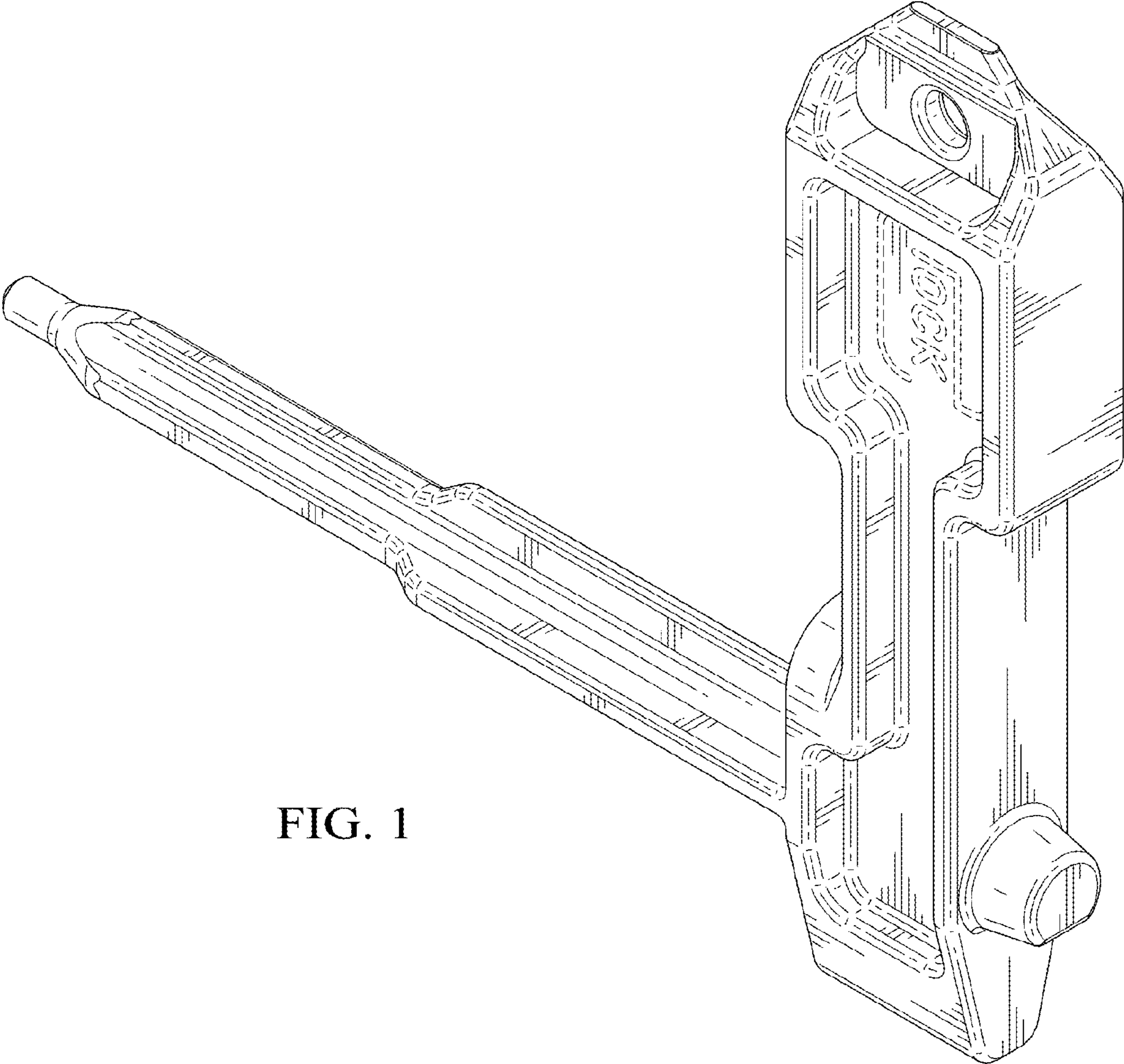


FIG. 1

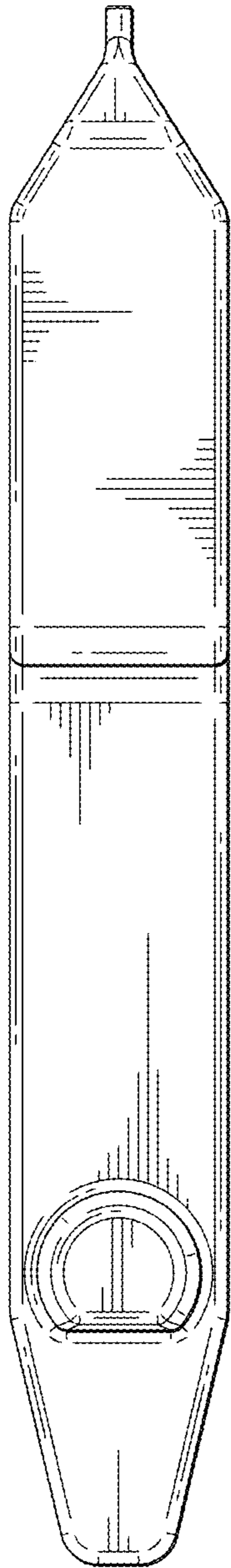


FIG. 2

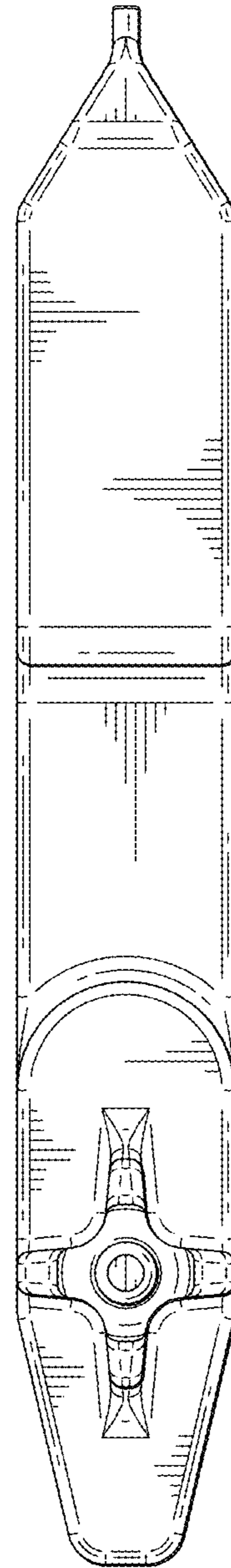


FIG. 3

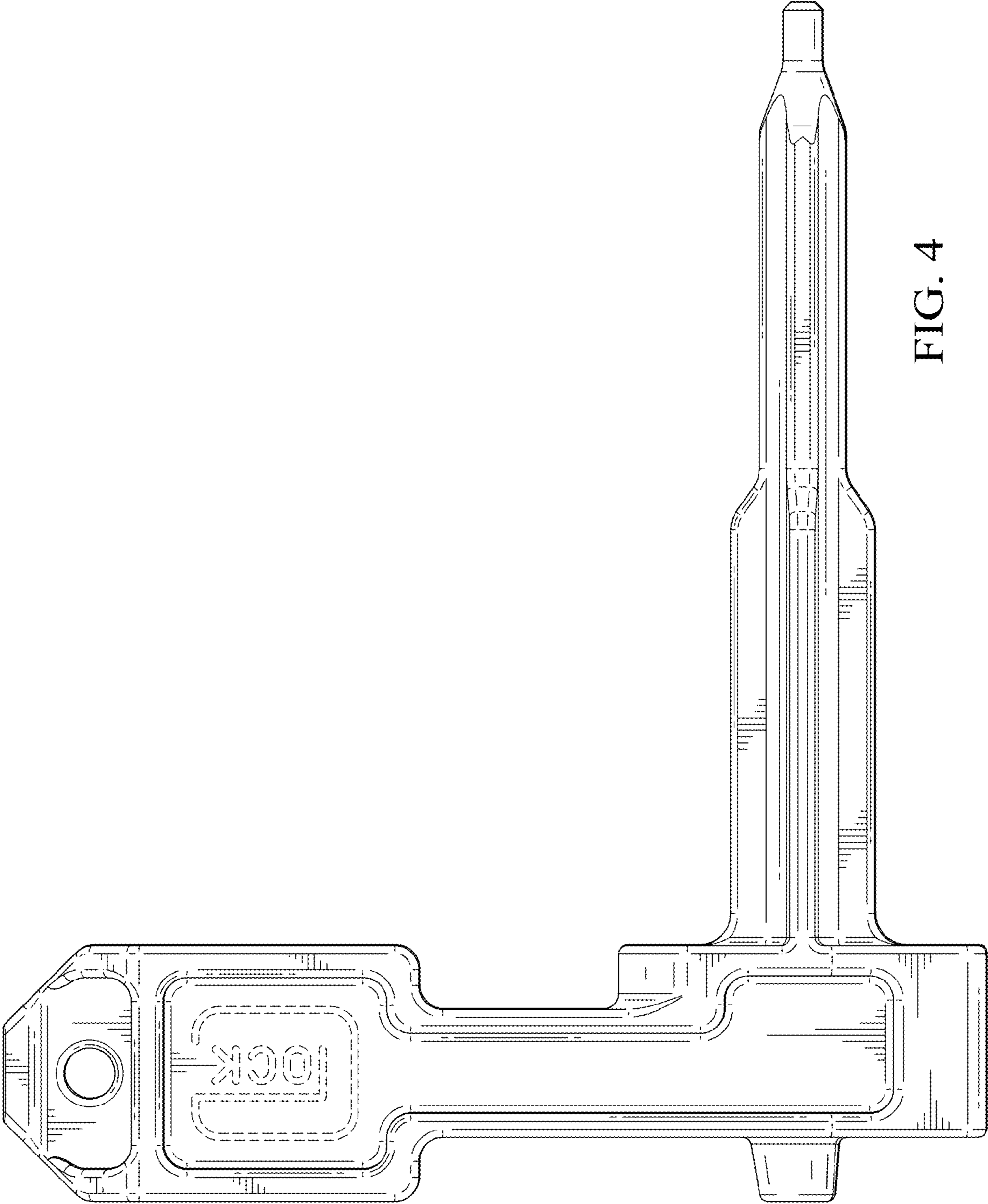


FIG. 4

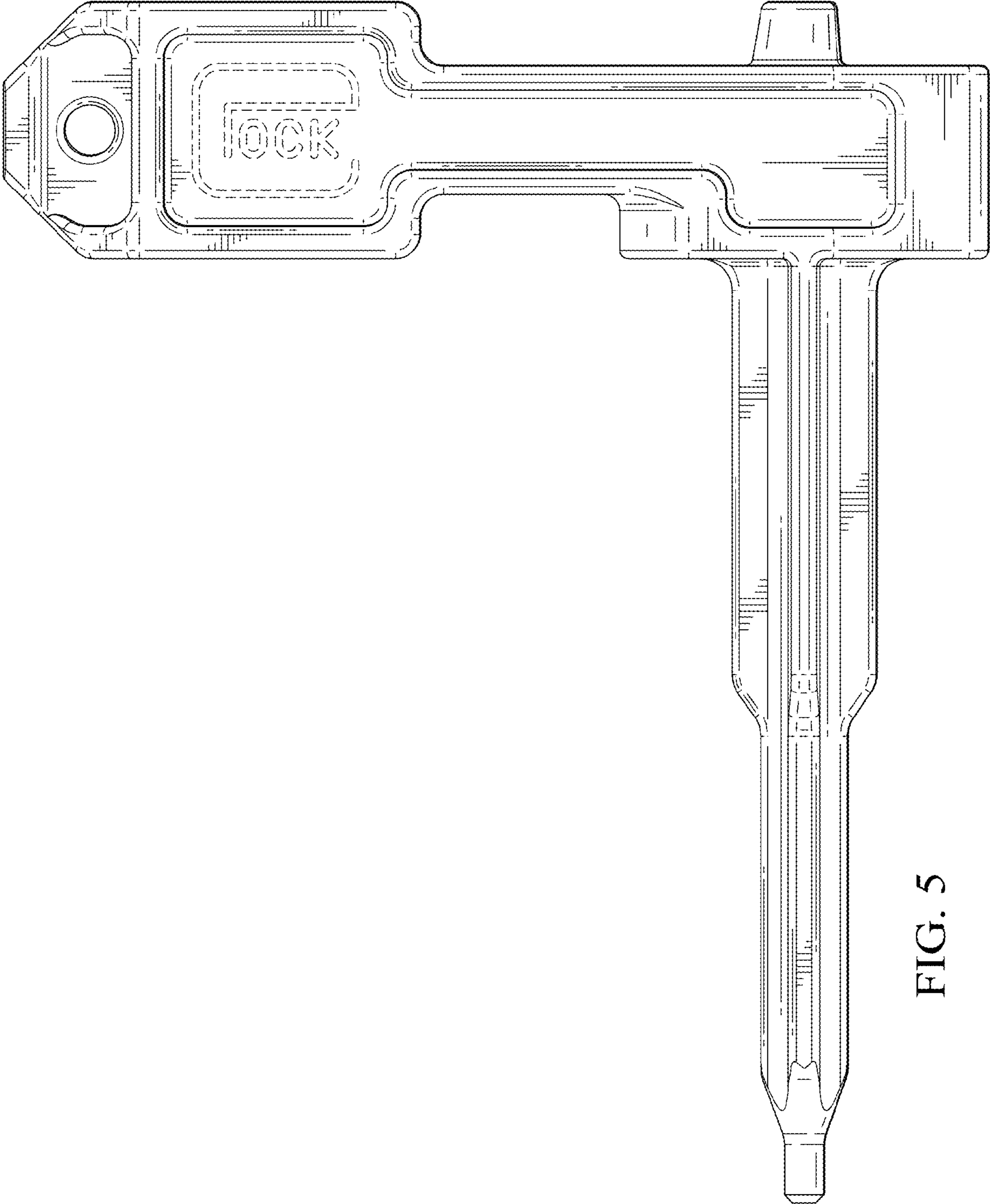


FIG. 5

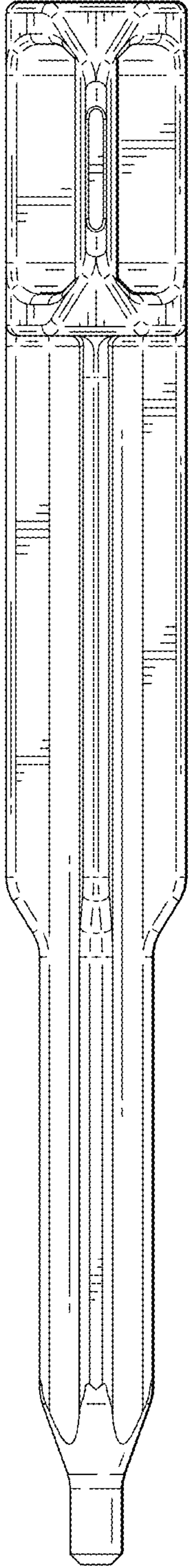


FIG. 6

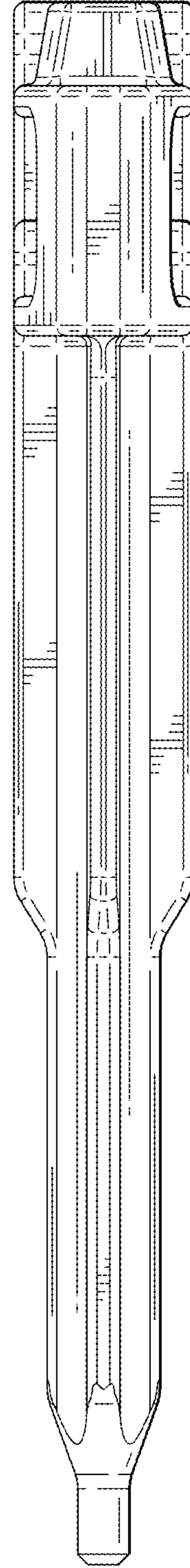


FIG. 7

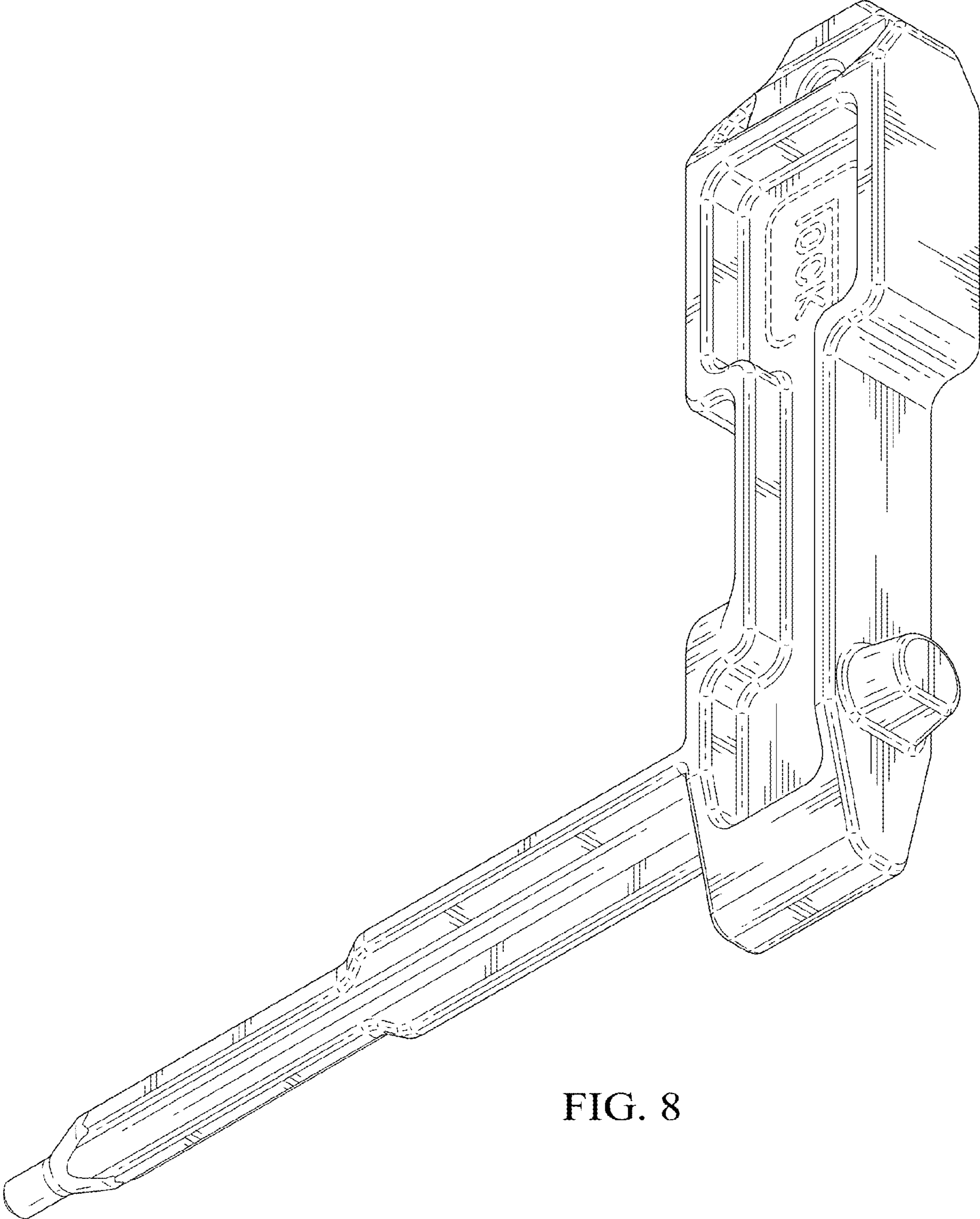


FIG. 8

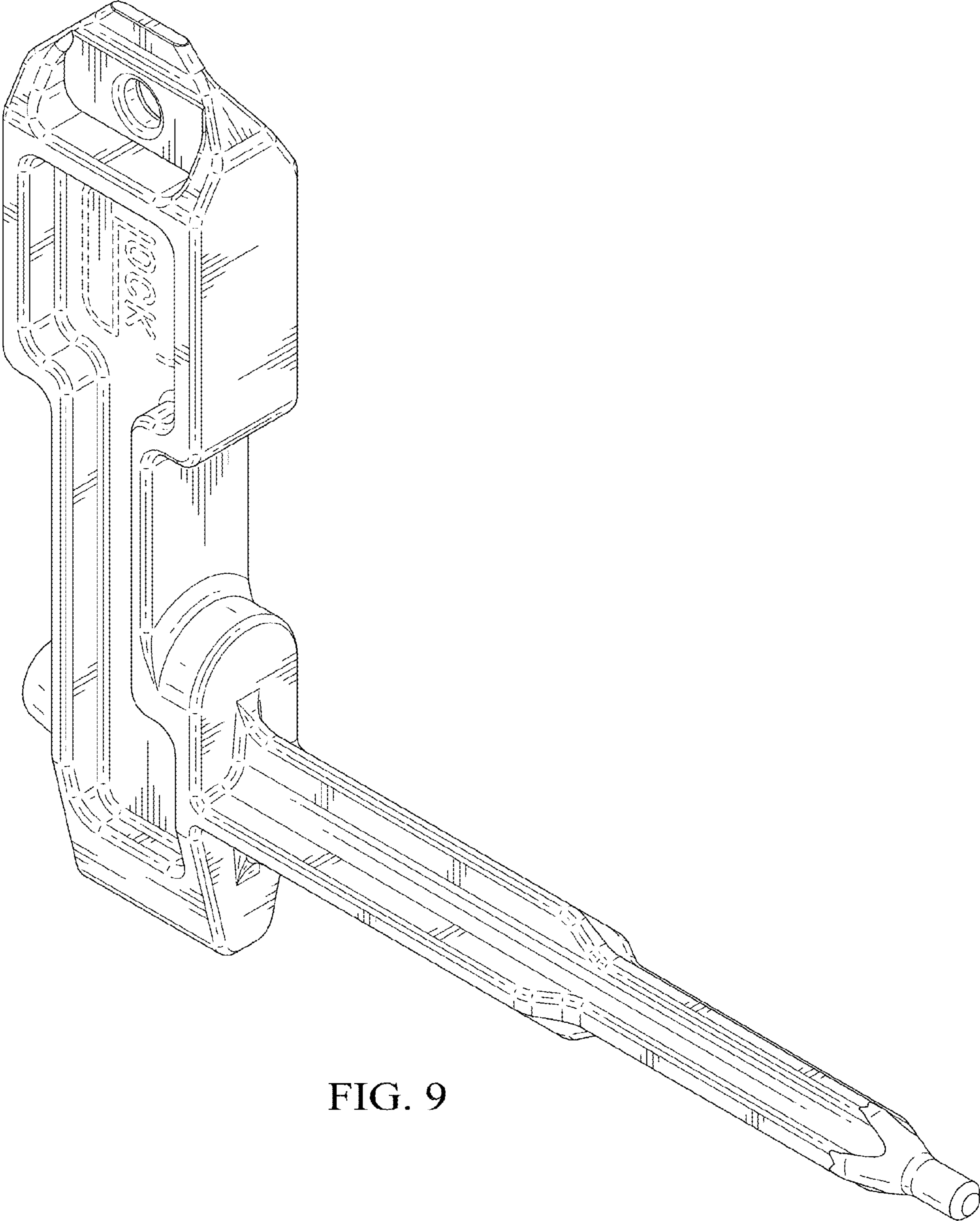


FIG. 9

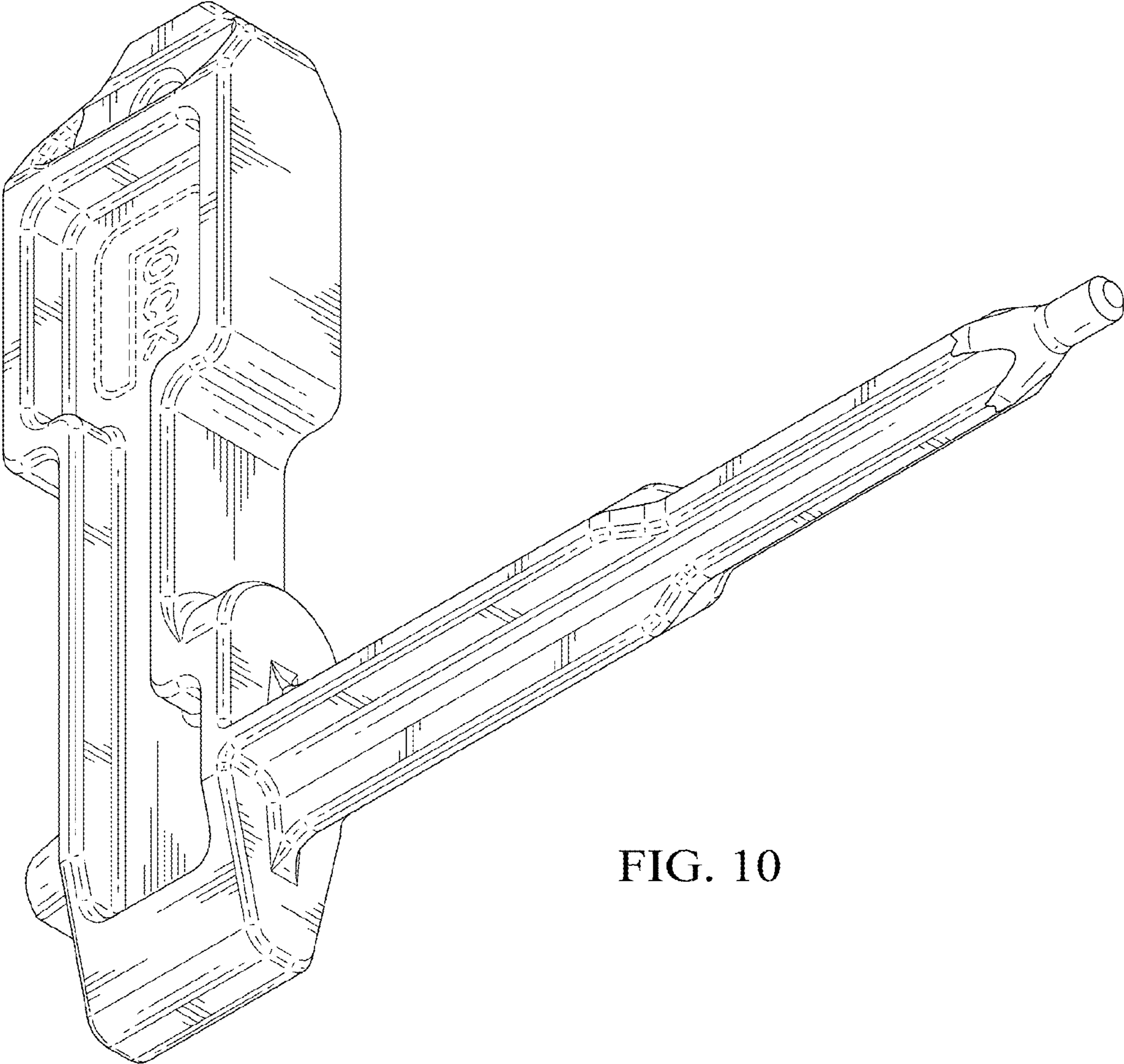


FIG. 10