



US00D987008S

(12) **United States Design Patent** (10) **Patent No.:** **US D987,008 S**  
**Wang** (45) **Date of Patent:** **\*\* May 23, 2023**

(54) **TENT**

(71) Applicant: **Cheng Wang**, Shenzhen (CN)

(72) Inventor: **Cheng Wang**, Shenzhen (CN)

(\*\*) Term: **15 Years**

(21) Appl. No.: **29/858,321**

(22) Filed: **Oct. 31, 2022**

(51) **LOC (14) Cl.** ..... **21-04**

(52) **U.S. Cl.**  
USPC ..... **D21/834**; D21/838

(58) **Field of Classification Search**  
USPC .... D21/834, 835, 837, 838; D25/13, 16, 26,  
D25/56, 57  
CPC ..... E04H 15/00; E04H 15/42; E04H 15/52  
See application file for complete search history.

(56) **References Cited**

**U.S. PATENT DOCUMENTS**

D224,761 S *	9/1972	Pohl et al.	.....	D21/834
5,467,794 A *	11/1995	Zheng	.....	E04H 15/006 135/117
D652,886 S *	1/2012	Pedersen	.....	D21/834
D687,116 S *	7/2013	Jin	.....	D21/834
D689,157 S *	9/2013	Lucero	.....	D21/834
D689,158 S *	9/2013	Lucero	.....	D21/834
D695,376 S *	12/2013	Jin	.....	D21/834
D696,373 S *	12/2013	Jin	.....	D21/834
D702,791 S *	4/2014	Jin	.....	D21/834
8,869,814 B2 *	10/2014	Jin	.....	E04H 15/34 135/94
D933,769 S	10/2021	Cheng		
D939,657 S	12/2021	Hale		
D940,810 S	1/2022	Qin		
D941,418 S *	1/2022	Lafoux	.....	D21/834
2012/0152293 A1 *	6/2012	Lucero	.....	E04H 15/14 135/117

**FOREIGN PATENT DOCUMENTS**

CN 304096785 \* 4/2017

**OTHER PUBLICATIONS**

REI Website. REI Co-op Quarter Dome SL 1 Tent, No Available Date[Website Visited Dec. 22, 2022], Available on the Internet URL <https://www.rei.com/product/147862/rei-co-op-quarter-dome-sl-1-tent> (Year: NA).\*

Thule Website, Thule Tepui Explorer Kukenam, No Available Date[Website Visited Dec. 22, 2022], Available on the Internet URL <https://www.thule.com/en-us/rooftop-tents-and-accessories/rooftop-tents/thule-tepui-explorer-kukenam-3--901301> (Year: NA).\*

\* cited by examiner

*Primary Examiner* — S. Bryan Reinholdt, Jr.

*Assistant Examiner* — James T Tyree

(74) *Attorney, Agent, or Firm* — Rumit Ranjit Kanakia

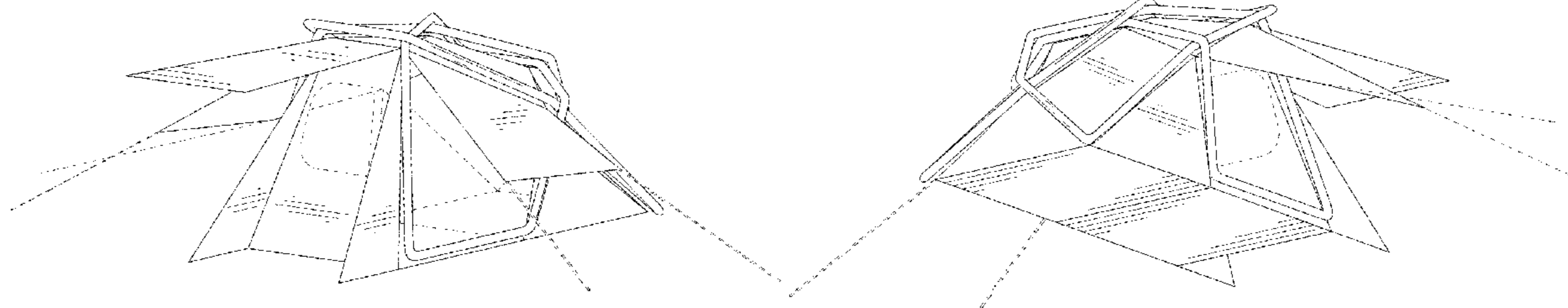
(57) **CLAIM**

The ornamental design for a tent, as shown and described.

**DESCRIPTION**

FIG. 1 is a first perspective view of a tent showing my new design;  
FIG. 2 is a second perspective view thereof;  
FIG. 3 is a front view thereof;  
FIG. 4 is a back view thereof;  
FIG. 5 is a left side view thereof;  
FIG. 6 is a right side view thereof;  
FIG. 7 is a top view thereof; and,  
FIG. 8 is a bottom view thereof.  
The broken lines shown in the drawings depict portions of the tent that form no part of the claimed design.

**1 Claim, 8 Drawing Sheets**



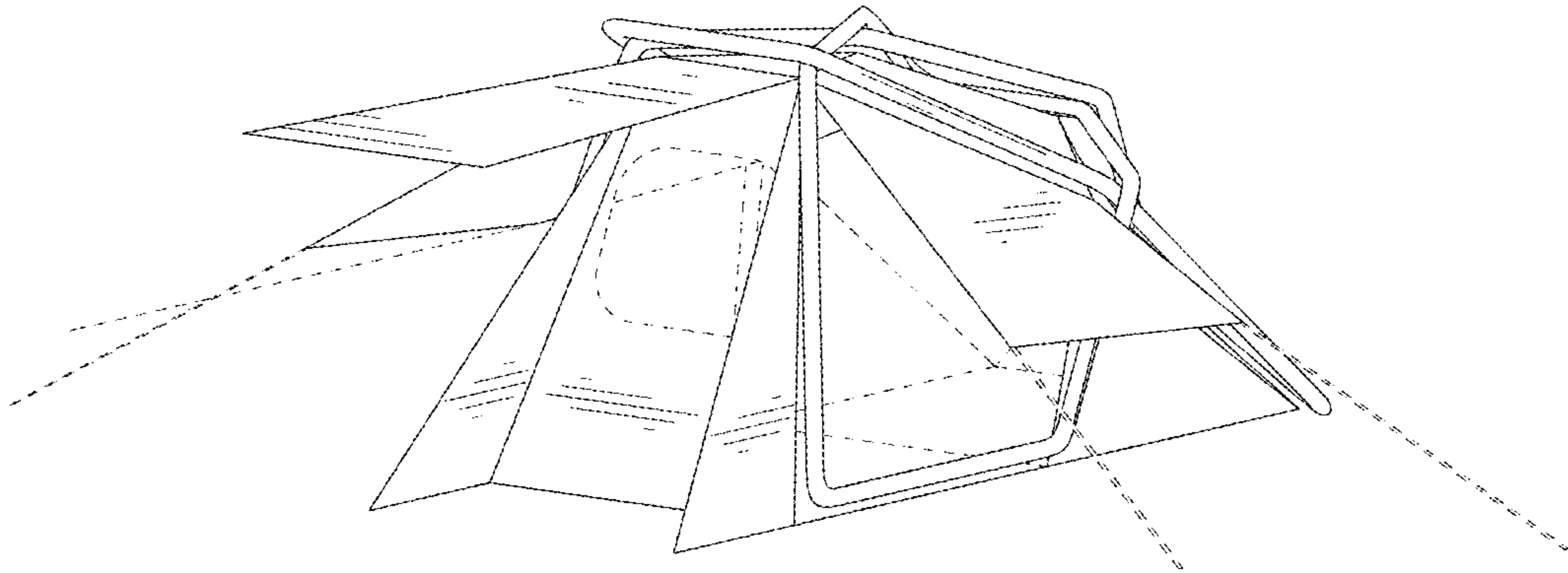


FIG. 1

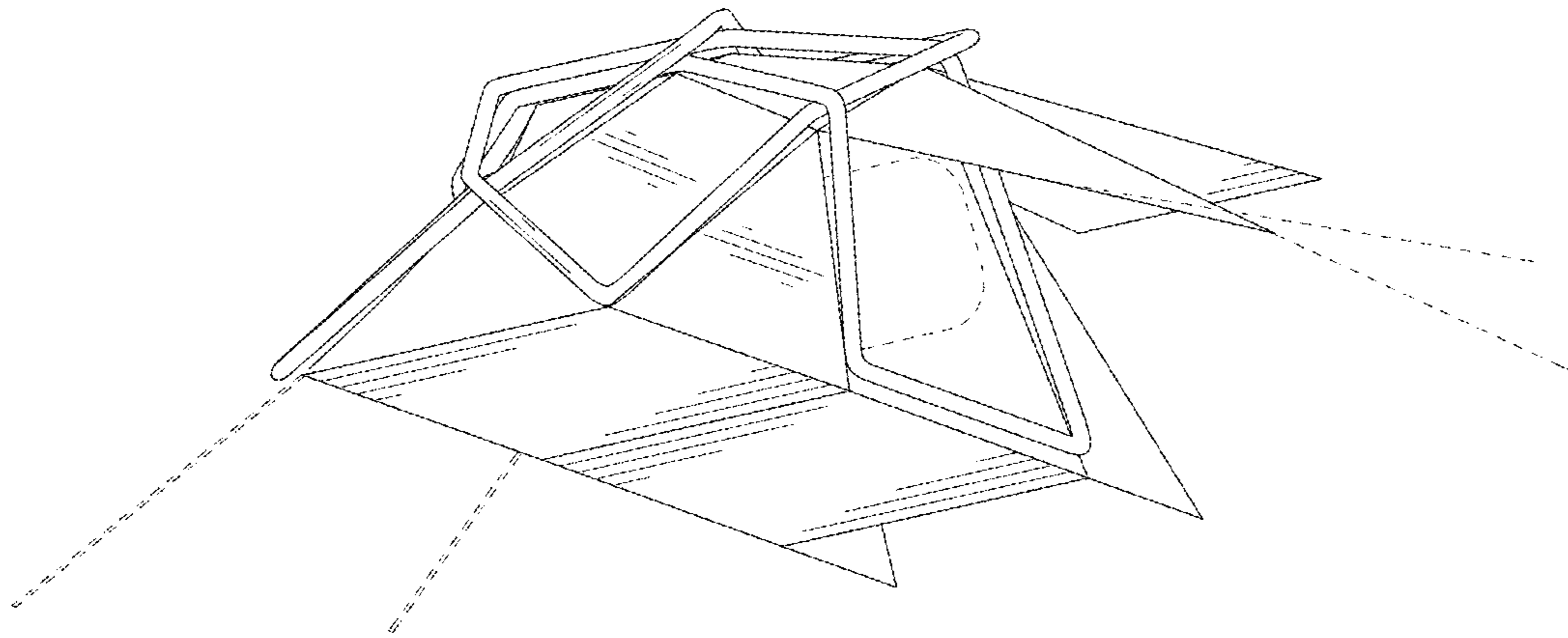


FIG. 2

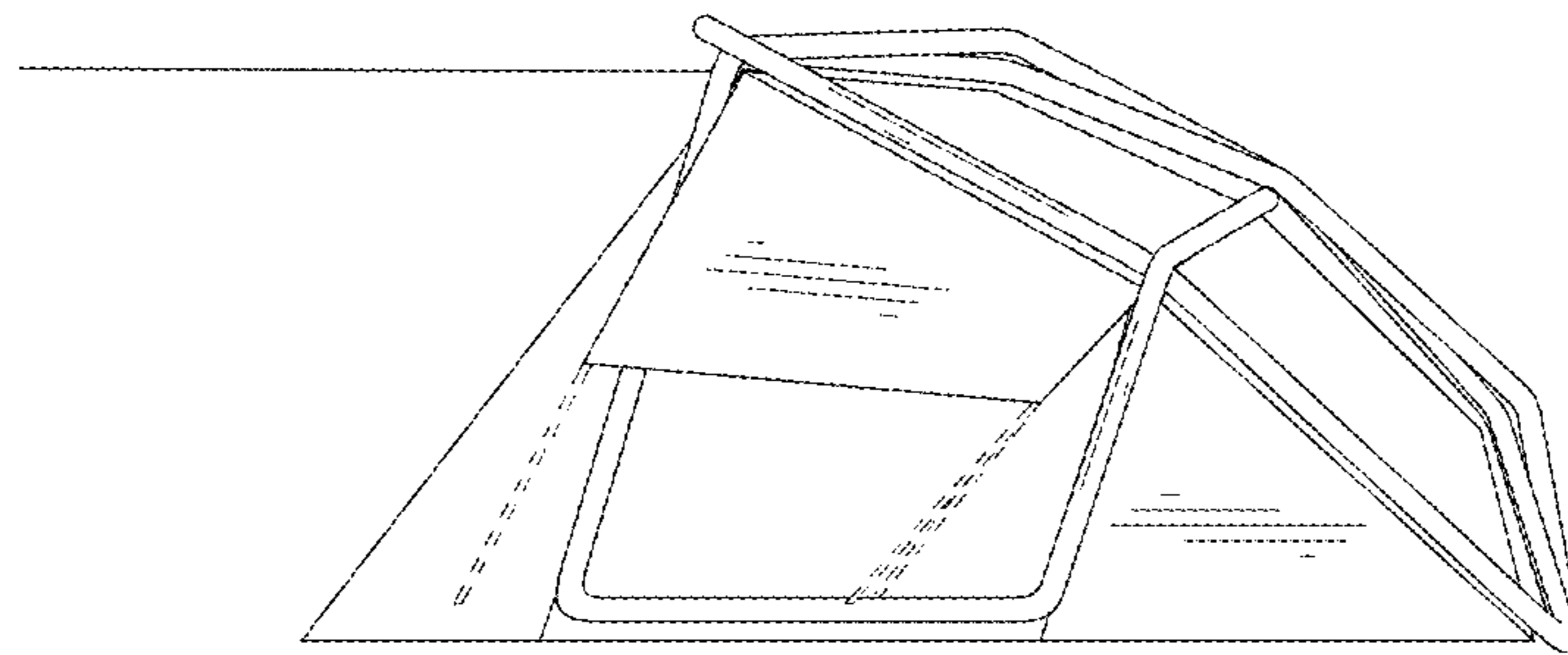


FIG. 3

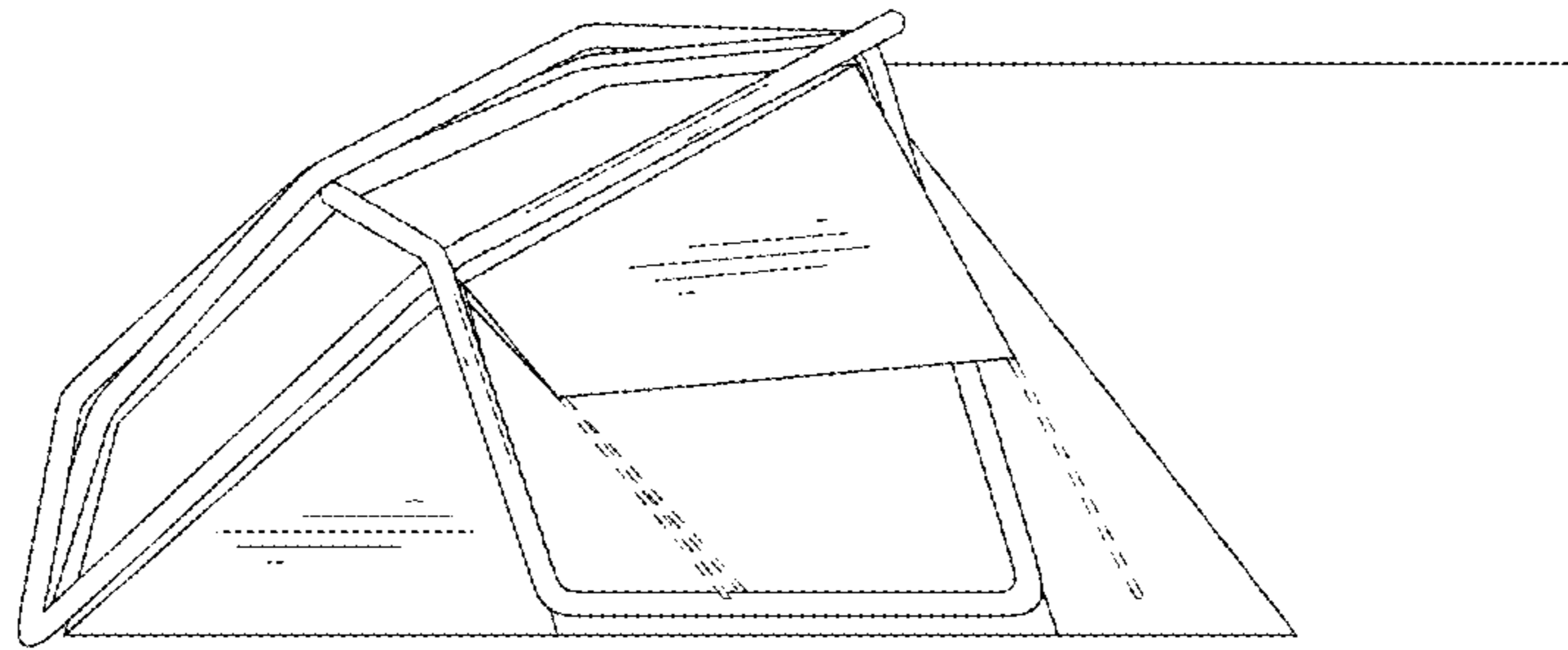


FIG. 4

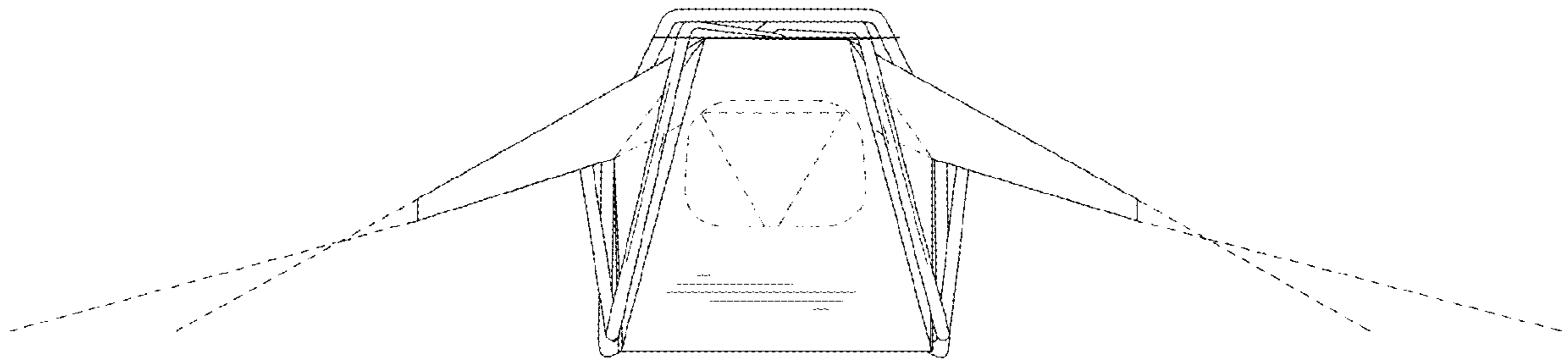


FIG. 5

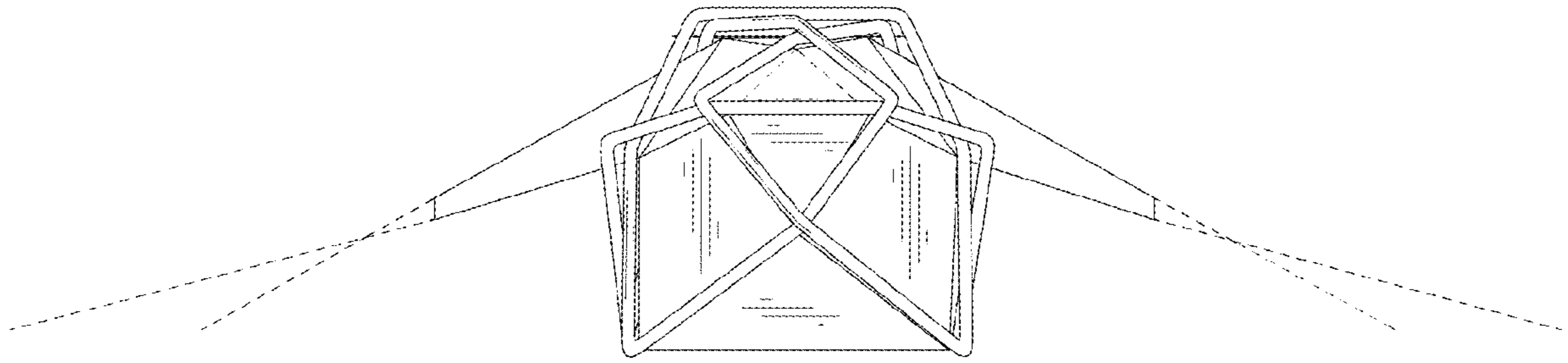


FIG. 6

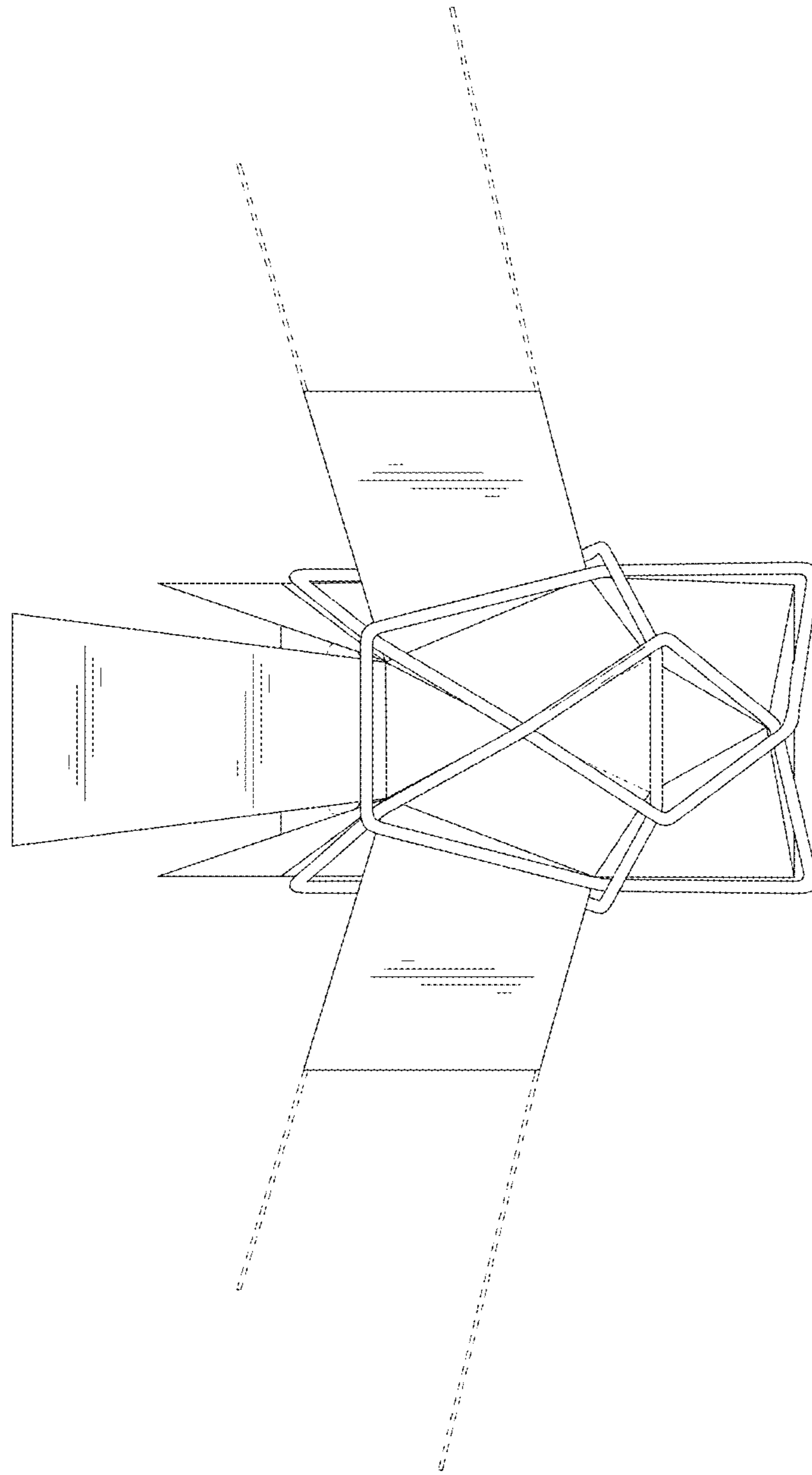


FIG. 7



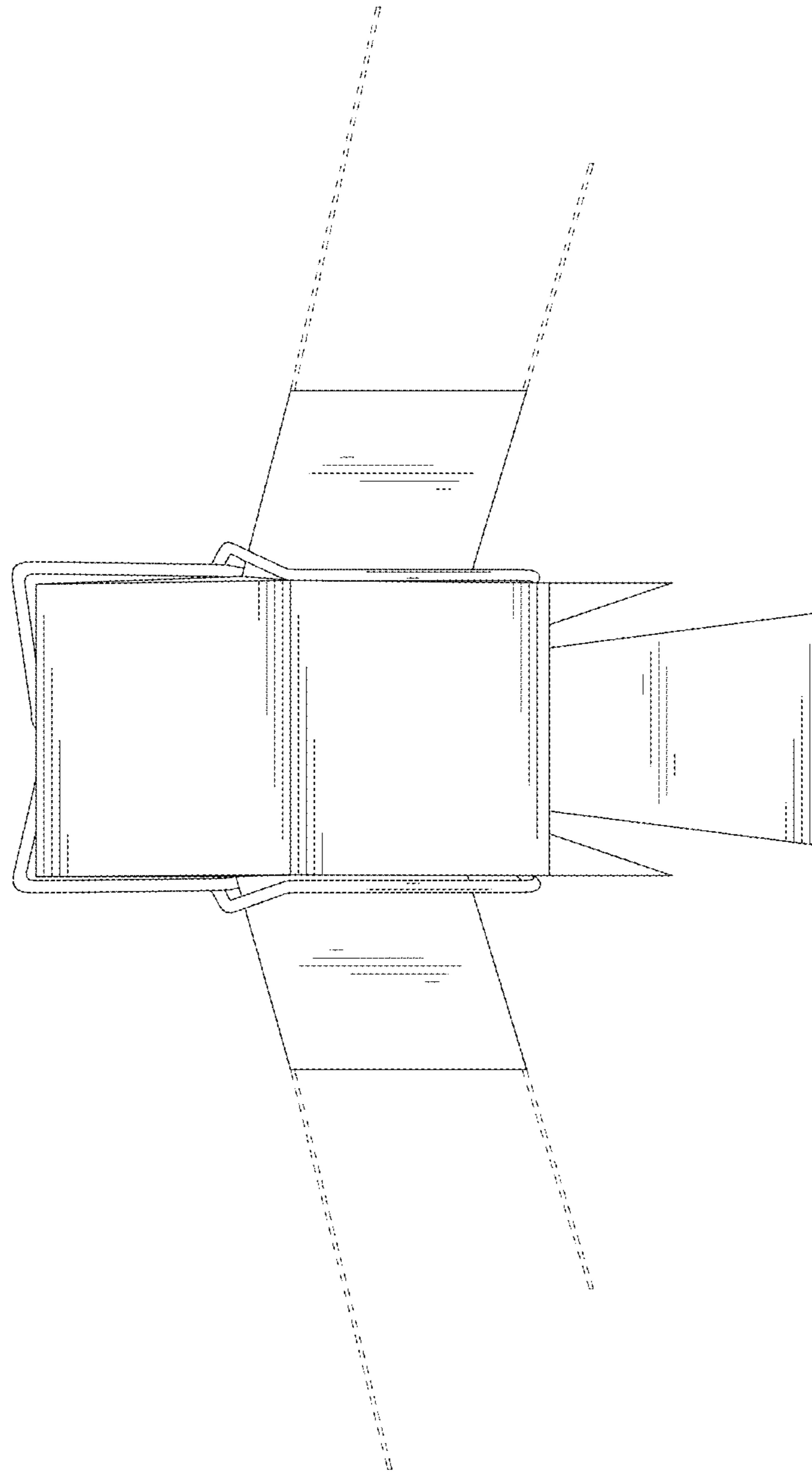


FIG. 8