



US00D987007S

(12) **United States Design Patent** (10) **Patent No.:** **US D987,007 S**  
**de Grasse** (45) **Date of Patent:** **\*\* May 23, 2023**

(54) **BUOYANT CHAIR**  
(71) Applicant: **Aqua-Leisure Recreation, LLC**, Avon, MA (US)  
(72) Inventor: **Scott R. de Grasse**, Marshfield, MA (US)  
(73) Assignee: **Aqua-Leisure Recreation, LLC**, Stoughton, MA (US)

D341,866 S 11/1993 Ross  
D351,740 S 10/1994 Tesmer  
5,520,561 A 5/1996 Langenohl  
D370,956 S 6/1996 Pery  
D372,951 S 8/1996 Barth  
5,571,036 A 11/1996 Hannigan  
5,601,461 A 2/1997 Mills  
D378,772 S 4/1997 Hall  
5,628,658 A 6/1997 Clifford

(Continued)

(\*\*) Term: **15 Years**

(21) Appl. No.: **29/786,488**

(22) Filed: **Jun. 1, 2021**

(51) **LOC (14) Cl.** ..... **21-03**

(52) **U.S. Cl.**  
USPC ..... **D21/803**

(58) **Field of Classification Search**  
USPC ..... D21/770, 803, 809, 835, 836; 114/54,  
114/123, 267; 472/129; 446/220;  
441/129

CPC ..... A63B 69/187; A63B 2225/605; A63B  
2225/62; A63B 2225/60; A63H 23/10;  
A63H 23/00; B63B 34/52; B63B 34/54;  
B63B 34/63; B63B 35/58; B63B 7/08;  
B63B 34/00

See application file for complete search history.

(56) **References Cited**

**U.S. PATENT DOCUMENTS**

1,465,790 A 8/1923 Ranlett  
2,207,025 A 7/1940 Rison  
2,803,839 A 8/1957 Mosley  
D206,796 S 1/1967 Bauer  
3,602,930 A 9/1971 Channon  
4,270,799 A 6/1981 Flaum  
D279,336 S 6/1985 Duncan  
4,807,314 A 2/1989 Fry et al.

**OTHER PUBLICATIONS**

Aqua Deluxe Inflatable Pool Noodle Chair—Soft Mesh Sling-Floating Chair Noodle Float—Blue Pineapple Hibiscus, shown in www.amazon.com. Web. Mar. 20, 2021. ASIN B08GY2M7RX. (Year: 2021).\*

(Continued)

*Primary Examiner* — Gino Colan  
*Assistant Examiner* — Gregory G McLemore  
(74) *Attorney, Agent, or Firm* — Wolf, Greenfield & Sacks, P.C.

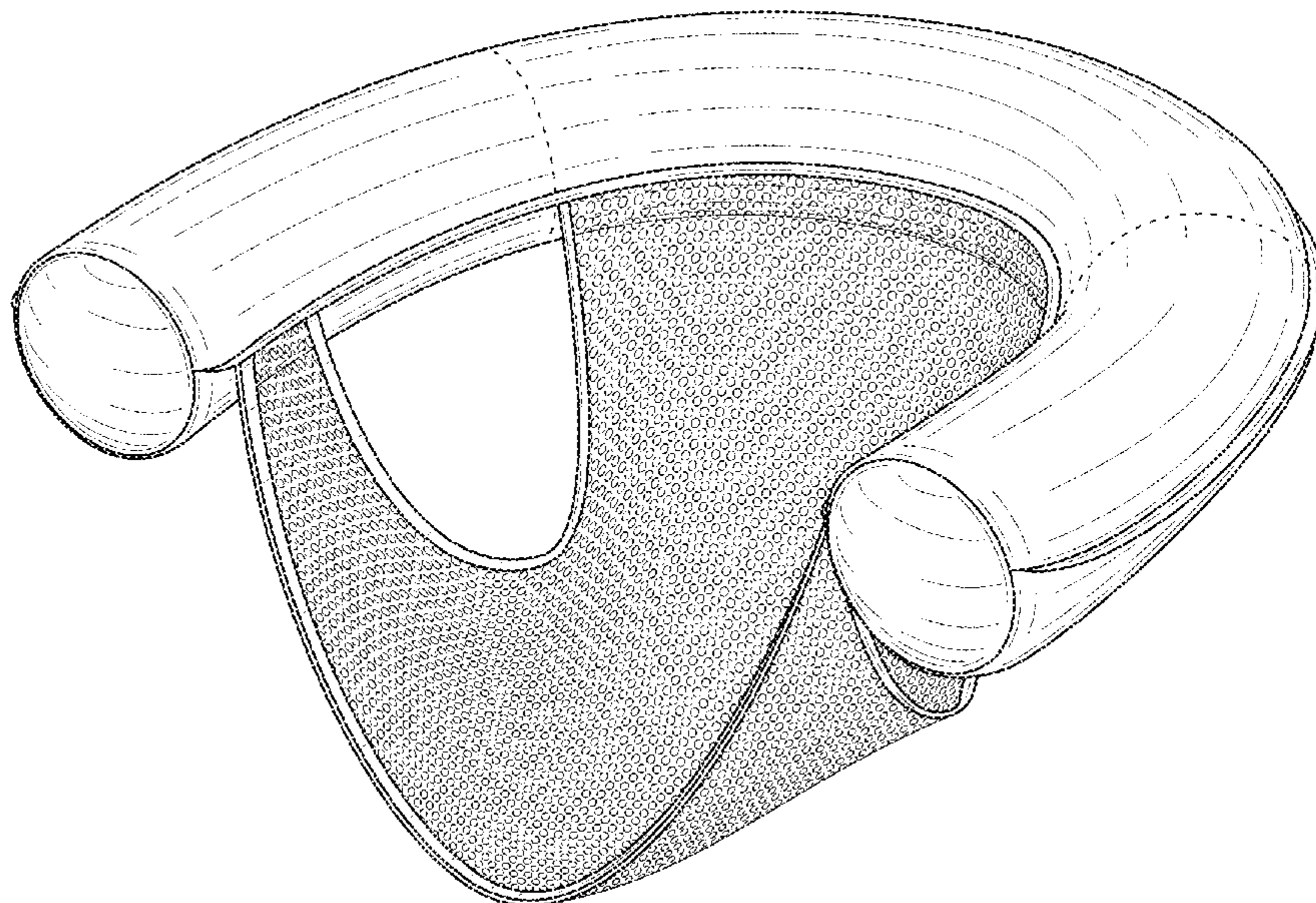
(57) **CLAIM**

The ornamental design for buoyant chair, as shown.

**DESCRIPTION**

FIG. 1 is a perspective view of the buoyant chair in accordance with my new design.  
FIG. 2. is a left-side elevational view of the buoyant chair.  
FIG. 3 is a right-side elevational view of the buoyant chair.  
FIG. 4 is a front elevational view of the buoyant chair.  
FIG. 5 is a rear elevational view of the buoyant chair.  
FIG. 6 is a top plan view of the buoyant chair; and,  
FIG. 7. is a bottom plan view of the buoyant chair.  
The broken lines shown in the figures are for the purpose of illustrating portions of the buoyant chair and form no part of the claimed design.

**1 Claim, 5 Drawing Sheets**



(56)

References Cited

U.S. PATENT DOCUMENTS

D406,299 S 3/1999 Huston  
 D408,643 S 4/1999 Edwards  
 D421,085 S 2/2000 Fife et al.  
 6,086,152 A 7/2000 Zeller  
 6,142,839 A 11/2000 Wilcox  
 6,276,979 B1 8/2001 Saltel et al.  
 6,929,521 B2 8/2005 Howerton  
 D588,390 S 3/2009 Brill-Cass et al.  
 7,926,135 B1 4/2011 Leach  
 D651,273 S \* 12/2011 Graham ..... D21/803  
 D655,364 S \* 3/2012 Johnston ..... D21/805  
 D663,130 S 7/2012 Pederson  
 D714,562 S 10/2014 Chlapaty  
 9,017,127 B1 4/2015 Callahan et al.  
 D913,395 S \* 3/2021 Joseph ..... D21/803  
 D913,398 S \* 3/2021 Joseph ..... D21/803  
 D914,824 S \* 3/2021 Cirjak ..... D21/803  
 D931,399 S \* 9/2021 Li ..... D21/803  
 D932,578 S \* 10/2021 Zhu ..... D21/803

D956,911 S \* 7/2022 Yang ..... D21/803  
 2005/0026520 A1 \* 2/2005 Howerton ..... A47C 15/006  
 441/132  
 2005/0106963 A1 5/2005 Ross  
 2011/0117802 A1 5/2011 Bonacci  
 2014/0295721 A1 10/2014 Jensen et al.  
 2021/0386618 A1 \* 12/2021 Gutmann ..... A61H 37/005

OTHER PUBLICATIONS

[No Author Listed], Bema Kids' Inflatable Noodle Swim Seat. Amazon. Posted Jun. 19, 2010, Last Accessed Dec. 15, 2016, <https://www.amazon.co.uk/Bema-Kids-Inflatable-Noodle-Swim/dp/B000P1K8EM>. 4 pages.

[No Author Listed], Swimways Floating Pool Sling Mesh Chairs. Amazon. Posted Jul. 3, 2015, Last Accessed Dec. 15, 2016, [https://www.amazon.com/Swimways-Floating-Noodle-Sling-chairs/dp/B00WUQGNQW/ref=sr\\_1\\_8?ie=UTF8&qid=14806885&sr=8-8&keywords=noodle+float](https://www.amazon.com/Swimways-Floating-Noodle-Sling-chairs/dp/B00WUQGNQW/ref=sr_1_8?ie=UTF8&qid=14806885&sr=8-8&keywords=noodle+float). 6 pages.

\* cited by examiner

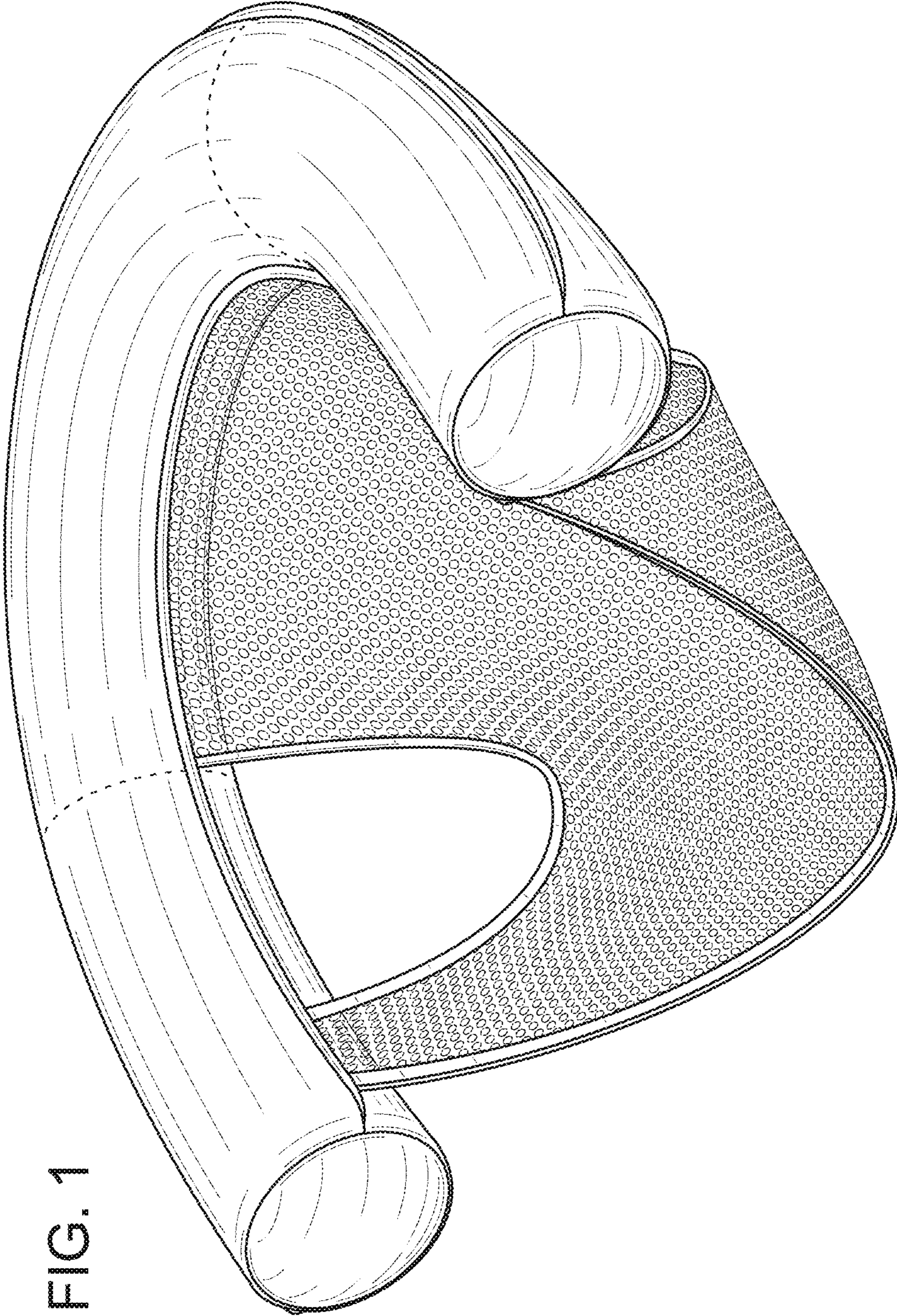


FIG. 1

FIG. 2

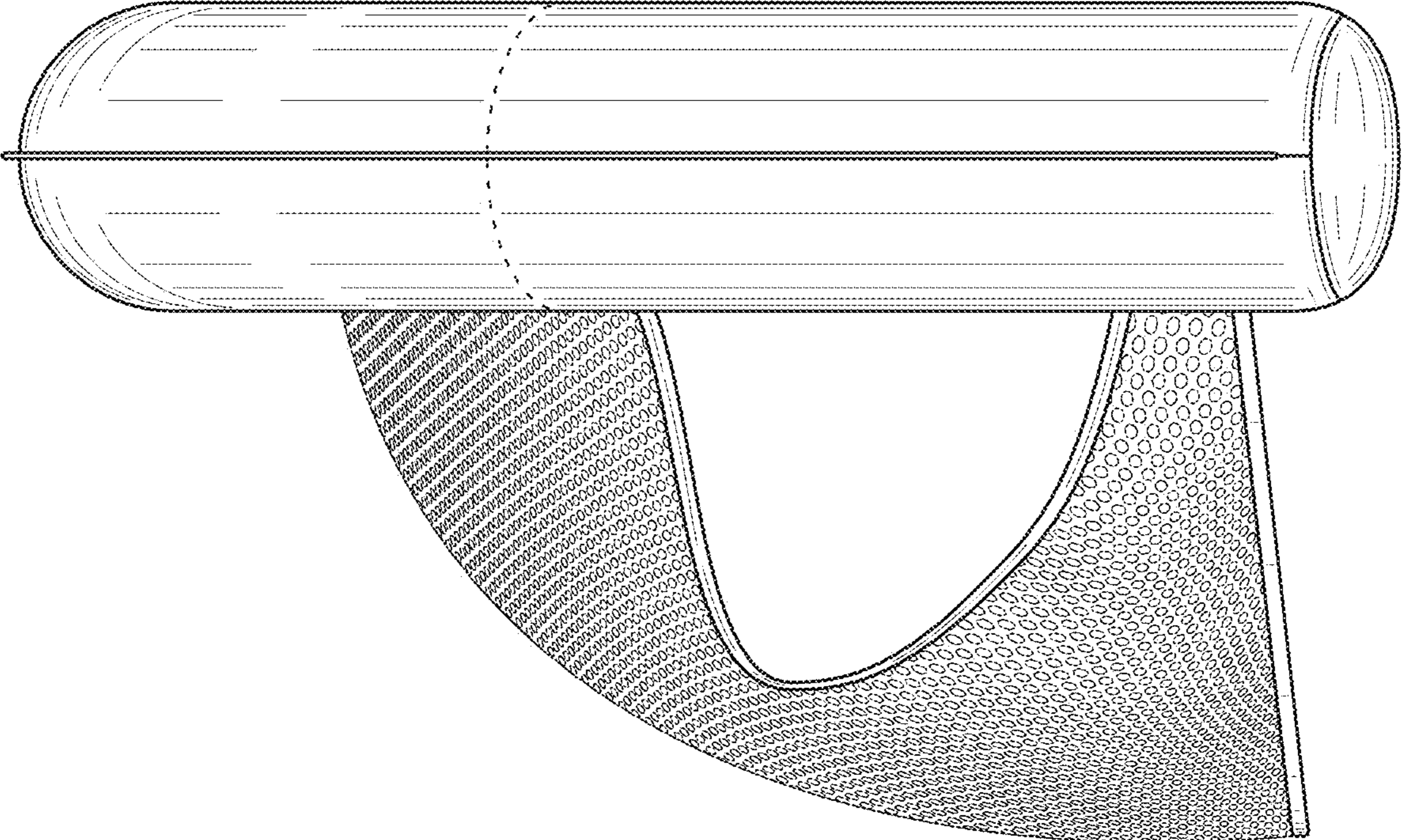


FIG. 3

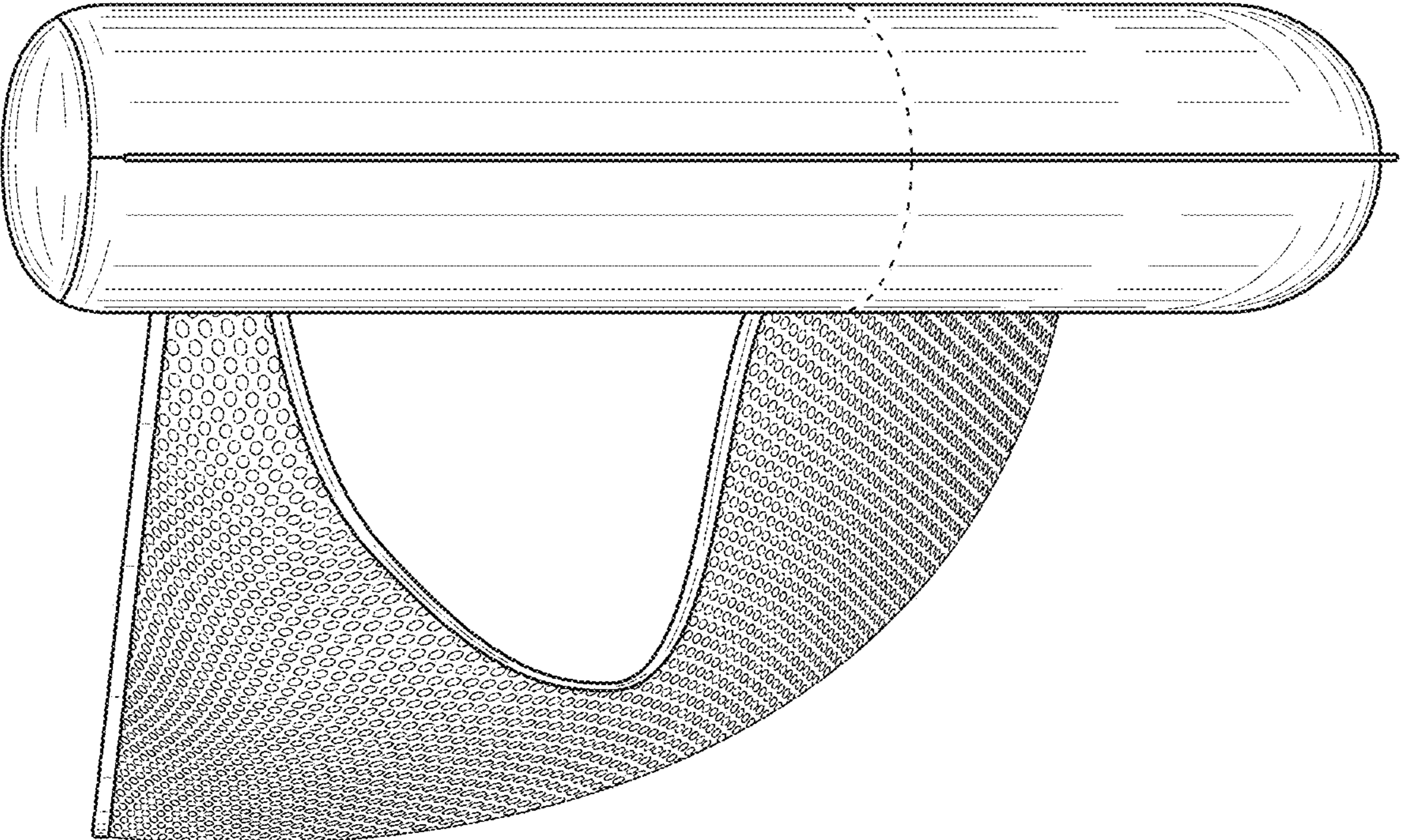


FIG. 4

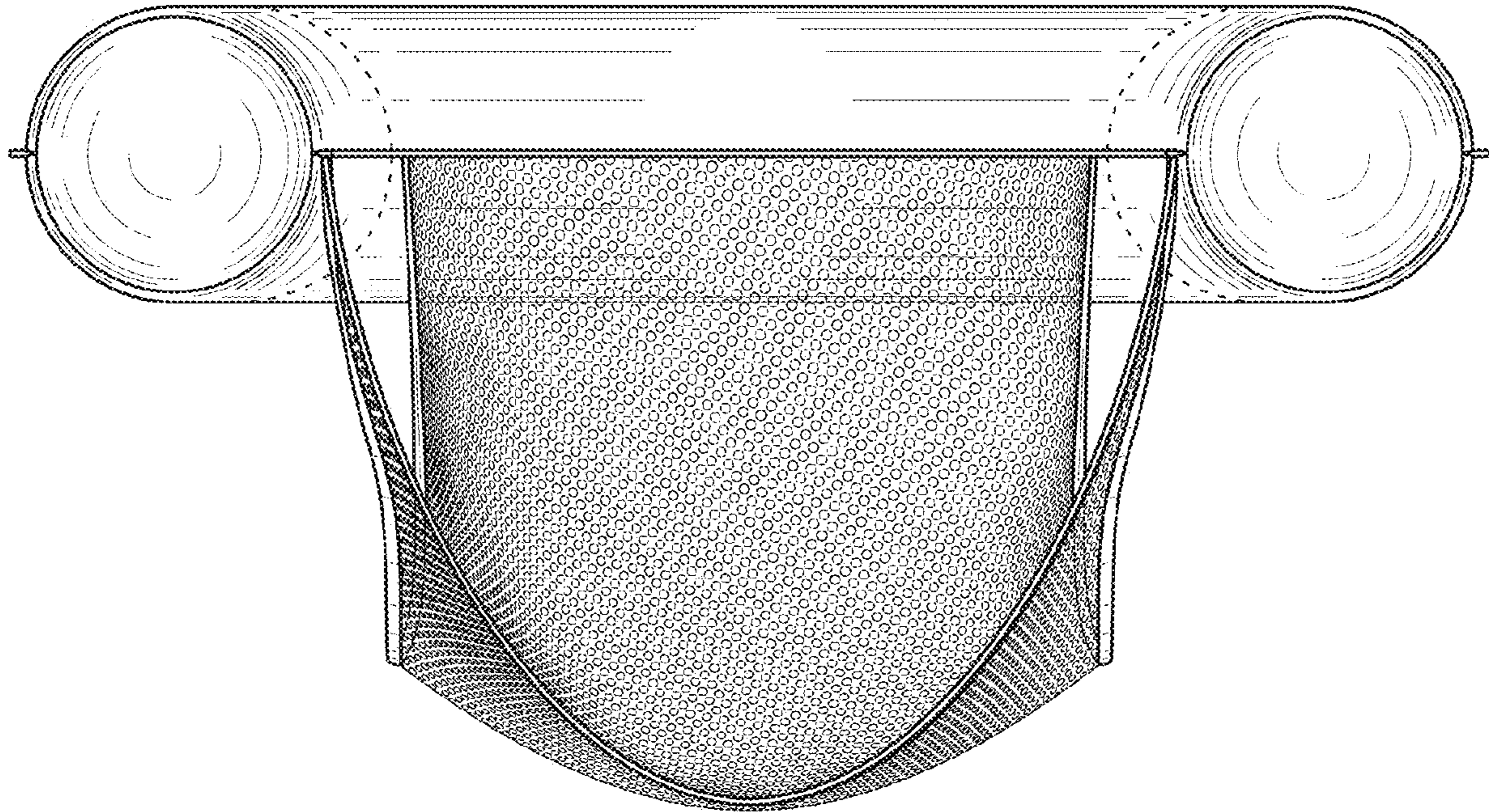


FIG. 5

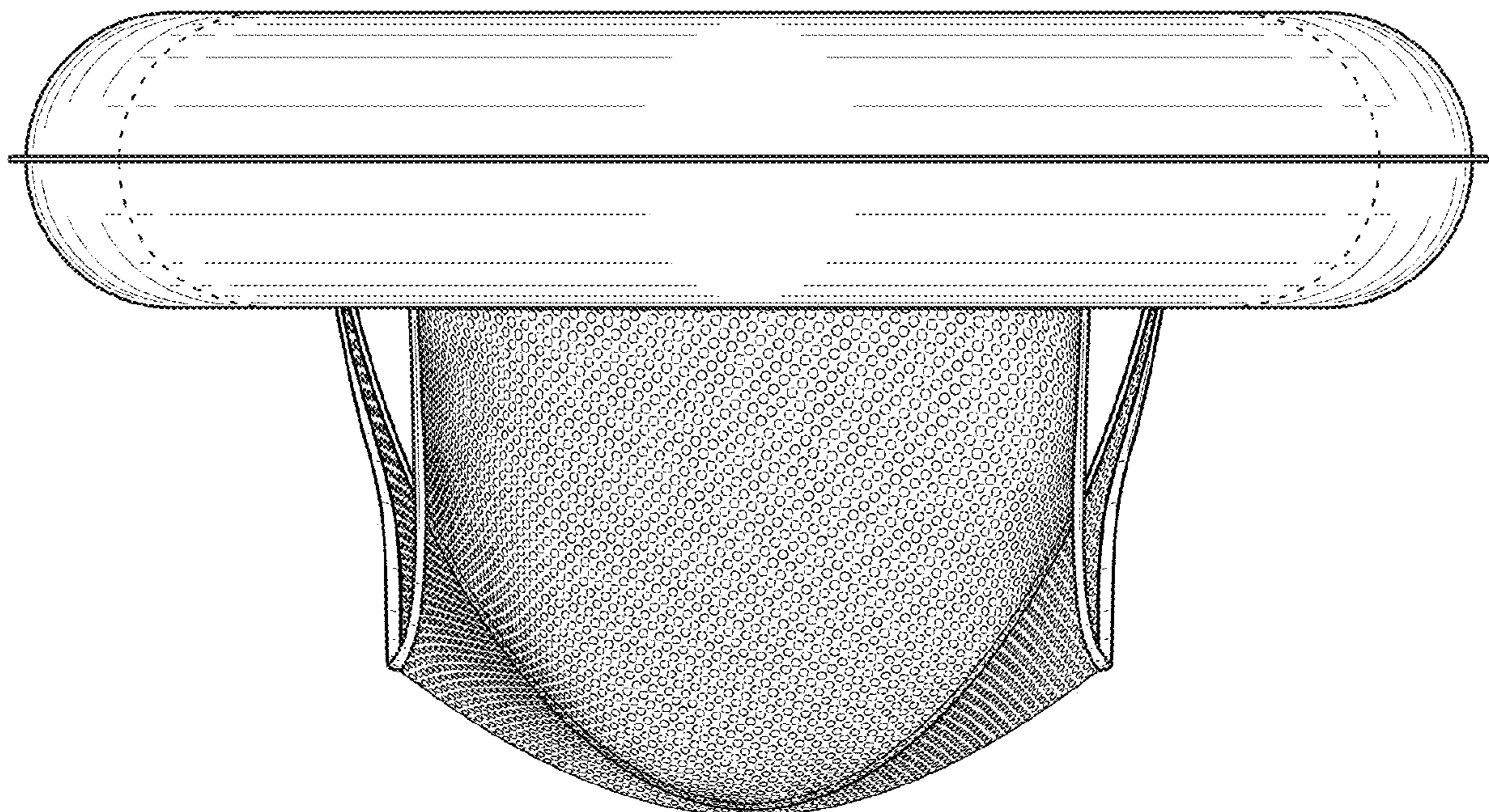


FIG. 6

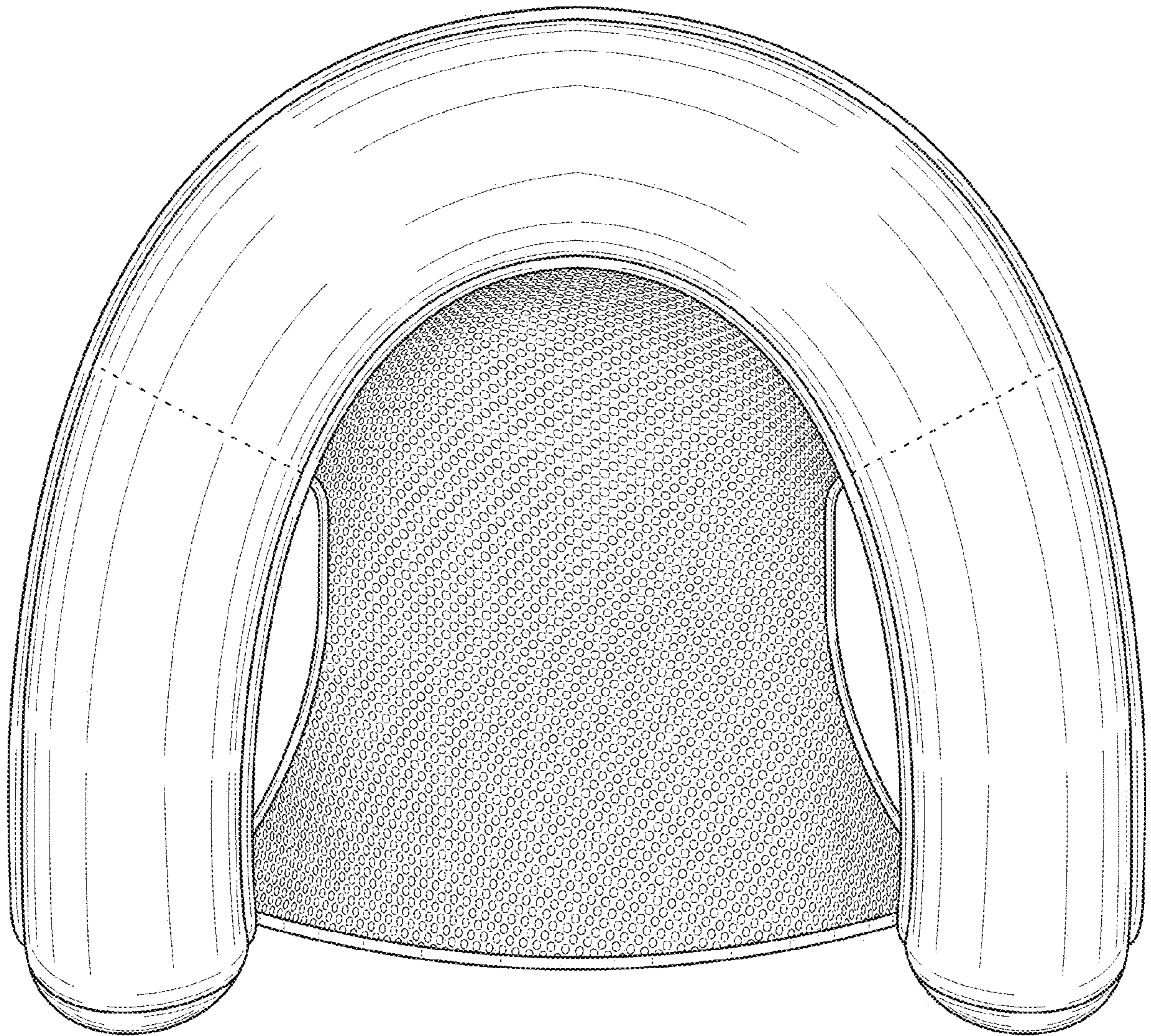


FIG. 7

