



US00D987006S

(12) **United States Design Patent**  
**Engler et al.**

(10) **Patent No.:** **US D987,006 S**

(45) **Date of Patent:** **\*\* May 23, 2023**

(54) **GOLF RAMP ACCESSORY**

(71) Applicant: **P&P IMPORTS LLC**, Irvine, CA (US)

(72) Inventors: **Peter Engler**, Newport Beach, CA (US); **Peter Tanoury**, Newport Beach, CA (US); **Willis Santamaria**, Diamond Bar, CA (US)

(\*\*) Term: **15 Years**

(21) Appl. No.: **29/798,118**

(22) Filed: **Jul. 6, 2021**

(51) **LOC (14) Cl.** ..... **21-02**

(52) **U.S. Cl.**  
USPC ..... **D21/793**

(58) **Field of Classification Search**

USPC ..... D21/791, 789, 790, 793, 794, 733, 319,  
D21/358, 708, 706, 707, 714, 715, 718,  
D21/719, 720, 722, 796

See application file for complete search history.

(56) **References Cited**

**U.S. PATENT DOCUMENTS**

|              |      |         |           |       |                         |
|--------------|------|---------|-----------|-------|-------------------------|
| 1,063,119    | A *  | 5/1913  | Clifford  | ..... | A63B 57/40<br>473/196   |
| D183,223     | S *  | 7/1958  | Neiler    | ..... | D21/790                 |
| D186,276     | S *  | 10/1959 | Neiler    | ..... | D21/790                 |
| D201,689     | S *  | 7/1965  | Lindner   | ..... | D21/790                 |
| D627,413     | S *  | 11/2010 | Kossowsky | ..... | D21/789                 |
| D696,371     | S *  | 12/2013 | Wilkie    | ..... | D21/791                 |
| D808,485     | S *  | 1/2018  | Czane     | ..... | D21/698                 |
| 2013/0116059 | A1 * | 5/2013  | Yeh       | ..... | A63B 69/3661<br>473/160 |

**OTHER PUBLICATIONS**

Shikha, announced 2021 [online], [site visited Mar. 15, 2023]. Available on internet, URL:https://www.amazon.com/Shikha-Dispenser-Powerless-Electricity-Less-Automatic/dp/B08VJ1ZH6R/ref (Year: 2021).\*

\* cited by examiner

*Primary Examiner* — Khawaja Anwar  
*Assistant Examiner* — Julice Seung Eun Oum

(57) **CLAIM**

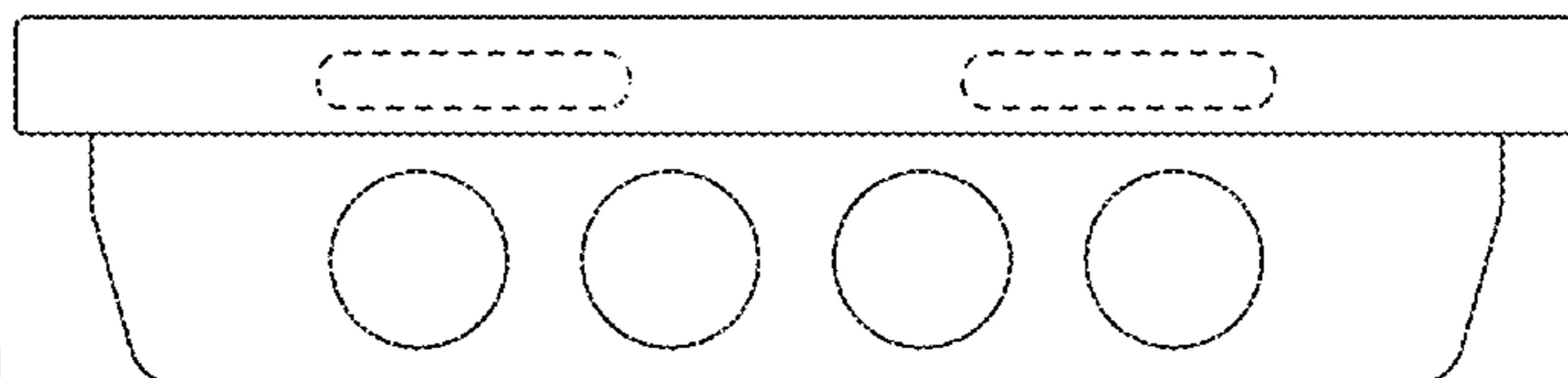
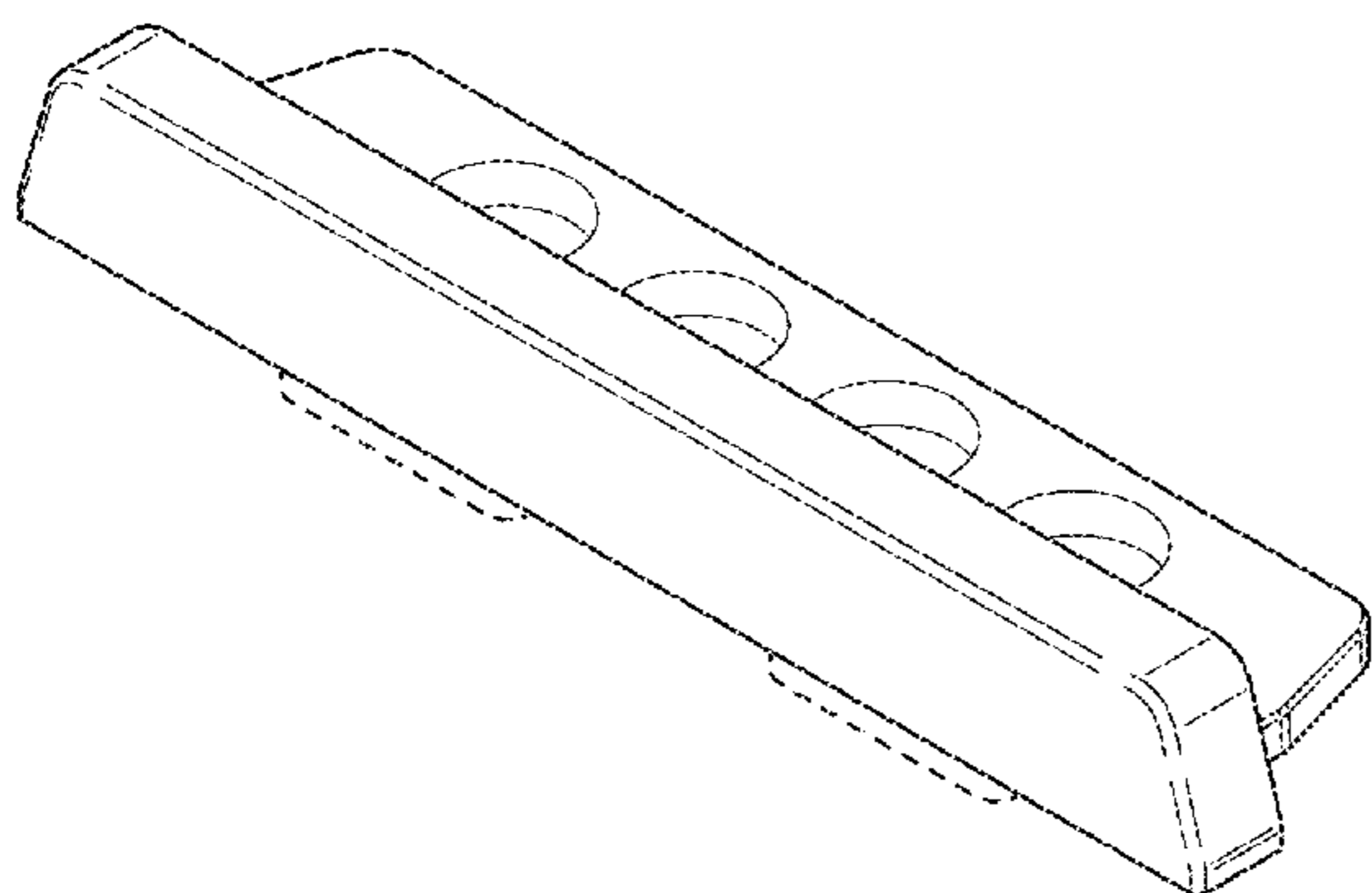
The ornamental design for a golf ramp accessory, as shown and described.

**DESCRIPTION**

FIG. 1 is a perspective view of the golf ramp accessory showing the claimed design;  
FIG. 2 is a front elevational view of the golf ramp accessory shown in FIG. 1;  
FIG. 3 is a back elevational view of the golf ramp accessory shown in FIG. 1;  
FIG. 4 left-side elevational view of the golf ramp accessory shown in FIG. 1, the right-side elevational view being a mirror image of the left-side elevational view;  
FIG. 5 view is a bottom plan view of the golf ramp accessory, as shown in FIG. 1; and,  
FIG. 6 is a top plan view of the golf ramp accessory shown in FIG. 1.

The broken lines in the figures show portions of the design that form no part of the claimed design.

**1 Claim, 6 Drawing Sheets**



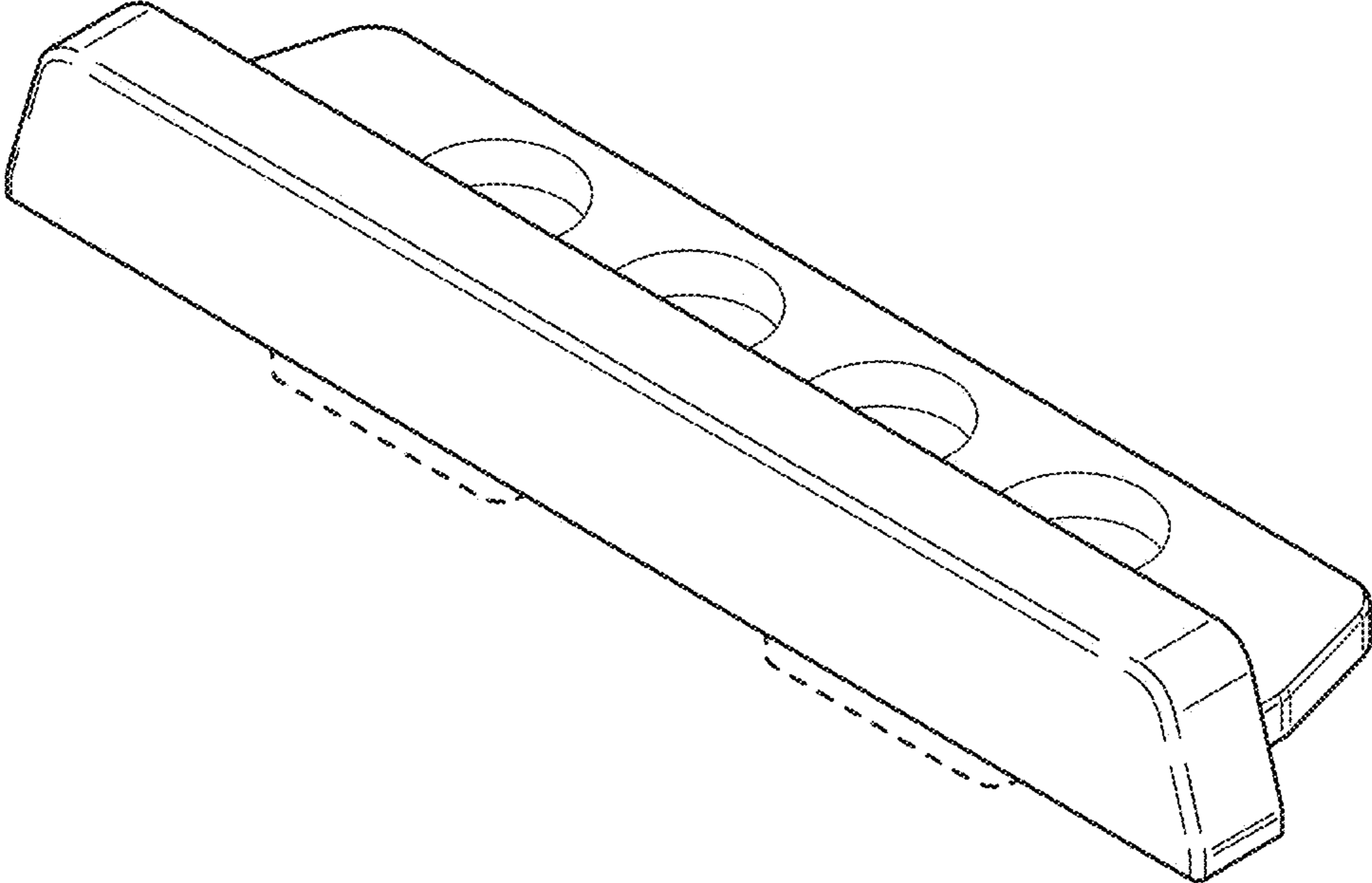


FIG. 1

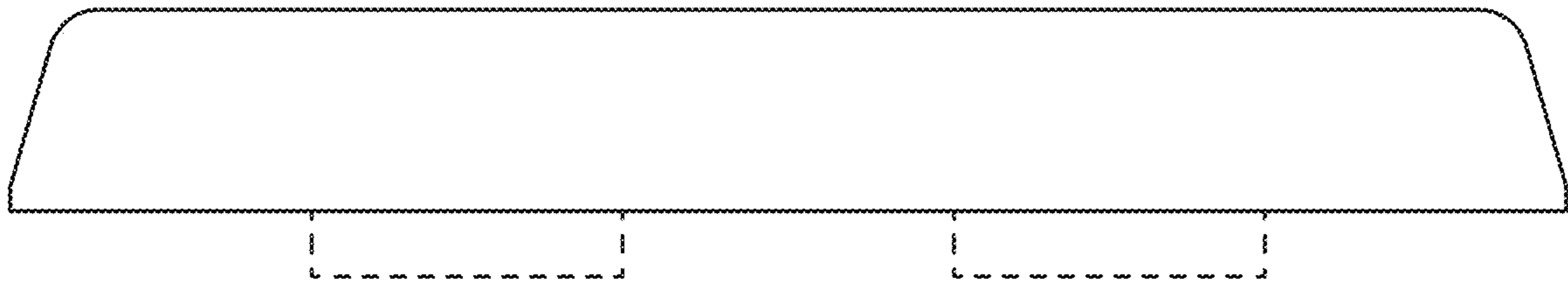


FIG. 2

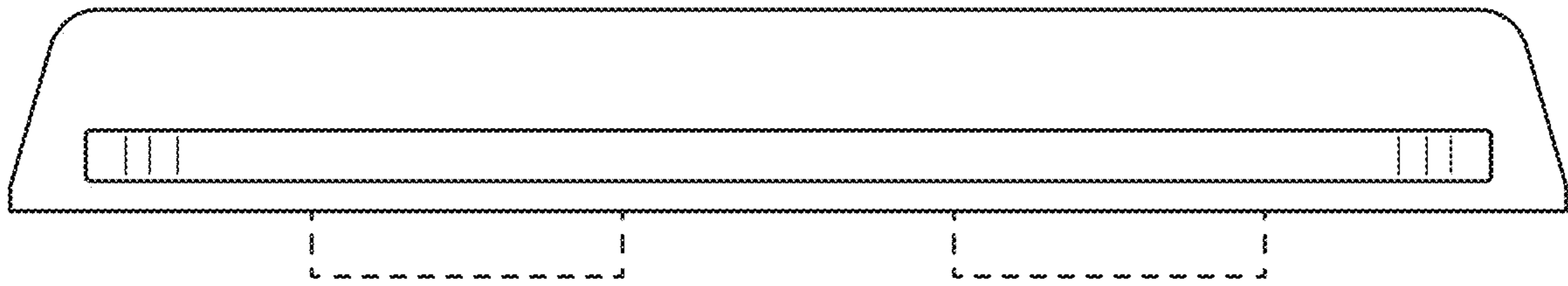


FIG. 3

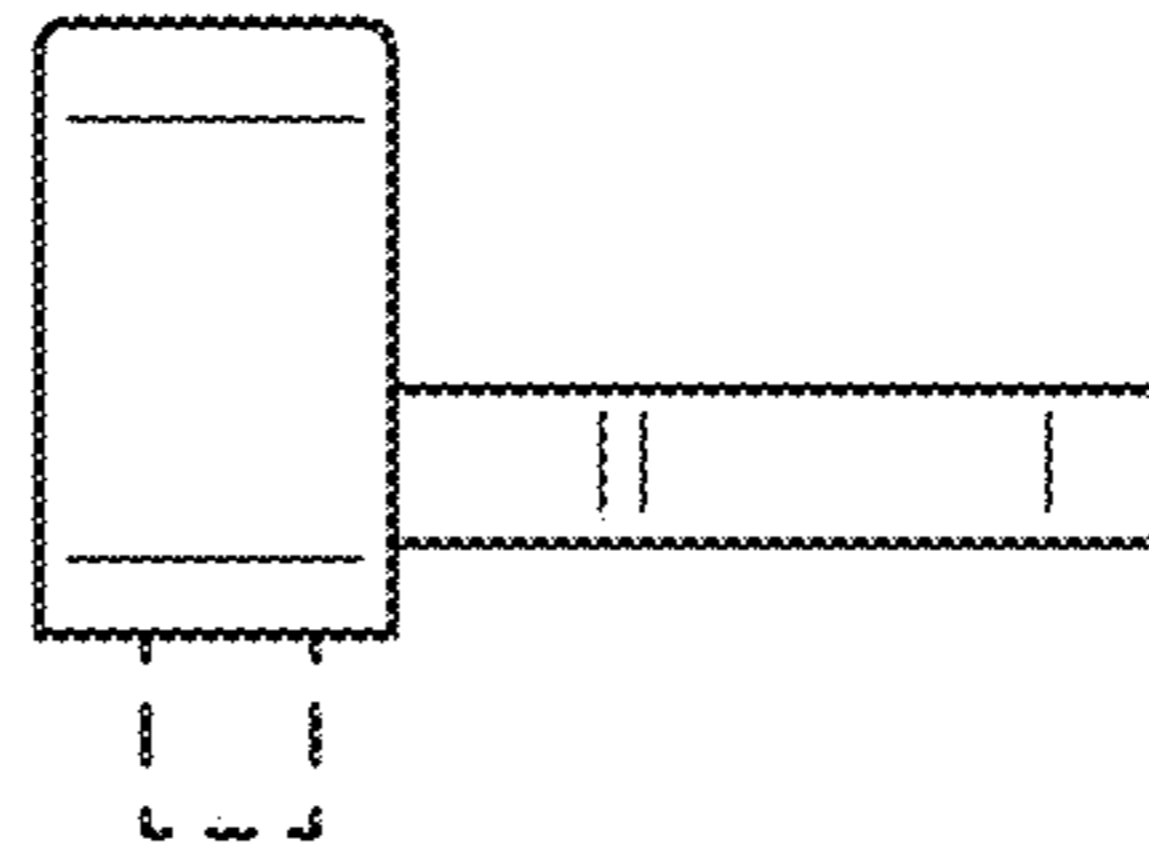


FIG. 4

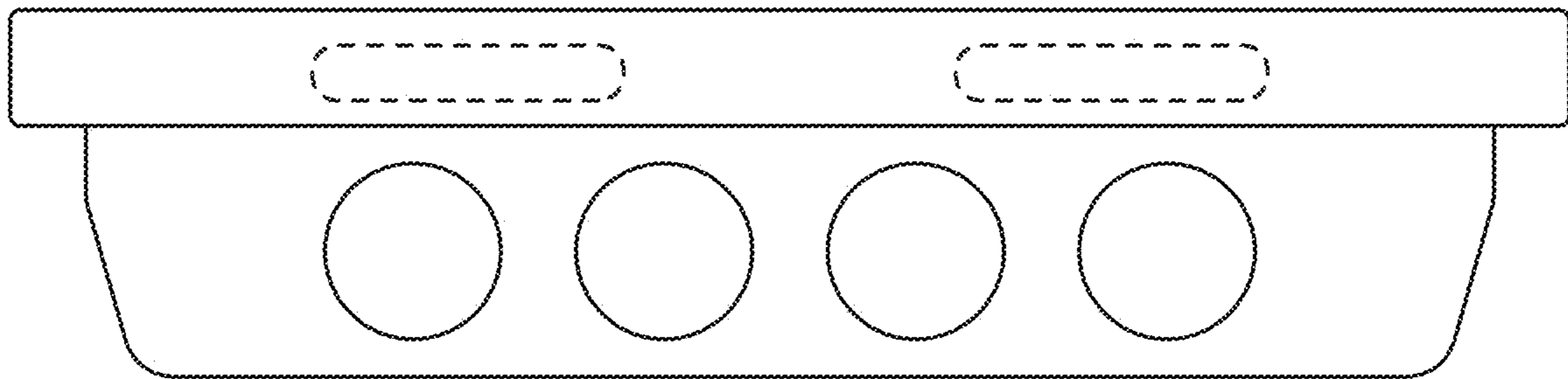


FIG. 5

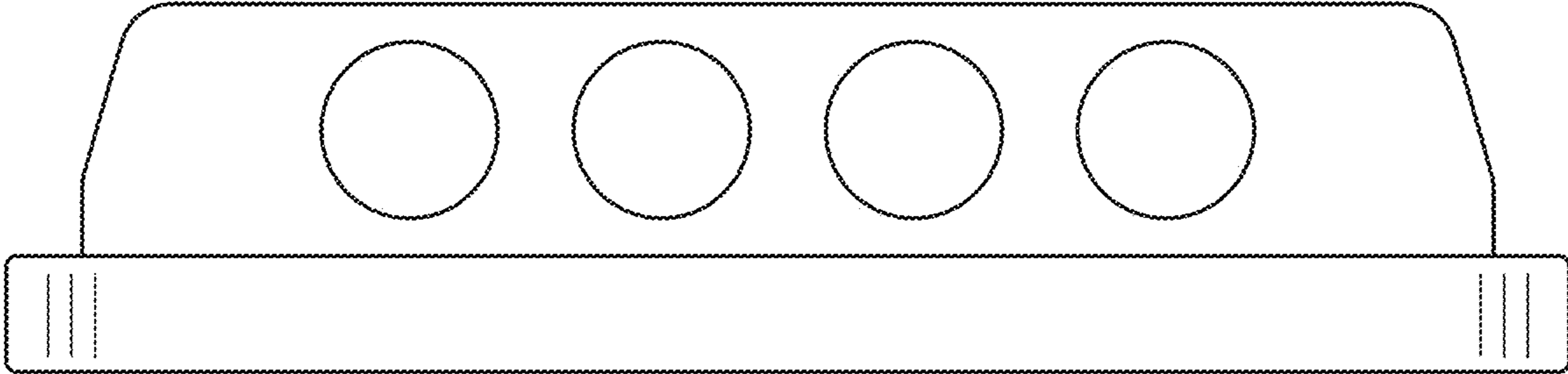


FIG. 6