



US00D987004S

(12) **United States Design Patent** (10) **Patent No.:** **US D987,004 S**
Jacobson et al. (45) **Date of Patent:** **** May 23, 2023**

(54) **PUTTING STROKE TRAINER**
(71) Applicant: **Par Perfect Golf LLC**, Mckinney, TX (US)
(72) Inventors: **Robert Jacobson**, Irvine, CA (US); **Joe Stroffolino**, Mckinney, TX (US)
(**) Term: **15 Years**
(21) Appl. No.: **29/807,140**
(22) Filed: **Sep. 9, 2021**
(51) **LOC (14) Cl.** **21-02**
(52) **U.S. Cl.**
USPC **D21/791**
(58) **Field of Classification Search**
USPC D21/789, 791
CPC A63B 69/00; A63B 69/36; A63B 57/40; A63B 69/3623; A63B 69/3608; A63B 69/3658; A63B 69/3661; A63B 69/3667; A63B 69/3641; A63B 69/3691; A63B 69/3694; A63B 69/3621; A63B 69/3676
See application file for complete search history.

6,840,870 B1 * 1/2005 Froggatte A63B 24/0003 473/265
D508,547 S * 8/2005 Llewellyn D21/791
D524,893 S * 7/2006 Rinaldi D21/791
D529,568 S * 10/2006 Gauer D21/791
D632,749 S 2/2011 Montgomery
D632,750 S * 2/2011 Callowhill D21/792
D641,448 S * 7/2011 Sessions D21/791
D670,348 S * 11/2012 Jacobson D21/791
D672,001 S * 12/2012 Whitfield D21/791
D692,512 S * 10/2013 Fanfelle D21/791
D717,898 S * 11/2014 Pfaff D21/791
D732,130 S * 6/2015 Covino D21/791
9,089,757 B2 * 7/2015 O'Donovan A63B 69/36
D859,555 S * 9/2019 Freund A63B 69/3676 D21/791

(Continued)

OTHER PUBLICATIONS

Putting aid google search; google.com; Mar. 15, 2023.*
Putting stroke trainer google search; google.com; Mar. 15, 2023.*
Putting trainer google search; google.com; Mar. 15, 2023.*

Primary Examiner — Mitchell I. Siegel
(74) *Attorney, Agent, or Firm* — Clement Cheng

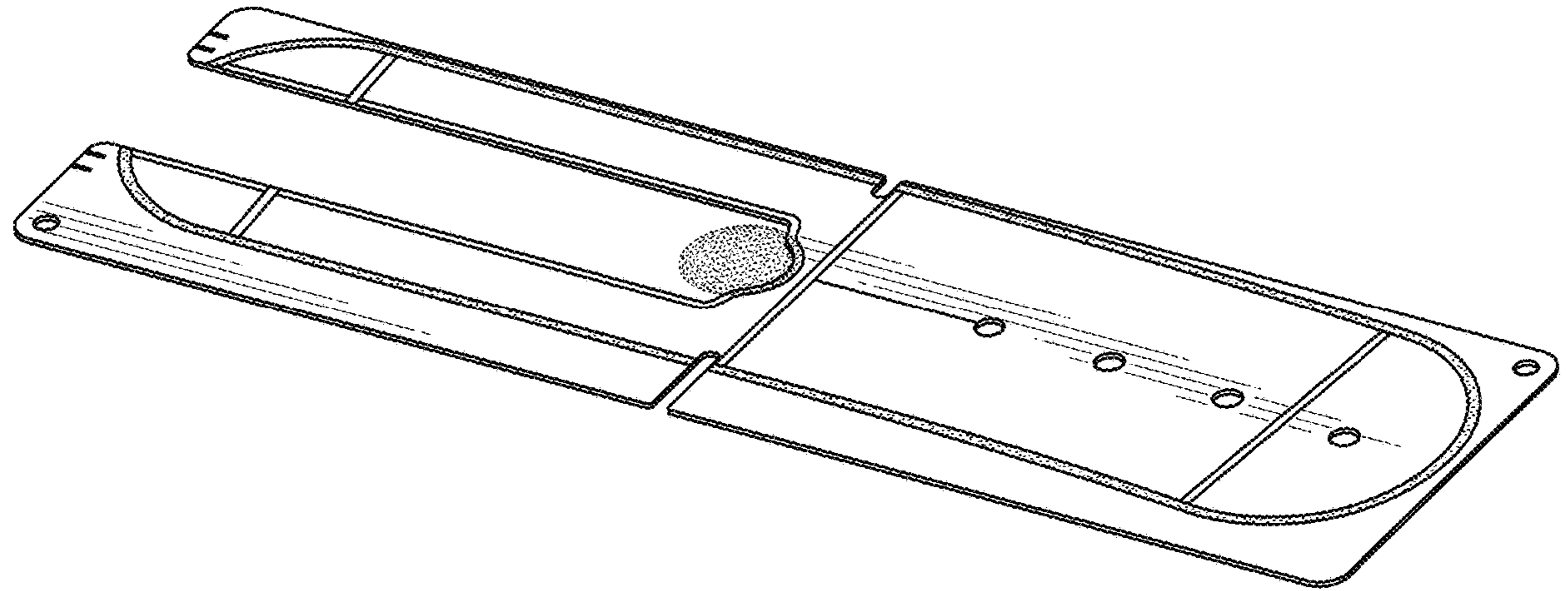
(57) **CLAIM**

The ornamental design for a putting stroke trainer, as shown and described.

DESCRIPTION

FIG. 1 is a perspective view of the present invention.
FIG. 2 is a top view.
FIG. 3 is the bottom view.
FIG. 4 is the front view.
FIG. 5 is the rear view; and,
FIG. 6 is the right side view, and the left side view is a mirror image of the right side view.
The dotted line disclosure of the golf ball image forms no part of the claimed invention.

1 Claim, 3 Drawing Sheets



(56)

References Cited

U.S. PATENT DOCUMENTS

10,695,641	B2 *	6/2020	Procopis	A63B 69/3621
D891,553	S *	7/2020	Clift	D21/791
D896,907	S *	9/2020	Clift	D21/791
D930,101	S *	9/2021	Woodhouse	D21/791
D943,696	S *	2/2022	Coughlan	D21/791
D946,686	S *	3/2022	Clift	D21/791
D963,776	S *	9/2022	Whitfield	D21/791

* cited by examiner

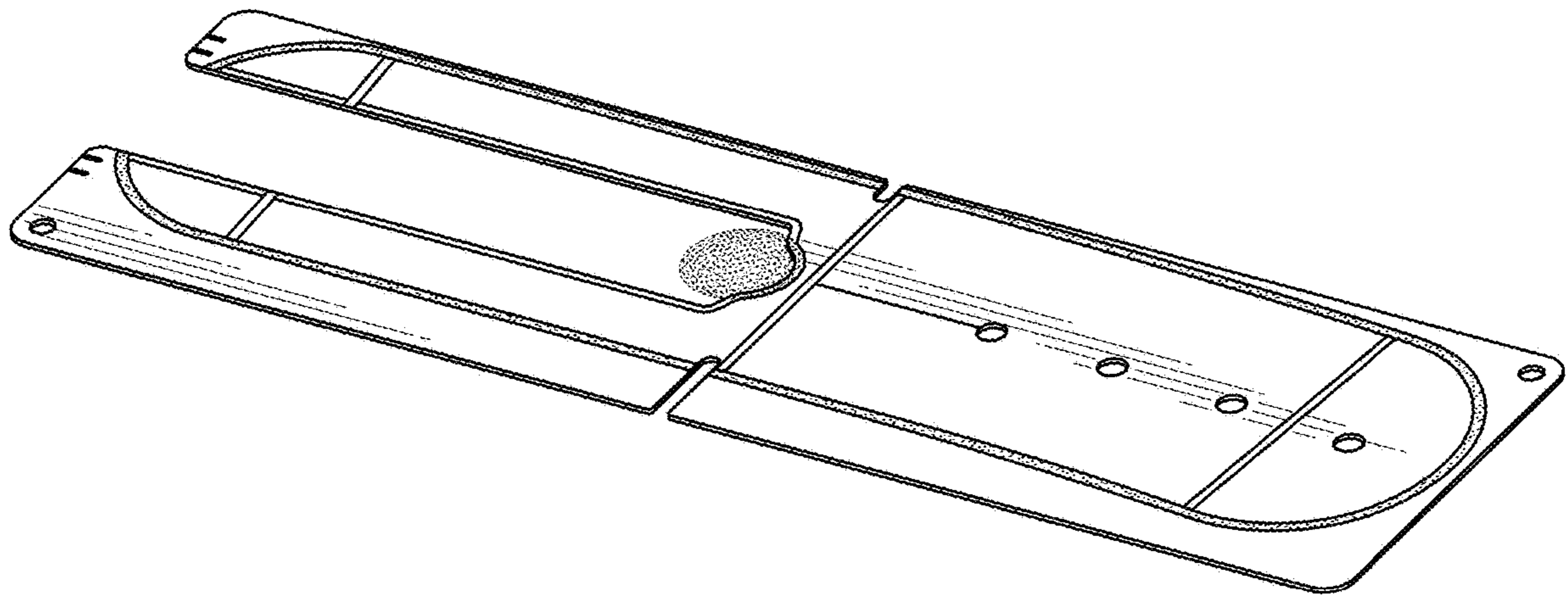


FIG. 1

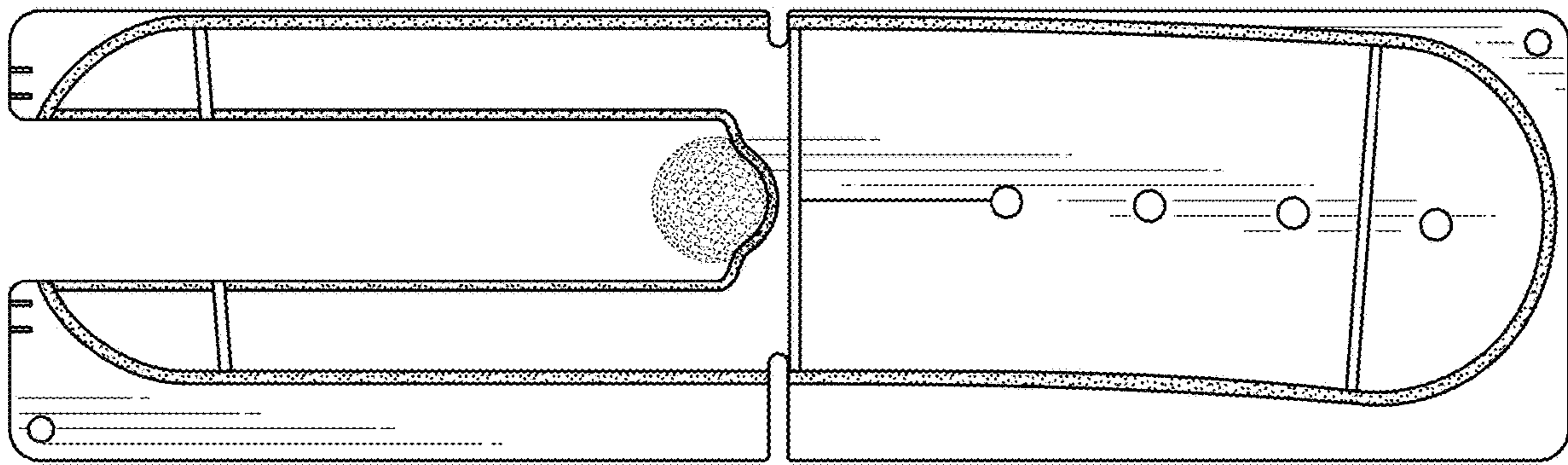


FIG. 2

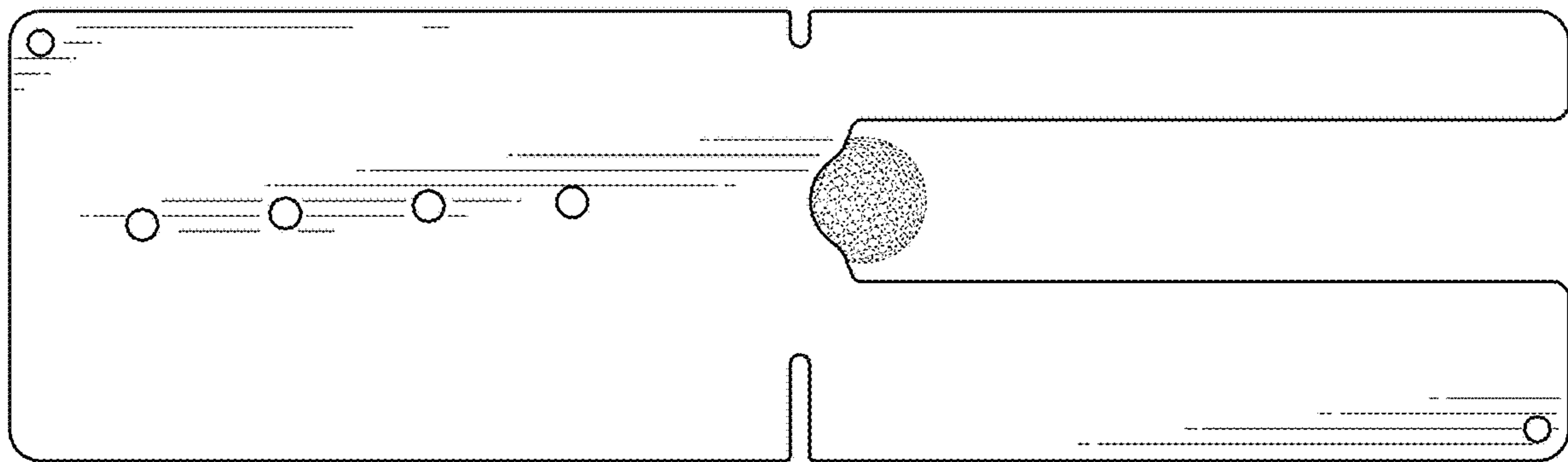


FIG. 3



FIG. 4



FIG. 5



FIG. 6