



US00D987003S

(12) **United States Design Patent**  
**Davies**

(10) **Patent No.:** **US D987,003 S**

(45) **Date of Patent:** **\*\* May 23, 2023**

(54) **KICKBOARD**

(71) Applicant: **Aqua-Leisure Recreation, LLC**, Avon, MA (US)

(72) Inventor: **Conor Newton Davies**, Boston, MA (US)

(73) Assignee: **Aqua-Leisure Recreation, LLC**, Stoughton, MA (US)

(\*\*) Term: **15 Years**

(21) Appl. No.: **29/782,118**

(22) Filed: **May 4, 2021**

(51) **LOC (14) Cl.** ..... **21-02**

(52) **U.S. Cl.**  
USPC ..... **D21/769; D21/803**

(58) **Field of Classification Search**  
USPC ..... 441/55, 65, 129; 434/254; D21/769, D21/803; 482/55  
CPC ..... A63B 69/14; A63B 31/00; B63B 32/50; B63B 32/70  
See application file for complete search history.

(56) **References Cited**

**U.S. PATENT DOCUMENTS**

D453,367 S *	2/2002	Katz	.....	D21/769
6,872,111 B2 *	3/2005	Katz	.....	B63B 32/50 434/254
D590,470 S *	4/2009	Mun	.....	D21/769
2008/0014810 A1 *	1/2008	Mix	.....	A63B 69/14 441/65
2019/0359296 A1 *	11/2019	Kolb	.....	B63B 32/70

**OTHER PUBLICATIONS**

Aqua Fitness, 3-in-1—Combo Pull-Kick-Swim Kickboard, EVA Foam Swim Training Device, Adults, shown in www.amazon.com, Web. Feb. 24, 2021. ASIN B08GYFXT3Z. (Year: 2021).\*

\* cited by examiner

*Primary Examiner* — Gino Colan

*Assistant Examiner* — Gregory G McLemore

(74) *Attorney, Agent, or Firm* — Wolf, Greenfield & Sacks, P.C.

(57) **CLAIM**

The ornamental design for a kickboard, as shown and described.

**DESCRIPTION**

FIG. 1 is a perspective view of the kickboard in accordance with my new design.

FIG. 2 is a top plan view of the kickboard of FIG. 1.

FIG. 3 is a front elevational view of the kickboard.

FIG. 4 is a bottom plan view of the kickboard.

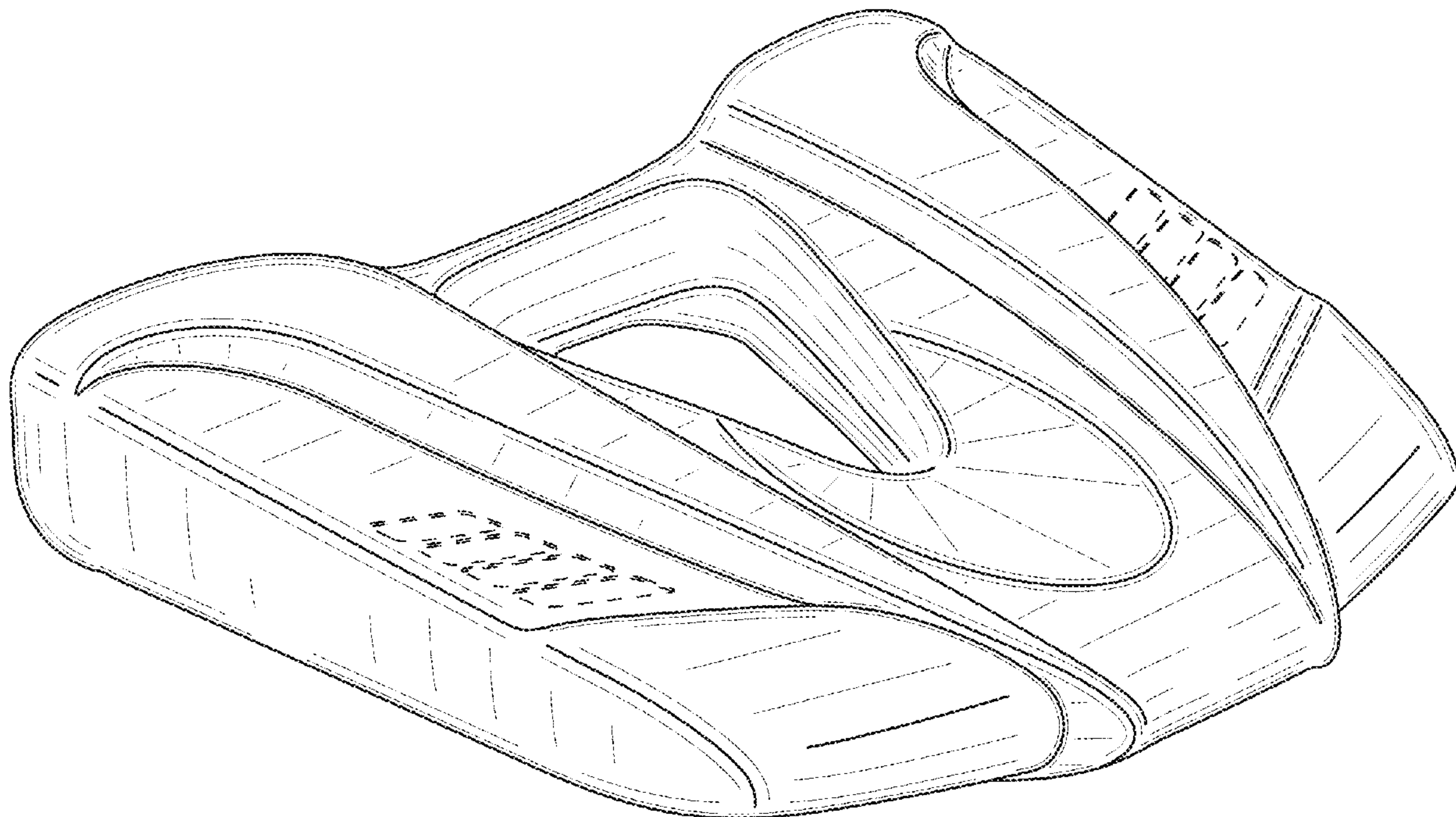
FIG. 5 is a left-side elevational view of the kickboard.

FIG. 6 is a right-side elevational view of the kickboard; and,

FIG. 7 is a rear elevational view of the kickboard.

The broken lines shown in the figures are for the purpose of illustrating portions of the kickboard and form no part of the claimed design.

**1 Claim, 4 Drawing Sheets**



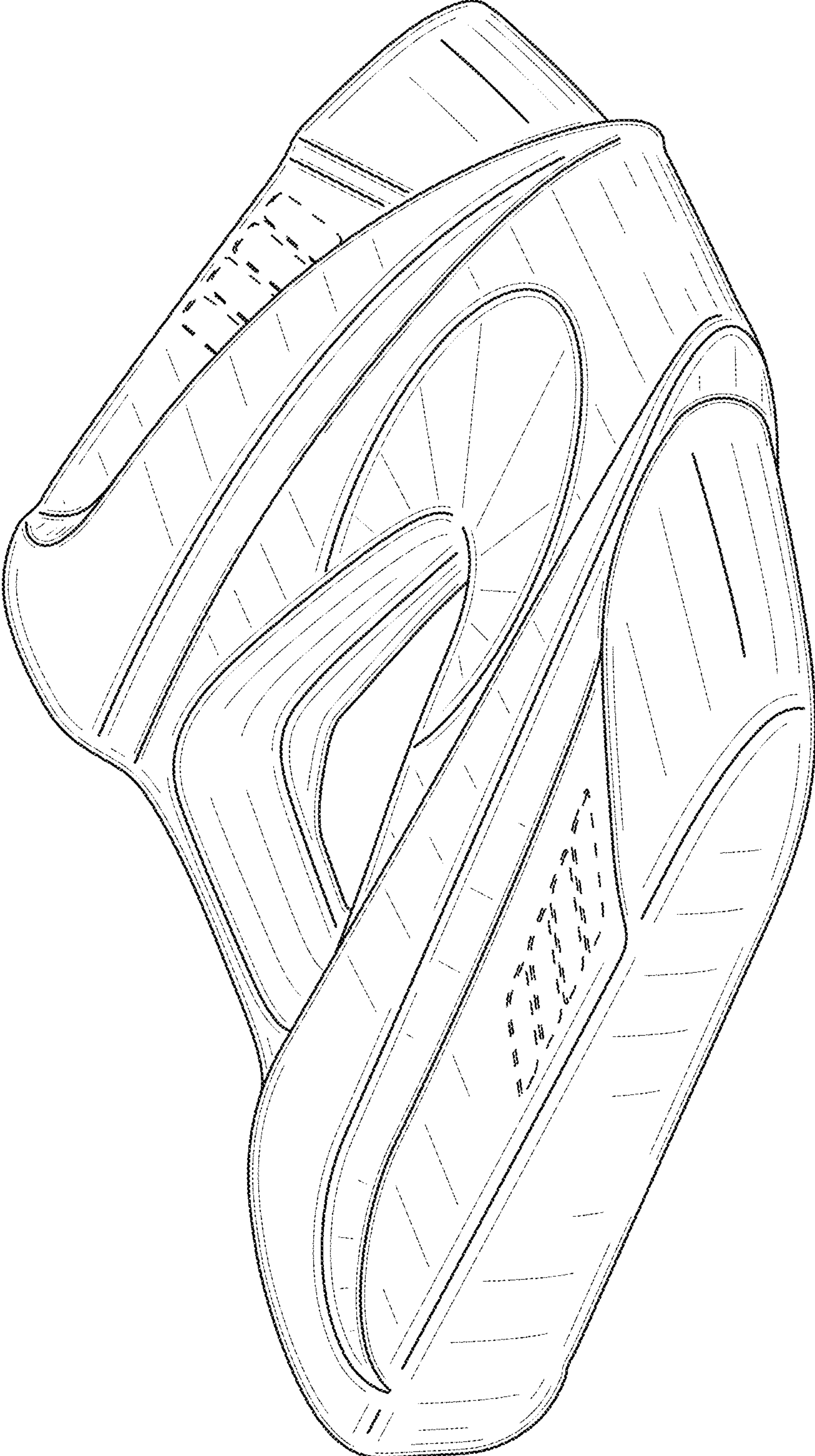


FIG. 1



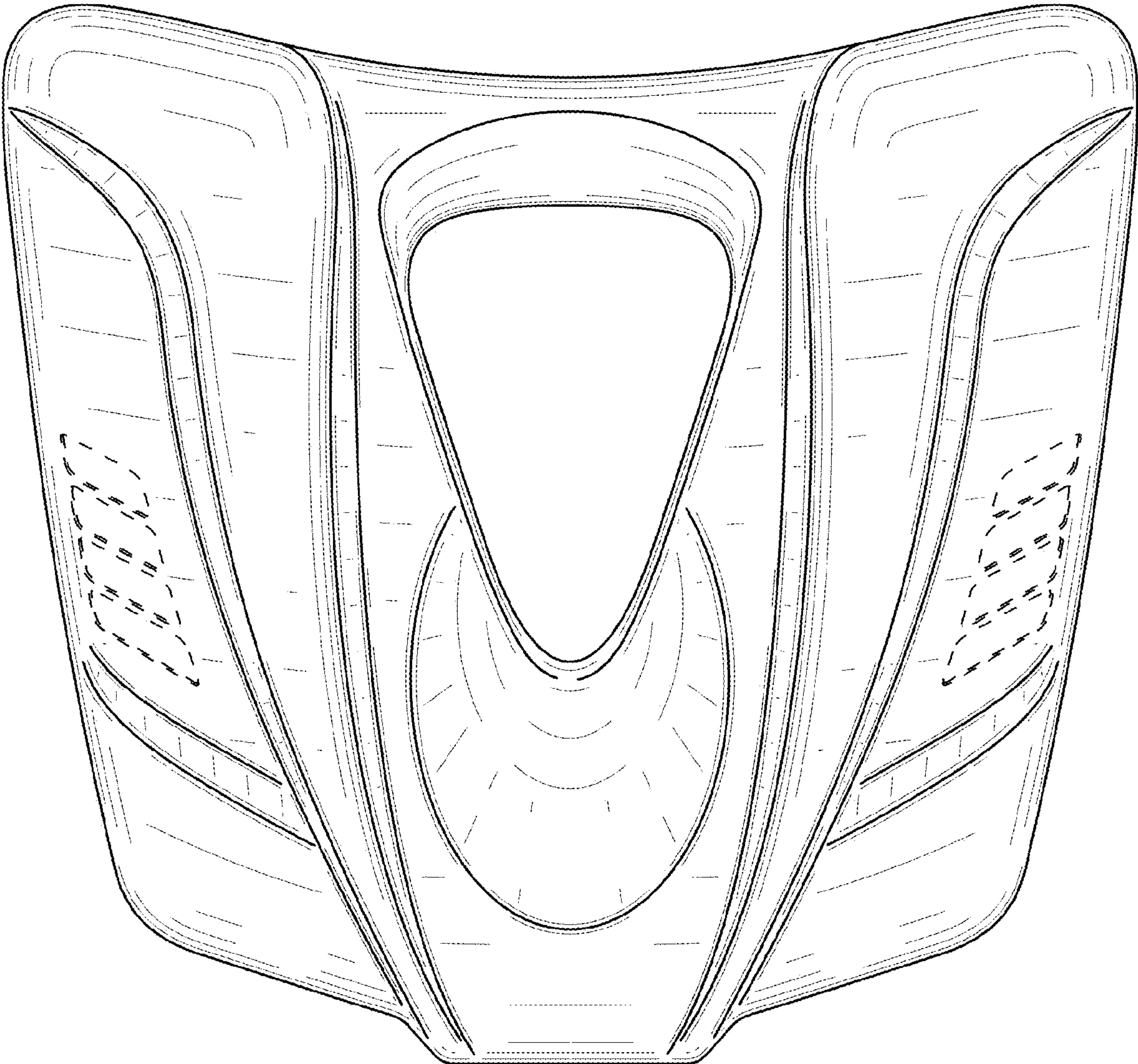


FIG. 2

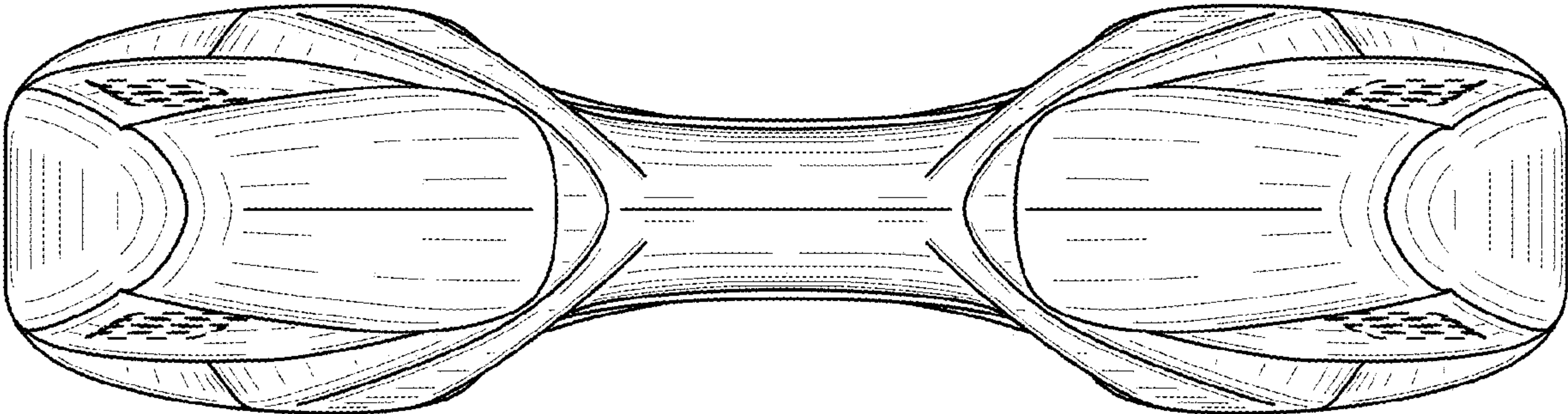


FIG. 3

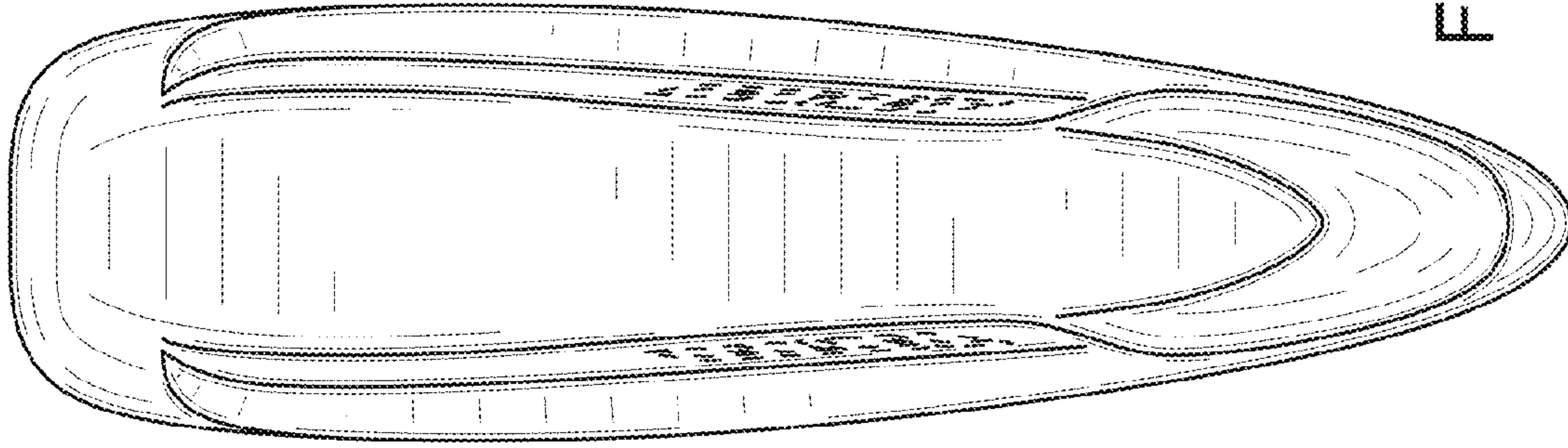


FIG. 5

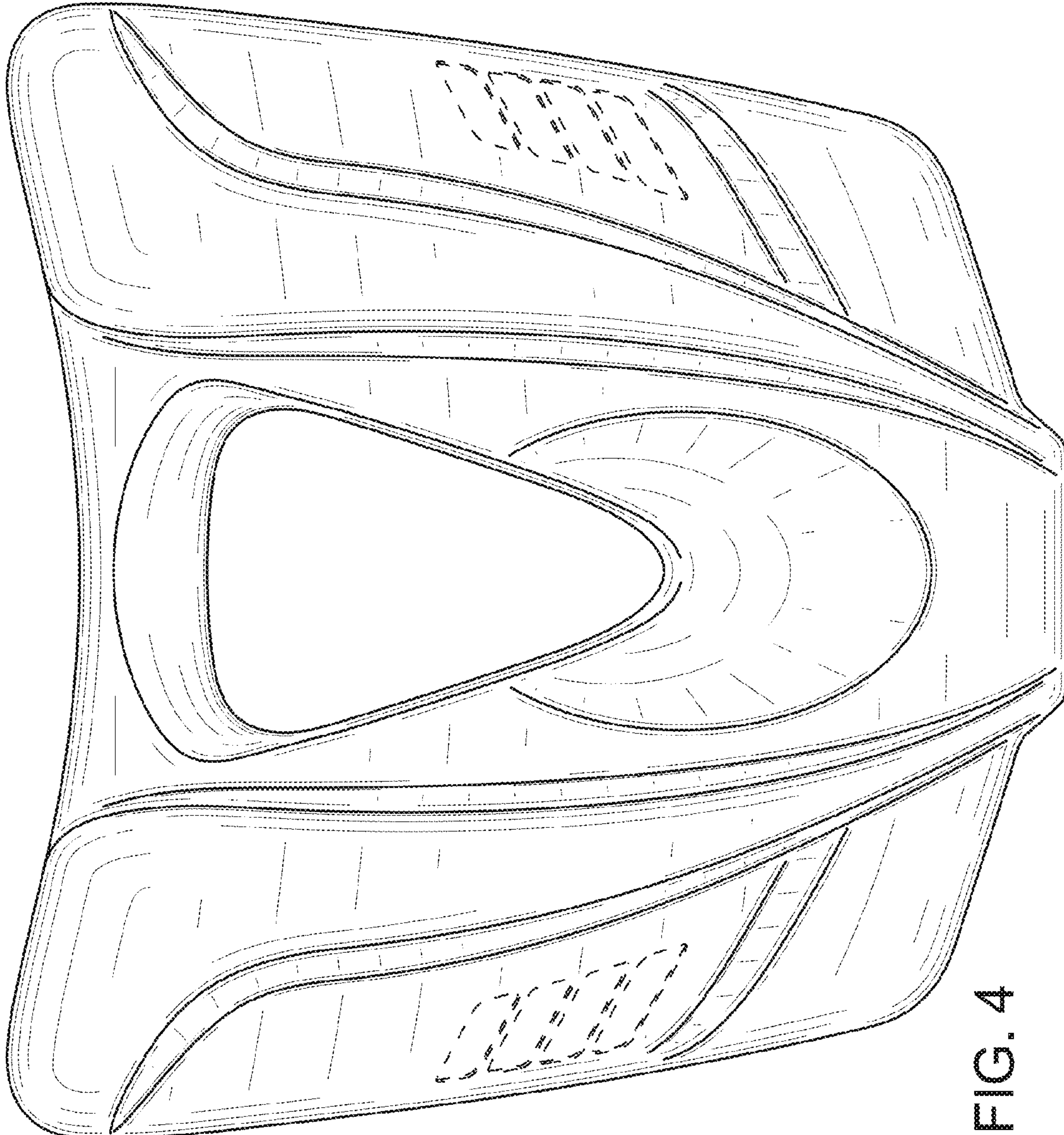


FIG. 4



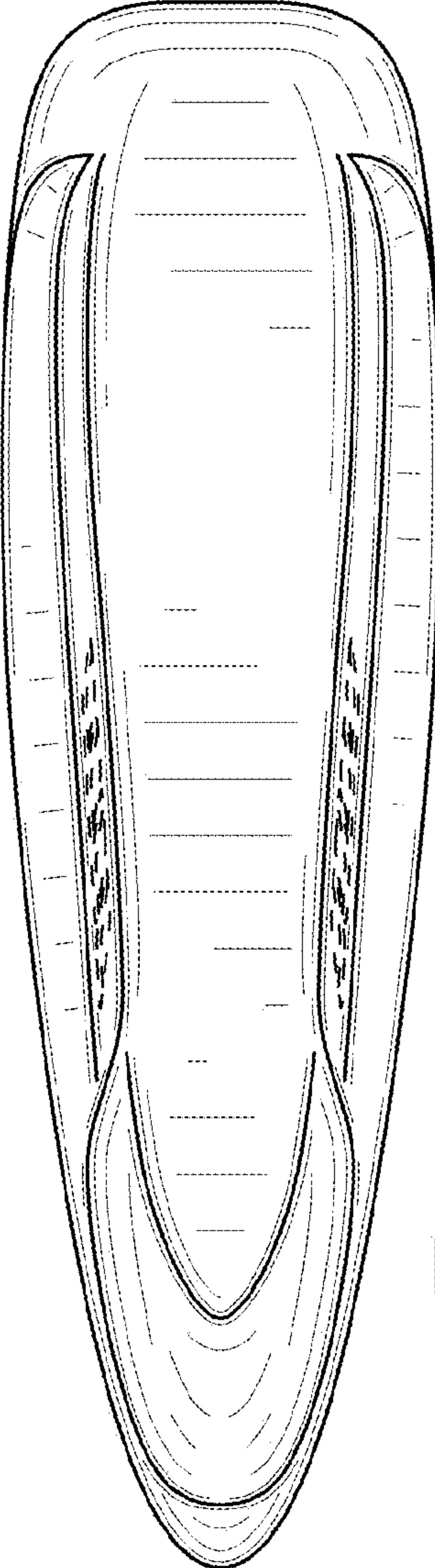


FIG. 6

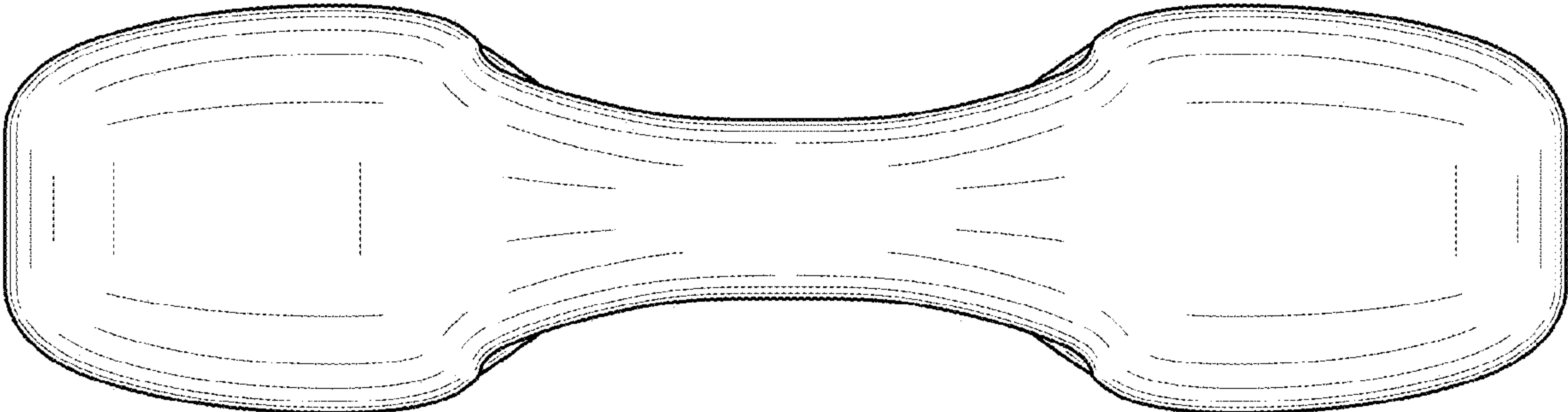


FIG. 7