



US00D987002S

(12) **United States Design Patent**
Taylor et al.

(10) **Patent No.:** **US D987,002 S**
(45) **Date of Patent:** **** May 23, 2023**

- (54) **GOLF CLUB HEAD**
- (71) Applicant: **Taylor Made Golf Company, Inc.**,
Carlsbad, CA (US)
- (72) Inventors: **Scott Taylor**, Bonita, CA (US);
Mattieu Bovee, Oceanside, CA (US)
- (73) Assignee: **Taylor Made Golf Company, Inc.**,
Carlsbad, CA (US)
- (**) Term: **15 Years**
- (21) Appl. No.: **29/775,586**
- (22) Filed: **Mar. 24, 2021**

8,920,261 B2 * 12/2014 Taylor B23P 11/02
473/350
D763,375 S * 8/2016 Chun D21/747
9,517,393 B2 * 12/2016 Cardani A63B 53/0475
9,731,176 B2 * 8/2017 Issertell A63B 53/02
(Continued)

Related U.S. Application Data

- (63) Continuation-in-part of application No. 17/132,541,
filed on Dec. 23, 2020, now Pat. No. 11,400,351, and
a continuation-in-part of application No. 17/132,520,
filed on Dec. 23, 2020, now Pat. No. 11,351,429,
which is a continuation-in-part of application No.
16/870,714, filed on May 8, 2020, now Pat. No.
11,406,882.
- (51) **LOC (14) Cl.** **21-02**
- (52) **U.S. Cl.**
USPC **D21/747**
- (58) **Field of Classification Search**
USPC D21/747-751, 759
CPC A63B 53/00; A63B 53/02; A63B 53/04;
A63B 53/047; A63B 53/0475; A63B
2053/0479; A63B 2053/0483; A63B
2053/0445; A63B 60/00; A63B 60/46
See application file for complete search history.

References Cited

U.S. PATENT DOCUMENTS

D591,373 S * 4/2009 Foster D21/747
D618,293 S * 6/2010 Foster D21/747
D696,366 S * 12/2013 Milo D21/747

OTHER PUBLICATIONS

Golf irons google search; google.com; Jan. 6, 2023.*
Tayormade irons google search; google.com; Jan. 6, 2023.*
tayormade.com; Jan. 6, 2023.*

Primary Examiner — Mitchell I. Siegel

(74) *Attorney, Agent, or Firm* — Klarquist Sparkman,
LLP

(57) **CLAIM**

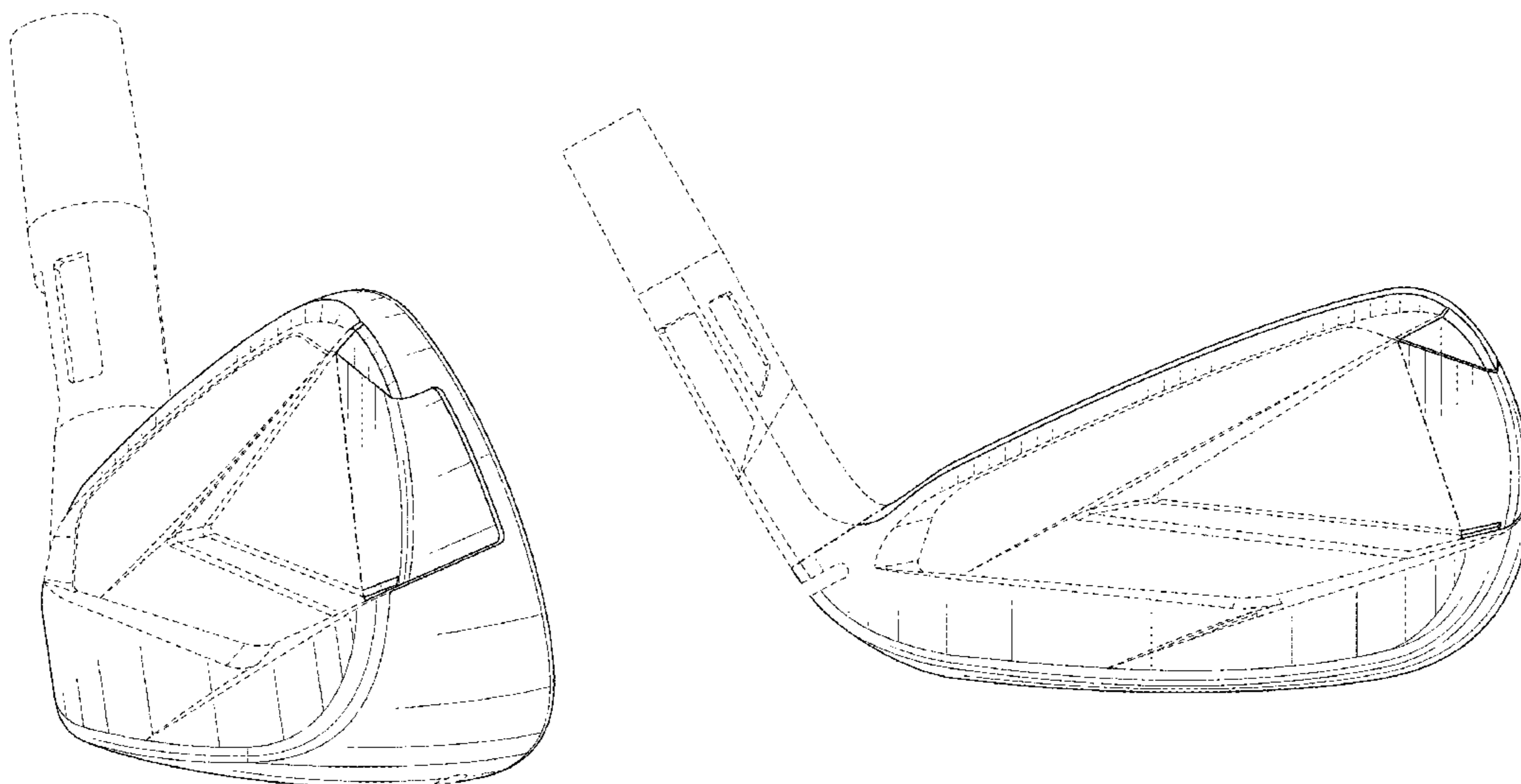
We claim the ornamental design for a golf club head, as
shown and described.

DESCRIPTION

FIG. 1 is a perspective view of a golf club head, as viewed
from the rear and one side, according to one embodiment.
FIG. 2 is a rear elevation view of a golf club head of FIG.
1.
FIG. 3 is a front elevation view of the golf club head of FIG.
1.
FIG. 4 is a side elevation view of a heel side of the golf club
head of FIG. 1.
FIG. 5 is a side elevation view of a toe side of the golf club
head of FIG. 1.
FIG. 6 is a top plan view of the golf club head of FIG. 1; and,
FIG. 7 is a bottom plan view of the golf club head of FIG.
1.

The broken lines in the drawings are for purpose of illus-
trating environmental structure as well as portions of the
design that form no part of the present claimed design. The
dash-dot broken lines represent a boundary and form no part
of the claimed design.

1 Claim, 4 Drawing Sheets



(56)

References Cited

U.S. PATENT DOCUMENTS

9,950,397	B2 *	4/2018	Taylor	B23P 11/02
D835,735	S *	12/2018	Chun	D21/747
10,350,714	B2 *	7/2019	Taylor	A63B 53/047
10,493,335	B2 *	12/2019	Issertell	A63B 53/0475
10,493,336	B2 *	12/2019	Taylor	A63B 60/00
10,716,979	B2 *	7/2020	Hosooka	A63B 53/0475
D893,646	S *	8/2020	Issertell	D21/747
D929,520	S *	8/2021	Jacobson	D21/747
11,338,183	B2 *	5/2022	Taylor	A63B 53/02
11,400,351	B2 *	8/2022	Halberg	A63B 53/0475
11,413,510	B2 *	8/2022	Halberg	A63B 60/02
D970,662	S *	11/2022	Demkowski	D21/747
2014/0171220	A1 *	6/2014	Taylor	A63B 53/047 29/525
2016/0332043	A1 *	11/2016	Cardani	A63B 53/0475
2022/0118326	A1 *	4/2022	Halberg	A63B 60/52
2022/0314082	A1 *	10/2022	Taylor	A63B 60/52
2022/0387865	A1 *	12/2022	Halberg	A63B 53/0475

* cited by examiner

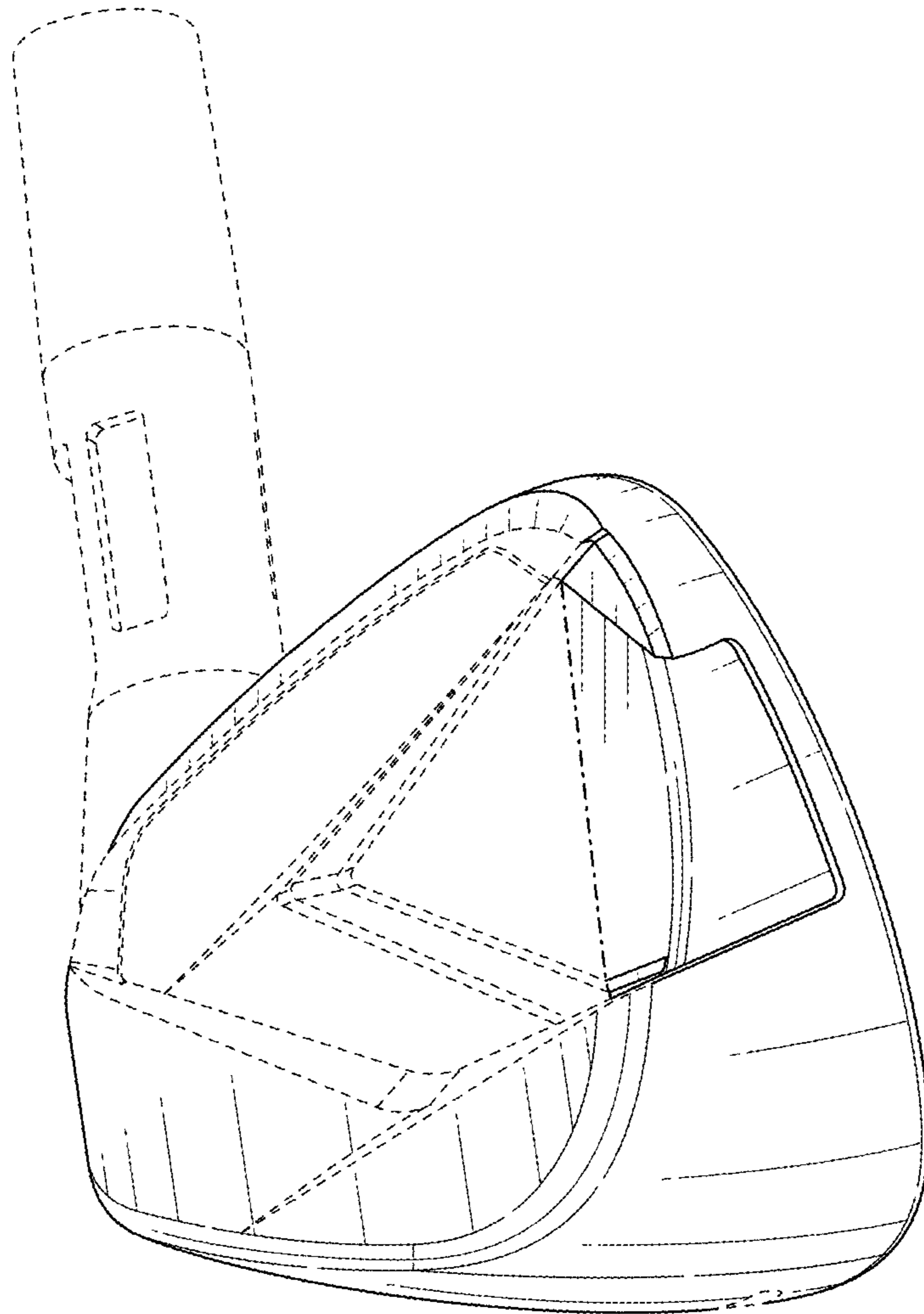


FIG. 1

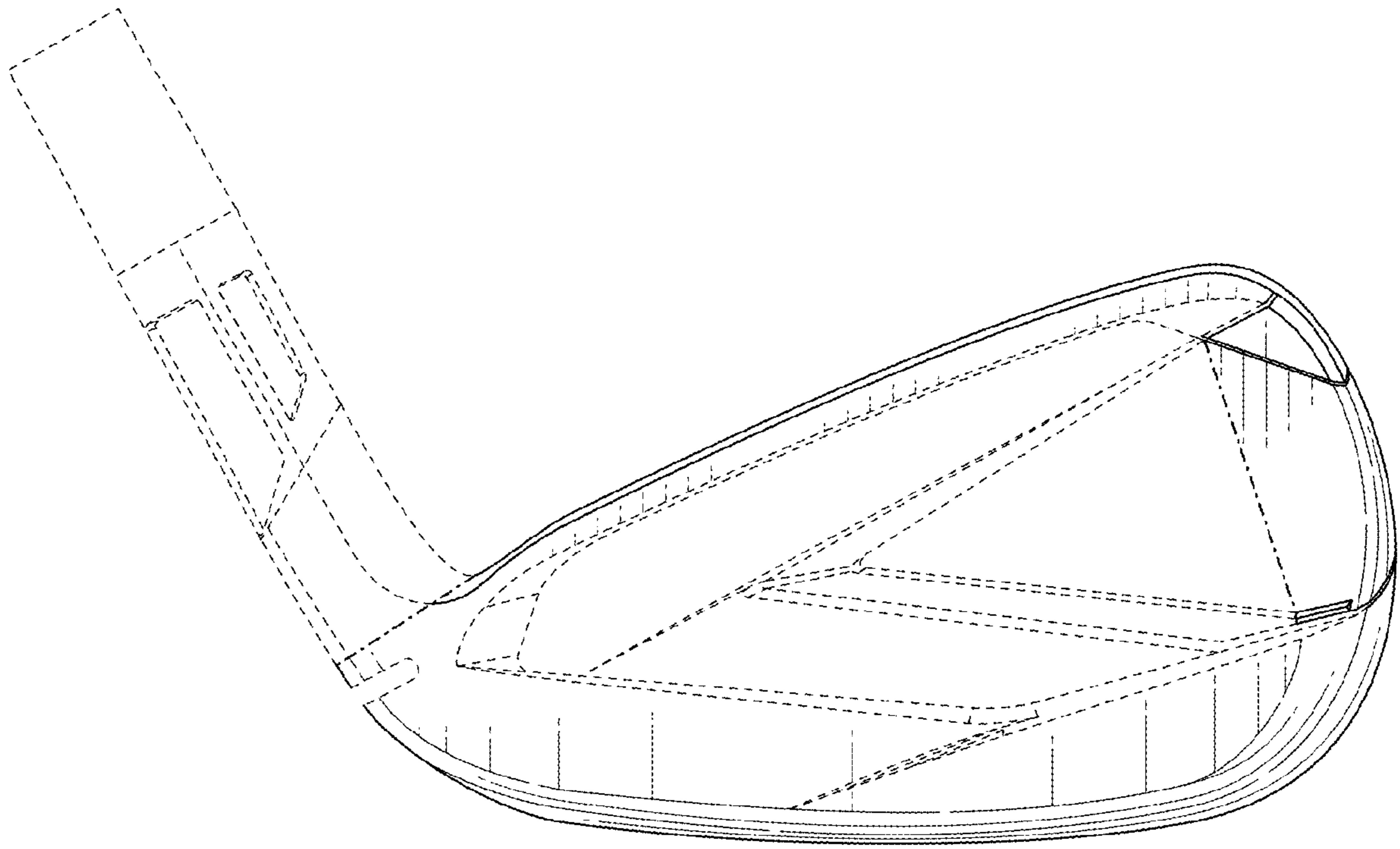


FIG. 2

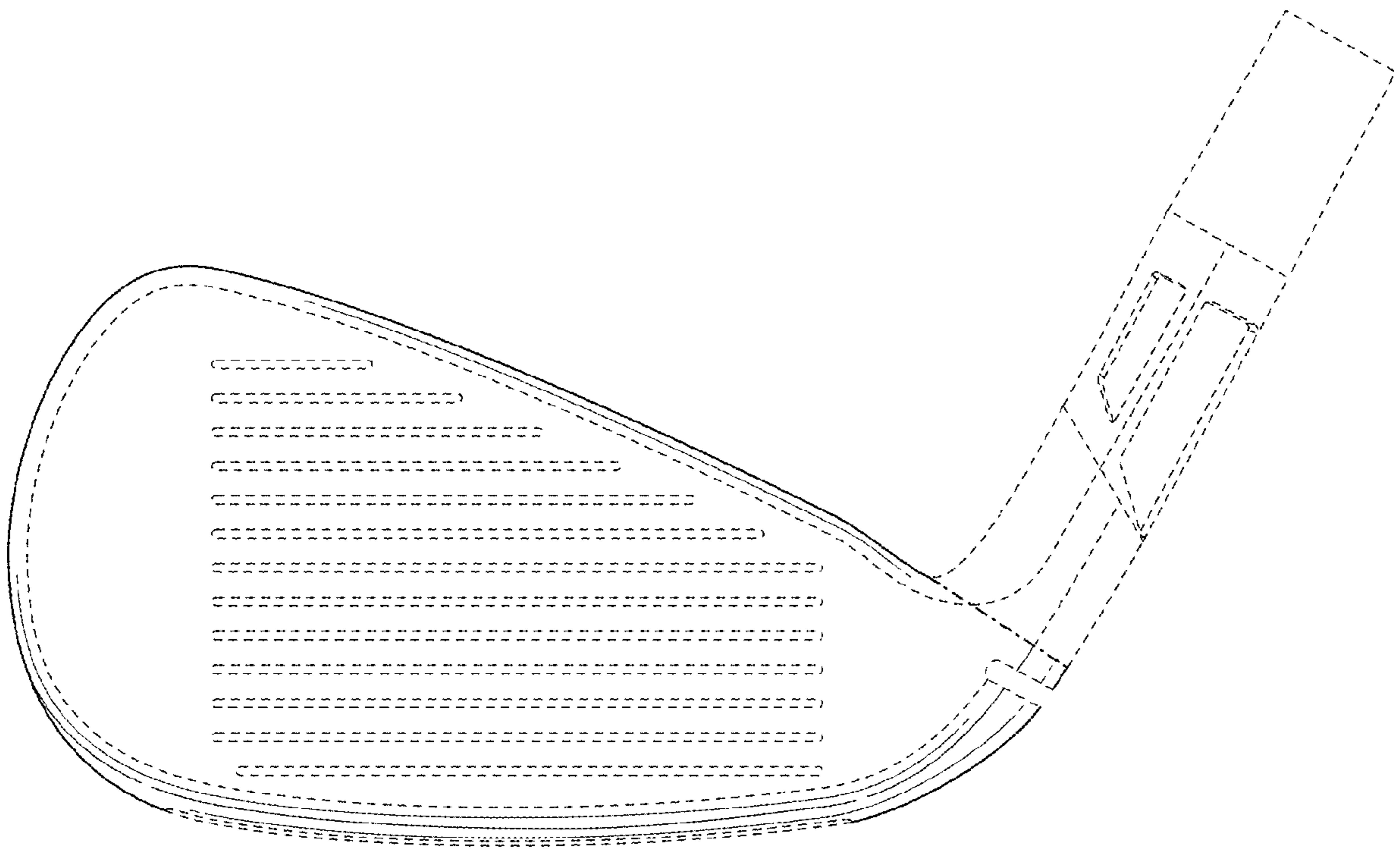


FIG. 3

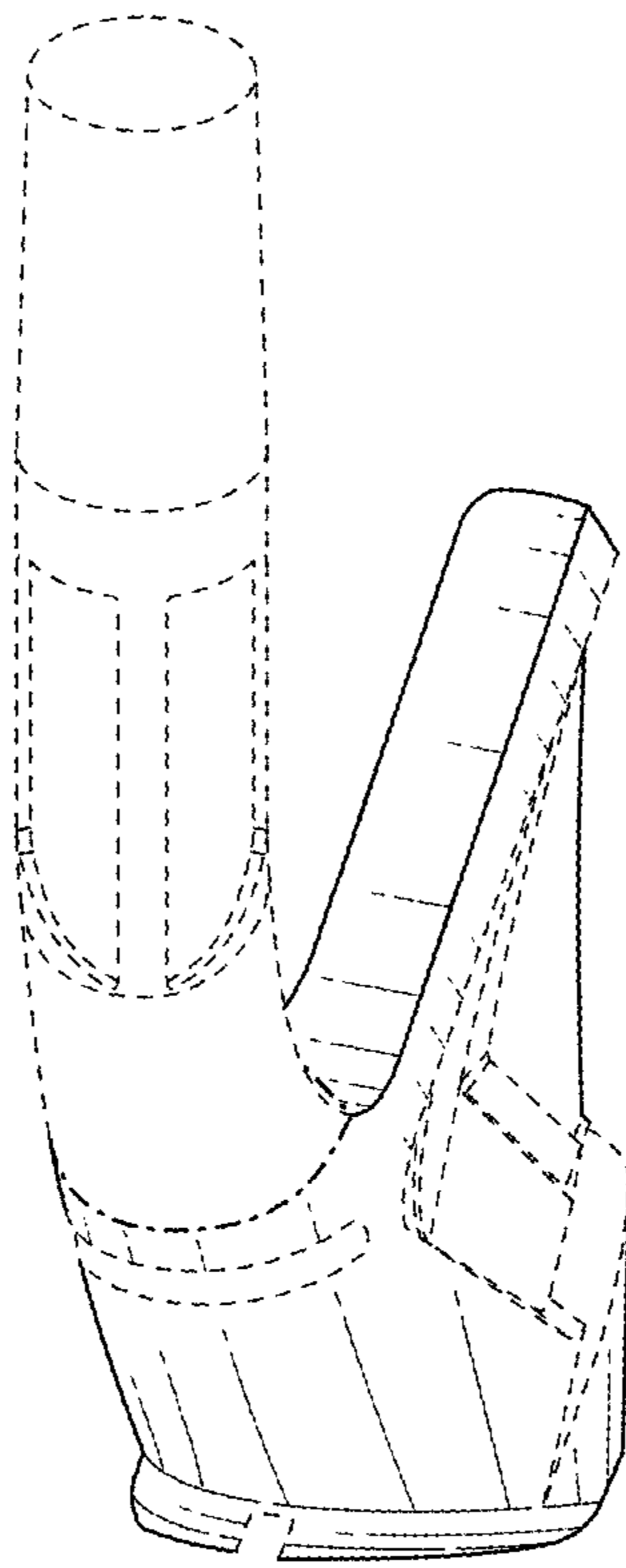


FIG. 4

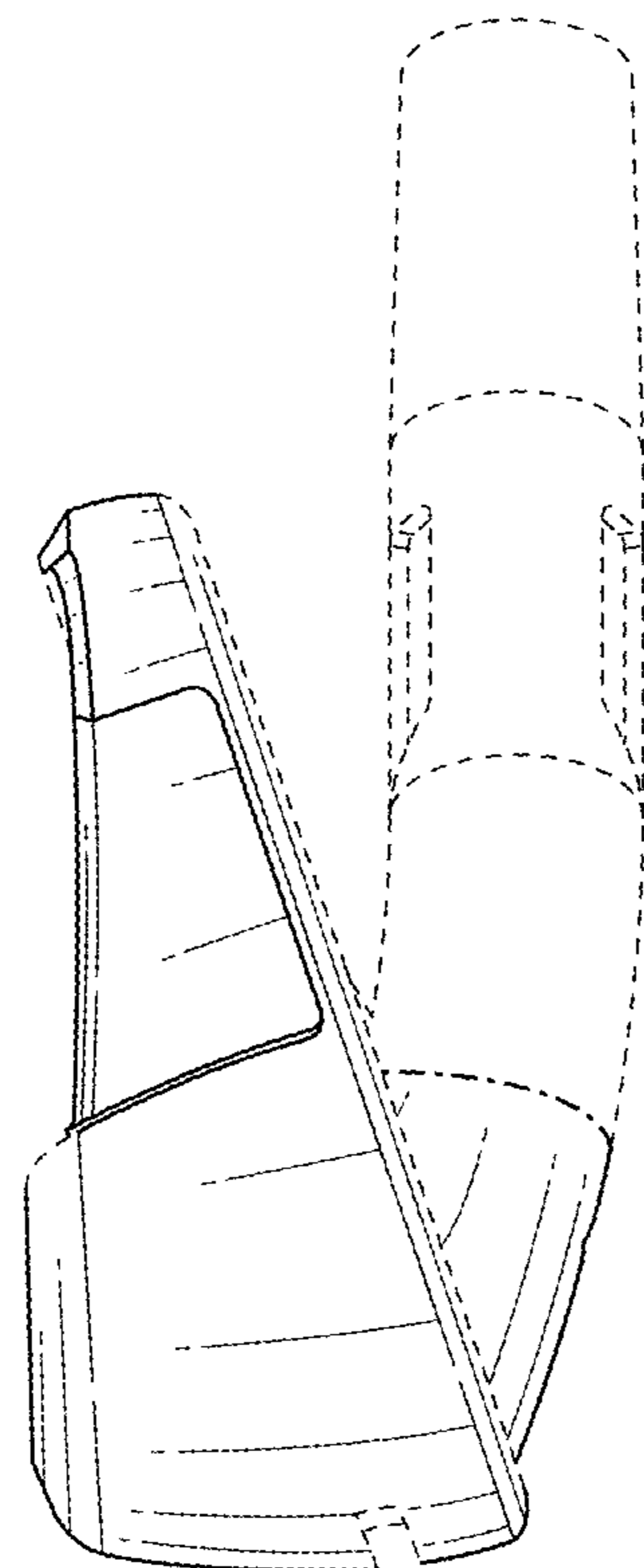


FIG. 5

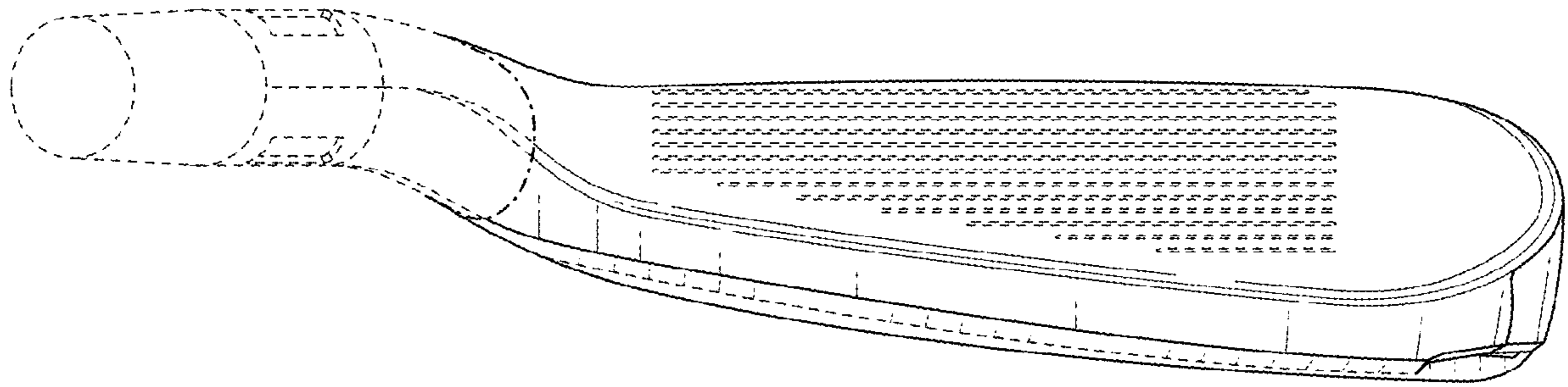


FIG. 6

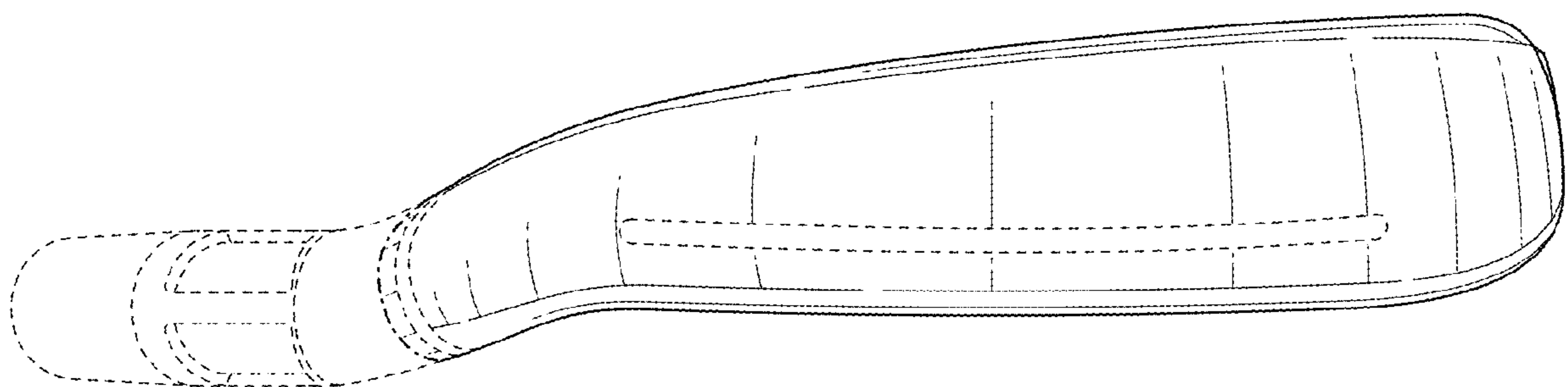


FIG. 7