



US00D987001S

(12) **United States Design Patent**
Clarke et al.

(10) **Patent No.:** **US D987,001 S**

(45) **Date of Patent:** **** May 23, 2023**

(54) **GOLF CLUB HEAD**

(71) Applicant: **KARSTEN MANUFACTURING CORPORATION**, Phoenix, AZ (US)

(72) Inventors: **Jacob T. Clarke**, Apex, NC (US);
Anthony D. Serrano, Phoenix, AZ (US);
Murphy R. Alexander, Scottsdale, AZ (US)

(73) Assignee: **Karsten Manufacturing Corporation**, Phoenix, AZ (US)

(**) Term: **15 Years**

(21) Appl. No.: **29/767,543**

(22) Filed: **Jan. 22, 2021**

(51) **LOC (14) Cl.** **21-02**

(52) **U.S. Cl.**
USPC **D21/743**

(58) **Field of Classification Search**
USPC D21/736-746, 759
CPC A63B 53/00; A63B 53/04; A63B 53/007;
A63B 53/065; A63B 53/0487; A63B
60/00; A63B 60/46

See application file for complete search history.

(56) **References Cited**

U.S. PATENT DOCUMENTS

D207,227 S	3/1967	Solheim	
D239,951 S	5/1976	Carrier	
D334,959 S	4/1993	Iinuma et al.	
D394,689 S *	5/1998	Sheets	D21/743
D402,721 S	12/1998	Gurrola	
D483,823 S	12/2003	Swist	
D485,320 S	1/2004	Breier et al.	
D498,276 S	11/2004	Schweigert et al.	
D524,887 S	7/2006	Jones et al.	
D525,328 S	7/2006	Solheim et al.	
D525,329 S	7/2006	Jones et al.	

D531,241 S *	10/2006	Hueber	D21/742
D535,712 S	1/2007	Torossian	
D548,294 S	8/2007	Nguyen et al.	
D565,678 S	4/2008	Cameron	
D574,906 S	8/2008	Jones et al.	
D574,909 S	8/2008	Jones et al.	
D574,911 S	8/2008	Jones et al.	
D583,887 S	12/2008	Cameron	
D590,462 S	4/2009	Hettinger et al.	
D599,423 S	9/2009	Serrano et al.	
D638,892 S	5/2011	Hettinger et al.	
D650,456 S	12/2011	Tang et al.	
D688,339 S	8/2013	Hilton et al.	
D689,574 S	9/2013	Rollinson	
D702,782 S	4/2014	Wempe et al.	
9,033,812 B2	5/2015	Solheim et al.	
D784,468 S *	4/2017	Rollinson	D21/743

(Continued)

FOREIGN PATENT DOCUMENTS

JP 1685998 5/2021

Primary Examiner — Mitchell I. Siegel

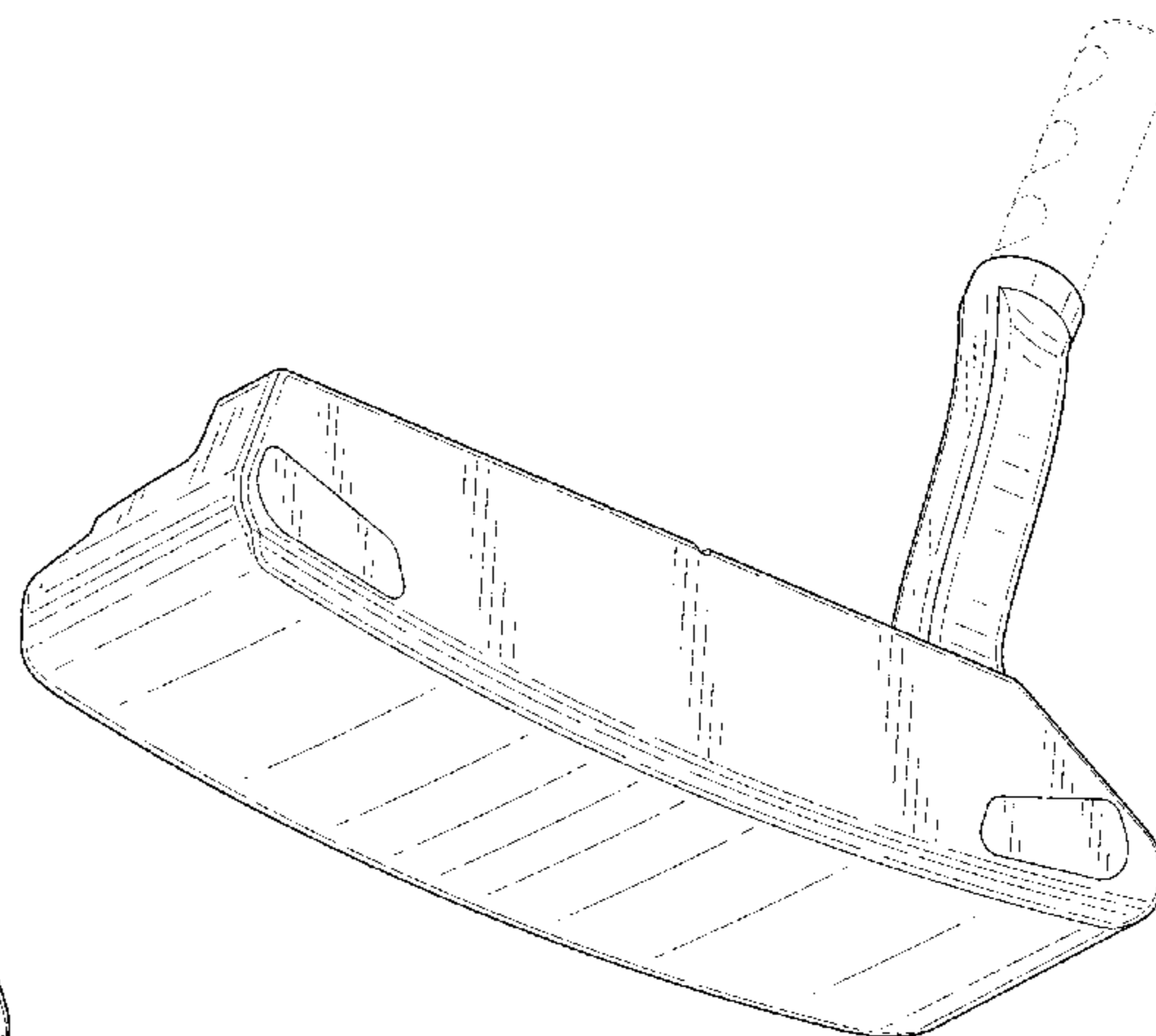
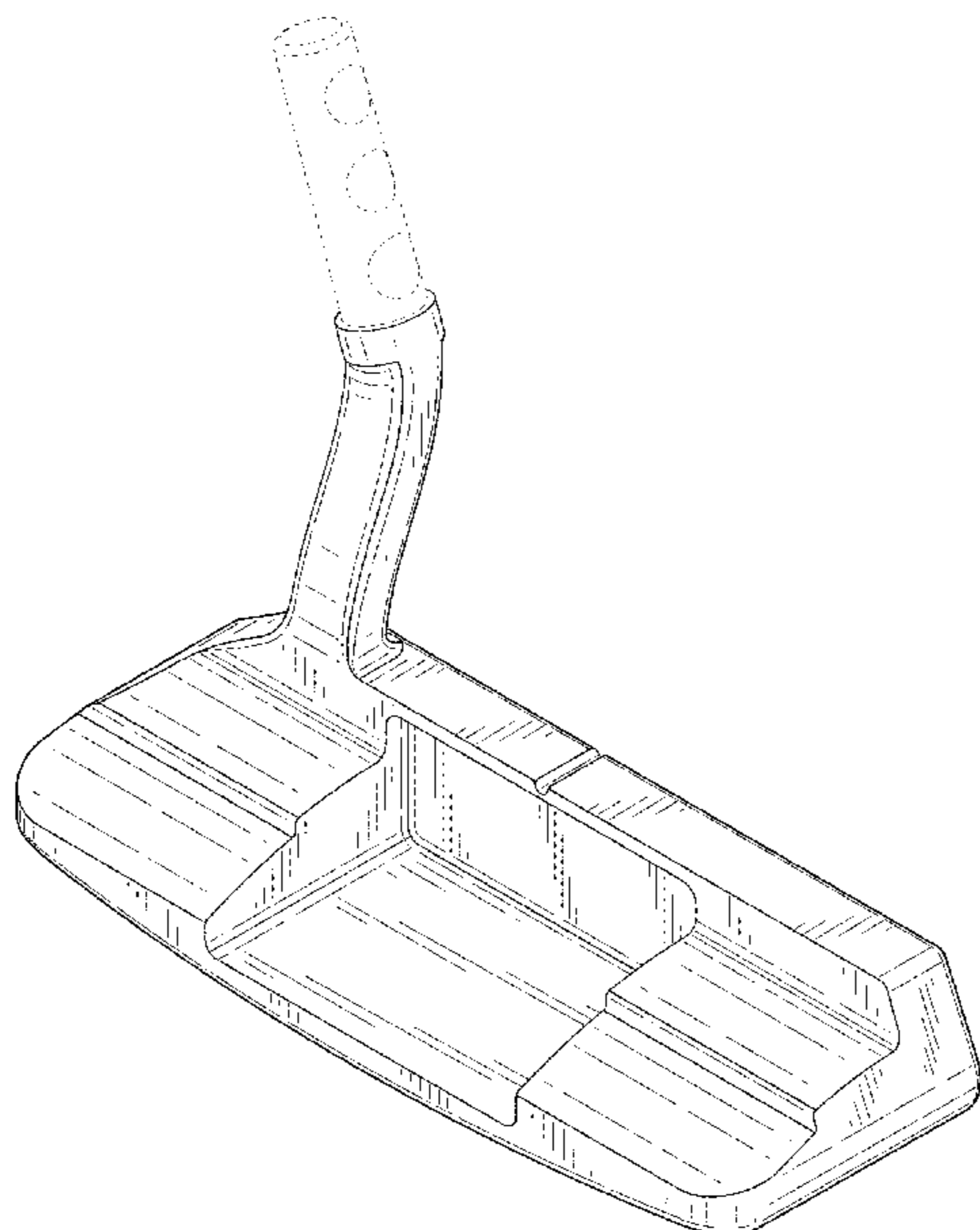
(57) **CLAIM**

The ornamental design for a golf club head, as shown and described.

DESCRIPTION

FIG. 1 is a top perspective view of a golf club head;
FIG. 2 is a bottom perspective view of the golf club head of FIG. 1;
FIG. 3 is a top view of the golf club head of FIG. 1;
FIG. 4 is a bottom view of the golf club head of FIG. 1;
FIG. 5 is a front view of the golf club head of FIG. 1;
FIG. 6 is a rear view of the golf club head of FIG. 1;
FIG. 7 is a heel side view of the golf club head of FIG. 1;
and,
FIG. 8 is a toe side view of the golf club head of FIG. 1.
The broken lines shown form no part of the claimed design.

1 Claim, 7 Drawing Sheets



(56)

References Cited

U.S. PATENT DOCUMENTS

D792,537 S * 7/2017 Clarke D21/744
D797,220 S * 9/2017 Serrano D21/743
D837,315 S 1/2019 Rollinson
D852,301 S * 6/2019 Serrano D21/743
2022/0054904 A1 * 2/2022 Willmott A63B 53/0487

* cited by examiner

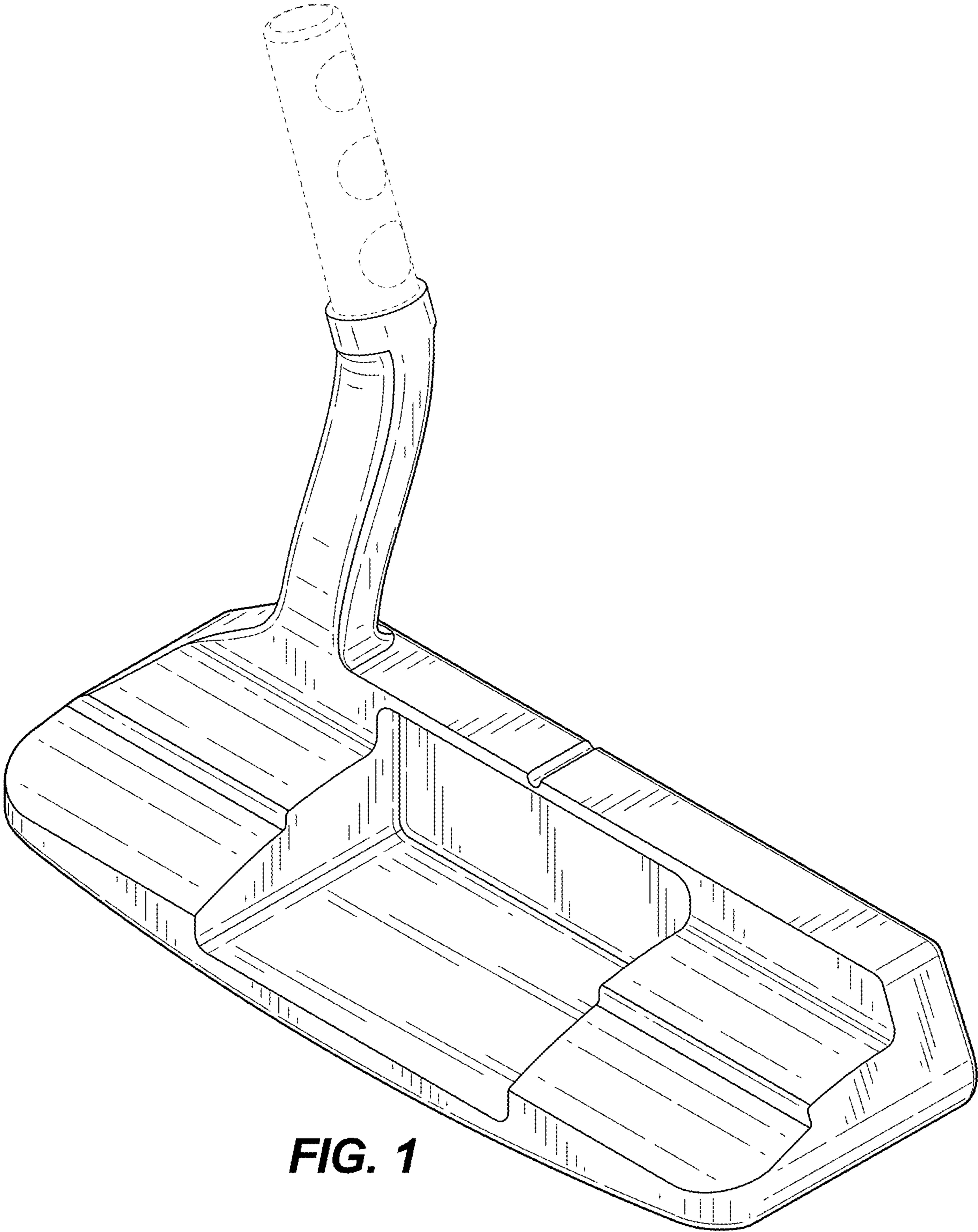


FIG. 1

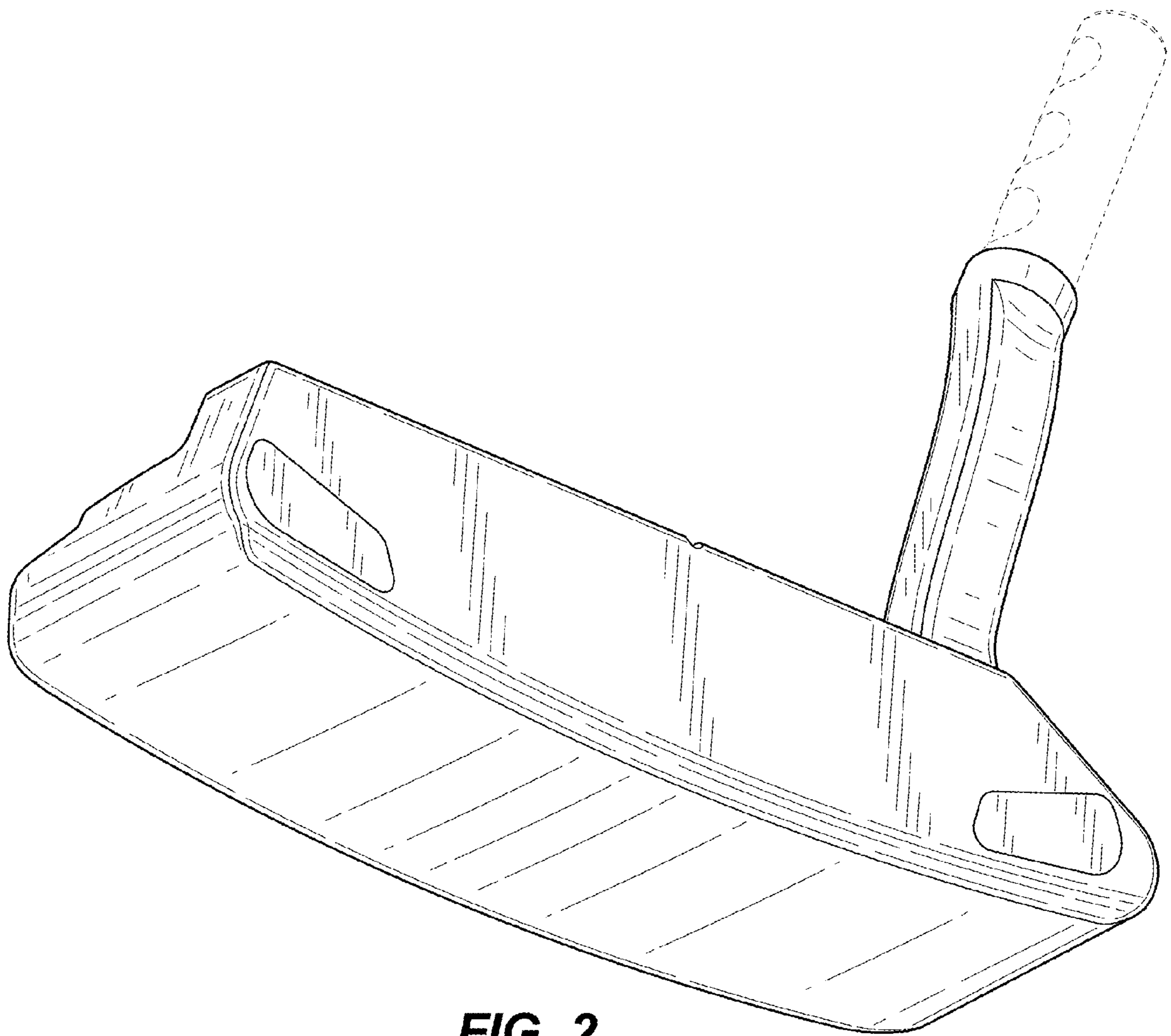


FIG. 2

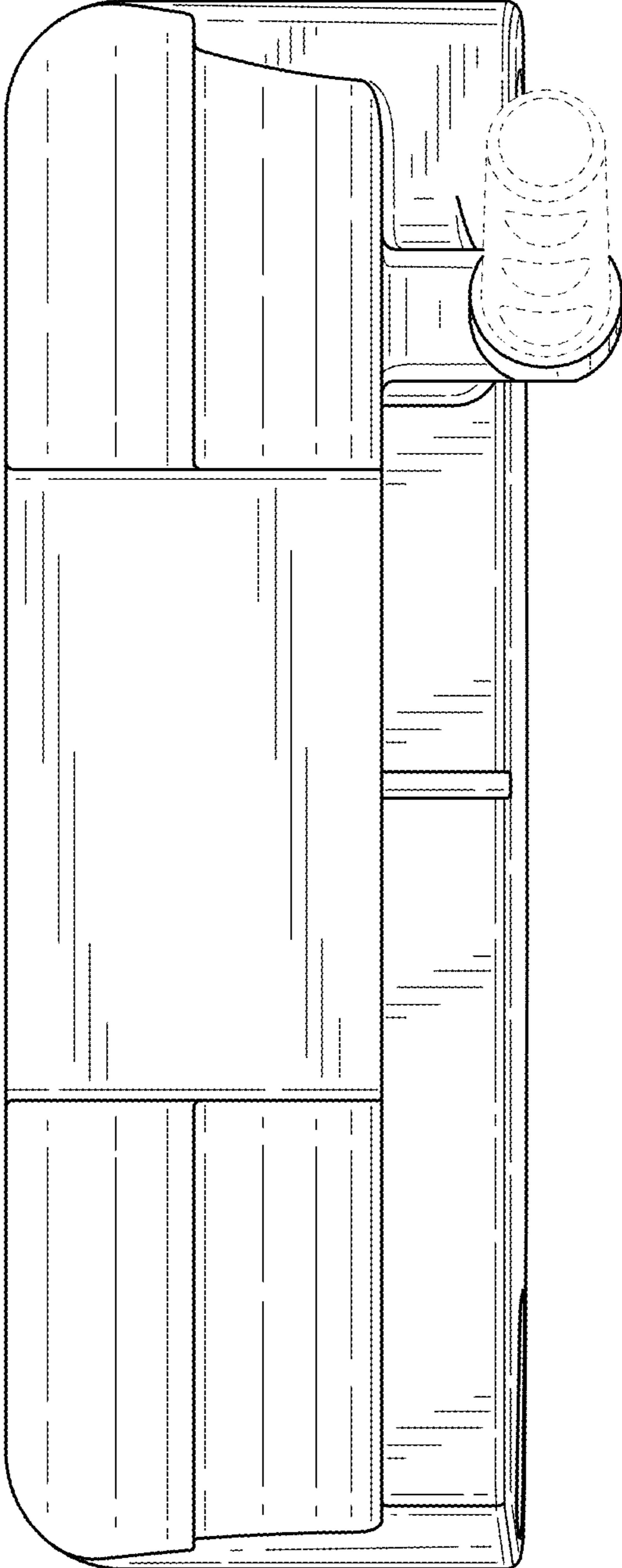


FIG. 3

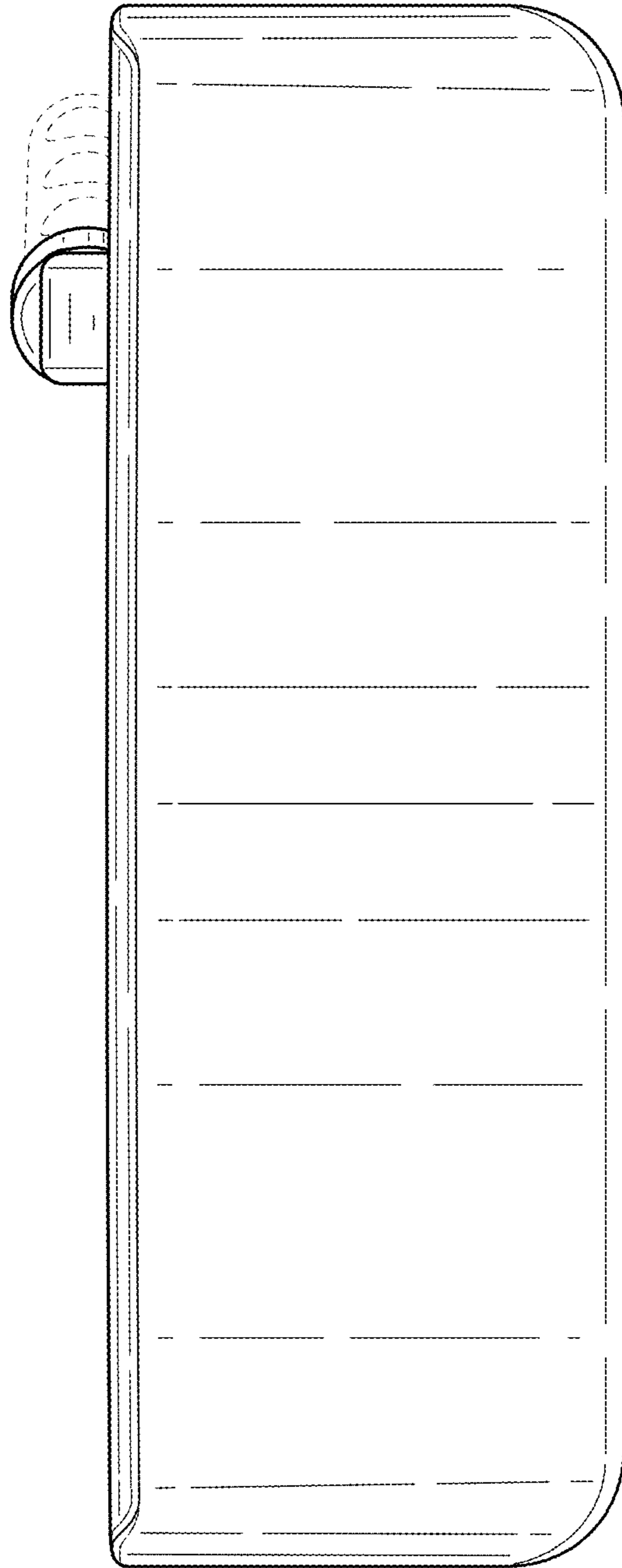


FIG. 4

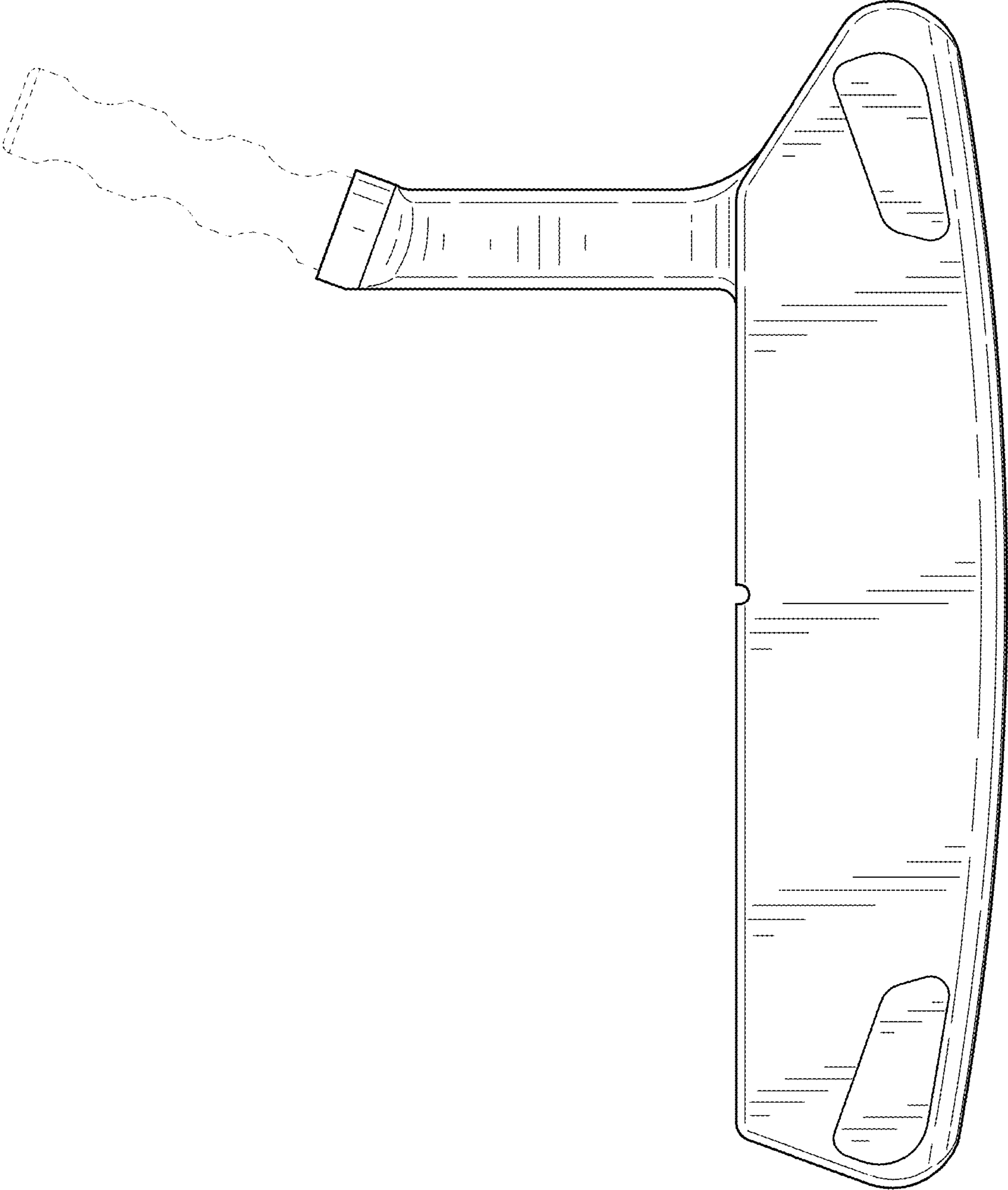


FIG. 5

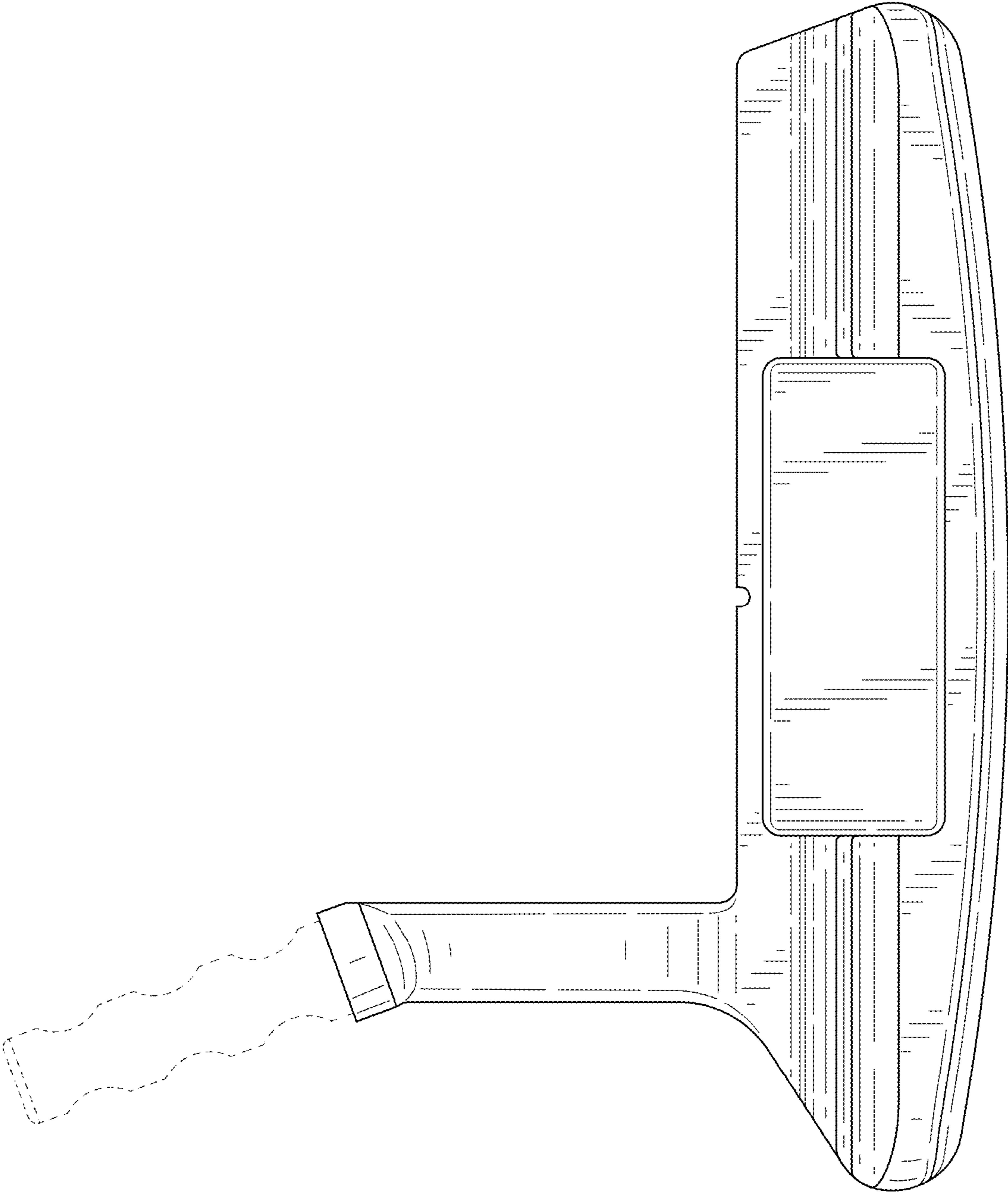


FIG. 6

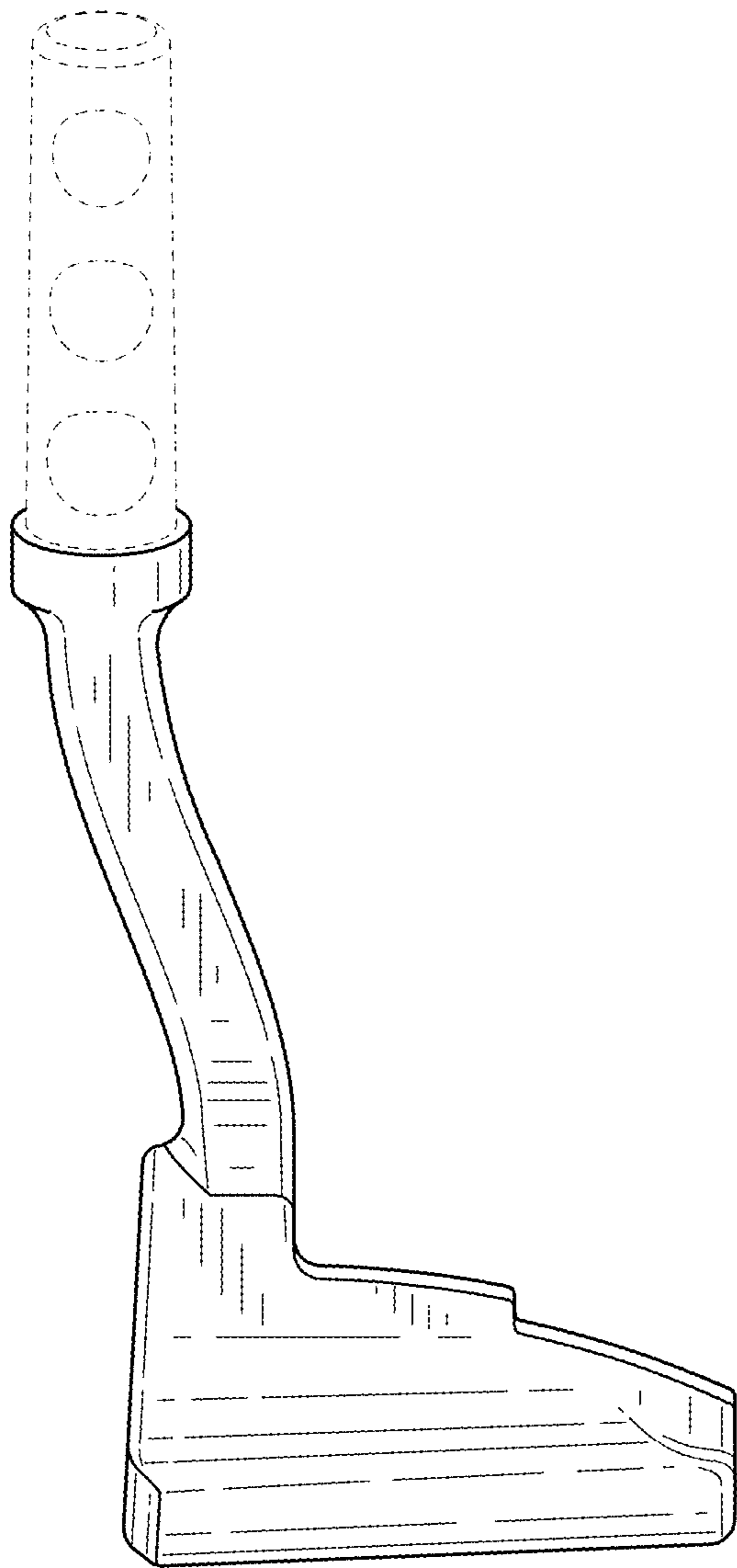


FIG. 7

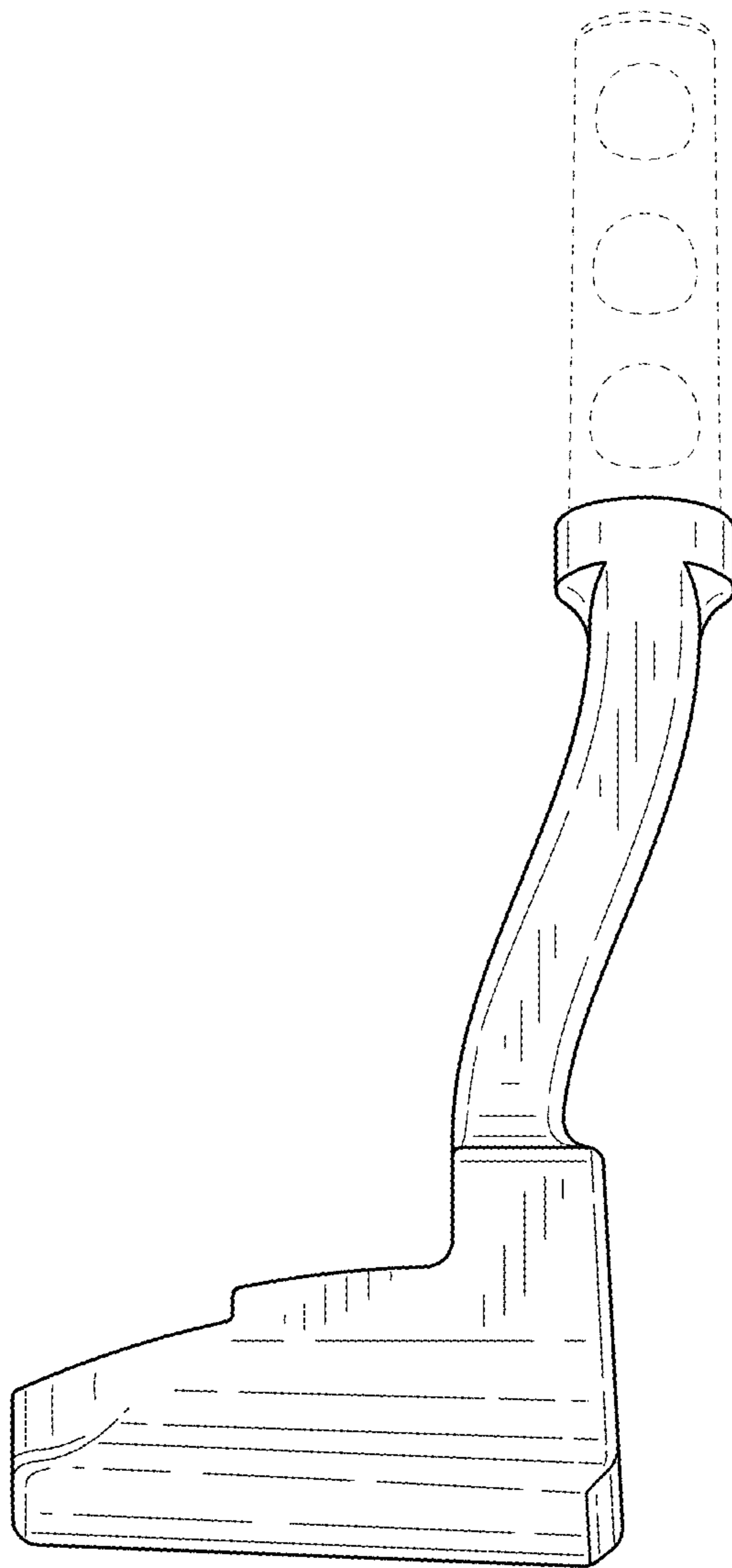


FIG. 8