



US00D987000S

(12) **United States Design Patent**
Clarke et al.

(10) **Patent No.:** **US D987,000 S**
(45) **Date of Patent:** **** May 23, 2023**

- (54) **GOLF CLUB HEAD**
- (71) Applicant: **KARSTEN MANUFACTURING CORPORATION**, Phoenix, AZ (US)
- (72) Inventors: **Jacob T. Clarke**, Apex, NC (US);
Anthony D. Serrano, Phoenix, AZ (US); **Murphy R. Alexander**, Scottsdale, AZ (US)
- (73) Assignee: **Karsten Manufacturing Corporation**, Phoenix, AZ (US)
- (**) Term: **15 Years**
- (21) Appl. No.: **29/767,122**
- (22) Filed: **Jan. 20, 2021**
- (51) **LOC (14) Cl.** **21-02**
- (52) **U.S. Cl.**
USPC **D21/743**
- (58) **Field of Classification Search**
USPC D21/736-746, 759
CPC A63B 53/00; A63B 53/04; A63B 53/007;
A63B 53/065; A63B 53/0487; A63B 60/00; A63B 60/46
See application file for complete search history.

(56) **References Cited**
U.S. PATENT DOCUMENTS

D196,734 S	10/1963	Solheim
D202,715 S	11/1965	Solheim
D203,512 S	1/1966	Solheim
D207,227 S	3/1967	Solheim
D207,228 S	3/1967	Solheim
D209,761 S	1/1968	Solheim
D213,509 S	3/1969	Solheim
D218,178 S	7/1970	Solheim
D231,375 S	4/1974	Solheim
D235,668 S	7/1975	Swash

D239,778 S	5/1976	Solheim
3,954,265 A	5/1976	Taylor
D255,373 S	6/1980	Solheim
D263,614 S	3/1982	Solheim
4,527,799 A	7/1985	Solheim
D283,039 S	3/1986	Solheim
4,834,387 A	5/1989	Waites et al.
D315,005 S	2/1991	Solheim
D324,555 S	3/1992	Evans
D333,331 S	2/1993	Evans
5,211,401 A	5/1993	Hainey
5,226,654 A	7/1993	Solheim
D341,405 S	11/1993	Solheim
D342,112 S	12/1993	Diesterheft
5,324,031 A	6/1994	Green
D356,615 S	3/1995	Solheim
D356,844 S	3/1995	Solheim et al.
D356,846 S	3/1995	Murrill
D357,291 S	4/1995	Solheim
5,482,281 A	1/1996	Anderson
D375,768 S	11/1996	Solheim

(Continued)

Primary Examiner — Mitchell I. Siegel

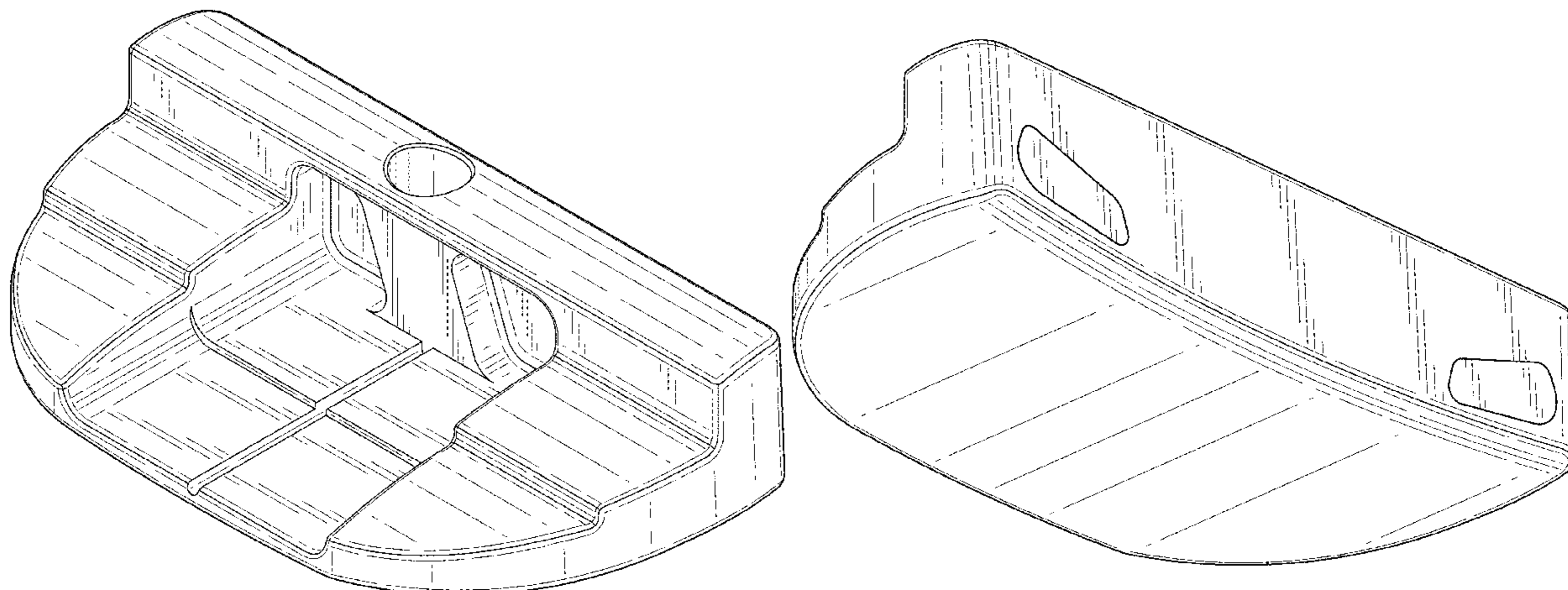
(57) **CLAIM**

The ornamental design for a golf club head, as shown and described.

DESCRIPTION

FIG. 1 is a top perspective view of a golf club head;
 FIG. 2 is a bottom perspective view of the golf club head of FIG. 1;
 FIG. 3 is a top view of the golf club head of FIG. 1;
 FIG. 4 is a bottom view of the golf club head of FIG. 1;
 FIG. 5 is a front view of the golf club head of FIG. 1;
 FIG. 6 is a rear view of the golf club head of FIG. 1;
 FIG. 7 is a heel side view of the golf club head of FIG. 1;
 and,
 FIG. 8 is a toe side view of the golf club head of FIG. 1.
 The broken lines shown form no part of the claimed design.

1 Claim, 6 Drawing Sheets



(56)

References Cited

U.S. PATENT DOCUMENTS

D379,484 S	5/1997	Solheim	D547,404 S	7/2007	Serrano et al.
D380,246 S	6/1997	Solheim et al.	D547,405 S	7/2007	Serrano et al.
D399,911 S	10/1998	Nicolette et al.	D548,295 S	8/2007	Jertson et al.
D400,610 S	11/1998	Cameron et al.	D552,197 S	10/2007	Wells et al.
D402,343 S	12/1998	Helmstetter et al.	D557,361 S	12/2007	Rollinson
D405,836 S	2/1999	Nicolette et al.	D564,606 S	3/2008	Oldknow et al.
D405,856 S	2/1999	Tang et al.	D564,607 S	3/2008	Oldknow et al.
D407,445 S	3/1999	Rollinson et al.	D565,138 S	3/2008	Wilson
D410,267 S	5/1999	Solheim	D569,461 S	5/2008	Morris
D411,271 S	6/1999	Nelson	D569,462 S	5/2008	Rollinson
D428,086 S	7/2000	Solheim	D571,877 S	6/2008	Jones et al.
D441,820 S	5/2001	Nicolette et al.	D571,878 S	6/2008	Jones et al.
D443,905 S	6/2001	Nicolette et al.	D571,879 S	6/2008	Jones et al.
D444,833 S	7/2001	Wells et al.	7,390,267 B2	6/2008	Grace
D449,085 S	10/2001	Breier et al.	D573,673 S	7/2008	Noyes
D450,799 S	11/2001	Nicolette et al.	D574,907 S	8/2008	Jones et al.
D451,973 S	12/2001	Wells et al.	D574,908 S	8/2008	Hettinger et al.
D454,169 S	3/2002	Solheim	D574,909 S	8/2008	Jones et al.
D464,099 S	10/2002	Cole	D574,910 S	8/2008	Jones et al.
D467,291 S	12/2002	Ngon	D574,911 S	8/2008	Jones et al.
D472,949 S	4/2003	Serrano	D574,912 S	8/2008	Jones et al.
D474,821 S	5/2003	Wells et al.	D575,366 S	8/2008	Rollinson
D477,041 S	7/2003	Cameron	D577,085 S	9/2008	Nicolette et al.
6,634,956 B1	10/2003	Pegg	D577,086 S	9/2008	Nicolette et al.
D483,086 S	12/2003	Schweigert et al.	D577,398 S	9/2008	Hilton
D485,592 S	1/2004	Hettinger	D579,505 S	10/2008	Jones
D488,200 S	4/2004	Olsavsky et al.	D579,506 S	10/2008	Nicolette et al.
D494,237 S	8/2004	Ware	D579,995 S	11/2008	Nicolette et al.
D498,276 S	11/2004	Schweigert	7,455,599 B2	11/2008	Jones
D499,778 S	12/2004	Cameron	D582,497 S	12/2008	Rollinson
D500,109 S	12/2004	Solheim et al.	D583,886 S	12/2008	Cameron
D500,110 S	12/2004	Solheim et al.	D585,510 S	1/2009	Murrieta
D500,539 S	1/2005	Holloway	7,473,189 B2	1/2009	Schweigert et al.
D502,234 S	2/2005	Grace	7,481,713 B2	1/2009	Beckman
D502,748 S	3/2005	Burrows	D587,325 S	2/2009	Solheim et al.
D505,702 S	5/2005	Wood	D588,657 S	3/2009	Hettinger
D506,795 S	6/2005	Petersen	D590,035 S	4/2009	Hilton
D506,796 S	6/2005	Li	D590,461 S	4/2009	Kim et al.
D507,613 S	7/2005	Baiocchi	D591,371 S	4/2009	Hilton
D508,273 S	8/2005	Garner et al.	D591,372 S	4/2009	Tang et al.
D510,394 S	10/2005	Tang et al.	D591,806 S	5/2009	Cameron
6,958,019 B2	10/2005	Rohrer	D591,807 S	5/2009	Rollinson
D511,802 S	11/2005	Cameron	D592,717 S	5/2009	Rollinson
6,960,140 B2	11/2005	Solheim et al.	D594,073 S	6/2009	Kadoya
6,966,845 B2	11/2005	Solheim et al.	D594,517 S	6/2009	Tang et al.
D514,181 S	1/2006	Cameron	D594,917 S	6/2009	Stellander
D514,182 S	1/2006	Olsavsky et al.	D595,372 S	6/2009	Rollinson
D515,646 S	2/2006	Perry	D595,373 S	6/2009	Kim et al.
D517,143 S	3/2006	Petsel et al.	D596,685 S	7/2009	Wallans
D518,127 S	3/2006	Tang et al.	D599,423 S	9/2009	Serrano et al.
D520,583 S	5/2006	Rollinson et al.	D599,424 S	9/2009	Serrano et al.
D521,582 S	5/2006	Souza et al.	D599,425 S	9/2009	Laub
7,052,411 B2	5/2006	Solheim et al.	D599,868 S	9/2009	Serrano et al.
D522,598 S	6/2006	Solheim et al.	D599,869 S	9/2009	Serrano et al.
D524,887 S	7/2006	Jones et al.	D599,870 S	9/2009	Serrano et al.
D525,327 S	7/2006	Jones et al.	D600,760 S	9/2009	Serrano et al.
D525,328 S	7/2006	Solheim et al.	D600,761 S	9/2009	Solheim et al.
D525,329 S	7/2006	Jones et al.	D600,762 S	9/2009	Serrano et al.
7,077,758 B2	7/2006	Rohrer	D601,214 S	9/2009	Serrano et al.
D527,777 S	9/2006	Solheim et al.	D603,008 S	10/2009	Donahue
D529,560 S	10/2006	Madore	7,601,076 B2	10/2009	Rollinson
D532,842 S	11/2006	Jones et al.	D604,782 S	11/2009	Franklin
D532,843 S	11/2006	Jones et al.	D606,139 S	12/2009	Ines et al.
D532,845 S	11/2006	Rollinson	7,645,199 B2	1/2010	Cameron
D532,846 S	11/2006	Lee et al.	D621,458 S	8/2010	Serrano et al.
D533,243 S	12/2006	Fife et al.	D621,459 S	8/2010	Serrano et al.
D533,609 S	12/2006	Moore et al.	D621,460 S	8/2010	Serrano et al.
7,147,569 B2	12/2006	Tang et al.	D621,461 S	8/2010	Serrano et al.
D534,974 S	1/2007	Haack	D621,462 S	8/2010	Serrano et al.
D536,400 S	2/2007	Dibattista	D621,891 S	8/2010	Serrano et al.
D537,135 S	2/2007	Rollinson	D623,709 S	9/2010	Serrano et al.
D539,860 S	4/2007	Fussell	7,794,334 B2	9/2010	Hilton
D542,873 S	5/2007	Oldknow	7,803,066 B2	9/2010	Solheim et al.
D545,385 S	6/2007	Tang et al.	D624,978 S	10/2010	Rollinson
D547,403 S	7/2007	Serrano et al.	D635,625 S	4/2011	Rollinson
			7,959,520 B2	6/2011	Campadore et al.
			D641,057 S	7/2011	Rollinson
			D641,440 S	7/2011	Hettinger
			D641,442 S	7/2011	Rollinson

(56)

References Cited

U.S. PATENT DOCUMENTS

D650,455	S	12/2011	Serrano et al.	
D650,457	S	12/2011	Rollinson	
D650,458	S	12/2011	Rollinson	
8,083,611	B2	12/2011	Kuan et al.	
D652,092	S	1/2012	Rollinson	
8,100,779	B2	1/2012	Solheim et al.	
8,109,838	B2	2/2012	Solheim et al.	
D688,762	S	8/2013	Hilton	
D690,378	S	9/2013	Rollinson	
D691,226	S	10/2013	Hilton et al.	
D733,233	S	6/2015	Dolezel	
D844,724	S *	4/2019	Wang	D21/743
D875,195	S *	2/2020	Serrano	D21/743
D912,176	S *	3/2021	Toulon	D21/743
D923,730	S *	6/2021	Serrano	D21/743
D929,515	S *	8/2021	Wang	D21/743
D934,361	S *	10/2021	Toulon	D21/736
2007/0021229	A1	1/2007	Haack	
2007/0049402	A1	3/2007	Sanchez et al.	
2007/0298904	A1	12/2007	Dworzan	
2009/0029800	A1	1/2009	Jones et al.	

* cited by examiner

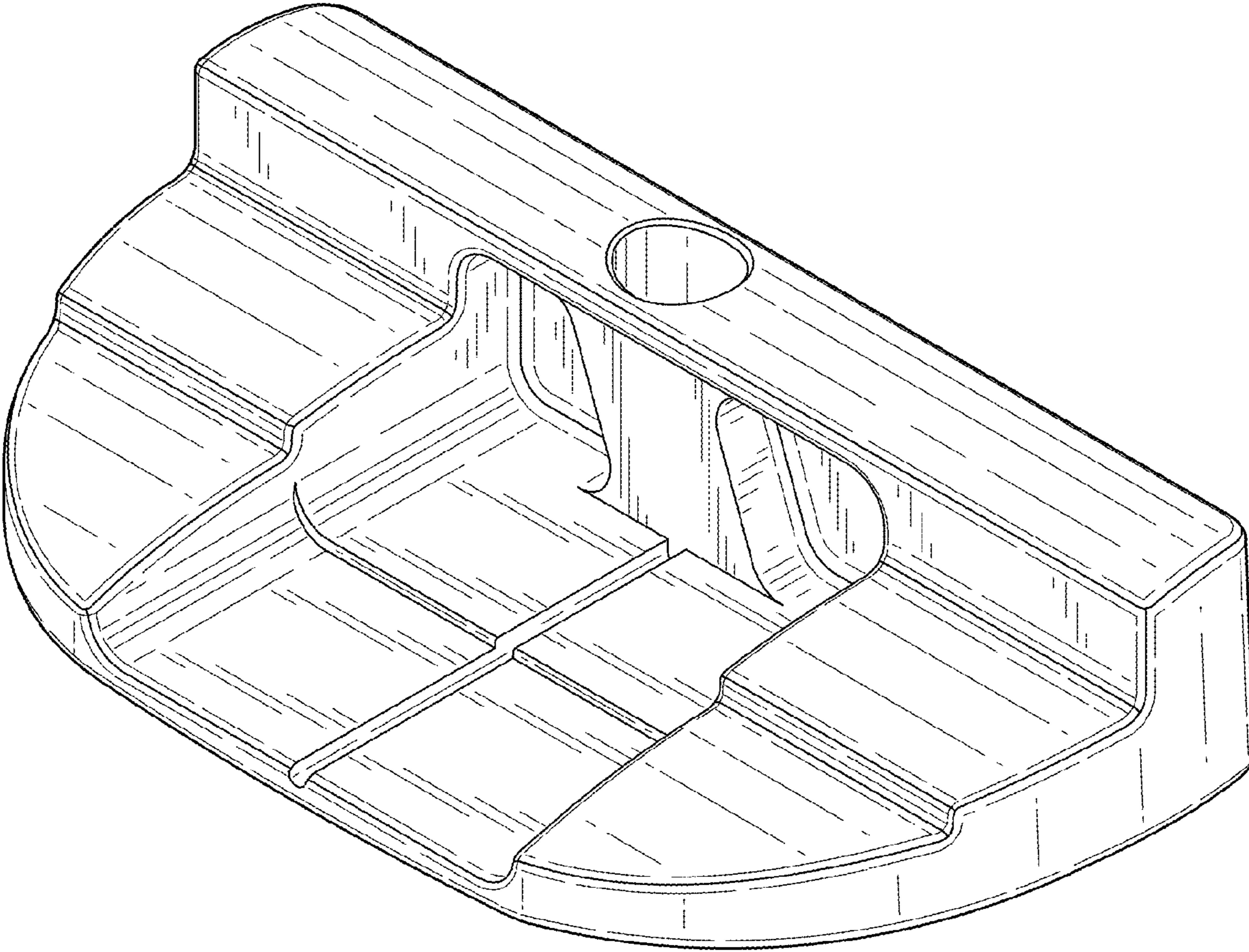


FIG. 1

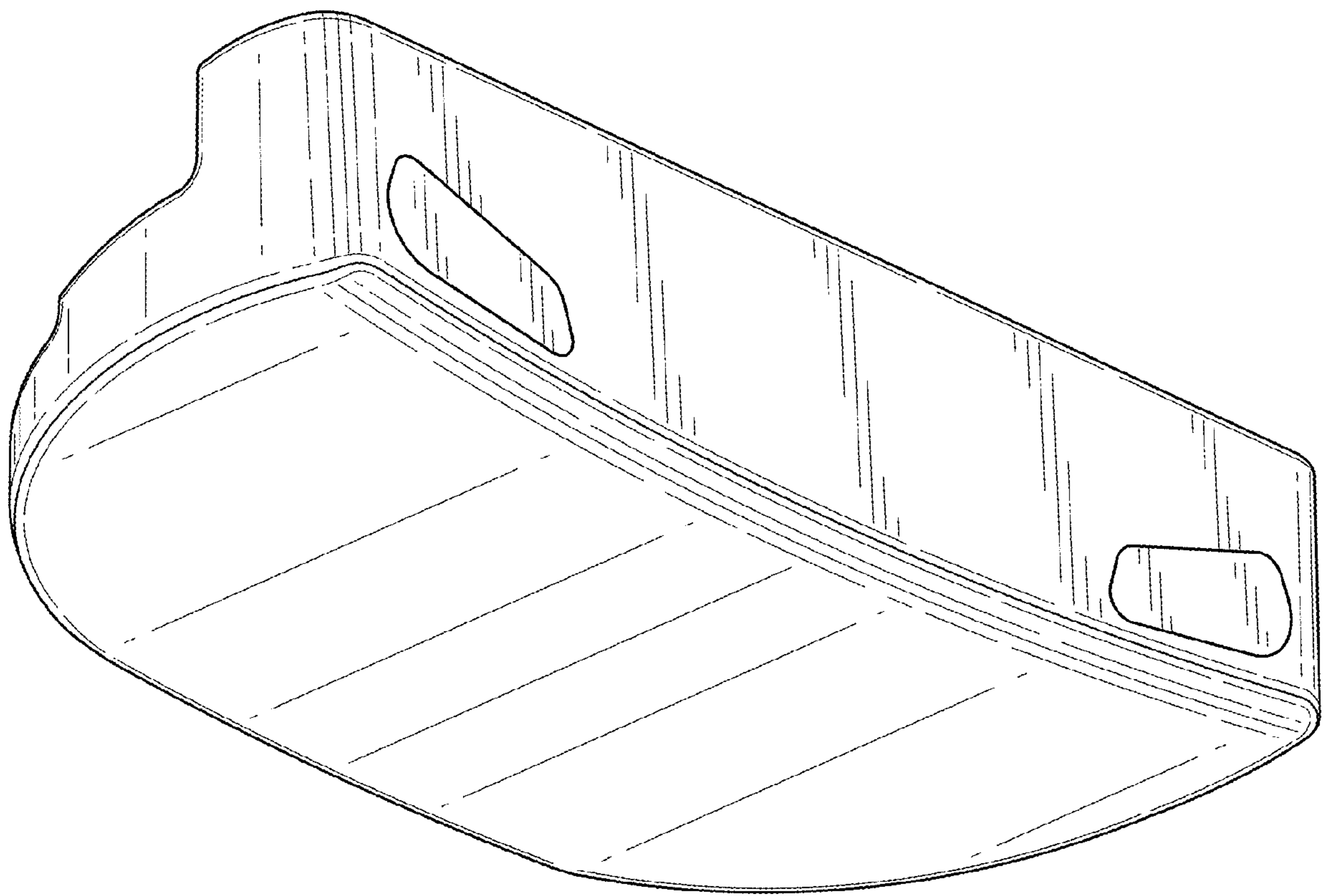


FIG. 2

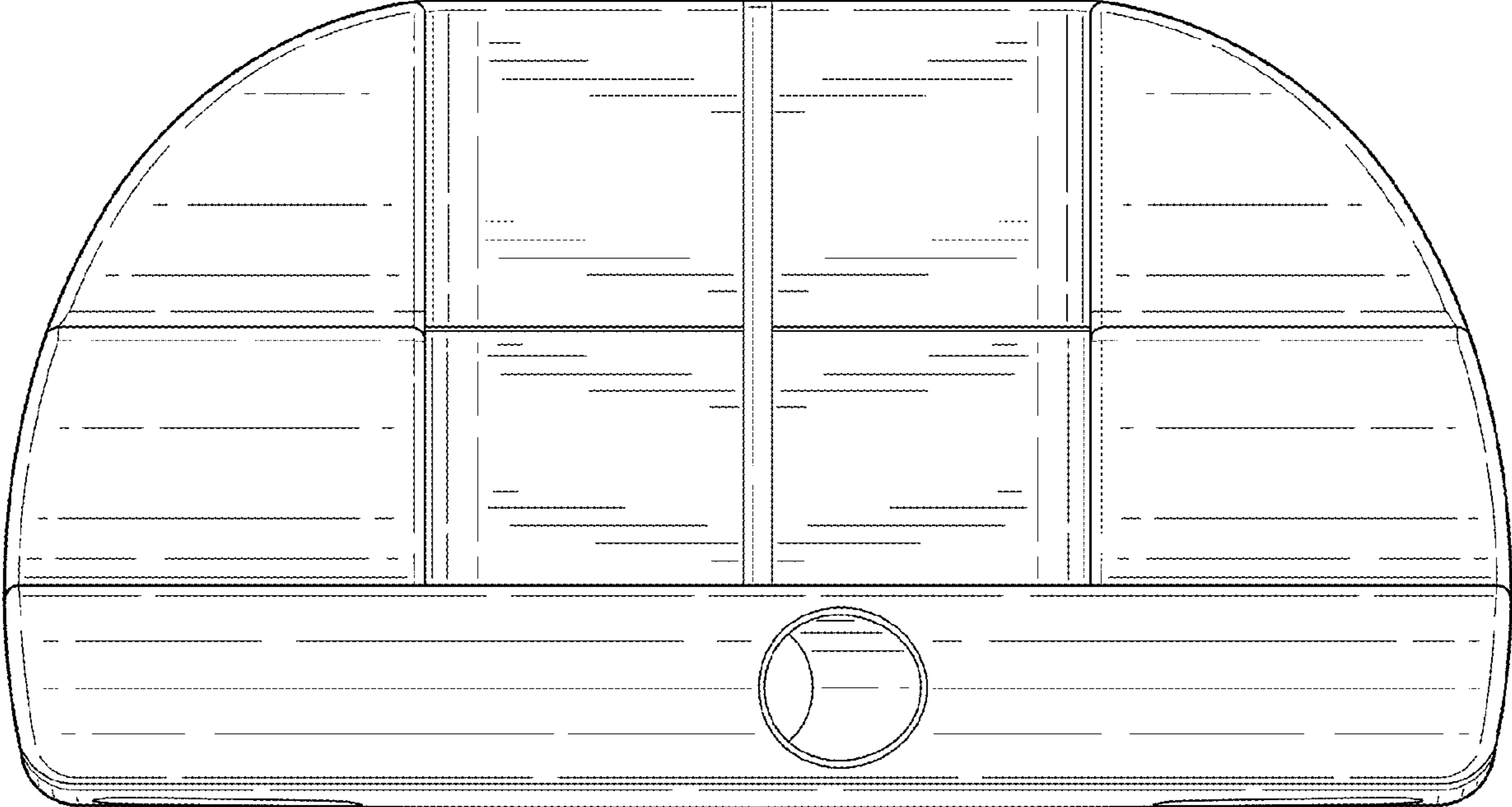


FIG. 3

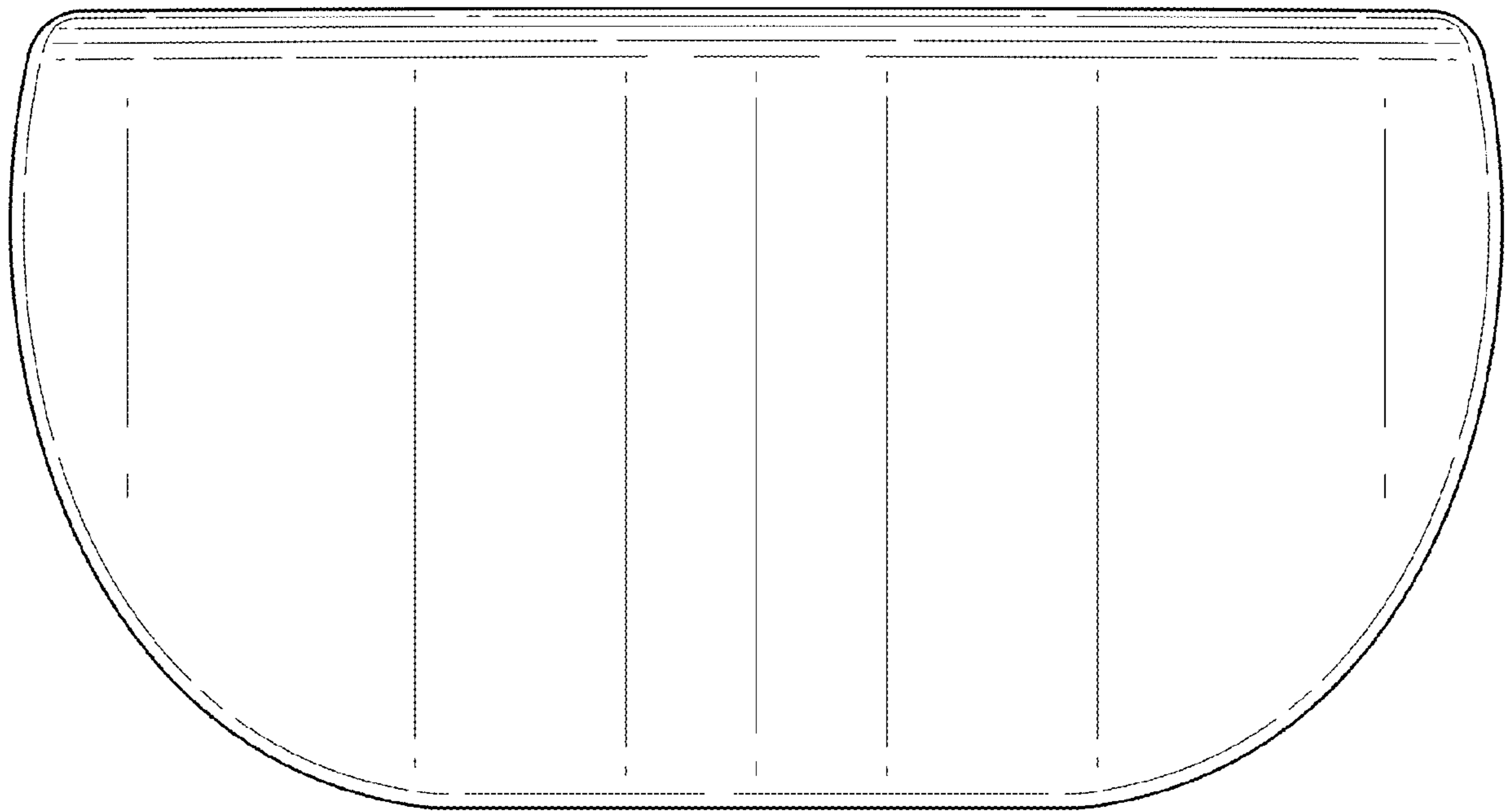


FIG. 4

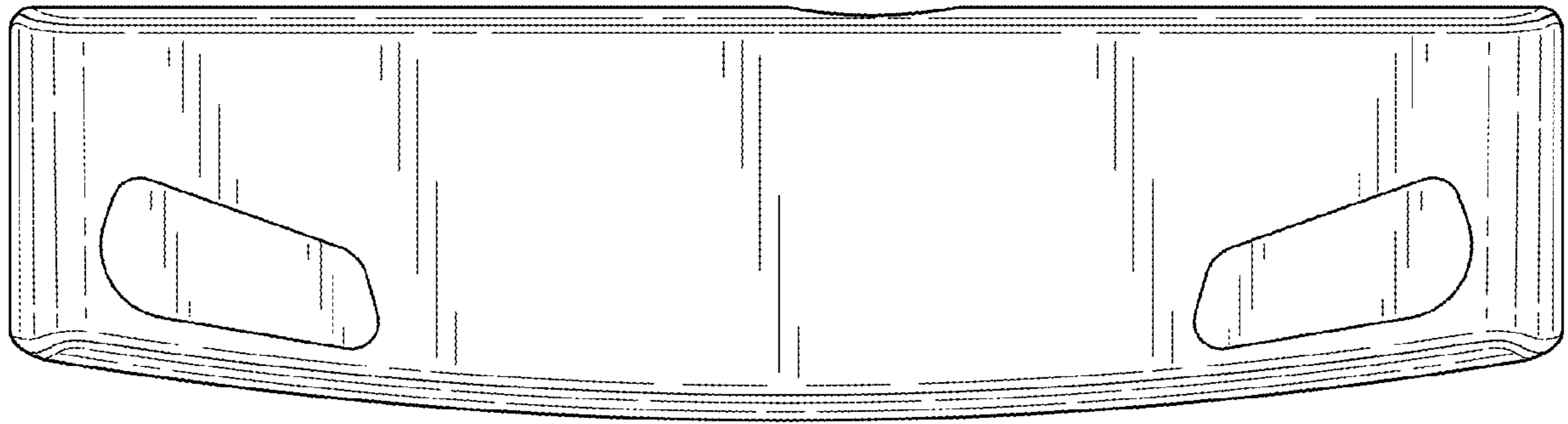


FIG. 5

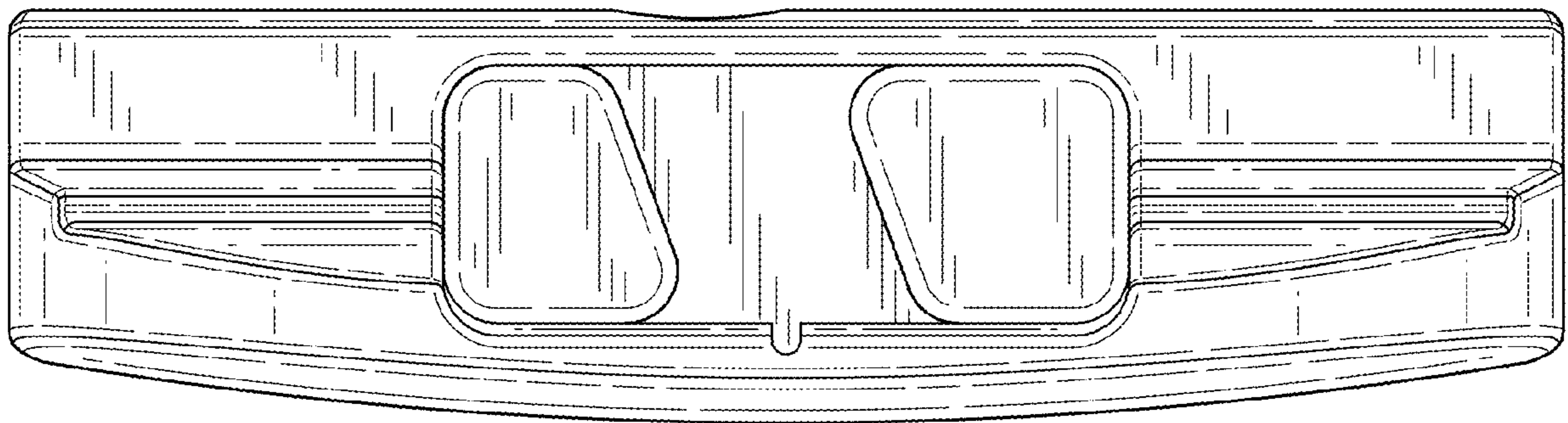


FIG. 6

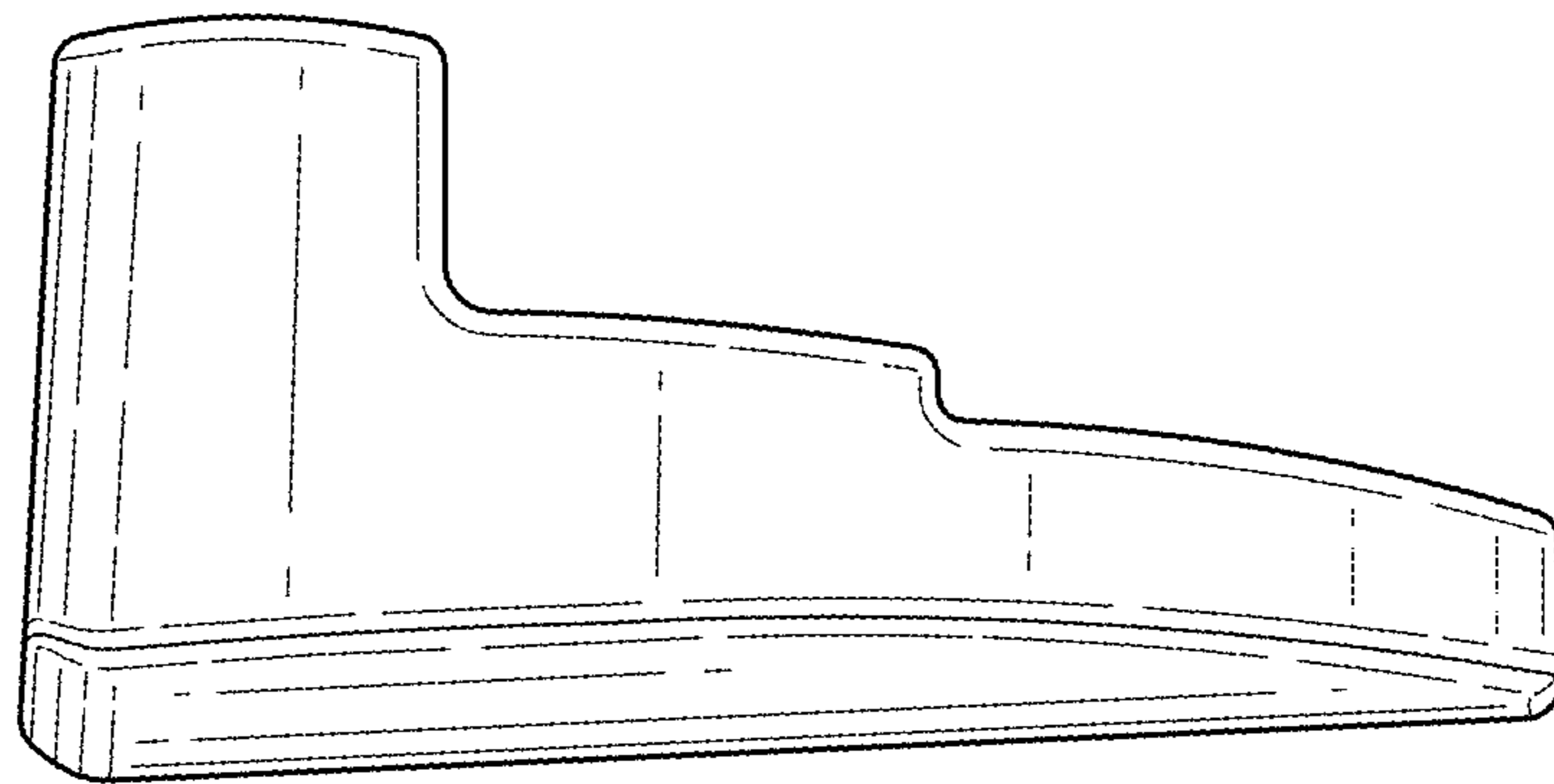


FIG. 7

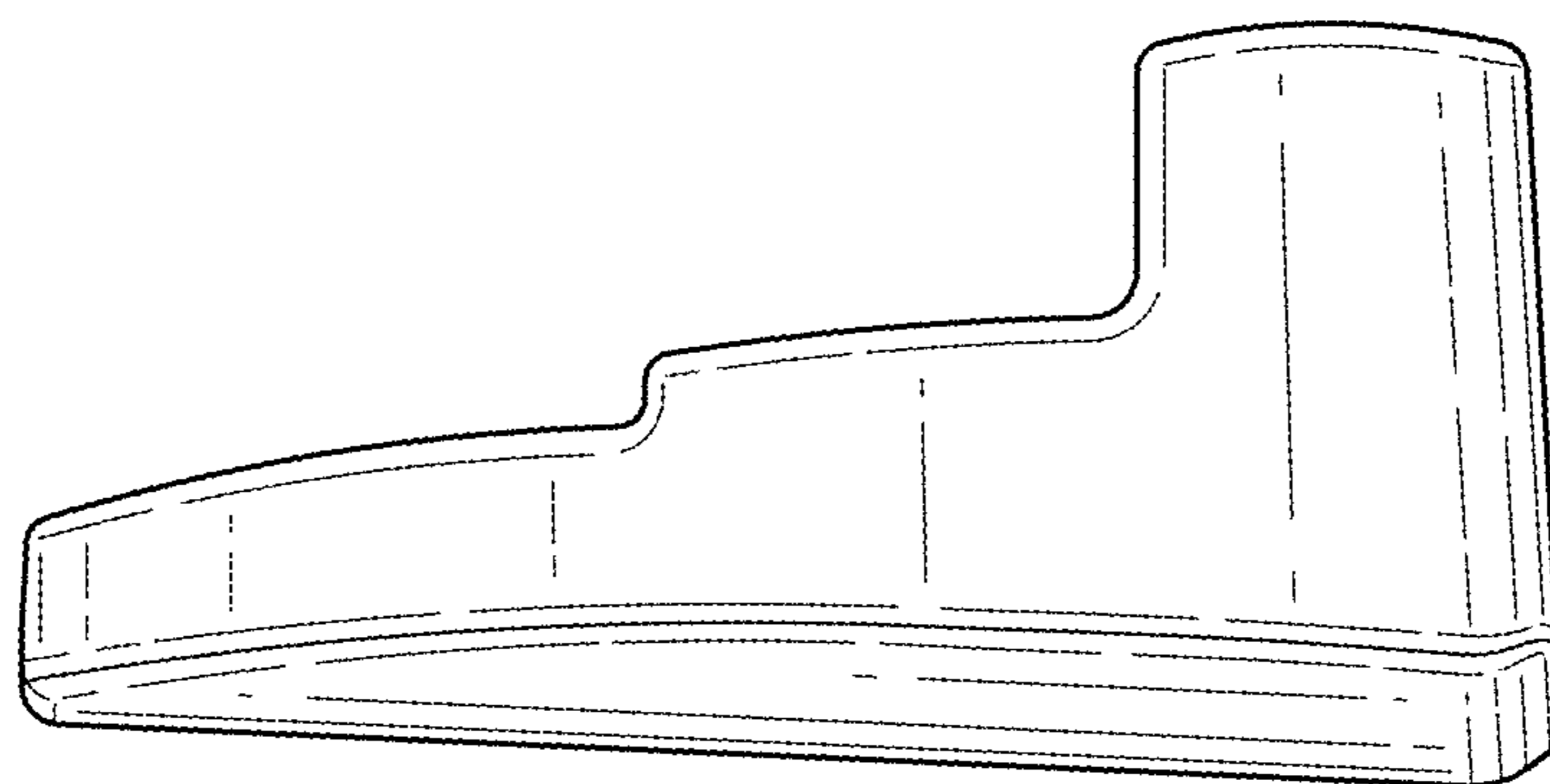


FIG. 8