



US00D986994S

(12) **United States Design Patent** (10) **Patent No.:** **US D986,994 S**  
**Lv** (45) **Date of Patent:** **\*\* May 23, 2023**

(54) **DOUBLE D HANDLE**  
(71) Applicant: **Taiyuan Weisike E-Commerce Co., Ltd.**, Taiyuan (CN)  
(72) Inventor: **Lei Lv**, Taiyuan (CN)  
(73) Assignee: **Taiyuan Weisike E-Commerce Co., Ltd.**, Taiyuan (CN)  
(\*\*) Term: **15 Years**  
(21) Appl. No.: **29/834,948**  
(22) Filed: **Apr. 15, 2022**  
(51) **LOC (14) Cl.** ..... **21-02**  
(52) **U.S. Cl.**  
USPC ..... **D21/692**  
(58) **Field of Classification Search**  
USPC ..... D21/680, 681, 682, 692, 694, 677, 662  
See application file for complete search history.

2002/0123412 A1\* 9/2002 Nguyen ..... A63B 22/001  
482/57  
2007/0238578 A1\* 10/2007 Landfair ..... A63B 21/072  
482/44  
2022/0054883 A1\* 2/2022 Triplett ..... A63B 23/1236

**OTHER PUBLICATIONS**

Luwint, announced 2021 [online], [site visited Aug. 3, 2022]. Available on internet, URL:https://www.amazon.com/Luwint-Rotation-Double-Handle-Attachment/dp/B08T7HDKXQ/ref (Year: 2021).\*

Wnoey, announced 2021 [online], [site visited Aug. 3, 2022]. Available on internet, URL:https://www.amazon.com/Triceps-Attachment-Machine-Accessories-Fitness/dp/B08P993B9K/ref (Year: 2020).\*

\* cited by examiner

*Primary Examiner* — Khawaja Anwar  
*Assistant Examiner* — Julice Seung Eun Oum

(56) **References Cited**

**U.S. PATENT DOCUMENTS**

4,681,315 A \* 7/1987 Yang ..... A63B 21/0726  
482/50  
4,854,573 A \* 8/1989 Johansson ..... F16B 21/088  
482/141  
D315,003 S \* 2/1991 Huang ..... D21/682  
D382,610 S \* 8/1997 Maycock, Jr. .... D21/684  
7,837,598 B1 \* 11/2010 Boozel, Jr. .... A63B 23/03525  
482/38  
9,409,049 B1 \* 8/2016 Brunelo ..... A63B 21/078  
D846,044 S \* 4/2019 Peritz ..... D21/694  
D878,496 S \* 3/2020 Hoppe ..... D21/680  
D890,269 S \* 7/2020 Grant ..... D21/679  
D891,539 S \* 7/2020 Sun ..... D21/681  
D891,543 S \* 7/2020 Mantione, III  
10,864,402 B2 \* 12/2020 Laurence ..... A63B 21/4035  
D921,777 S \* 6/2021 Triplett ..... D21/686

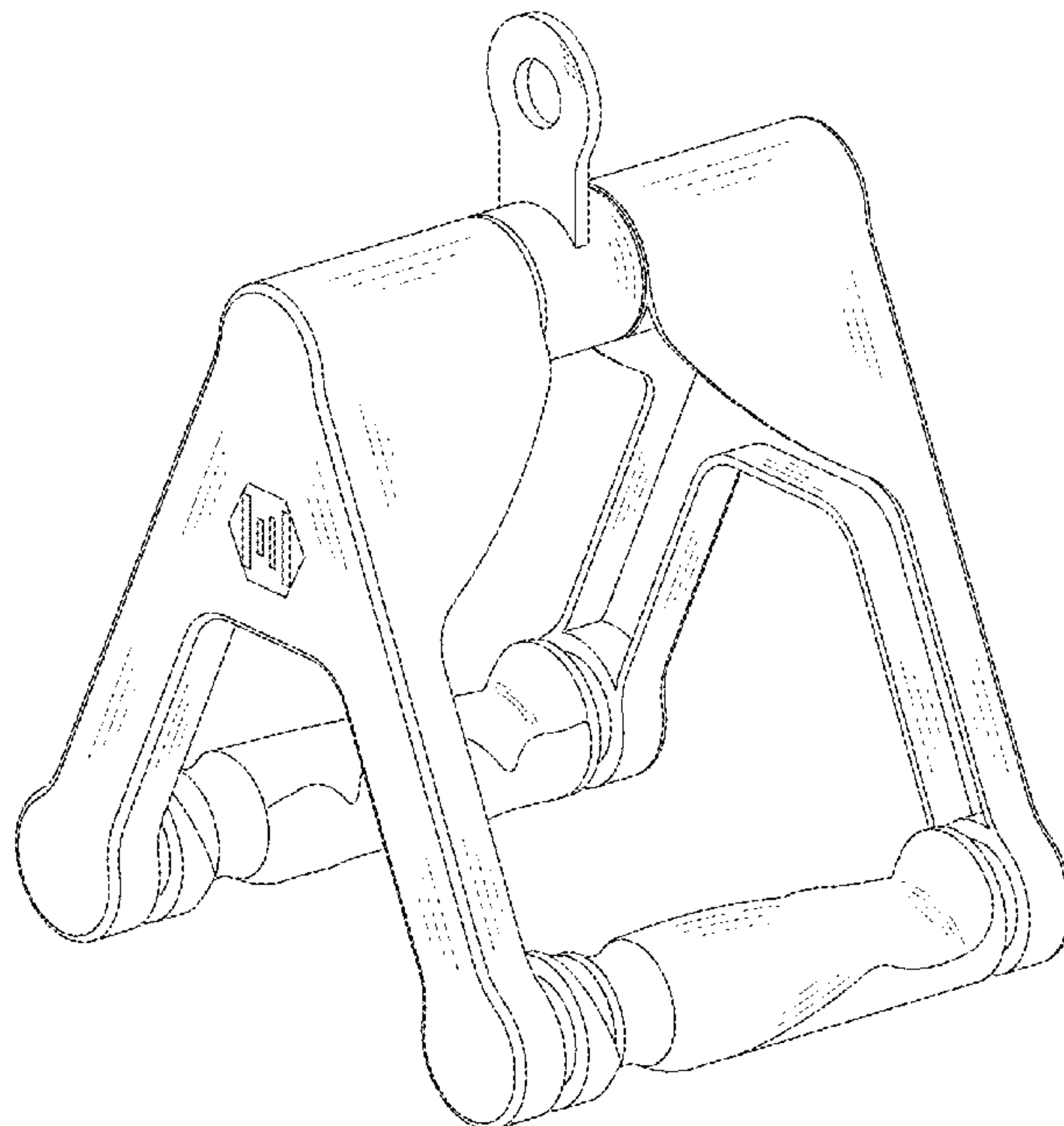
(57) **CLAIM**

The ornamental design for a double D handle, as shown and described.

**DESCRIPTION**

FIG. 1 is a perspective view of a double D handle, showing my new design;  
FIG. 2 is an exploded view thereof;  
FIG. 3 is a front elevation view thereof;  
FIG. 4 is a rear elevation view thereof;  
FIG. 5 is a left side elevation view thereof;  
FIG. 6 is a right side elevation view thereof;  
FIG. 7 is a top plan view thereof; and,  
FIG. 8 is a bottom plan view thereof.

**1 Claim, 8 Drawing Sheets**



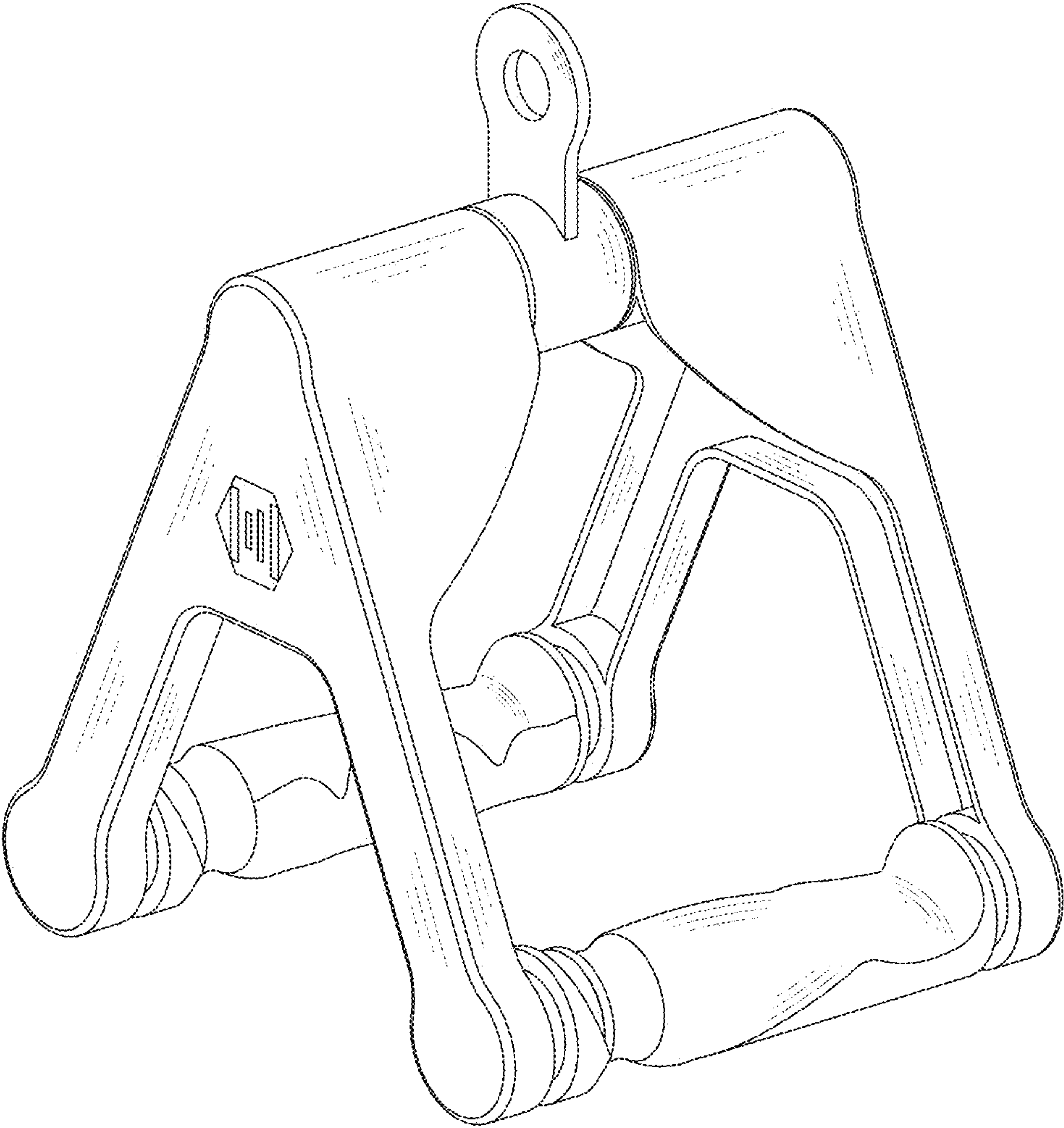


FIG. 1

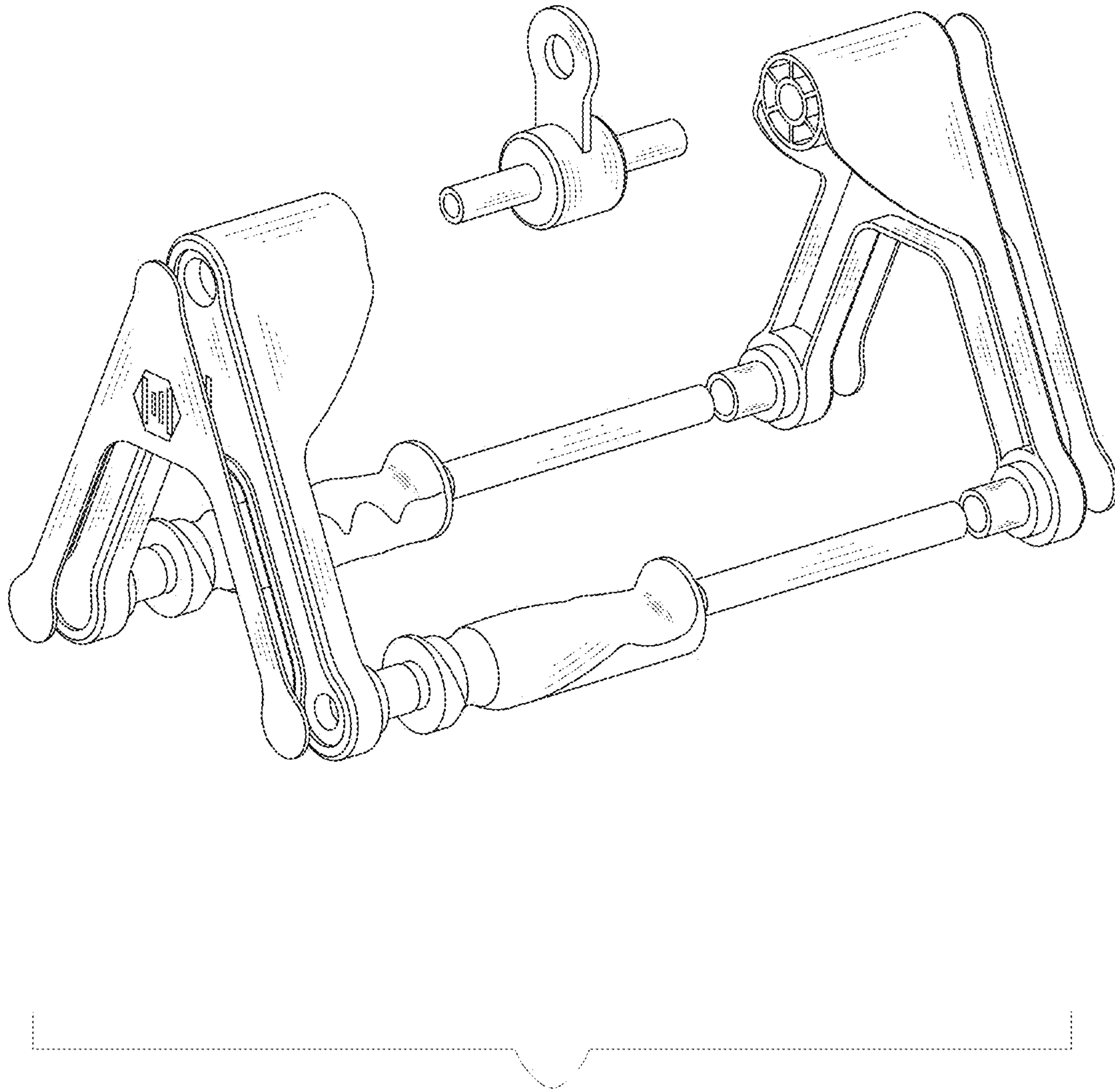


FIG. 2

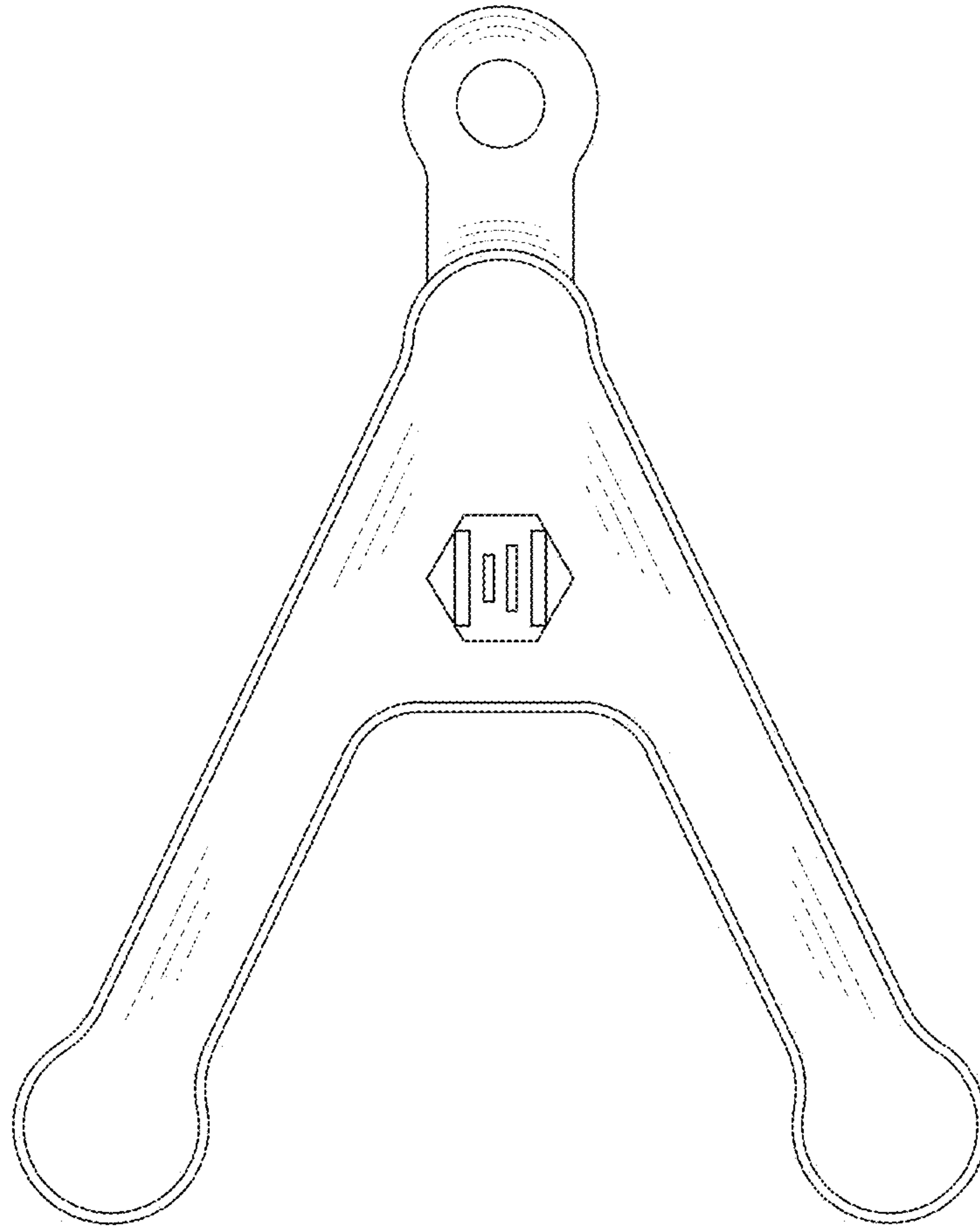


FIG. 3

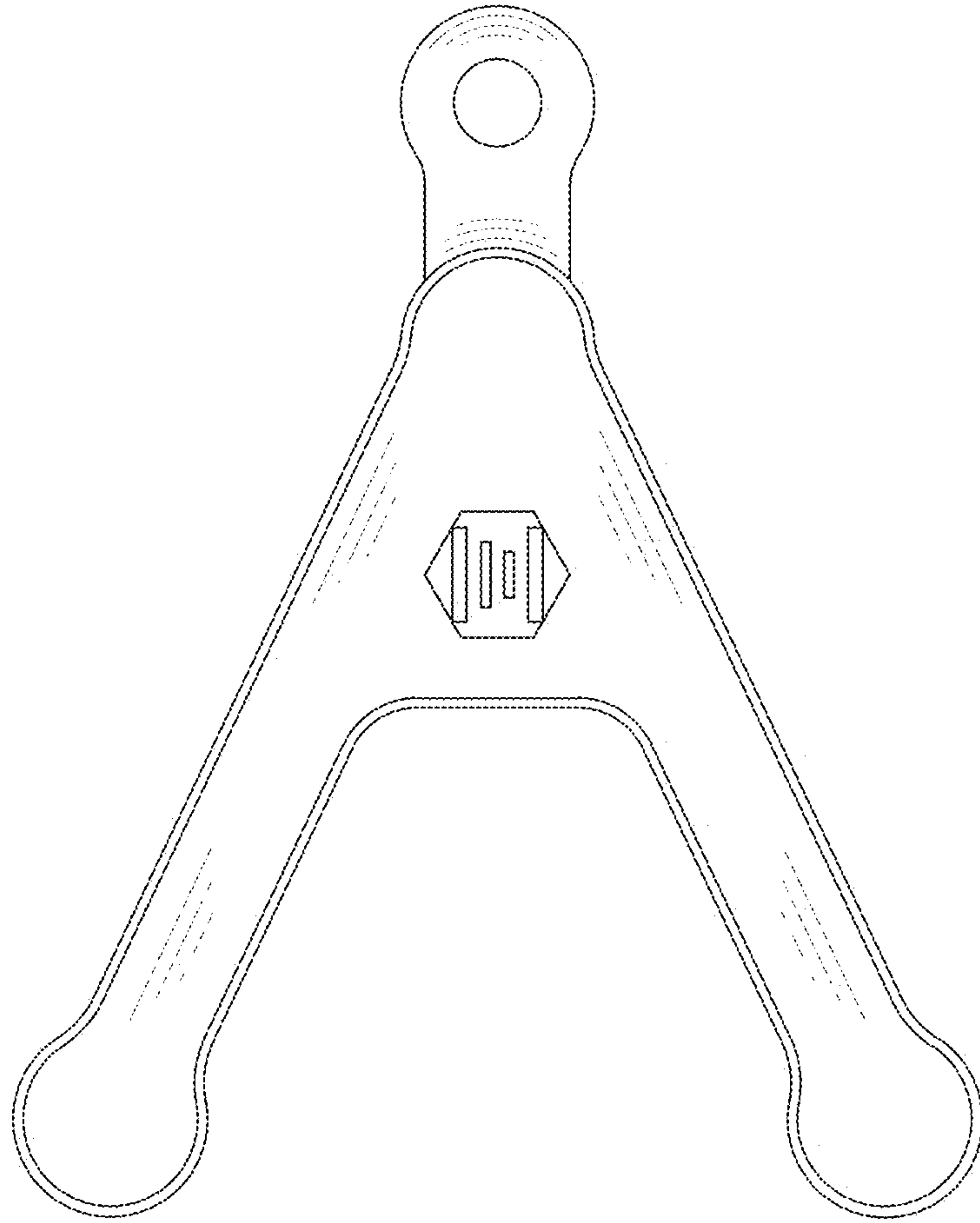


FIG. 4



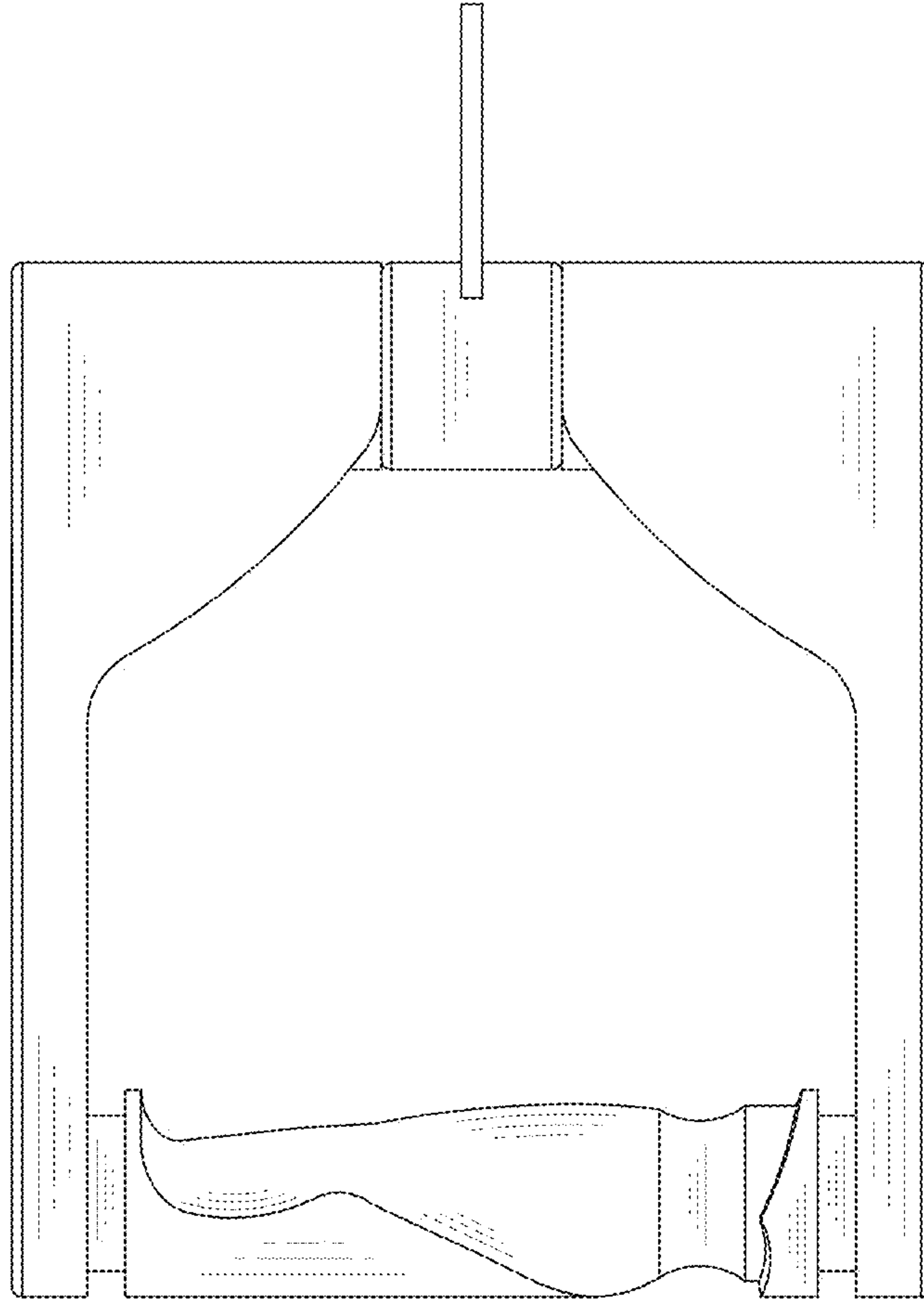


FIG. 5

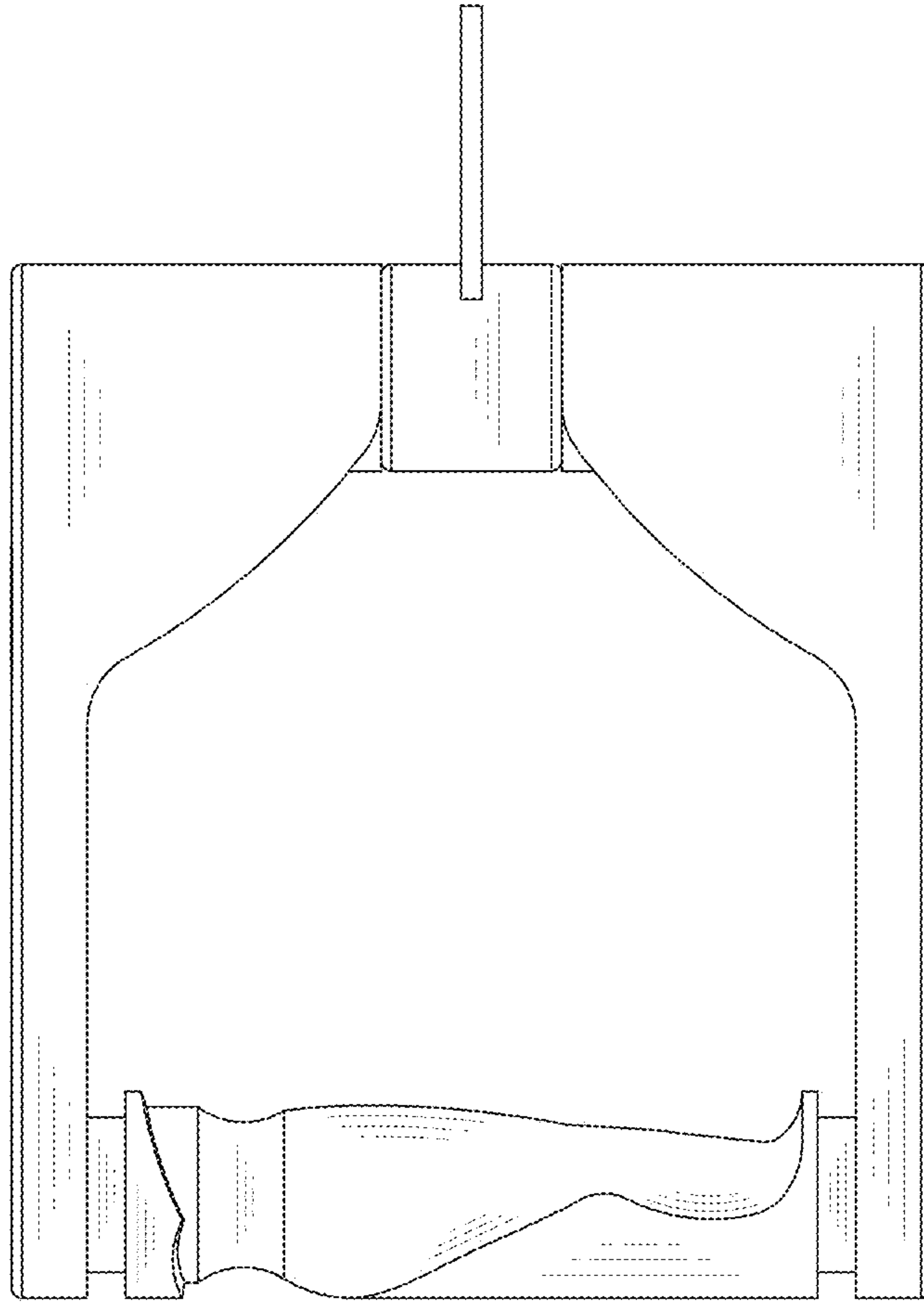


FIG. 6

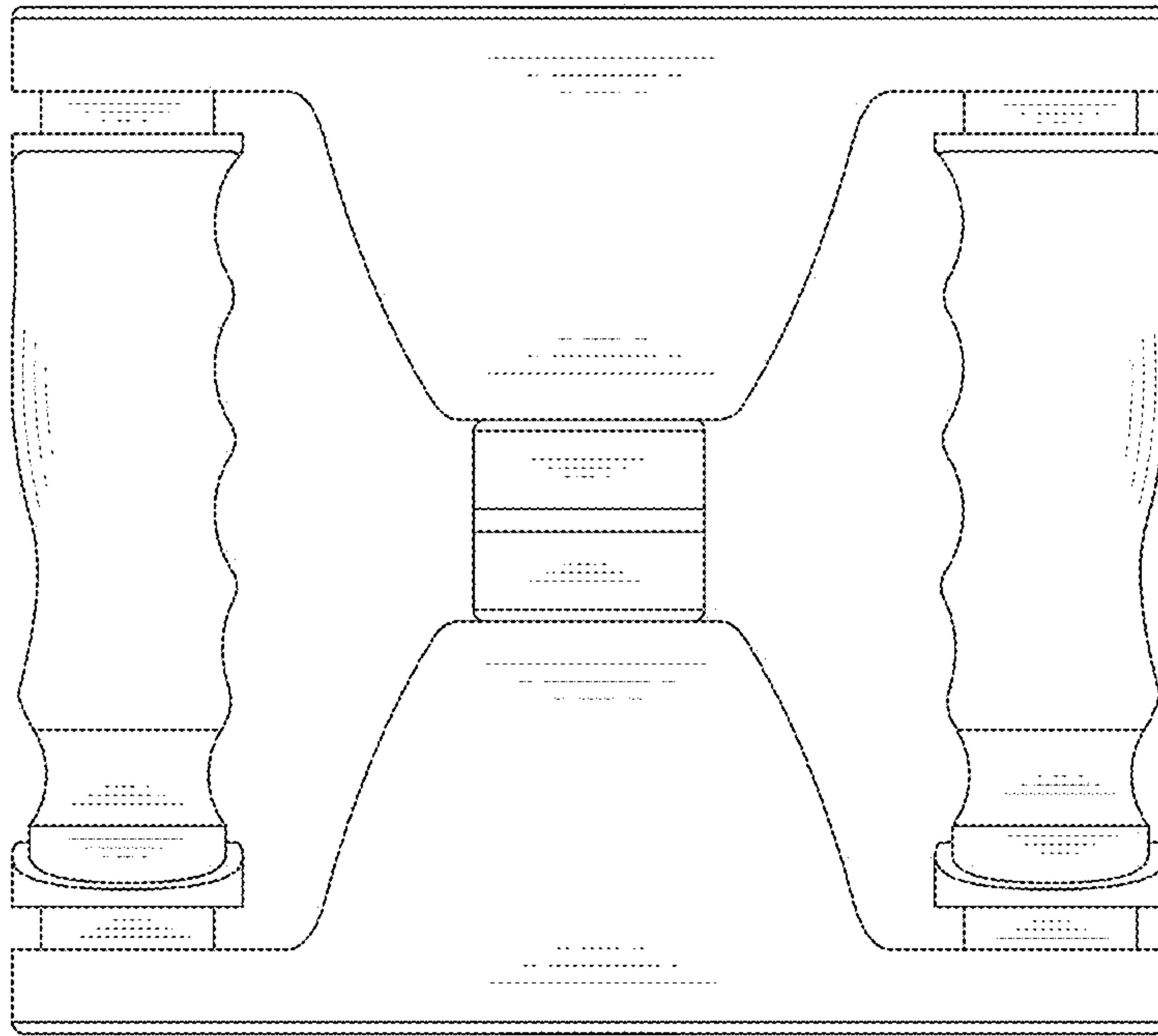


FIG. 7



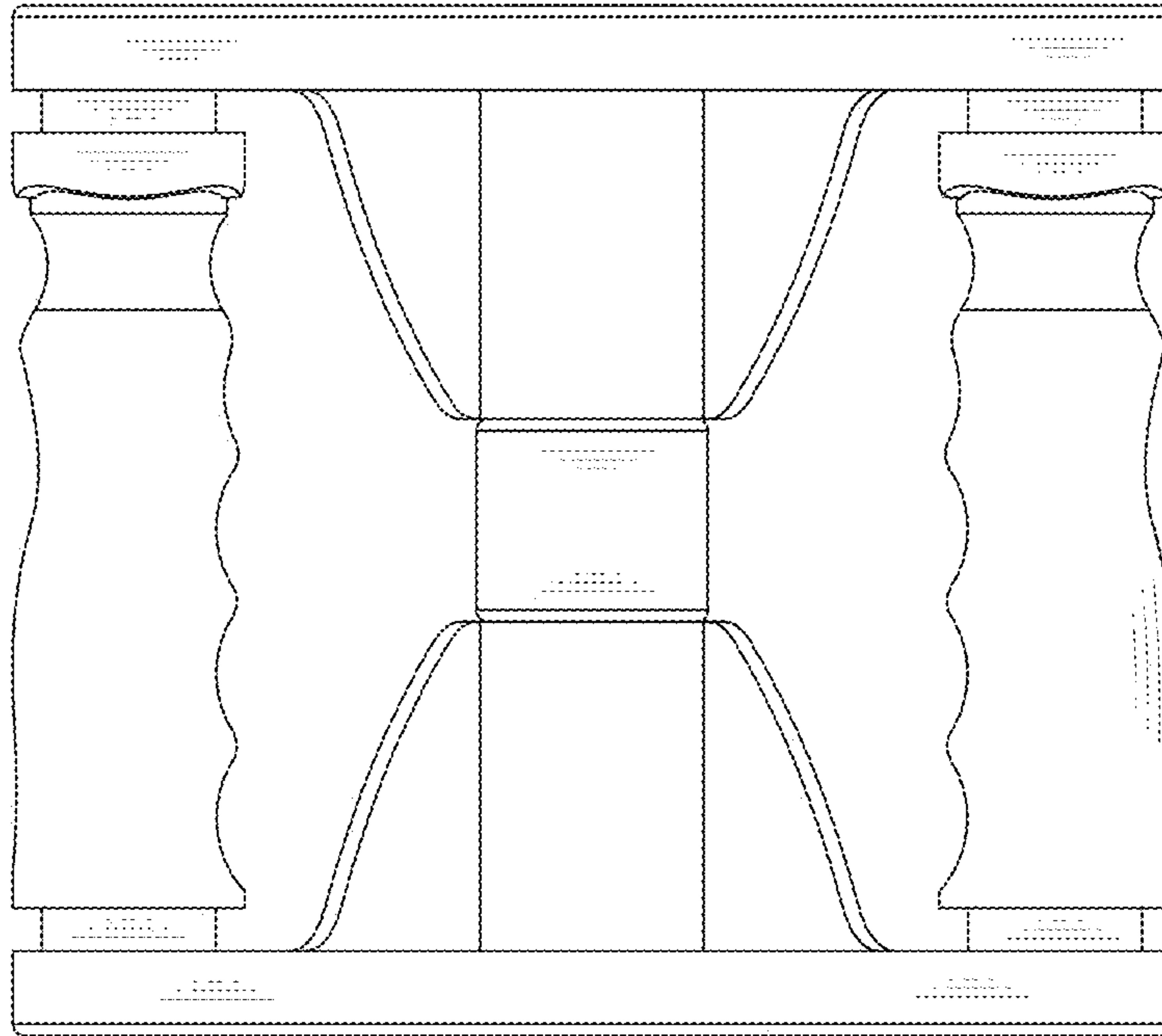


FIG. 8