



US00D986992S

(12) **United States Design Patent**  
**Jiang**

(10) **Patent No.:** **US D986,992 S**

(45) **Date of Patent:** **\*\* May 23, 2023**

- (54) **ROLLER WHEEL**
- (71) Applicant: **Tan Jiang**, Zhejiang (CN)
- (72) Inventor: **Tan Jiang**, Zhejiang (CN)
- (\*) Notice: Patent file contains an affidavit/declaration under 37 CFR 1.130(b).
- (\*\*) Term: **15 Years**
- (21) Appl. No.: **29/847,859**
- (22) Filed: **Jul. 28, 2022**
- (51) **LOC (14) Cl.** ..... **21-02**
- (52) **U.S. Cl.**  
USPC ..... **D21/686**
- (58) **Field of Classification Search**  
USPC ..... D21/662, 686, 687, 688, 689, 694  
CPC . A63B 22/20; A63B 21/0004; A63B 23/0211;  
A63B 21/4035; A63B 2208/0219; A63B  
21/0455; A63B 21/068; A63B 21/153;  
A63B 23/1236; A63B 2208/0214; A63B  
2022/0035; A63B 2023/006; A63B  
21/0428; A63B 22/203; A63B 2208/0295  
See application file for complete search history.

- 4,339,127 A \* 7/1982 Mitchell ..... A63B 22/20  
482/132
  - D306,886 S \* 3/1990 Shiek ..... D21/681
  - D318,219 S 7/1991 Guile
  - 5,707,325 A \* 1/1998 Chiou ..... A63B 22/20  
482/127
  - 6,017,296 A \* 1/2000 Tang ..... A63B 22/20  
482/907
  - D422,038 S \* 3/2000 Iannetta ..... D21/662
  - 6,146,318 A \* 11/2000 Kuo ..... A63B 21/0004  
482/132
  - 6,174,269 B1 \* 1/2001 Eschenbach ..... A63B 22/20  
482/904
  - 6,190,292 B1 \* 2/2001 Panes ..... A63B 21/06  
482/109
  - D442,241 S \* 5/2001 Chang ..... D21/692
- (Continued)

(56) **References Cited**

**U.S. PATENT DOCUMENTS**

- 1,824,920 A \* 9/1931 Novak ..... A63B 22/20  
280/87.01
- 2,920,418 A \* 1/1960 Britt ..... A63B 21/4035  
446/241
- 3,403,906 A \* 10/1968 Burzenski ..... A63B 23/0211  
482/108
- 3,616,794 A \* 11/1971 Gromala ..... A61H 15/0092  
601/120
- D224,935 S \* 10/1972 Winger ..... D21/662
- 3,752,475 A \* 8/1973 Ott ..... A63B 21/0004  
482/127
- 4,136,867 A \* 1/1979 Wilkin ..... A63B 22/20  
601/46

**OTHER PUBLICATIONS**

EnterSports by EnterSports Store dated Jul. 9, 2019. Found online [Dec. 21, 2022] <https://tinyurl.com/ypbaf7bu> (Year: 2019).\*

*Primary Examiner* — Ryan Harvey

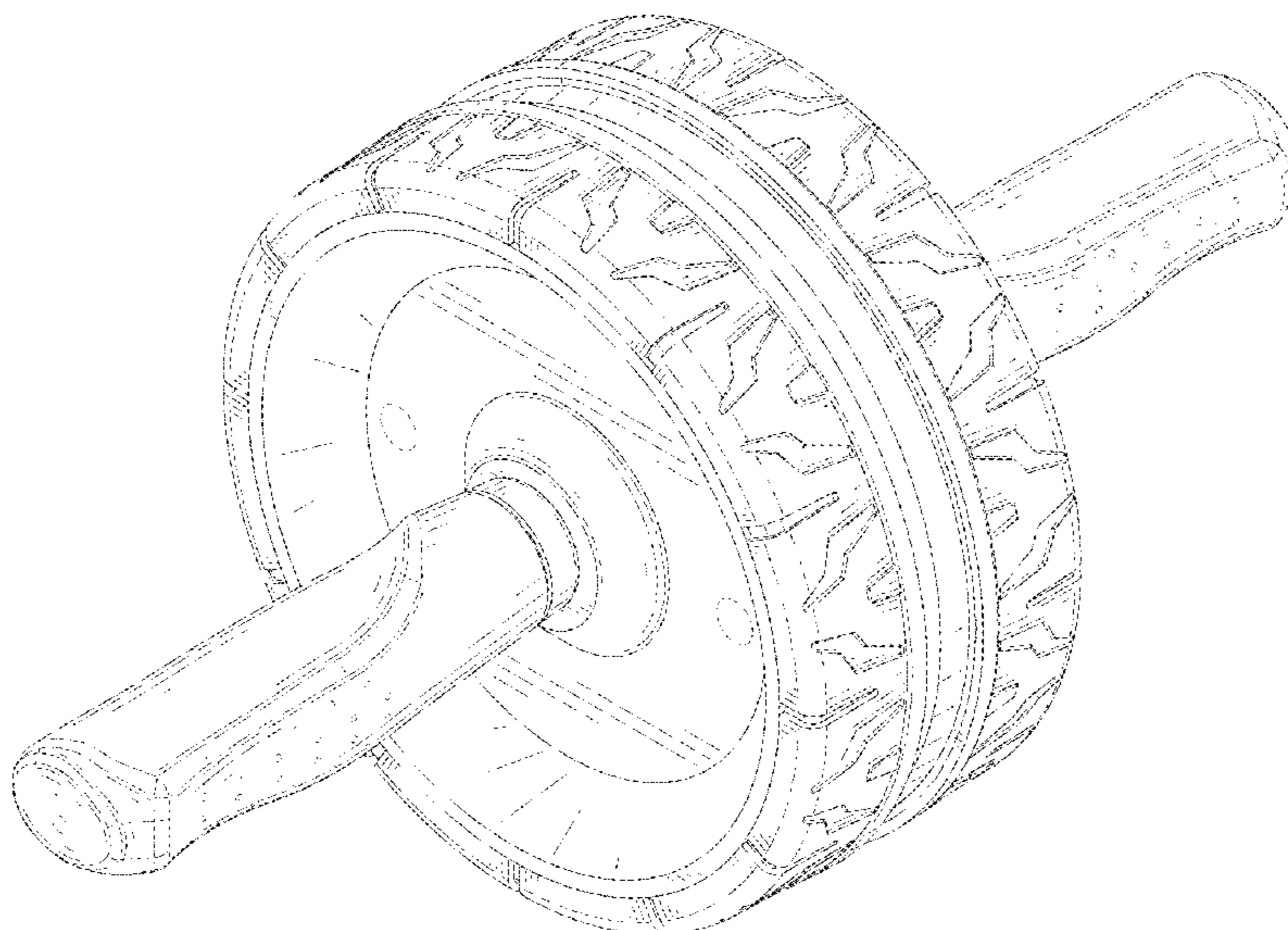
(57) **CLAIM**

The ornamental design for a roller wheel, as shown and described.

**DESCRIPTION**

FIG. 1 is a front and top perspective view of a roller wheel, showing my new design;  
FIG. 2 is a rear and bottom perspective view thereof;  
FIG. 3 is a front elevation view thereof;  
FIG. 4 is a rear elevation view thereof;  
FIG. 5 is a left side elevation view thereof;  
FIG. 6 is a right side elevation view thereof;  
FIG. 7 is a top plan view thereof; and,  
FIG. 8 is a bottom plan view thereof.  
The broken lines in the figures illustrate portions of the roller wheel that form no part of the claimed design.

**1 Claim, 8 Drawing Sheets**



(56)

References Cited

U.S. PATENT DOCUMENTS

D445,852 S \* 7/2001 Mishan ..... D21/662  
 6,264,587 B1 \* 7/2001 Lee ..... A63B 22/20  
 6,328,680 B1 \* 12/2001 Shifferaw ..... A63B 21/0618  
 6,338,703 B1 \* 1/2002 Yu ..... A63B 21/0552  
 D453,363 S \* 2/2002 Zhang ..... D21/662  
 6,348,027 B1 \* 2/2002 Lee ..... A63B 21/0455  
 D454,929 S \* 3/2002 Huang ..... D21/662  
 D456,051 S \* 4/2002 Mitchell ..... D21/400  
 6,409,639 B1 \* 6/2002 Kuo ..... A63B 21/153  
 6,544,153 B2 \* 4/2003 Lee ..... A63B 21/025  
 6,575,883 B1 \* 6/2003 Hinds ..... A63B 21/4015  
 D527,775 S \* 9/2006 Akerstein ..... D21/662  
 7,175,573 B1 \* 2/2007 Huang ..... A63B 21/0004  
 7,837,603 B1 \* 11/2010 Carnell, Sr. .... A63B 21/0004  
 7,951,052 B1 \* 5/2011 Tang ..... A63B 22/20  
 D654,970 S \* 2/2012 Daves ..... D21/662  
 D666,255 S \* 8/2012 Babchinetskaya ..... D21/662  
 D669,141 S \* 10/2012 MacColl ..... D21/662  
 D671,176 S \* 11/2012 Ho ..... D21/662  
 D679,347 S \* 4/2013 Frederick ..... D21/662  
 D679,348 S \* 4/2013 Frederick ..... D21/662  
 D688,337 S \* 8/2013 Huang ..... D21/662  
 8,550,965 B2 \* 10/2013 Candela ..... A63B 23/0211  
 D697,148 S \* 1/2014 Lin ..... D21/681  
 D731,009 S \* 6/2015 Preston ..... D21/681  
 D745,614 S \* 12/2015 Ho ..... D21/662  
 D754,868 S \* 4/2016 Hendrickson ..... D24/211  
 D794,725 S \* 8/2017 Lamothe ..... D21/679  
 D815,217 S \* 4/2018 Miller ..... D21/662  
 D816,783 S \* 5/2018 Miller ..... D21/686  
 D818,544 S \* 5/2018 Miller ..... D21/662  
 10,004,942 B1 \* 6/2018 Huang ..... A63B 22/20  
 10,046,198 B1 \* 8/2018 Huang ..... A63B 21/4043  
 D827,738 S \* 9/2018 Miller ..... D21/688

D851,271 S \* 6/2019 Burson ..... A61H 15/0092  
 10,315,074 B2 \* 6/2019 Poeschl ..... A63B 26/00  
 D852,903 S \* 7/2019 Chuang ..... D21/662  
 D861,808 S \* 10/2019 Shi ..... D21/688  
 10,549,150 B2 \* 2/2020 Chen ..... A63B 21/025  
 D877,822 S \* 3/2020 Ross ..... D21/678  
 D890,866 S \* 7/2020 Religa ..... D24/211  
 11,033,768 B2 \* 6/2021 Chuang ..... A63B 21/4035  
 D942,564 S \* 2/2022 Huang ..... D21/688  
 D949,252 S \* 4/2022 Chen ..... D21/662  
 D951,376 S \* 5/2022 Li ..... D21/686  
 D952,071 S \* 5/2022 Li ..... D21/686  
 D952,172 S \* 5/2022 Scicluna ..... D24/211  
 D954,866 S \* 6/2022 Pan ..... D21/686  
 D969,935 S \* 11/2022 Liu ..... D21/662  
 D970,655 S \* 11/2022 Jones ..... D21/686  
 2002/0123416 A1 \* 9/2002 Huang ..... A63B 22/20  
 2003/0022770 A1 \* 1/2003 Lee ..... A63B 22/20  
 2011/0183824 A1 \* 7/2011 Yang ..... A63B 21/4019  
 2012/0157274 A1 \* 6/2012 MacColl ..... A63B 21/00185  
 2012/0172184 A1 \* 7/2012 Wang ..... A63B 21/0552  
 2012/0264578 A1 \* 10/2012 Frederick ..... A63B 22/20  
 2013/0017936 A1 \* 1/2013 Olson ..... A63B 21/4049  
 2013/0065741 A1 \* 3/2013 Ho ..... A63B 21/023  
 2013/0281270 A1 \* 10/2013 Chen ..... A63B 23/0211  
 2014/0135188 A1 \* 5/2014 Huang ..... A63B 22/20  
 2015/0328491 A1 \* 11/2015 Miller ..... A63B 21/4025  
 2016/0045782 A1 \* 2/2016 Wong ..... A63B 23/03516  
 2016/0101314 A1 \* 4/2016 Exley ..... A63B 23/0211  
 2017/0080271 A1 \* 3/2017 Miller ..... A63B 21/00043  
 2019/0336387 A1 \* 11/2019 Daley ..... A63B 23/1281  
 2020/0023233 A1 \* 1/2020 Skaroupka ..... A63B 21/00185

\* cited by examiner

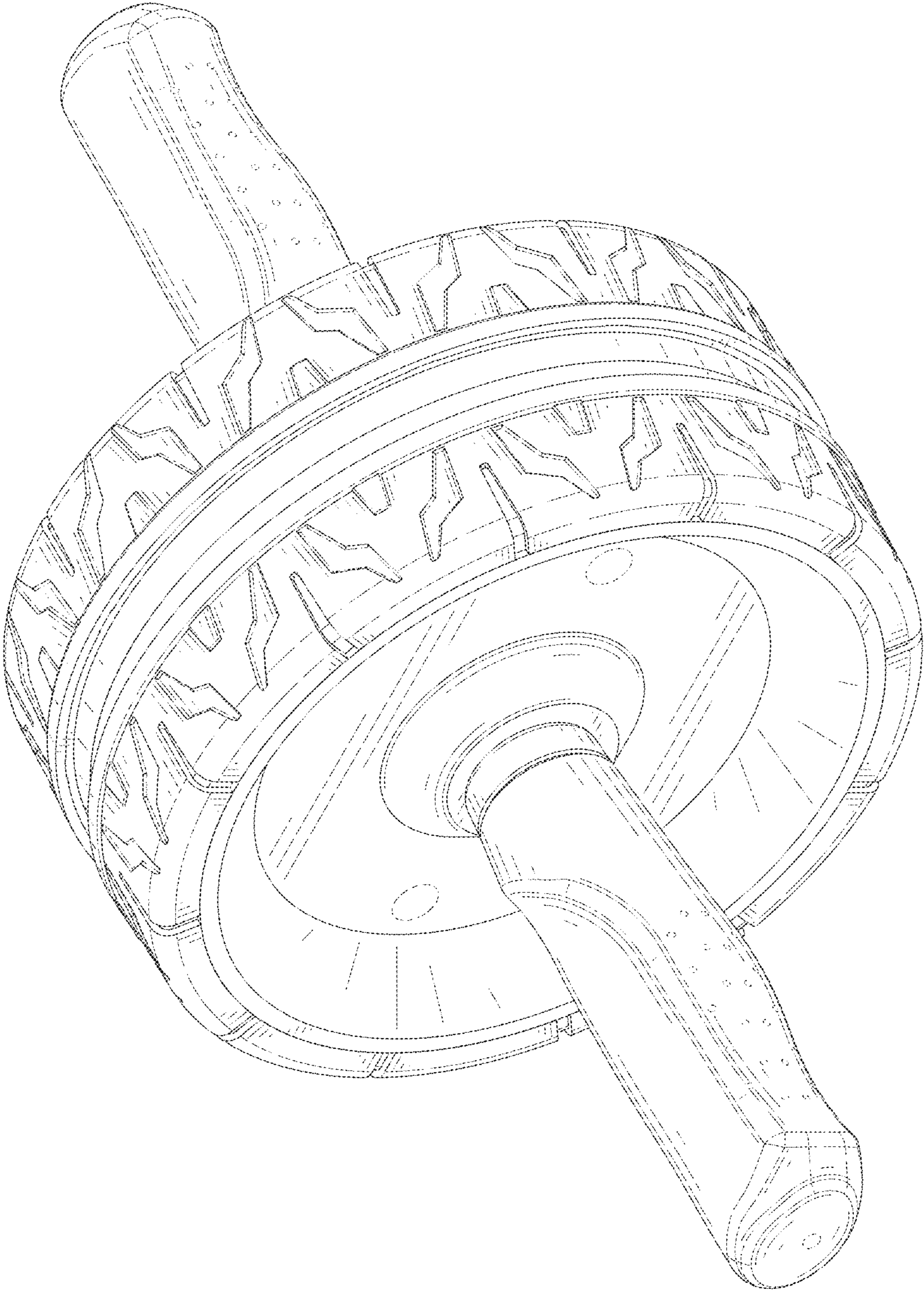


FIG. 1

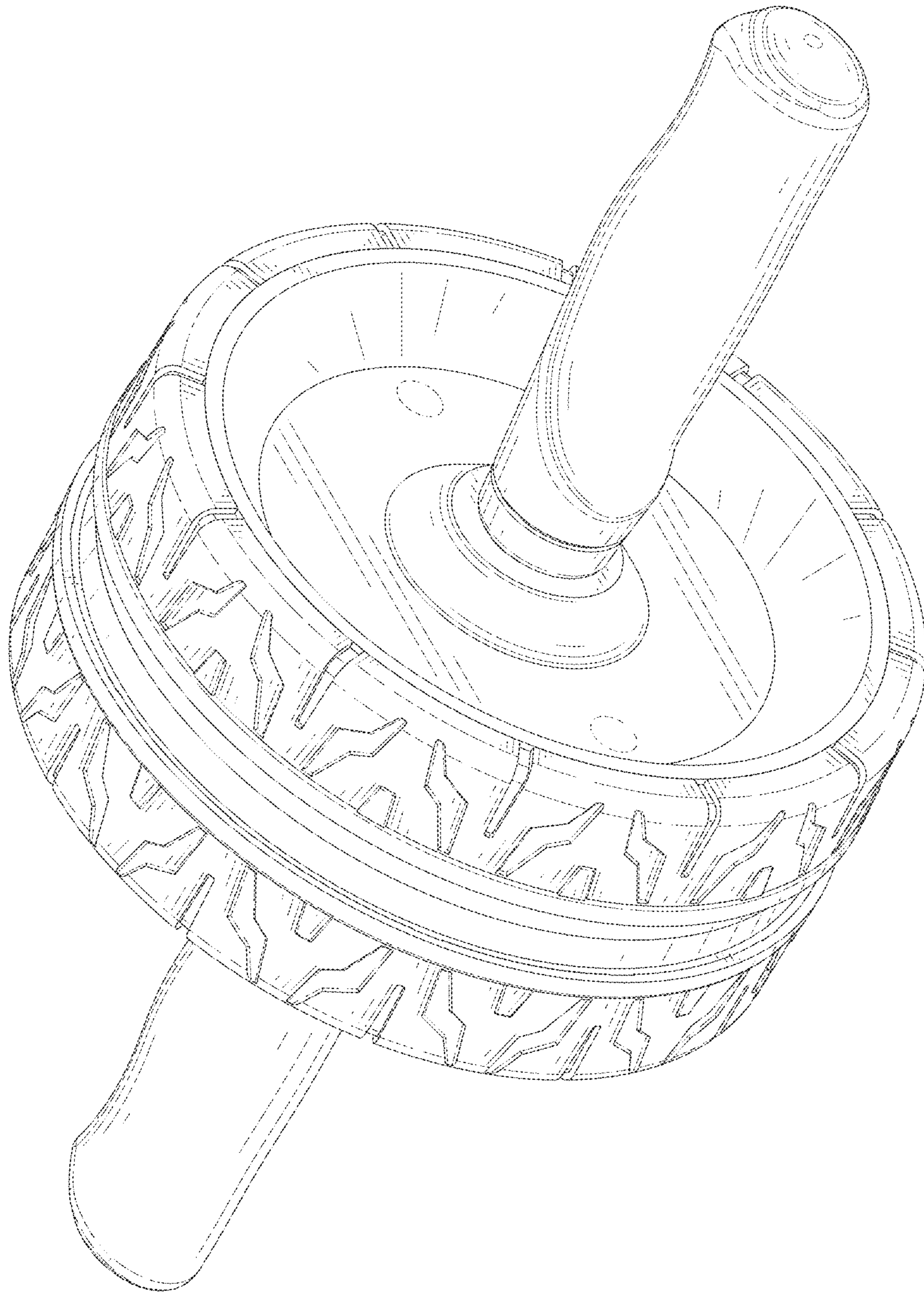


FIG. 2

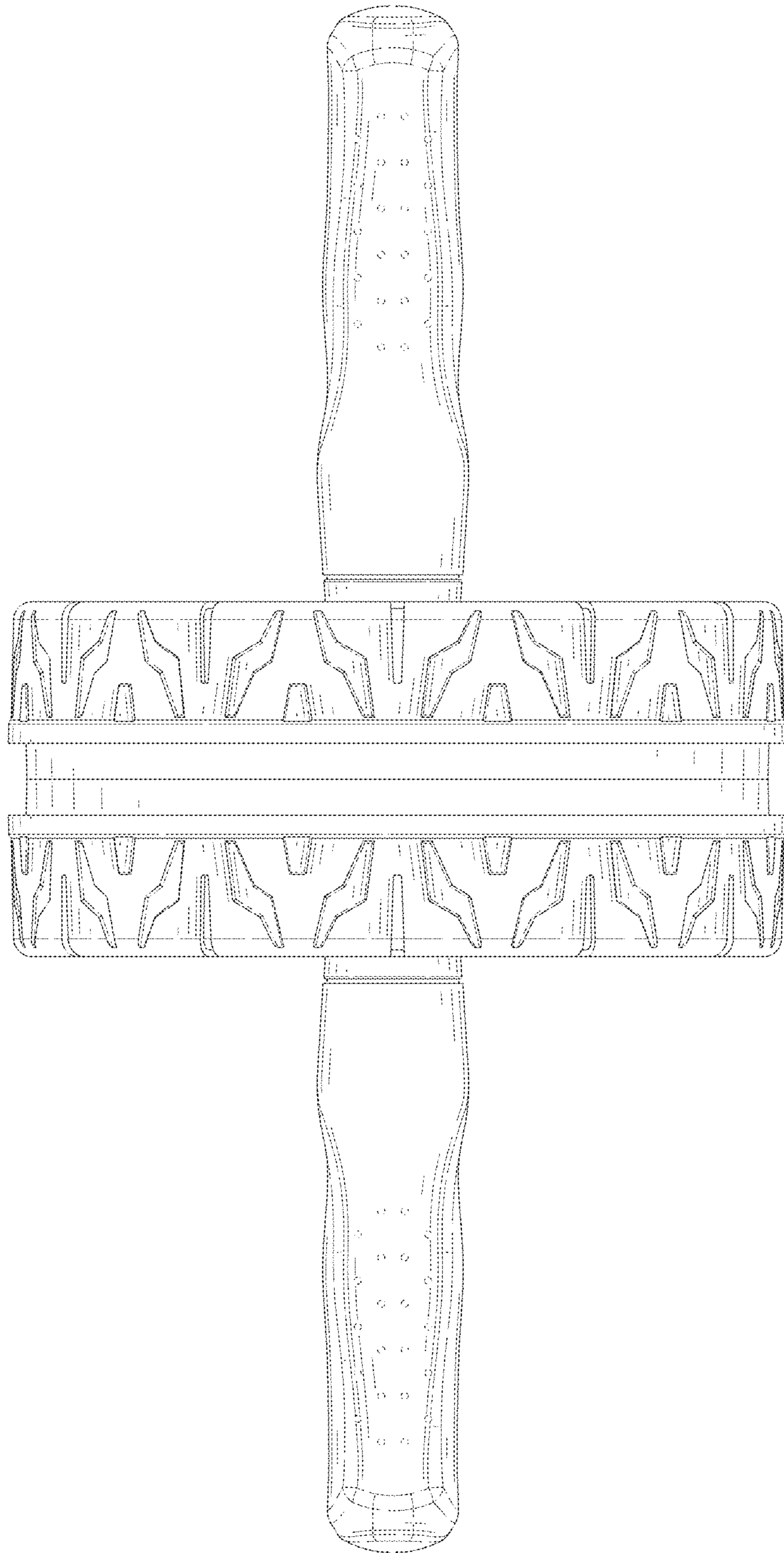


FIG. 3

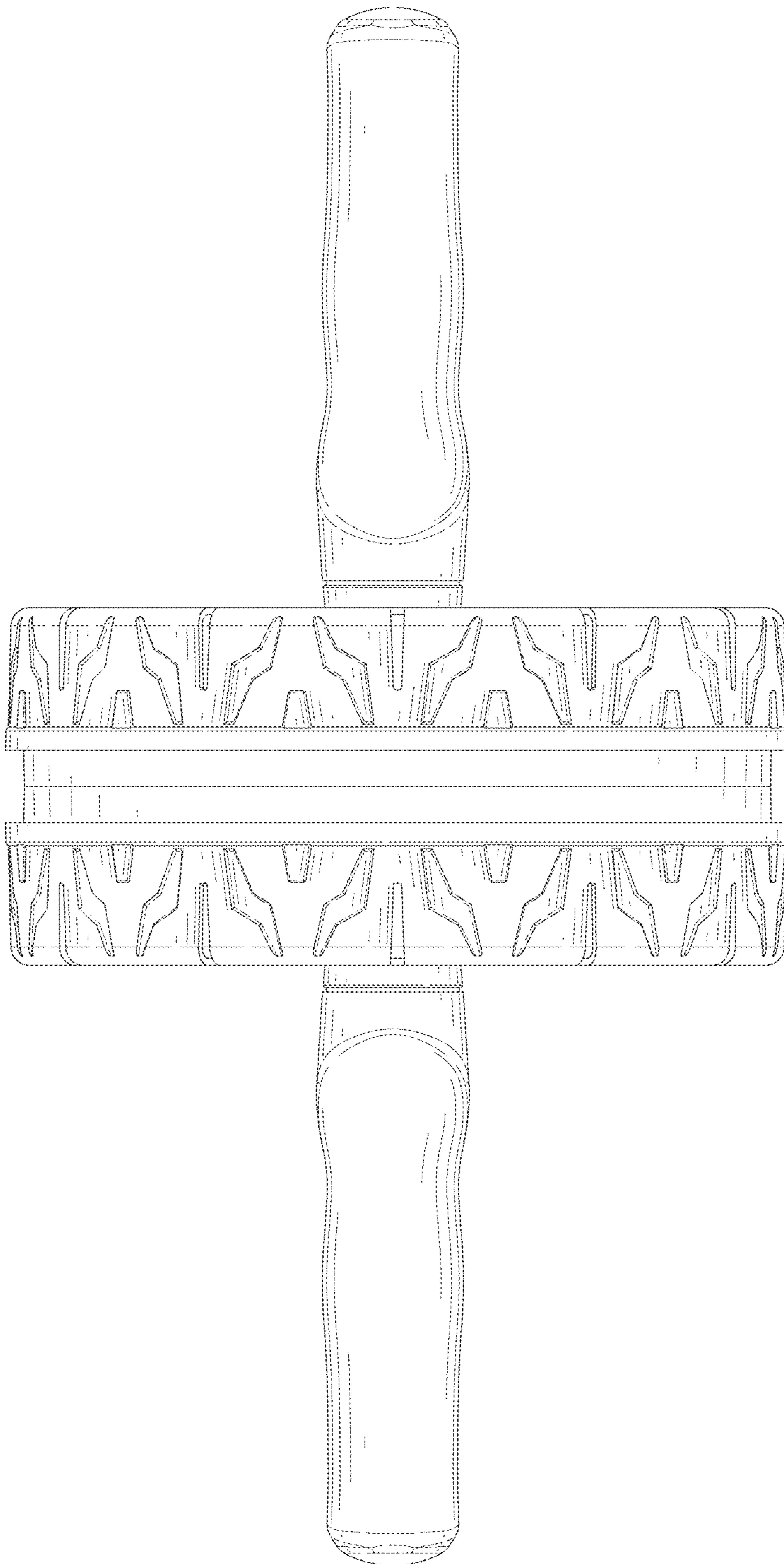


FIG. 4

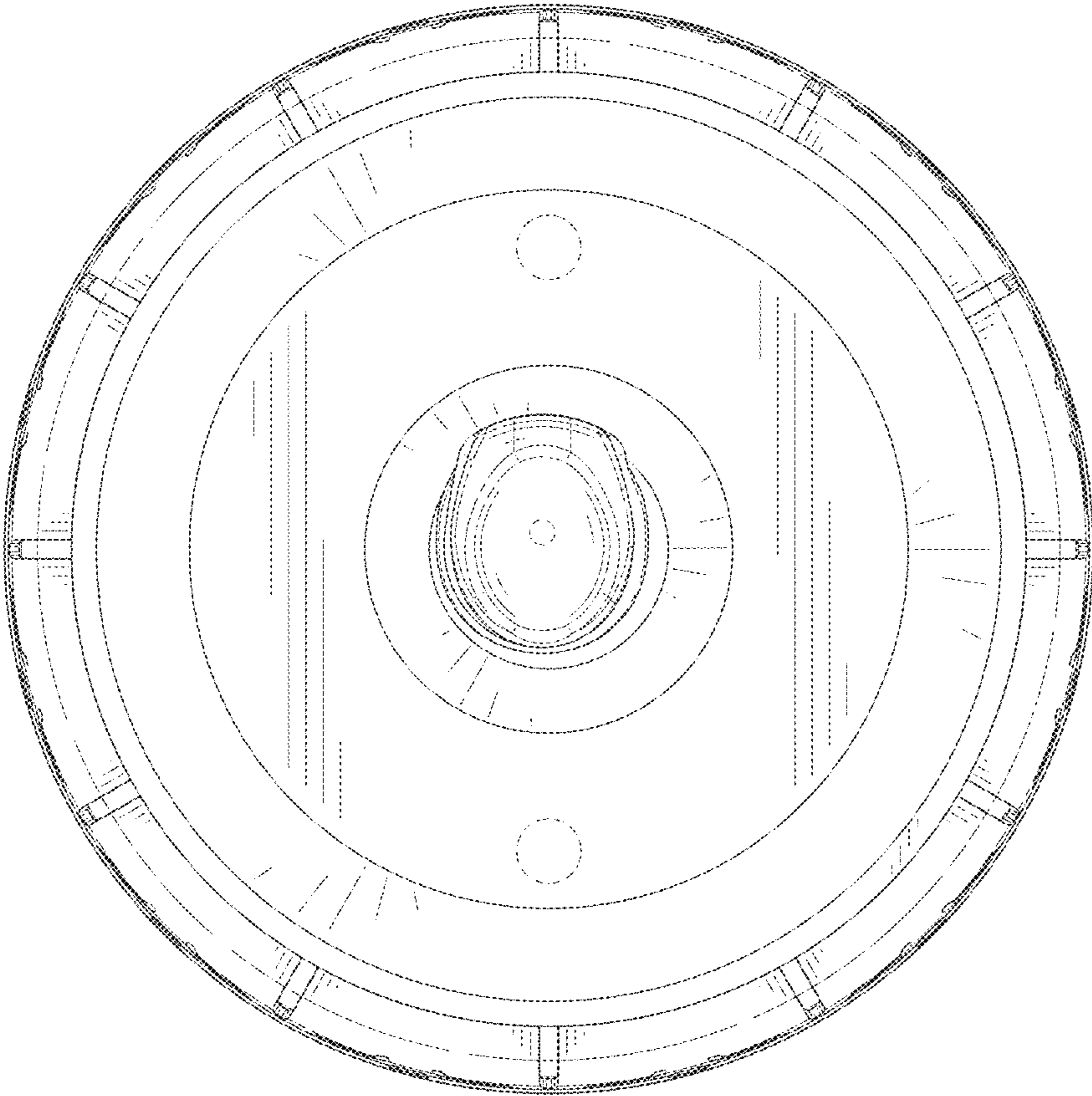


FIG. 5

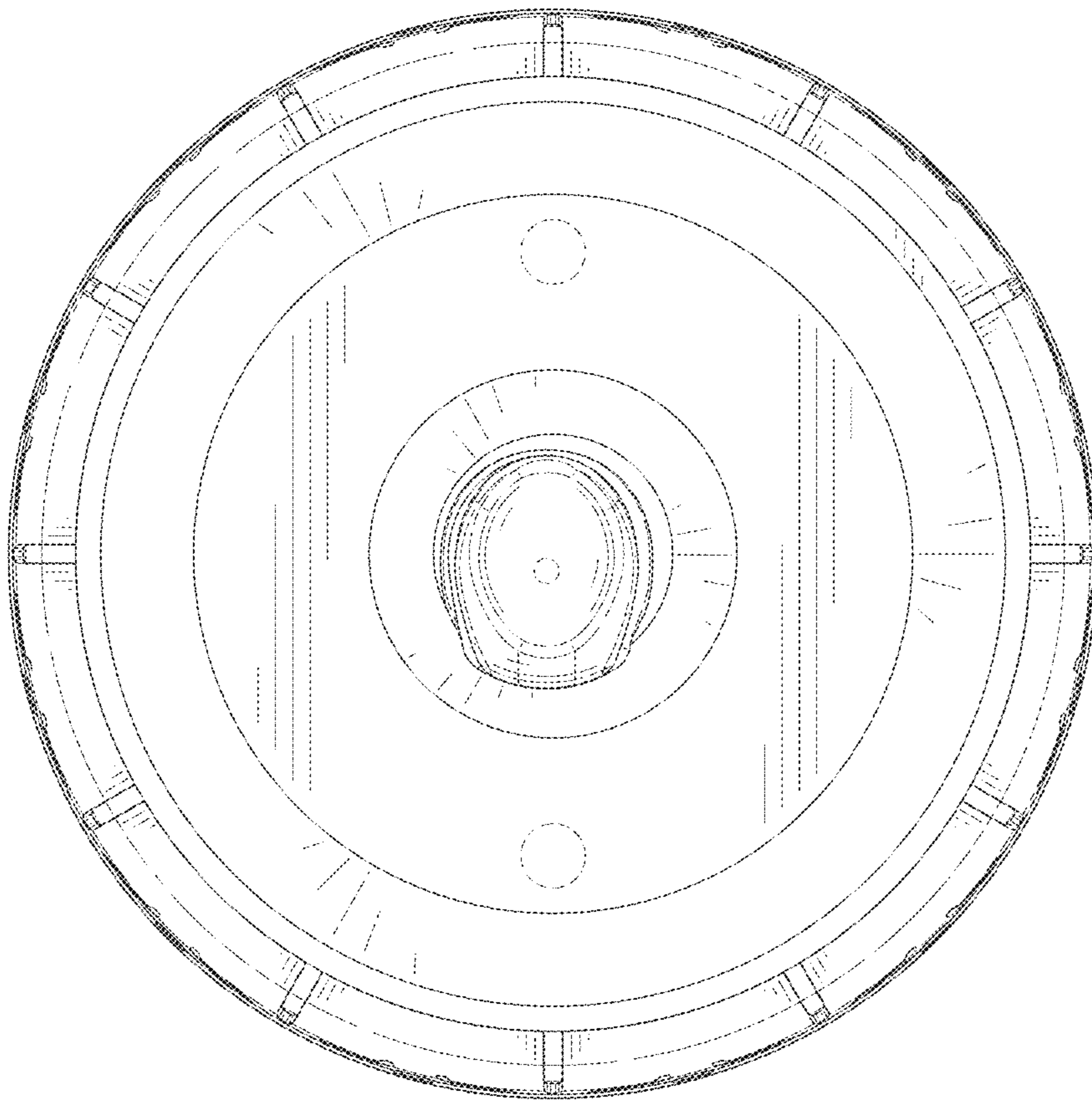


FIG. 6



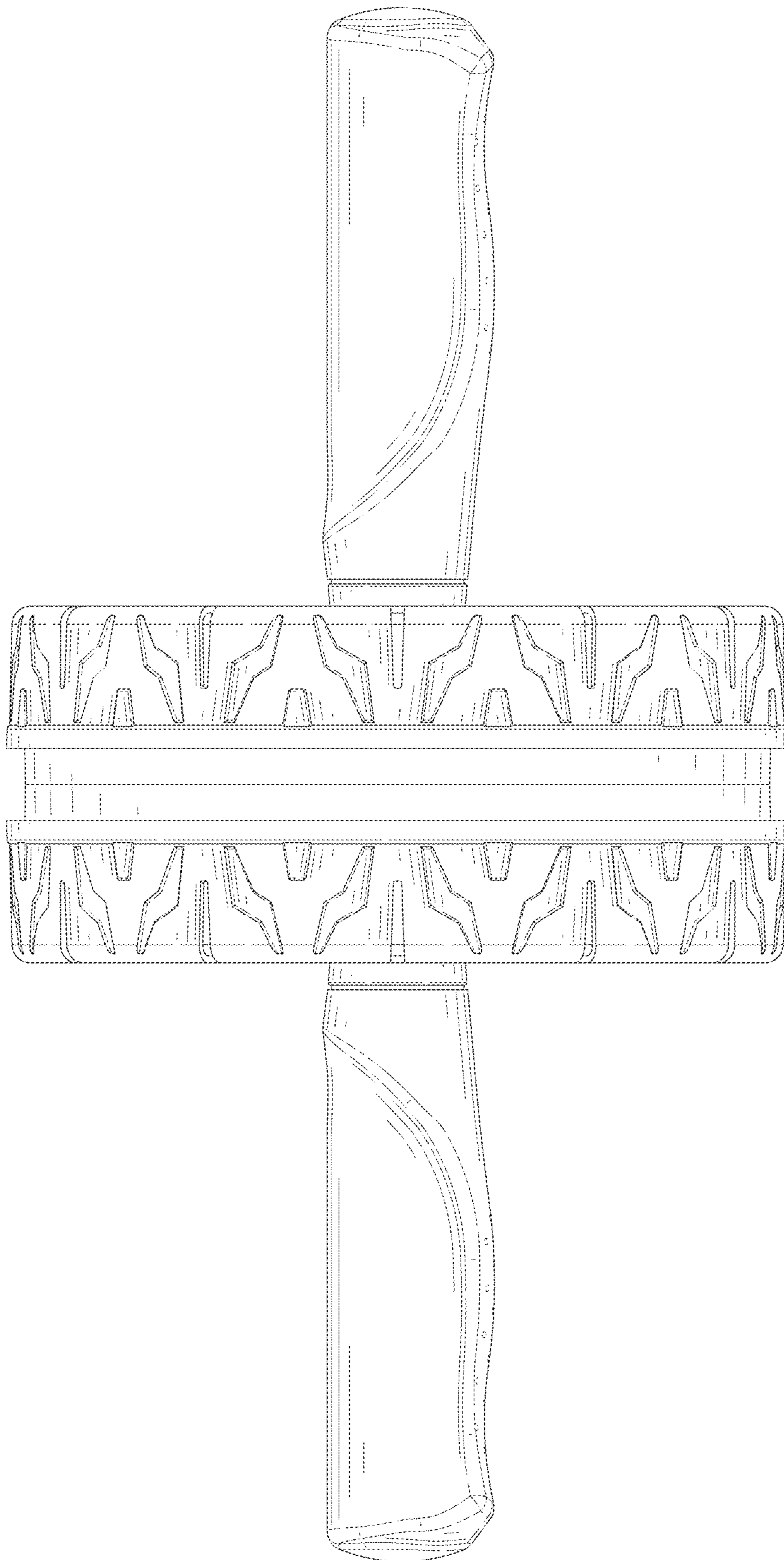


FIG. 7

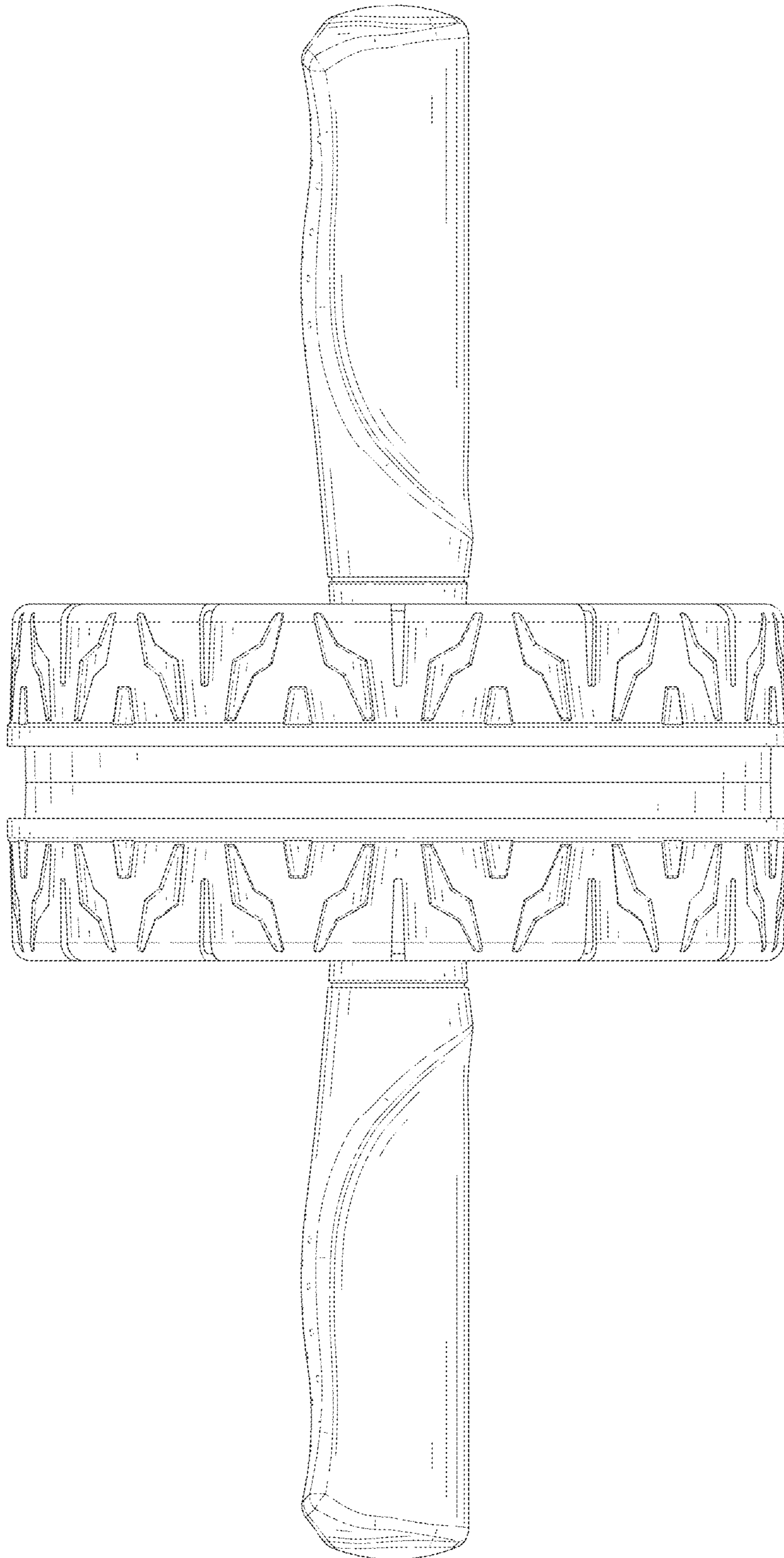


FIG. 8