



US00D986991S

(12) **United States Design Patent**
Dragoman

(10) **Patent No.:** **US D986,991 S**
(45) **Date of Patent:** **** May 23, 2023**

(54) **FITNESS WALL UNIT**

(71) Applicant: **Movement Rooms Inc.**, Toronto (CA)

(72) Inventor: **Emily Jane Dragoman**, Toronto (CA)

(73) Assignee: **Movement Rooms Inc.**, Toronto (CA)

(**) Term: **15 Years**

(21) Appl. No.: **29/801,280**

(22) Filed: **Jul. 28, 2021**

(51) **LOC (14) Cl.** **21-02**

(52) **U.S. Cl.**
USPC **D21/686**

(58) **Field of Classification Search**
USPC D21/668, 688, 671, 686, 662, 689, 687,
D21/413, 412, 423, 692, 694, 698, 760,
D21/766, 769, 803; D6/406.1, 349;
D25/64, 48.7

CPC A63B 22/001; A63B 21/4035; A63B
22/0664; A63B 21/0552; A63B 21/225;
A63B 2208/0204; A63B 21/0442
See application file for complete search history.

(56) **References Cited**

U.S. PATENT DOCUMENTS

1,223,717	A *	4/1917	Mintz	A45F 3/24 D21/691
1,410,149	A *	3/1922	Williams	A63B 1/00 482/38
D208,643	S *	9/1967	Gervais	D21/823
3,384,368	A *	5/1968	Fenner	A63B 1/00 482/38
4,609,193	A *	9/1986	Paris	A61H 1/0218 482/142
4,632,344	A *	12/1986	Lang	F16M 11/046 211/186
4,728,066	A *	3/1988	Lang	F16M 11/046 211/186
5,290,209	A *	3/1994	Wilkinson	A63B 21/00047 482/141

(Continued)

OTHER PUBLICATIONS

Get Out! Doorway Hangboard Rock Climbing Fingerboard. Online, published date May 23, 2019. Retrieved on Nov. 25, 2022 from URL: <https://www.amazon.com/Get-Out-Hangboard-Climbing-Fingerboard/dp/B07SB85N8G/>.*

(Continued)

Primary Examiner — Omeed Agilee

Assistant Examiner — David Truong

(74) *Attorney, Agent, or Firm* — Bereskin & Parr
LLP/S.E.N.C.R.L., s.r.l.

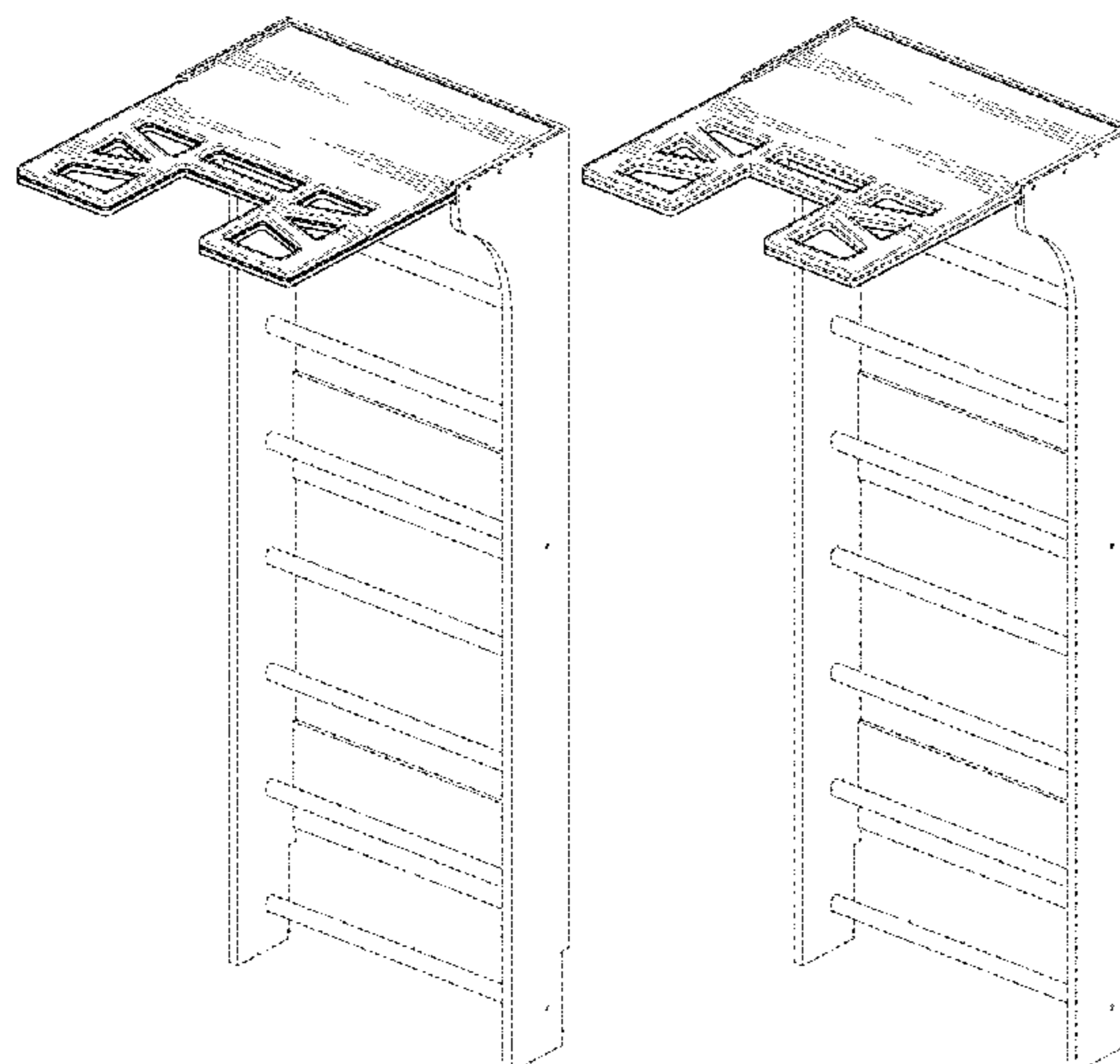
(57) **CLAIM**

The ornamental design for a fitness wall unit, as shown and described.

DESCRIPTION

FIG. 1 is a perspective view of a fitness wall unit according to the first embodiment;
FIG. 2 is a front view of the fitness wall unit thereof;
FIG. 3 is a rear view of the fitness wall unit thereof;
FIG. 4 is a left side view of the fitness wall unit thereof;
FIG. 5 is a right side view of the fitness wall unit thereof;
FIG. 6 is a top view of the fitness wall unit thereof;
FIG. 7 is a bottom view of the fitness wall unit thereof;
FIG. 8 is a perspective view of a fitness wall unit according to the second embodiment;
FIG. 9 is a front view of the fitness wall unit thereof;
FIG. 10 is a rear view of the fitness wall unit thereof;
FIG. 11 is a left side view of the fitness wall unit thereof;
FIG. 12 is a right side view of the fitness wall unit thereof;
FIG. 13 is a top view of the fitness wall unit thereof; and,
FIG. 14 is a bottom view of the fitness wall unit thereof.
The broken lines in FIGS. 1-14 illustrate portions of the fitness wall unit that form no part of the claimed design.

1 Claim, 12 Drawing Sheets



(56)

References Cited

U.S. PATENT DOCUMENTS

5,839,540 A * 11/1998 Russell B25H 1/06
182/225
6,117,054 A * 9/2000 Soltanpour A63B 69/0079
482/148
D650,024 S 12/2011 Ivanov
8,079,915 B2 * 12/2011 Spencer A63G 9/00
472/118
D816,173 S * 4/2018 Jackson D21/691
D844,078 S * 3/2019 Salomone D21/691
D875,266 S * 2/2020 Qiu D24/213
D927,610 S * 8/2021 Song D21/679
2004/0204292 A1 * 10/2004 Chu A63B 71/023
482/41

OTHER PUBLICATIONS

Yes4All Multi Grip Pull Up Bar. Online, published date Aug. 8, 2019. Retrieved on Nov. 25, 2022 from URL: <https://www.amazon.com/Yes4All-Multi-Grip-Pull-Bar/dp/B07W6YKHF2/>.*

The Beam Store, Swedish Stall Bars, www.thebeamstore.ca/products/swedish-stall-bars-commercial-grade.

Wedanta Kids, Wooden Swedish Ladder Wall Set Wall Sport-2, www.wedantakids.com/products/wooden-swedish-ladder-wall-set-sport.

FitWood USA, Trollstigen wall bars, www.fitwood.com/us/products/trollstigen-wallbars.

* cited by examiner

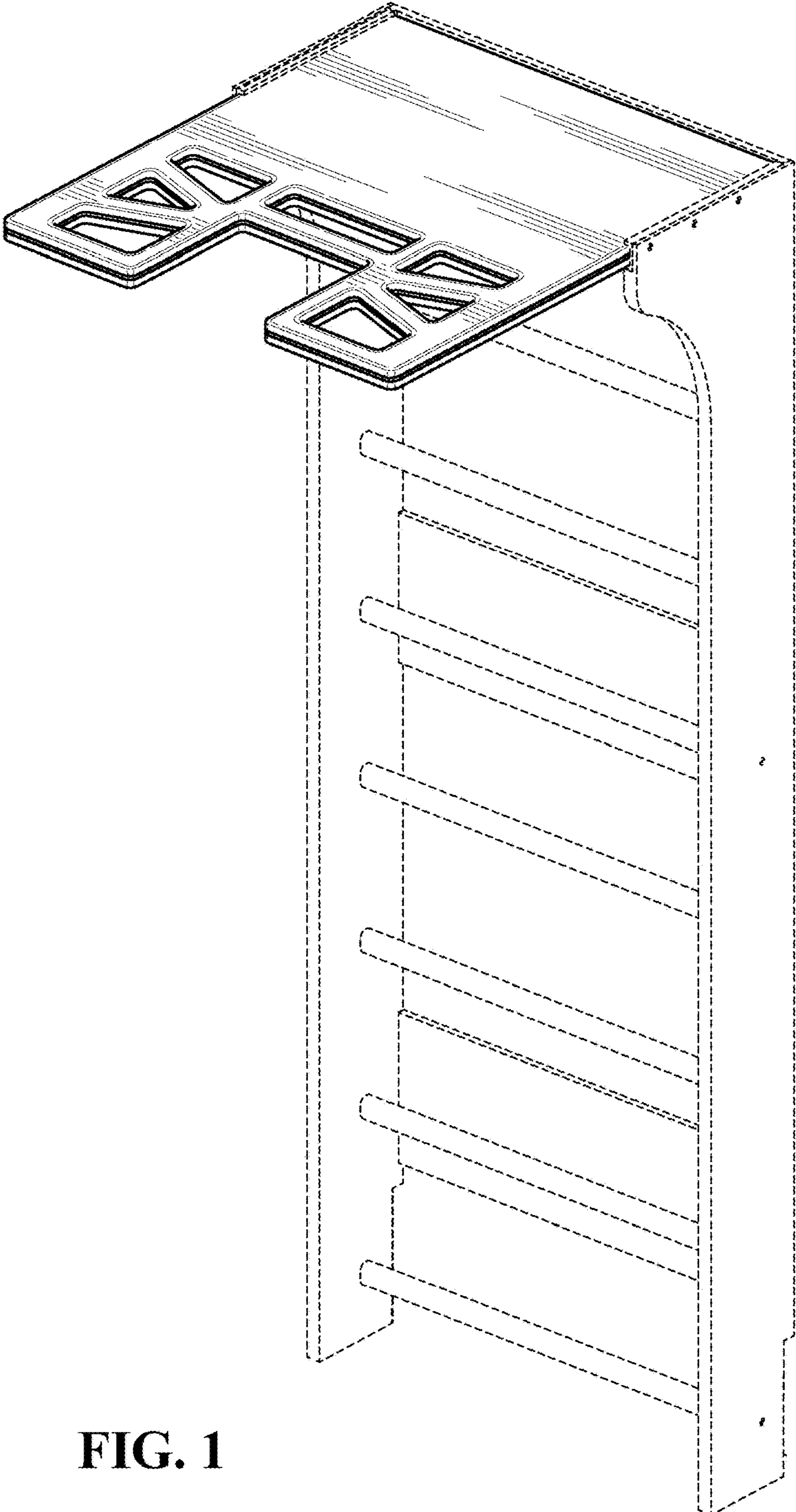


FIG. 1

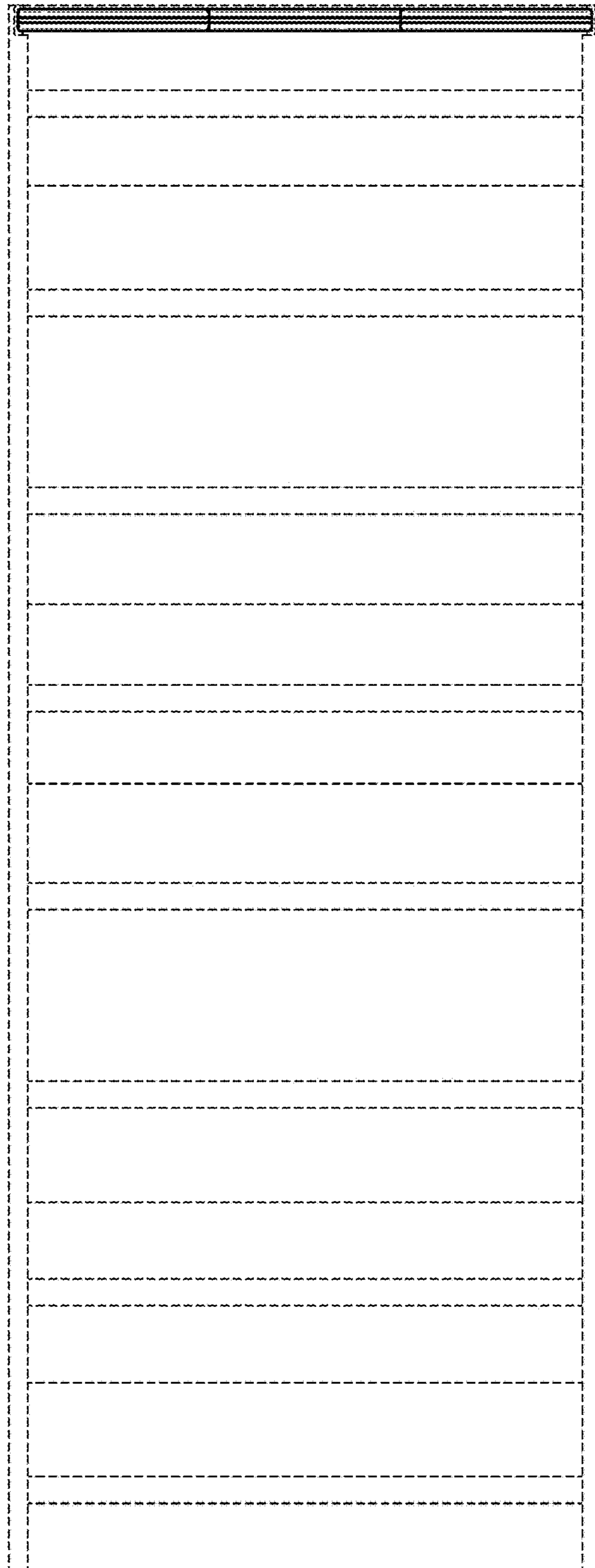


FIG. 2

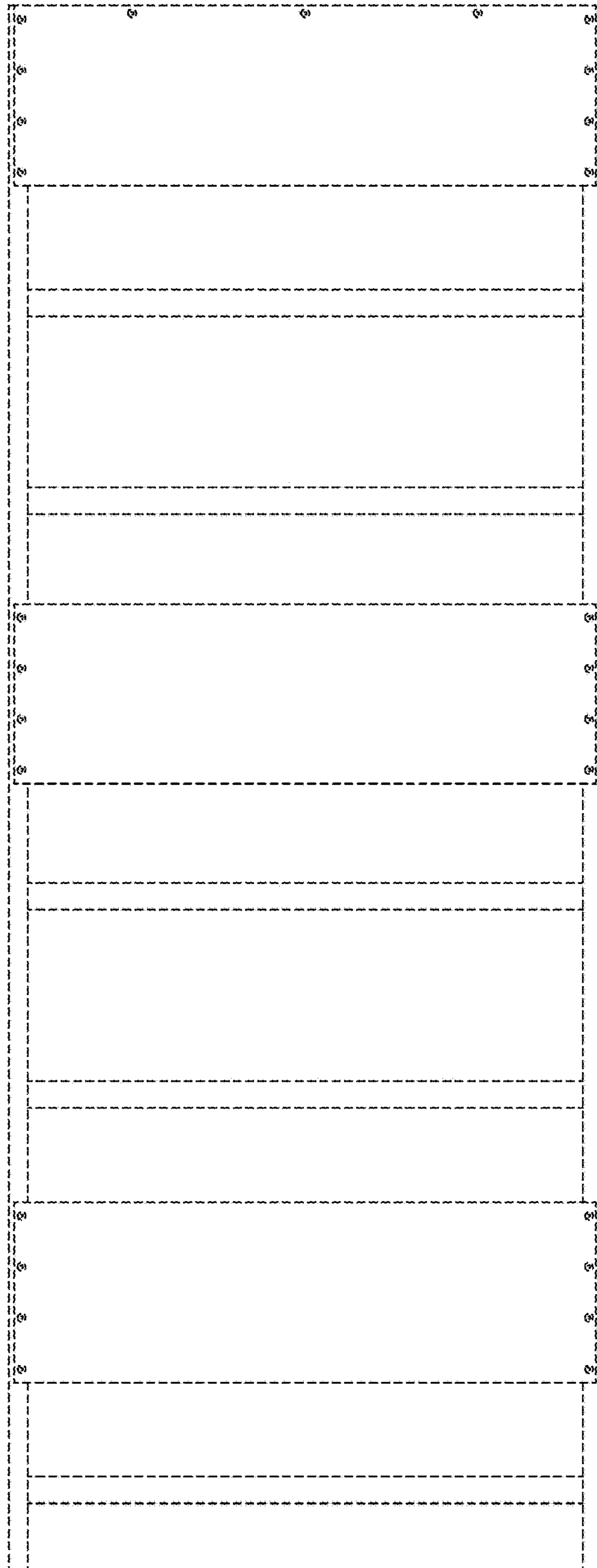


FIG. 3

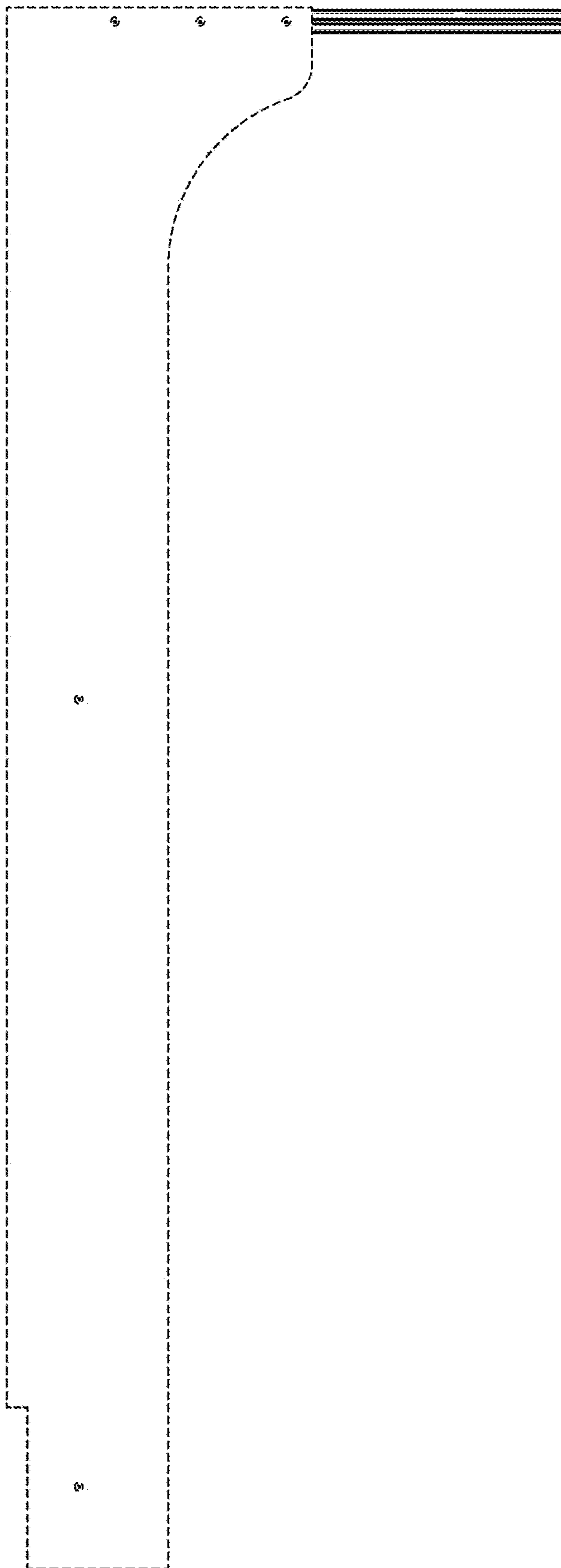


FIG. 4

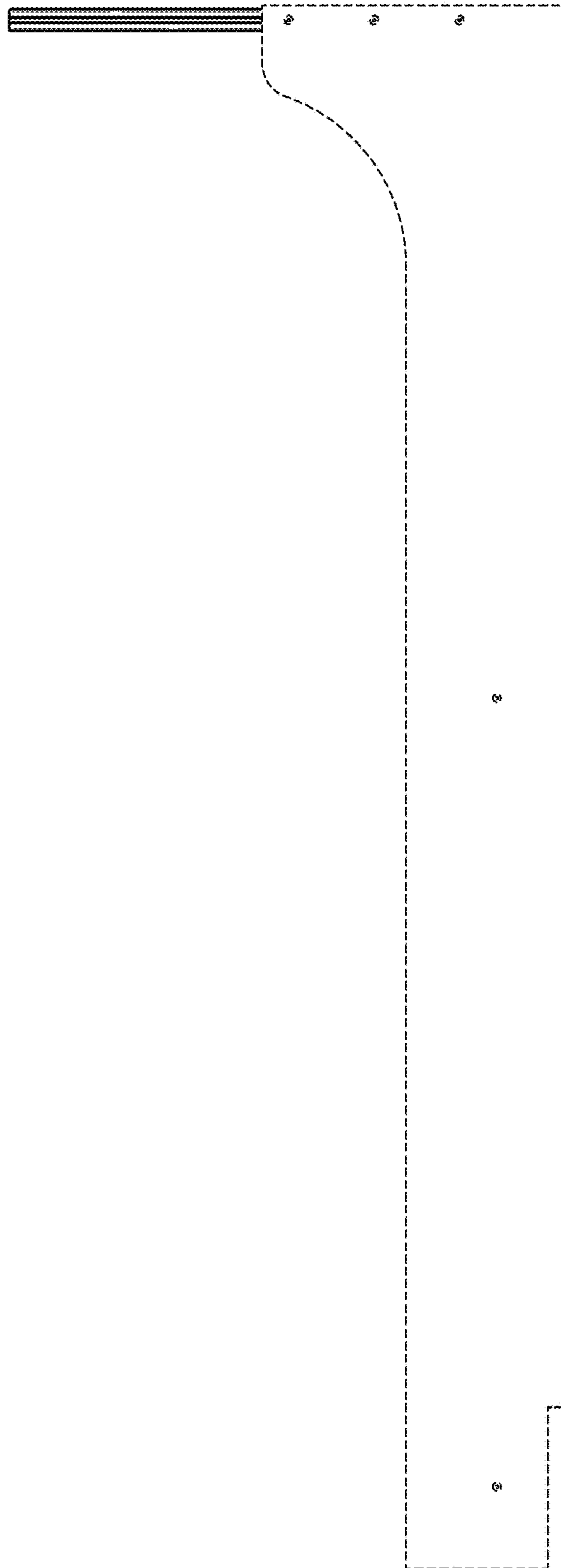


FIG. 5

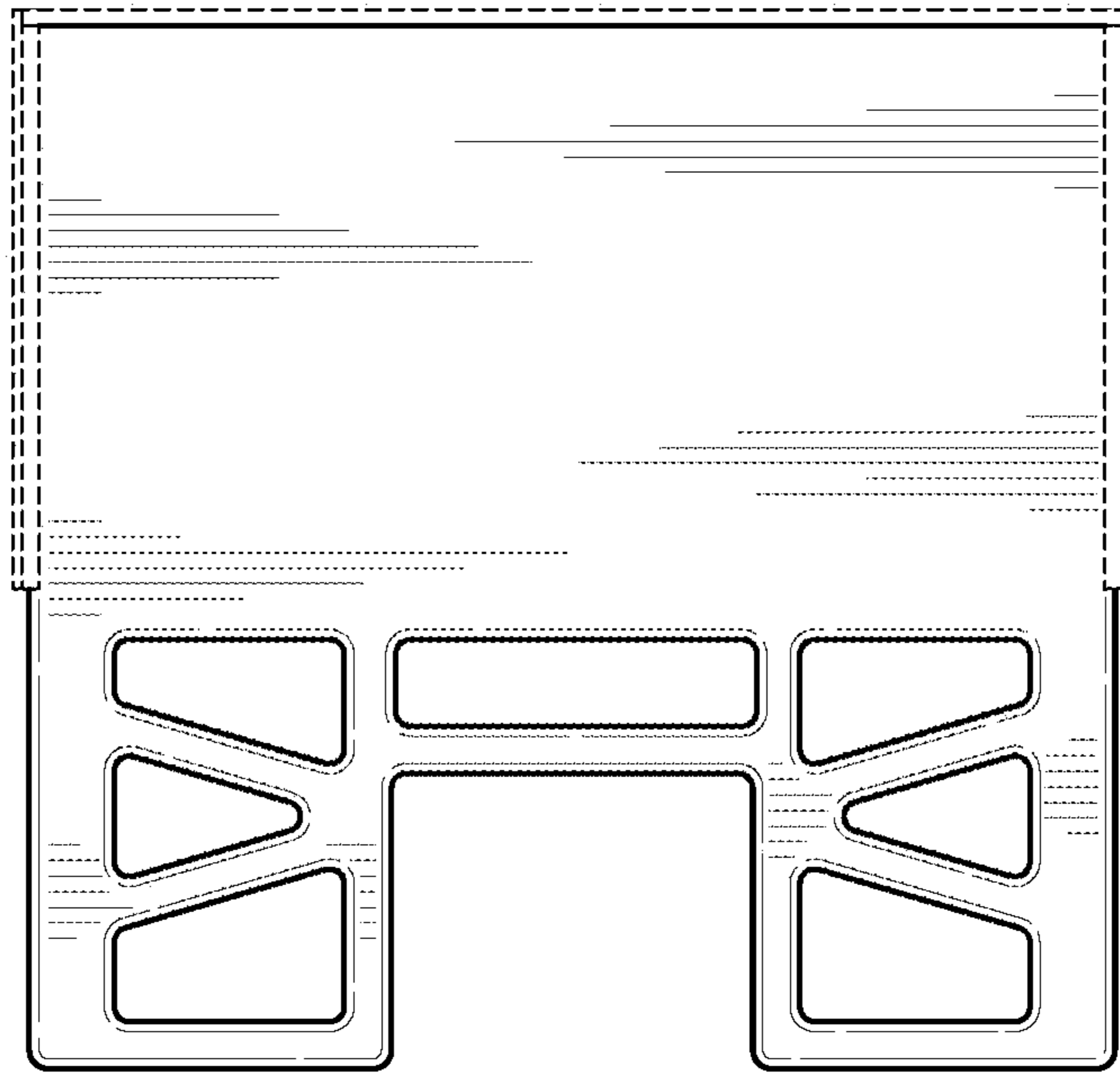


FIG. 6

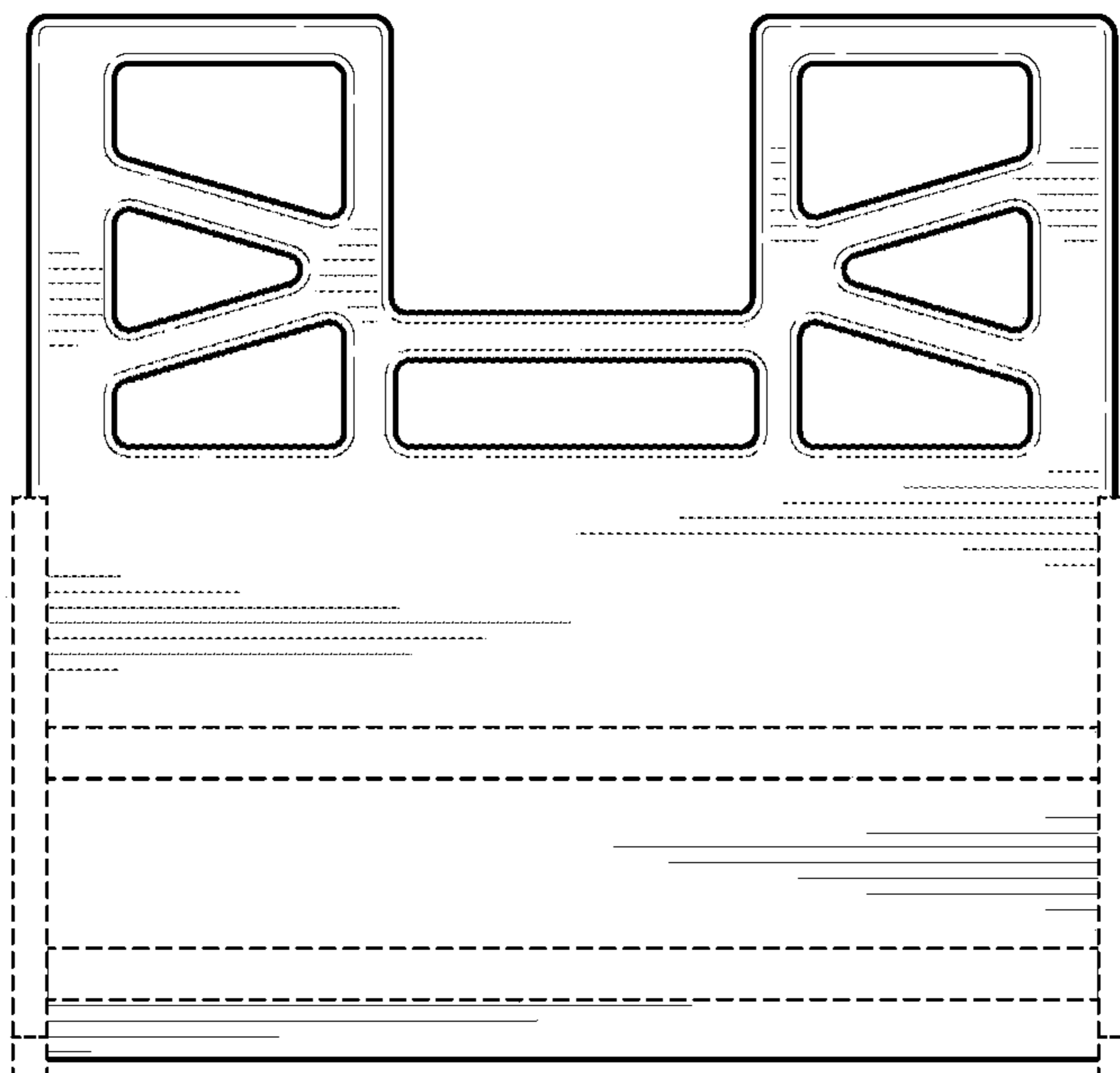


FIG. 7

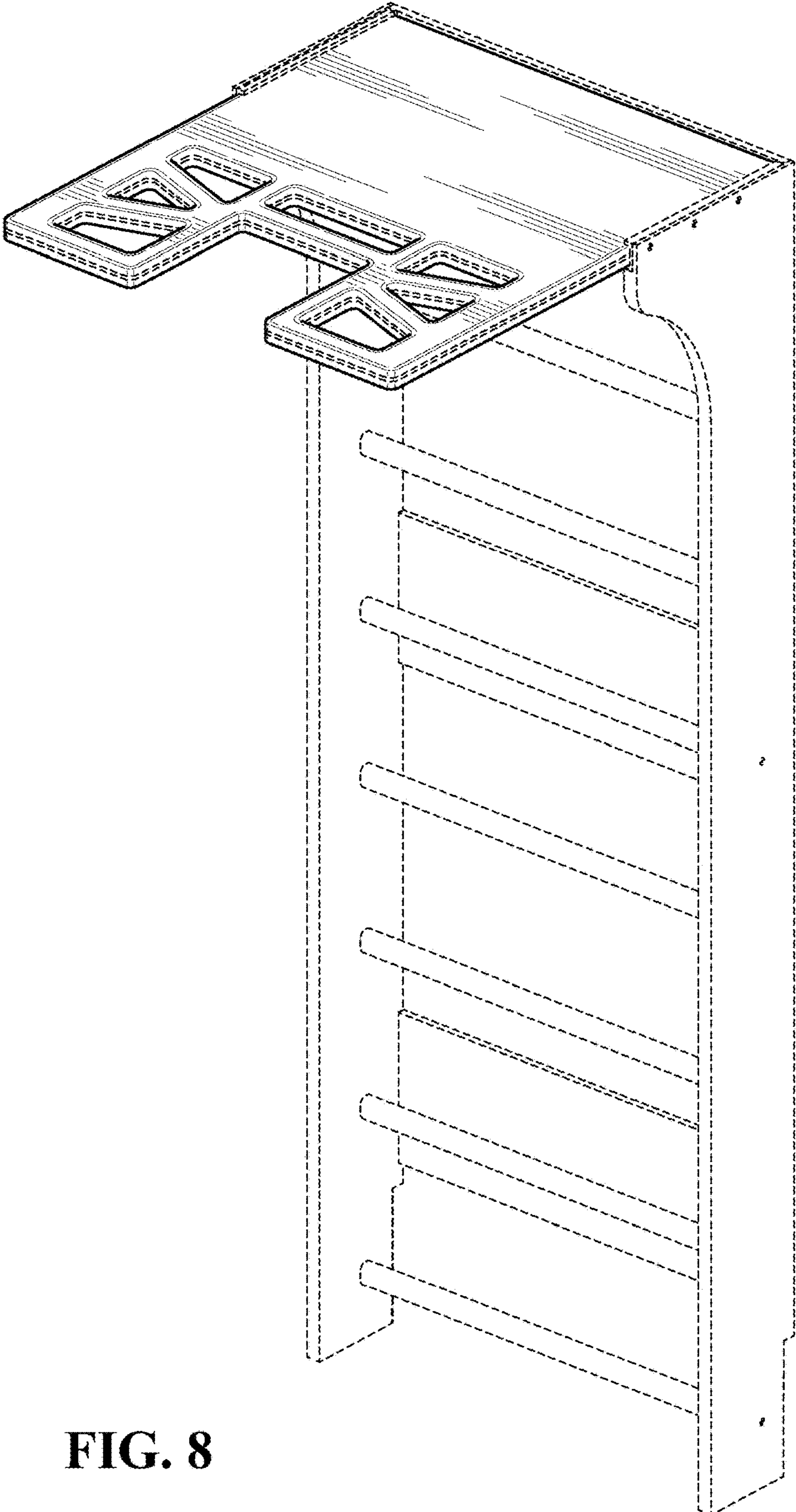


FIG. 8

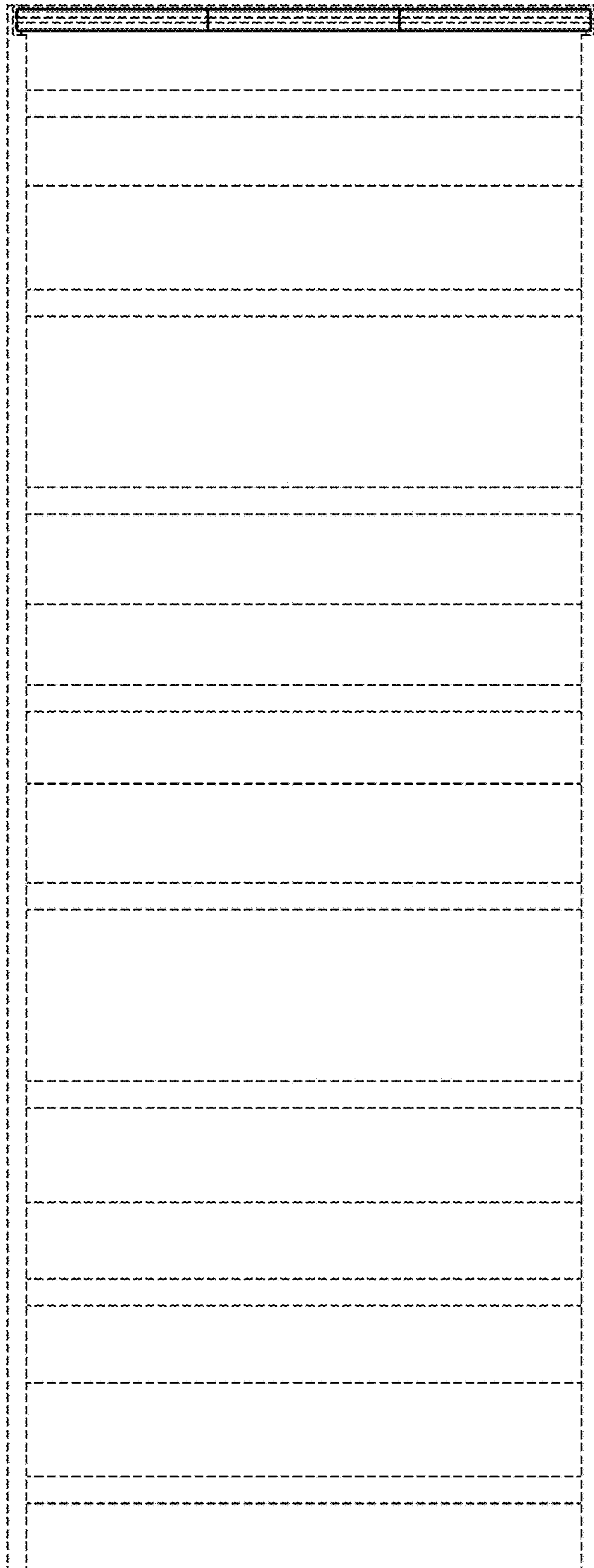


FIG. 9

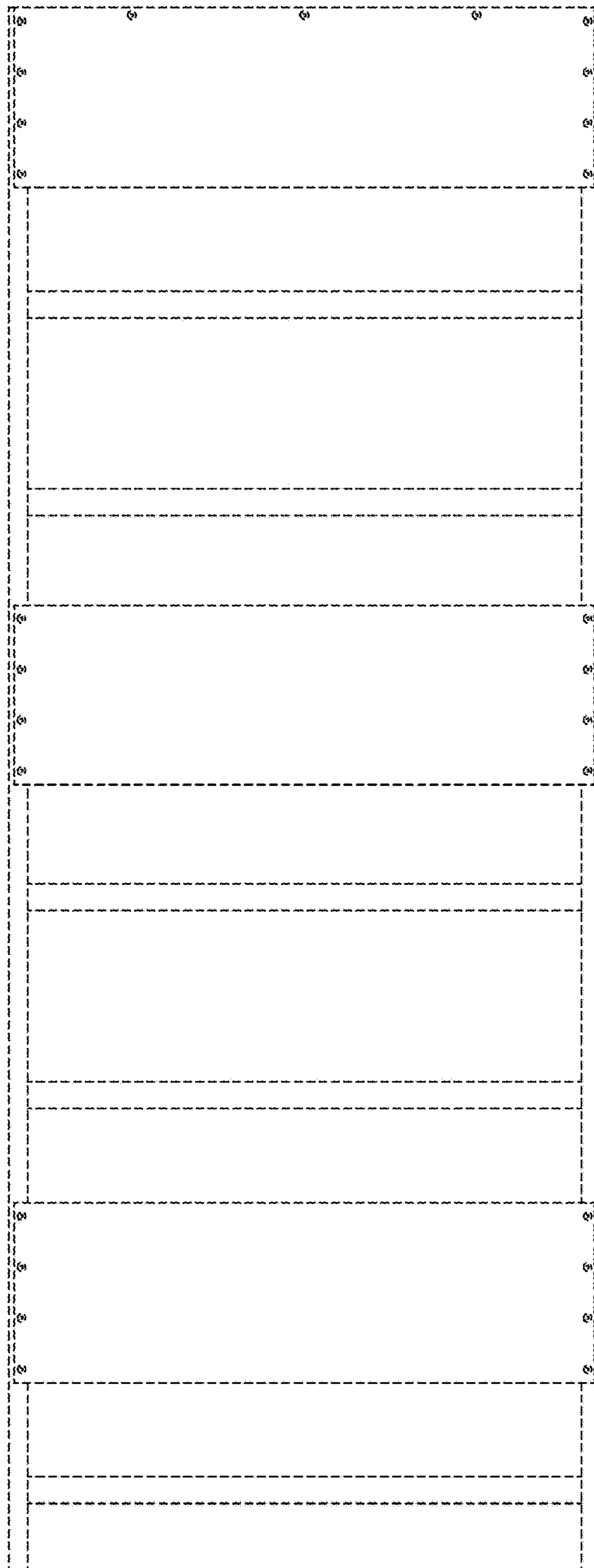


FIG. 10

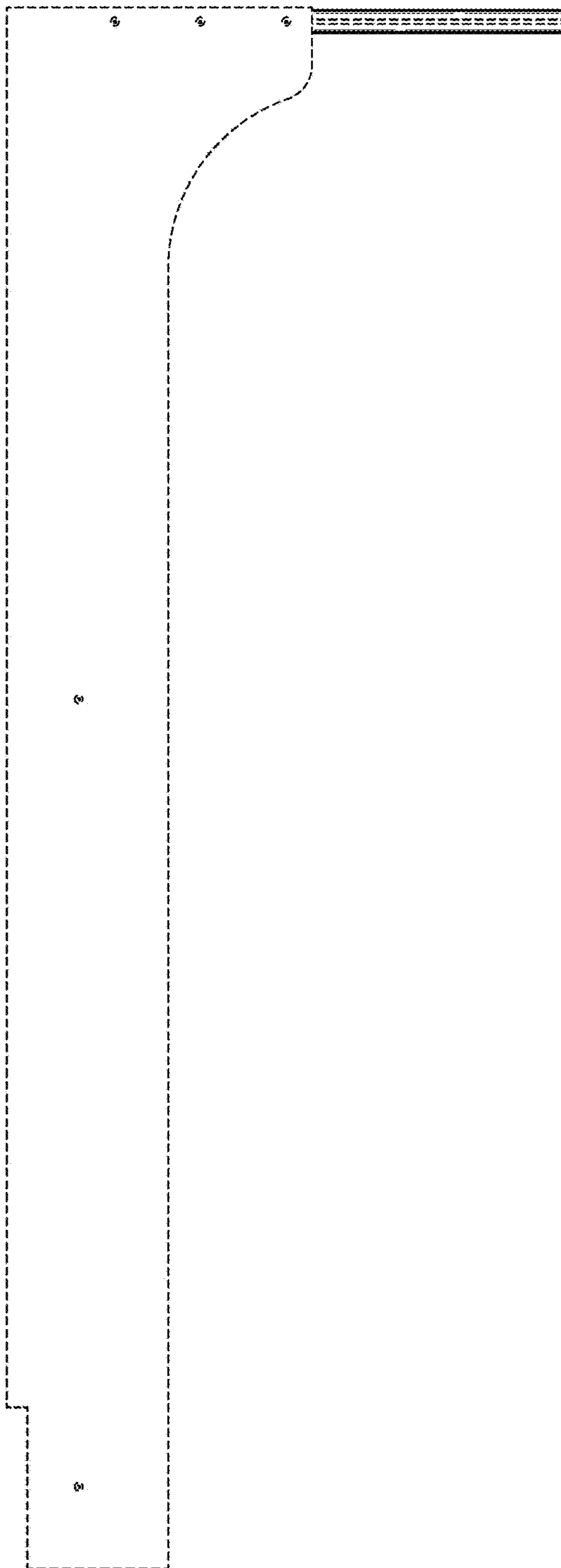


FIG. 11

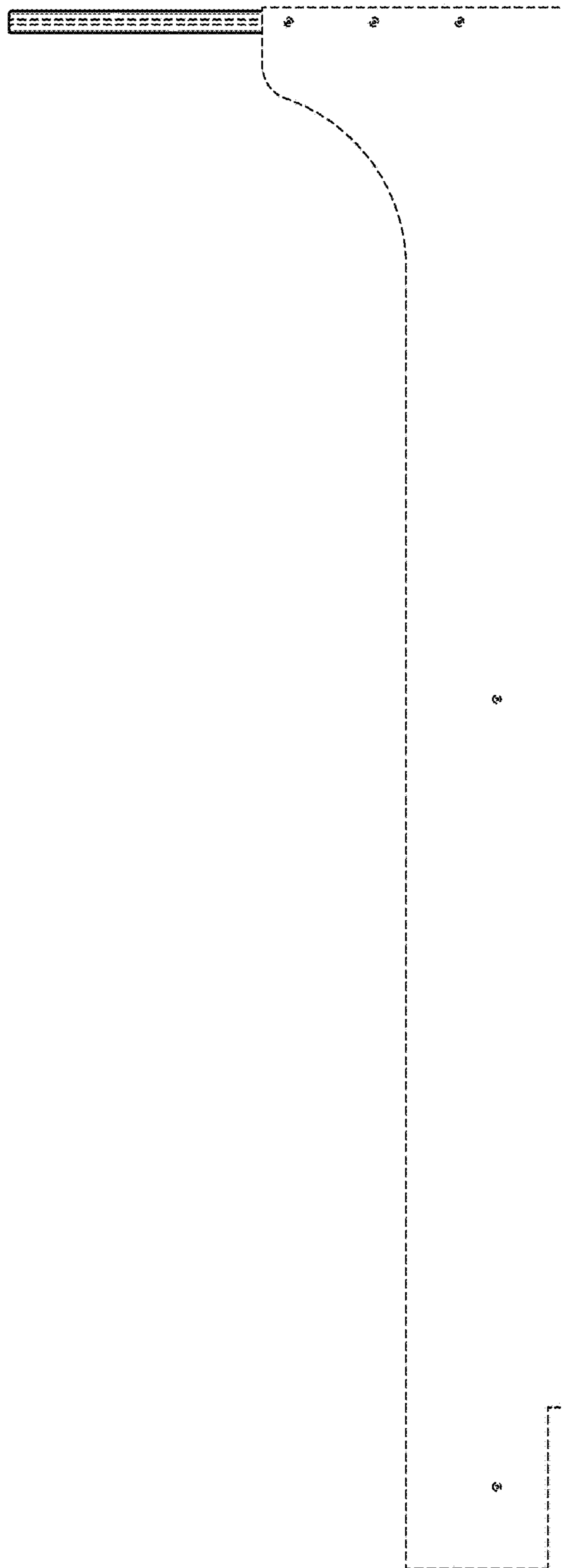


FIG. 12

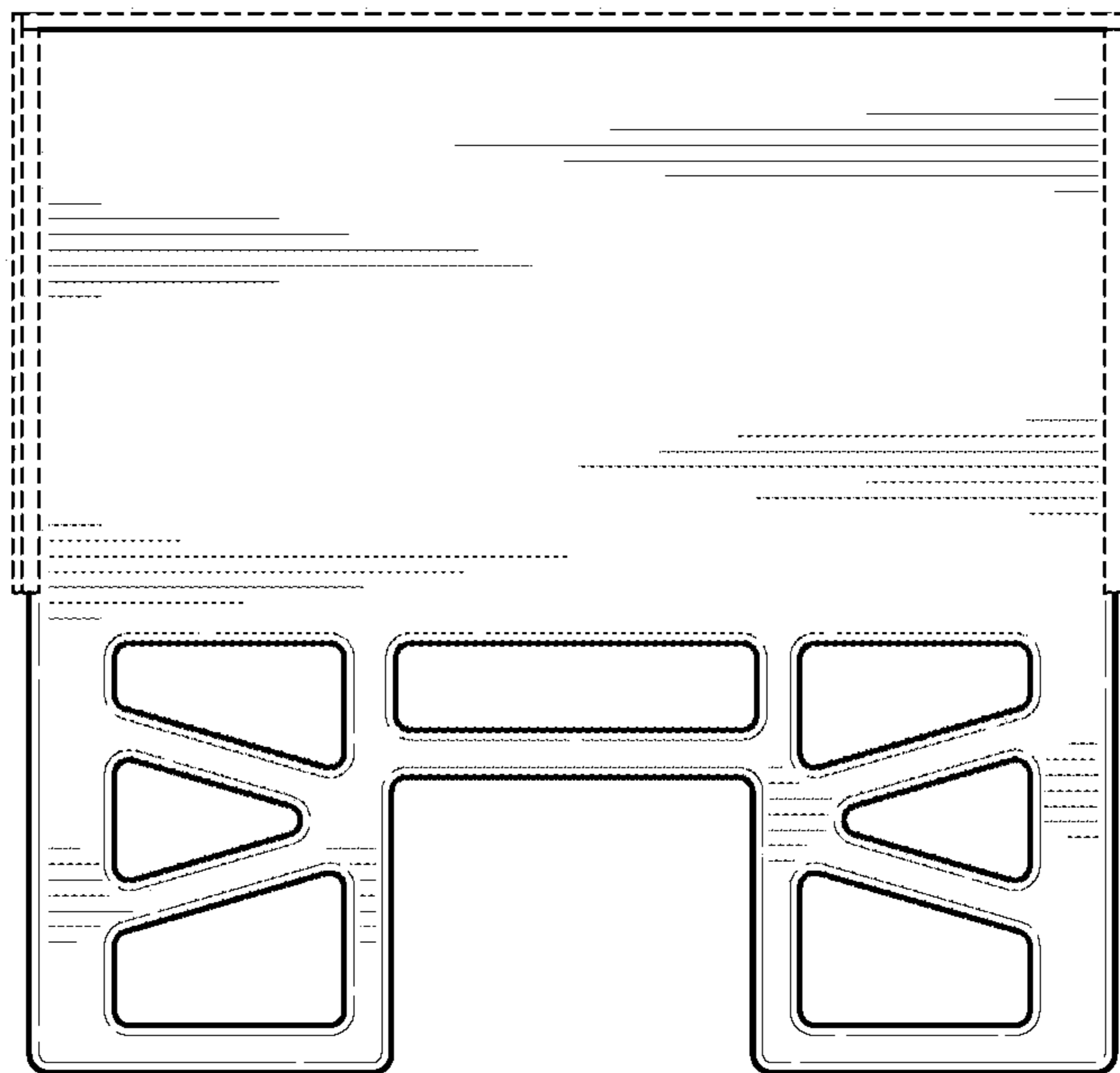


FIG. 13

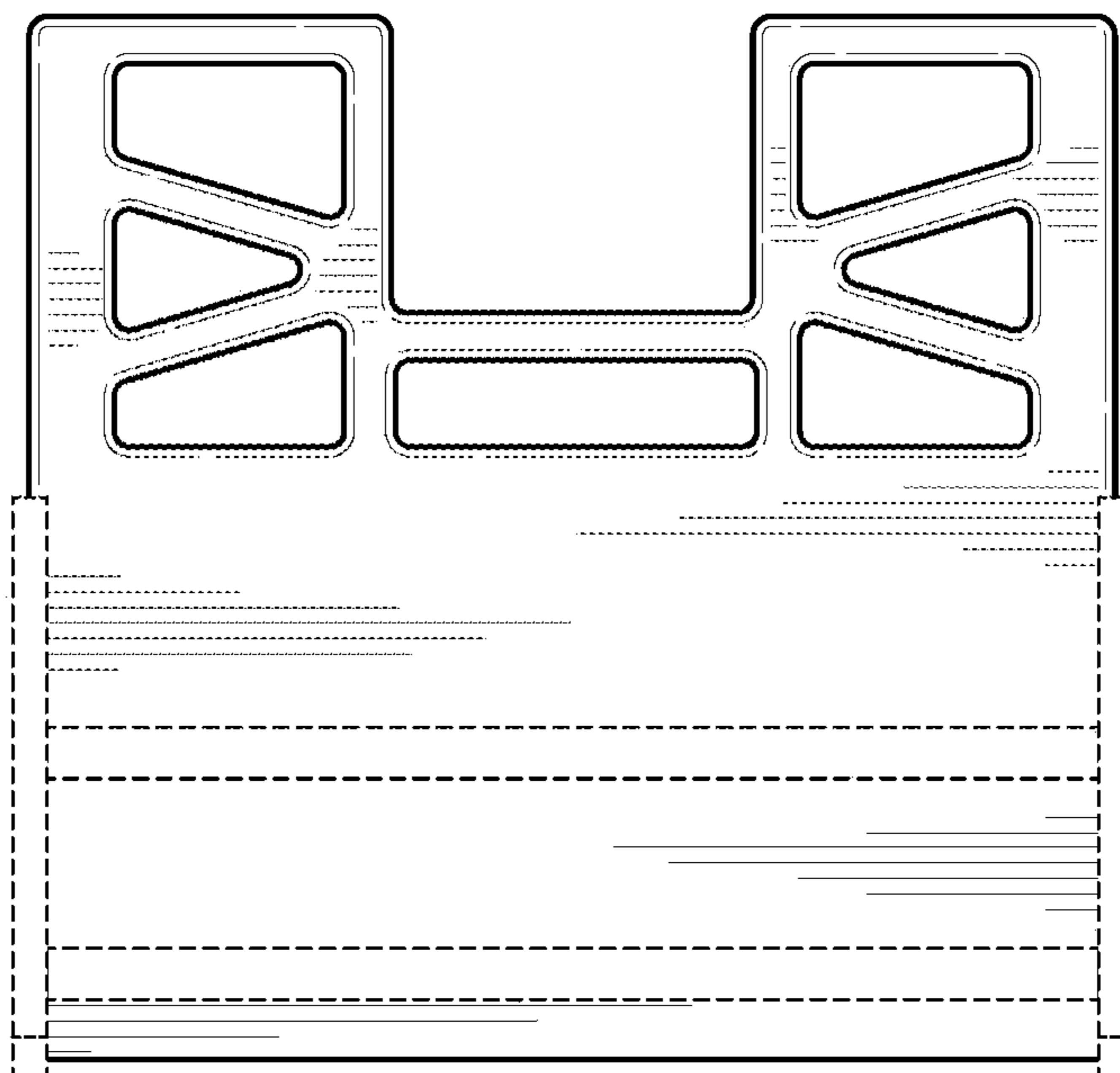


FIG. 14