



US00D986988S

(12) **United States Design Patent** (10) **Patent No.:** **US D986,988 S**  
**Mao** (45) **Date of Patent:** **\*\* May 23, 2023**

- (54) **SPORTS EQUIPMENT LIMITER**
- (71) Applicant: **Qiongfang Mao**, Zhejiang (CN)
- (72) Inventor: **Qiongfang Mao**, Zhejiang (CN)
- (\*\*) Term: **15 Years**
- (21) Appl. No.: **29/884,358**
- (22) Filed: **Feb. 10, 2023**
- (51) **LOC (14) Cl.** ..... **21-02**
- (52) **U.S. Cl.**  
USPC ..... **D21/673**
- (58) **Field of Classification Search**  
USPC ..... D21/686, 673, 675, 676, 691, 694, 826  
CPC . A63B 21/0628; A63B 21/0626; A63B 1/078;  
A63B 21/0783; A63B 21/078; A63B  
21/4029; A63B 21/4035; A63B 21/156;  
A63B 21/154; A63B 2023/0411; A63B  
23/1209; A63B 23/03525; A63B 2225/09;  
A63B 23/03566; A63B 21/062  
See application file for complete search history.

(56) **References Cited**

U.S. PATENT DOCUMENTS

D439,292 S *	3/2001	Webber	.....	D8/308
D737,387 S	8/2015	De Siqueira Indio da Costa		
D898,136 S *	10/2020	Carmichael	.....	D21/686
D931,953 S *	9/2021	Kuka	.....	D21/686
D955,511 S *	6/2022	Carmichael	.....	D21/688
11,369,833 B2 *	6/2022	Leipheimer	.....	A63B 21/4043
D961,024 S *	8/2022	Sneathen	.....	D21/686
D973,155 S *	12/2022	Gong	.....	D21/673
D974,503 S *	1/2023	Gong	.....	D21/686
D974,506 S *	1/2023	Qi	.....	D21/673
D980,354 S *	3/2023	Gong	.....	D21/673
2022/0161092 A1 *	5/2022	Fourney	.....	A63B 69/0057

OTHER PUBLICATIONS

“Force USA Compact Leg Press & Hack Squat” Apr. 29, 2019, ForceUSA, site visited Mar. 8, 2023: <https://www.forceusa.com/products/compact-leg-press-hack-squat> (Year: 2019).\*

“Force USA Compact Leg Press Initial Review” May 18, 2019, Youtube, site visited Mar. 8, 2023: <https://www.youtube.com/watch?v=HewawMWdlwo> (Year: 2019).\*

“PowerLine BC2B Power Rack Bar Catch” Sep. 1, 2007, Amazon, site visited Mar. 8, 2023: <https://www.amazon.com/dp/B000XKMO1A> (Year: 2007).\*

(Continued)

*Primary Examiner* — Jack Reickel  
*Assistant Examiner* — Salamah Jordan  
(74) *Attorney, Agent, or Firm* — Daniel M. Cohn;  
Howard M. Cohn

(57) **CLAIM**

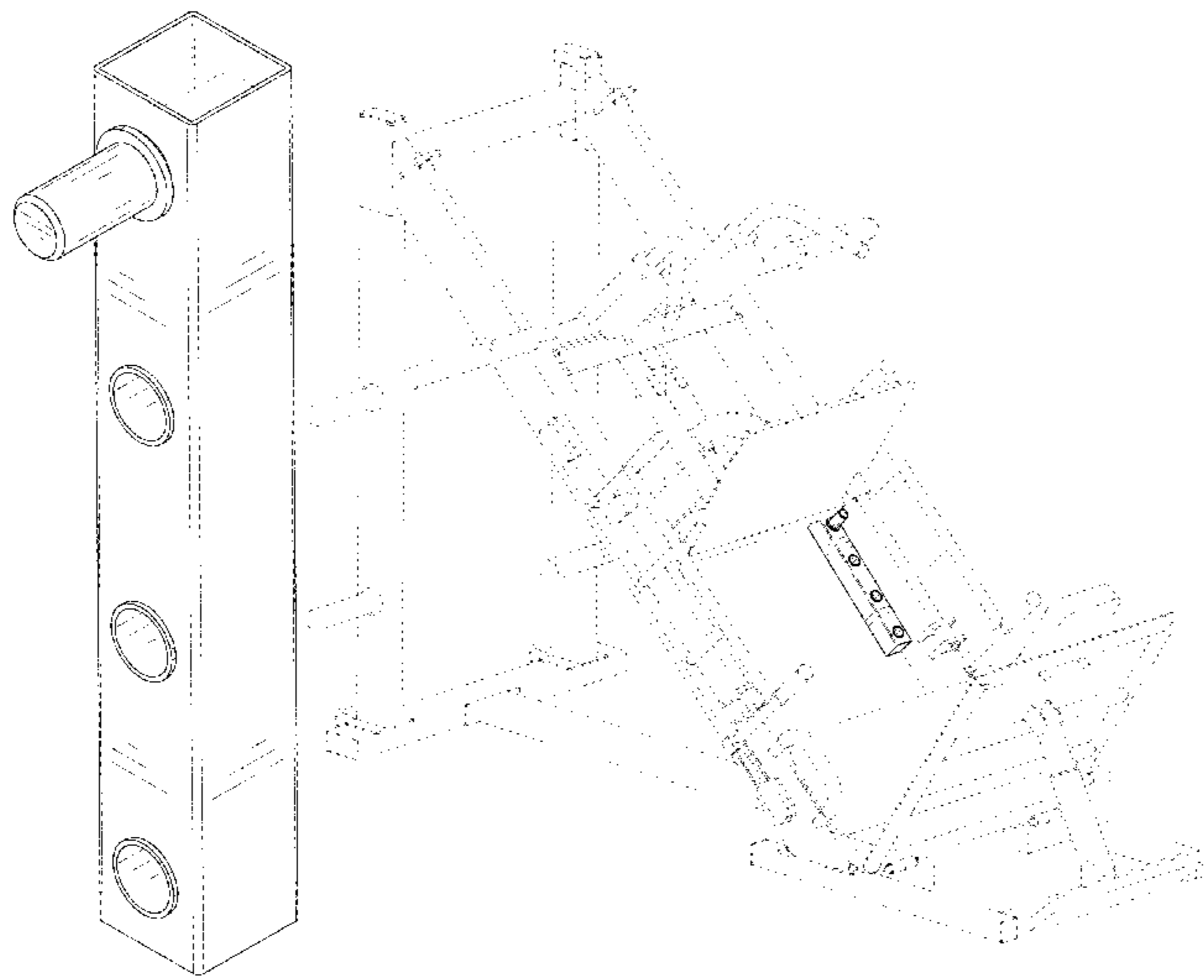
The ornamental design for a sports equipment limiter, as shown and described.

**DESCRIPTION**

FIG. 1 is a front perspective view of a sports equipment limiter, showing my new design;  
FIG. 2 is a rear perspective view thereof;  
FIG. 3 is a right perspective view thereof;  
FIG. 4 is a front elevational view thereof, the rear elevational view being a mirror image of FIG. 4;  
FIG. 5 is a left side view thereof;  
FIG. 6 is a right side view thereof;  
FIG. 7 is a top plan view thereof;  
FIG. 8 is a bottom plan view thereof; and,  
FIG. 9 is a rear perspective view of the sports equipment limiter in a used state.

The broken lines in the figures are for the purposes of illustrating portions of the sports equipment limiter, which form no part of the claimed design.

**1 Claim, 5 Drawing Sheets**



(56)

**References Cited**

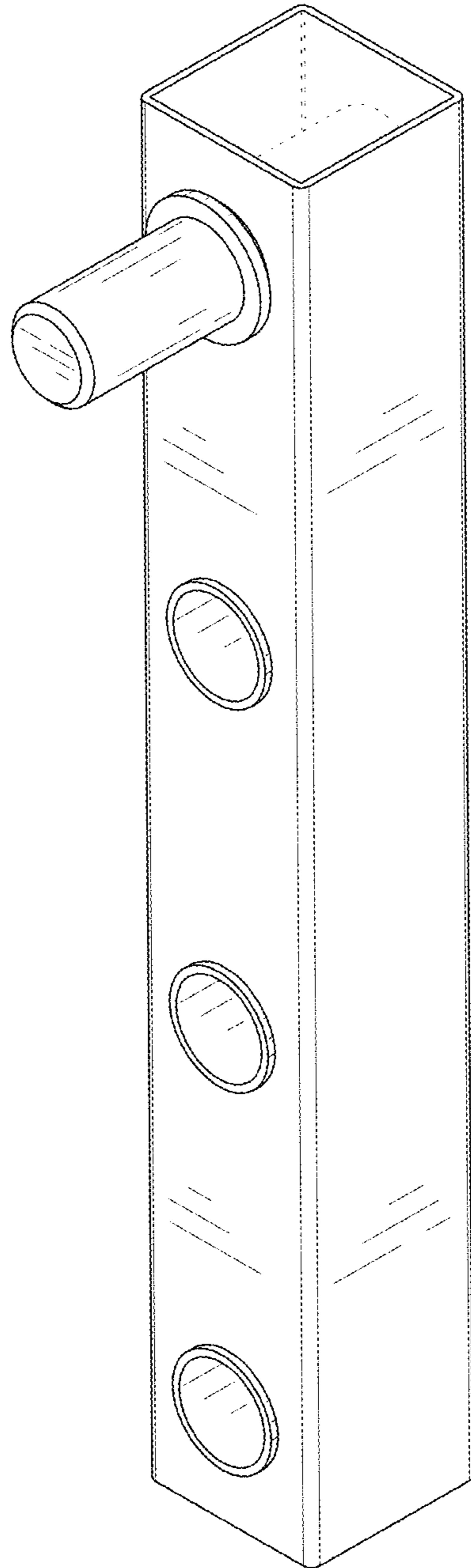
OTHER PUBLICATIONS

“Ultimate 45 Degree Leg Press Hack Squat Combo” Sep. 28, 2018, Force USA, site visited Mar. 15, 2023: <https://www.forceusa.com/collections/leg-machines/products/ultimate-leg-press-hack-squat-combo#shopify-product-reviews> (Year: 2018).\*

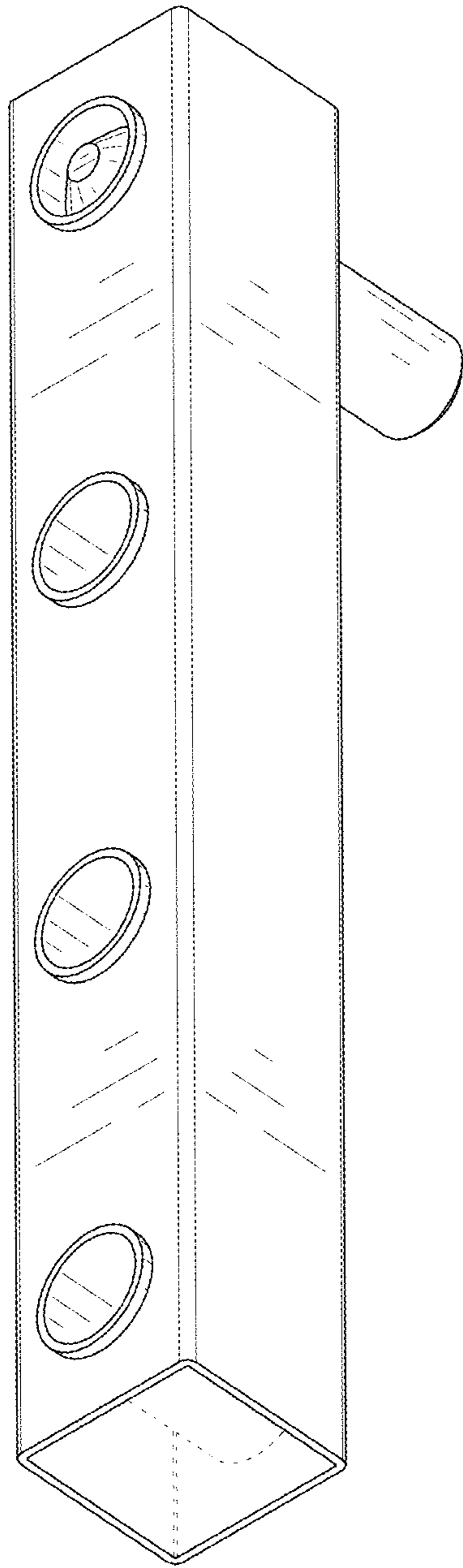
“SYL Fitness” Sep. 10, 2021, Amazon, site visited Mar. 19, 2023: <https://www.amazon.com/SYL-Fitness-Mounted-Olympic-Weight/dp/B09FX44GBJ> (Year: 2021).\*

“80/20 Inc, 9701, 1.5"×1.5" RT Square Tube with Holes ×36” Feb. 19, 2013, Amazon, site visited Mar. 19, 2023: <https://www.amazon.com/80-20-Smooth-Square-Profile/dp/B00J4SW764> (Year: 2013).\*

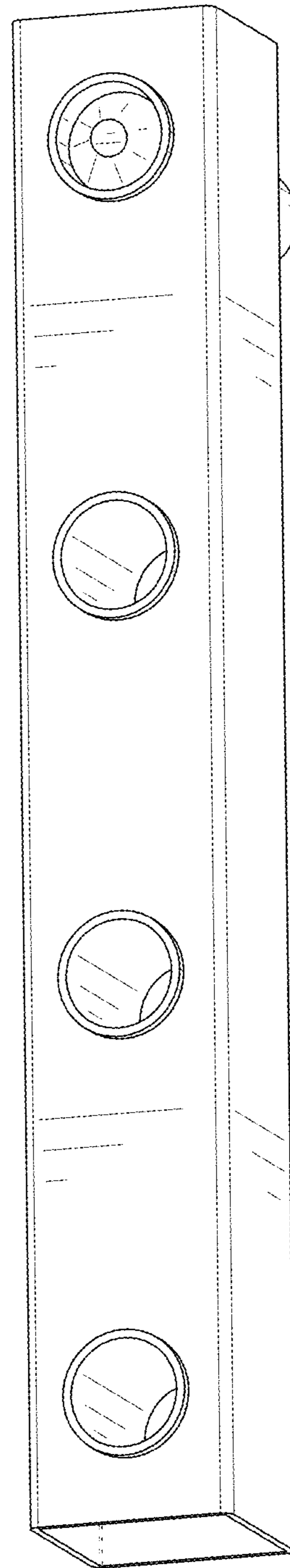
\* cited by examiner



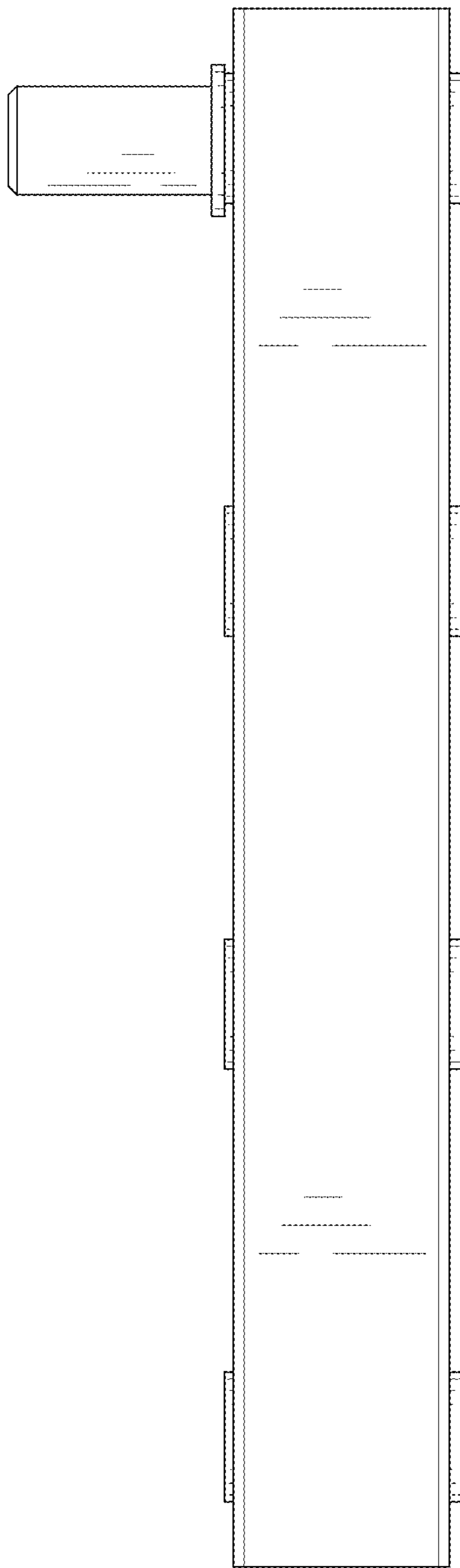
**FIG. 1**



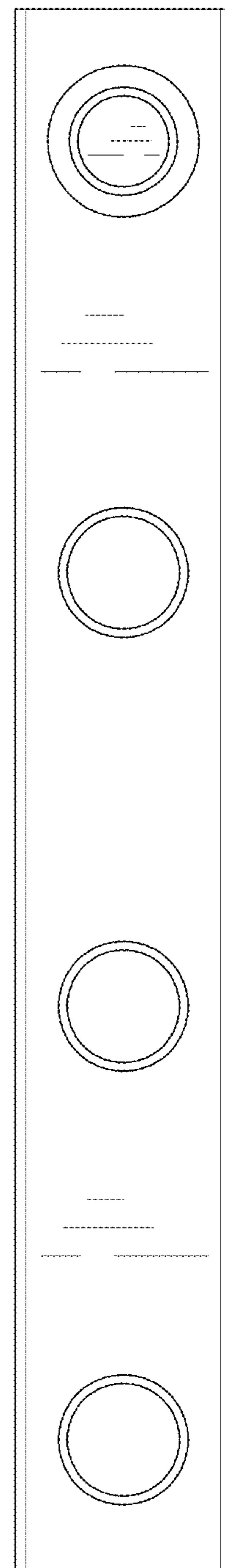
**FIG. 2**



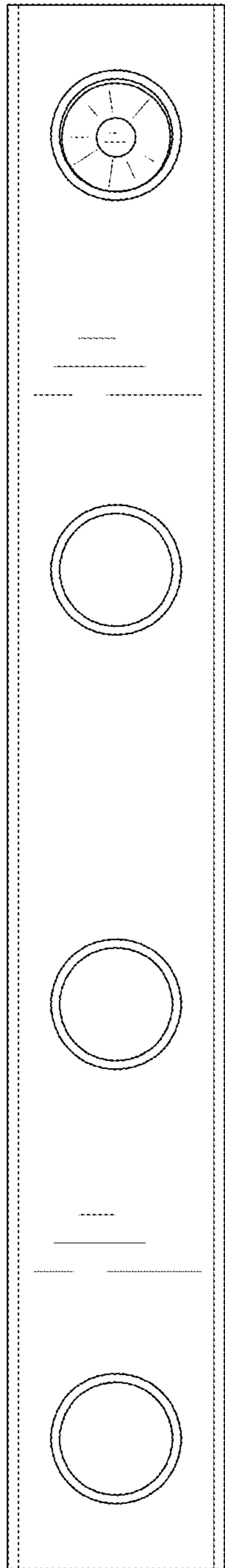
**FIG. 3**



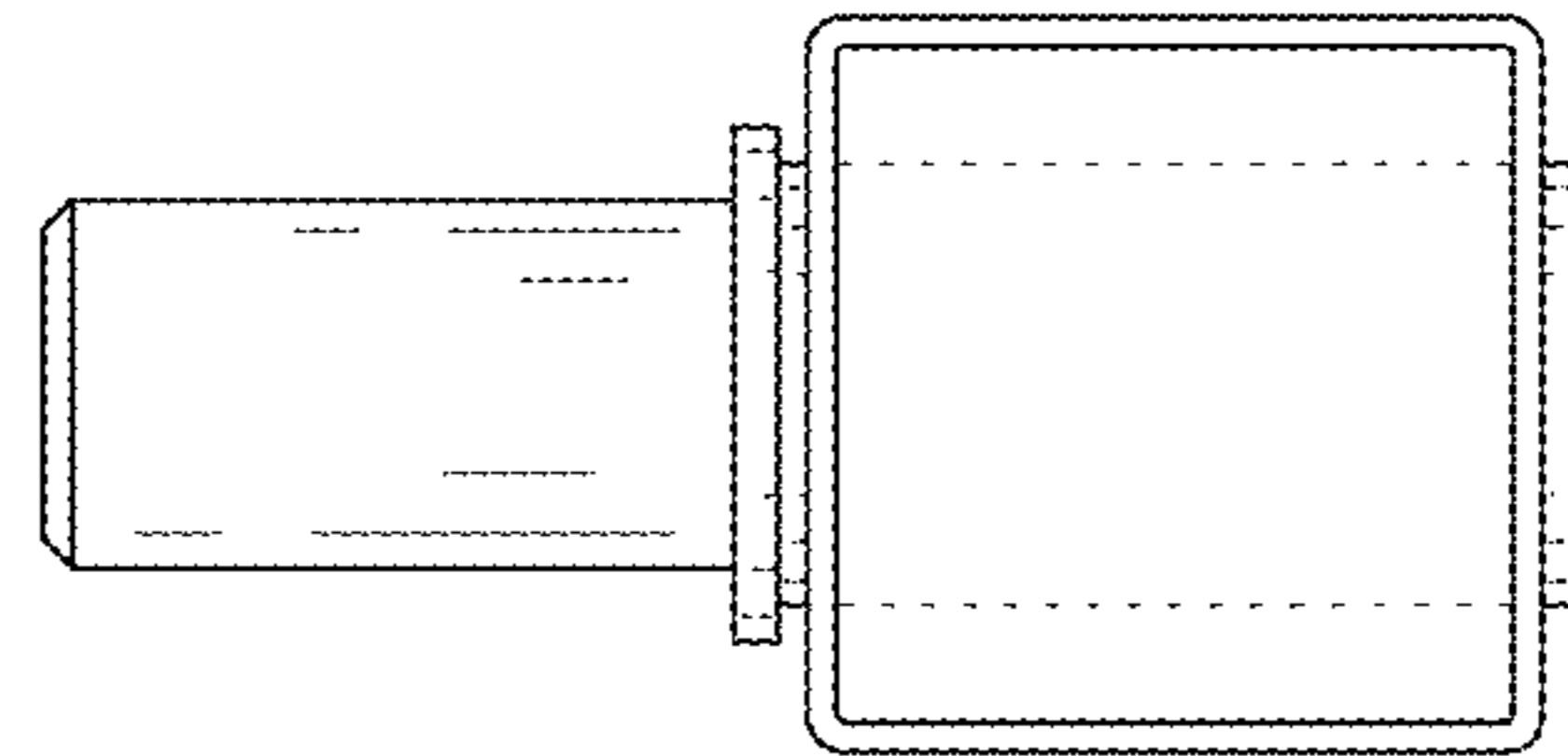
**FIG. 4**



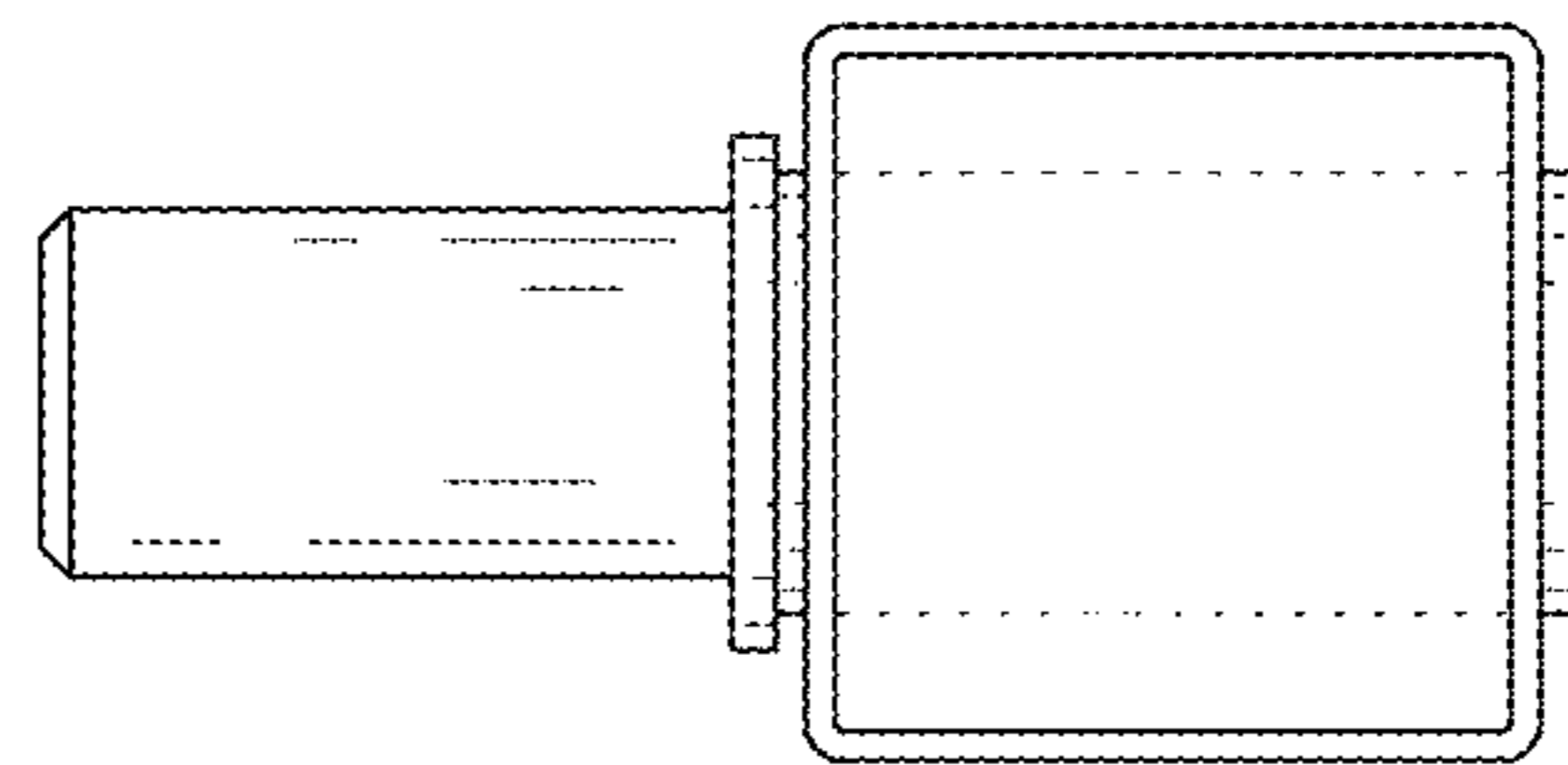
**FIG. 5**



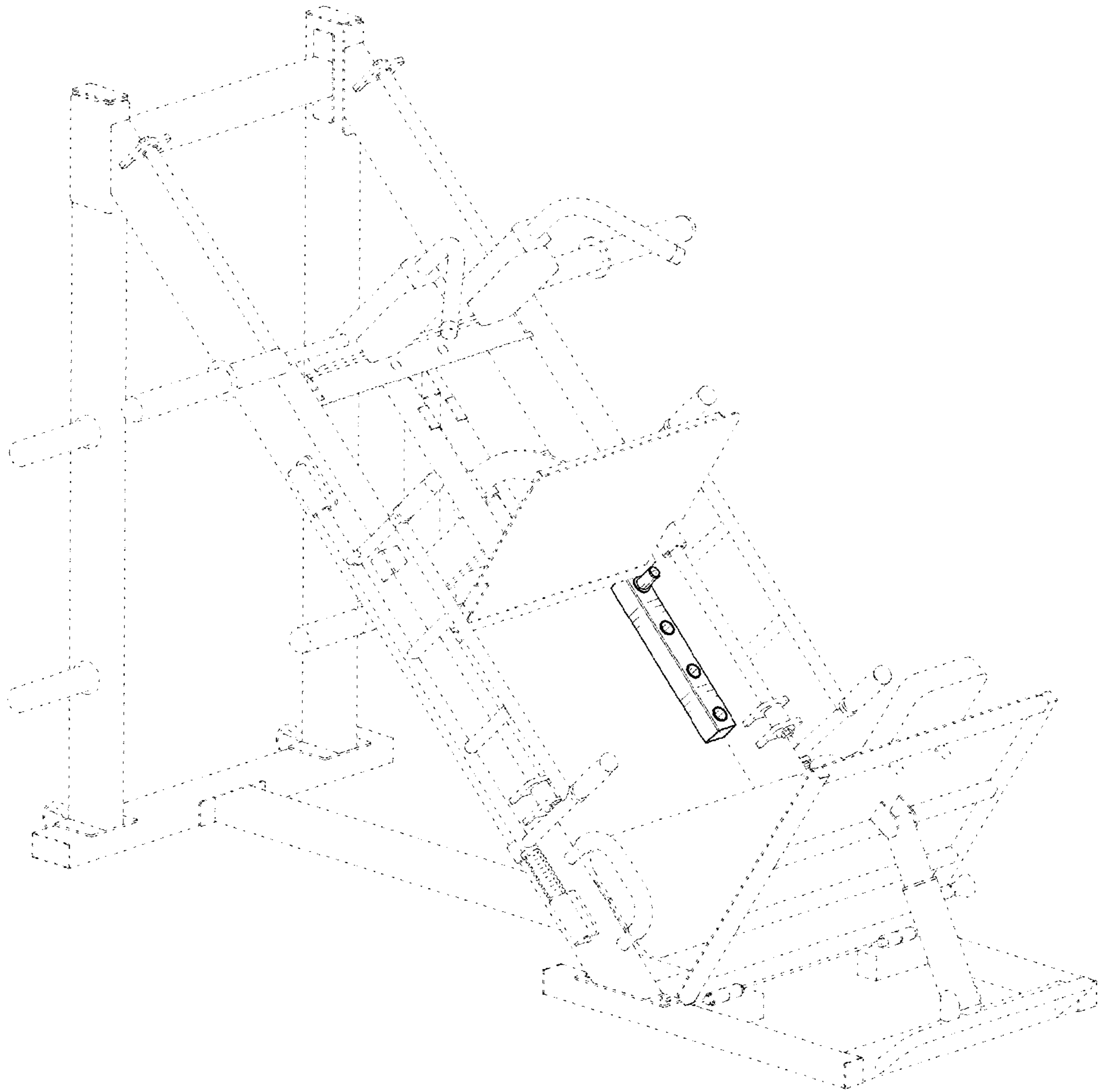
**FIG. 6**



**FIG. 7**



**FIG. 8**



**FIG. 9**