



US00D986987S

(12) **United States Design Patent**
Tian

(10) **Patent No.:** **US D986,987 S**

(45) **Date of Patent:** **** May 23, 2023**

(54) **EXERCISE BIKE**

(71) Applicant: **Mo Technologies Co., Ltd.**, Shanghai (CN)

(72) Inventor: **Wangui Tian**, Shanghai (CN)

(73) Assignee: **MO TECHNOLOGIES CO., LTD.**, Shanghai (CN)

(**) Term: **15 Years**

(21) Appl. No.: **29/726,252**

(22) Filed: **Mar. 2, 2020**

(30) **Foreign Application Priority Data**

Sep. 20, 2019 (CN) 201930518722.X

(51) **LOC (14) Cl.** **21-02**

(52) **U.S. Cl.**
USPC **D21/667**

(58) **Field of Classification Search**
USPC D12/111; D21/538, 662, 663, 698
CPC A63B 71/0622; A63B 2225/50
See application file for complete search history.

(56) **References Cited**

U.S. PATENT DOCUMENTS

D571,417 S *	6/2008	Su	D21/667
D579,989 S *	11/2008	Bingham, Jr.	D21/667
D586,409 S *	2/2009	Keiser	D21/667
D625,762 S *	10/2010	Fon	D21/667
D636,449 S *	4/2011	Wu	D21/667
D649,204 S *	11/2011	Zhang	D21/667
D675,687 S *	2/2013	Fischer	D21/663
D676,508 S *	2/2013	Wu	D21/667
D677,746 S *	3/2013	Baudhuin	D21/667
D682,371 S *	5/2013	Baudhuin	D21/667
D682,954 S *	5/2013	Cornejo	D21/667
D684,223 S *	6/2013	Cornejo	D21/667
D709,566 S *	7/2014	Baudhuin	D21/667

D797,213 S *	9/2017	Golesh	D21/663
D836,733 S *	12/2018	Curbbun	D21/667
D860,339 S *	9/2019	Sun	D21/667

(Continued)

FOREIGN PATENT DOCUMENTS

GB	7307194 A1 *	11/2019
GB	7307194 A2 *	11/2019

(Continued)

OTHER PUBLICATIONS

Echelon, EX-3 Smart Exercise Bike, first available Sep. 8, 2020, echelonfit.uk [online], site visited Jul. 10, 2021], Available from internet URL: <https://echelonfit.uk/products/echelon-connect-indoor-cycling-fitness-bike-ex3> (Year: 2020).*

(Continued)

Primary Examiner — Jack Reickel

Assistant Examiner — Salamah Jordan

(74) *Attorney, Agent, or Firm* — IPro, PLLC

(57) **CLAIM**

The ornamental design for an exercise bike, as shown and described.

DESCRIPTION

FIG. 1 is a left side perspective view of an exercise bike, showing my new design;

FIG. 2 is a perspective view thereof;

FIG. 3 is a front view thereof;

FIG. 4 is a back view thereof;

FIG. 5 is a left side view thereof;

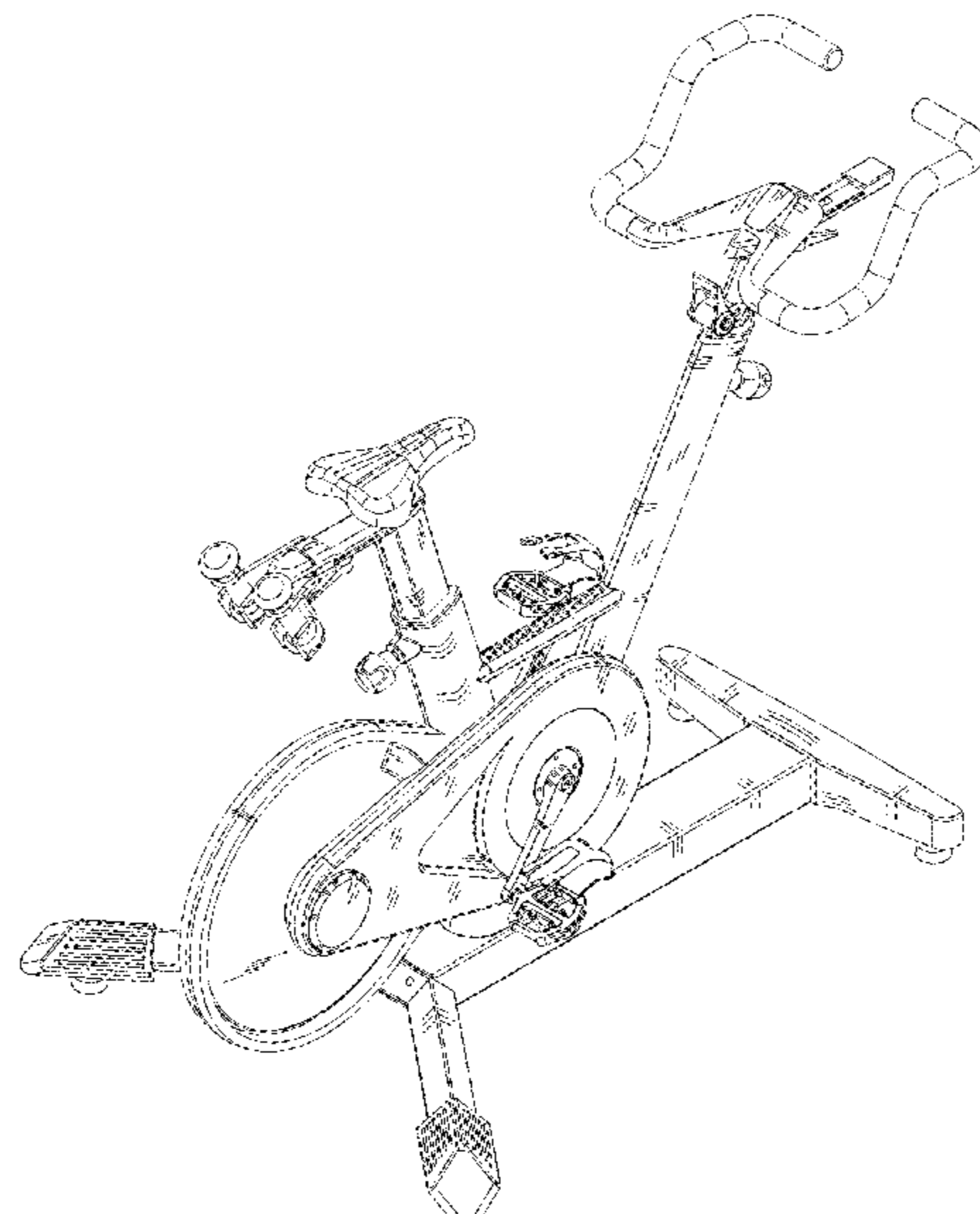
FIG. 6 is a right side view thereof;

FIG. 7 is a top view thereof; and,

FIG. 8 is a bottom view thereof.

The broken lines in the figures illustrate the portions of the design that form no part of the claimed design.

1 Claim, 8 Drawing Sheets



(56)

References Cited

U.S. PATENT DOCUMENTS

D874,584 S * 2/2020 Alessandri D21/663
 D909,497 S * 2/2021 Goldberg D21/667
 D936,760 S * 11/2021 Sun D21/663
 2015/0238808 A1 * 8/2015 Lin A63B 22/0023
 482/57
 2020/0030655 A1 * 1/2020 Wu A63B 21/225
 2020/0147450 A1 * 5/2020 Wu A63B 21/225
 2022/0226691 A1 * 7/2022 Hsieh A63B 21/015
 2022/0362632 A1 * 11/2022 Kwak A63F 13/212

FOREIGN PATENT DOCUMENTS

GB 7307194 A3 * 11/2019
 GB 7974423 A2 * 12/2019

OTHER PUBLICATIONS

Argos, Opti Aerobic Manual Exercise Bike, first available Nov. 18, 2016, argos.co.uk [online], [site visited Jul. 12, 2021], Available

from internet URL: <http://www.argos.co.uk:80/product/6009627> (Year: 2016).*

My Cloud Fitness, Exerpeutic Indoor Cycling Bike, first available Nov. 1, 2020, mycloudfitness.com [online] [site visited Jul. 12, 2021] Available from the internet URL: <https://store.mycloudfitness.com/exerpeutic-spin-bike-1/> (Year: 2020).*

“Nordictrack S10i Studio Cycle Review” Nov. 2, 2018, Youtube, site visited Aug. 29, 2022: <https://www.youtube.com/watch?v=pHTfqvtBTO4> (Year: 2018).*

“Nordictrack S15i vs Bowflex C6 Bike Comparison” Oct. 9, 2021, Youtube, site visited, Aug. 29, 2022: <https://www.youtube.com/watch?v=7bzA67o1uCO> (Year: 2021).*

“Echelon Connect Sport Review” Sep. 4, 2020, Youtube, site visited Dec. 14, 2022: <https://www.youtube.com/watch?v=mGli1yXVC7c> (Year: 2020).*

“Joroto” Dec. 20, 2018, Youtube, site visited Dec. 14, 2022: <https://www.youtube.com/watch?v=IdFM8-dS2yA> (Year: 2018).*

* cited by examiner

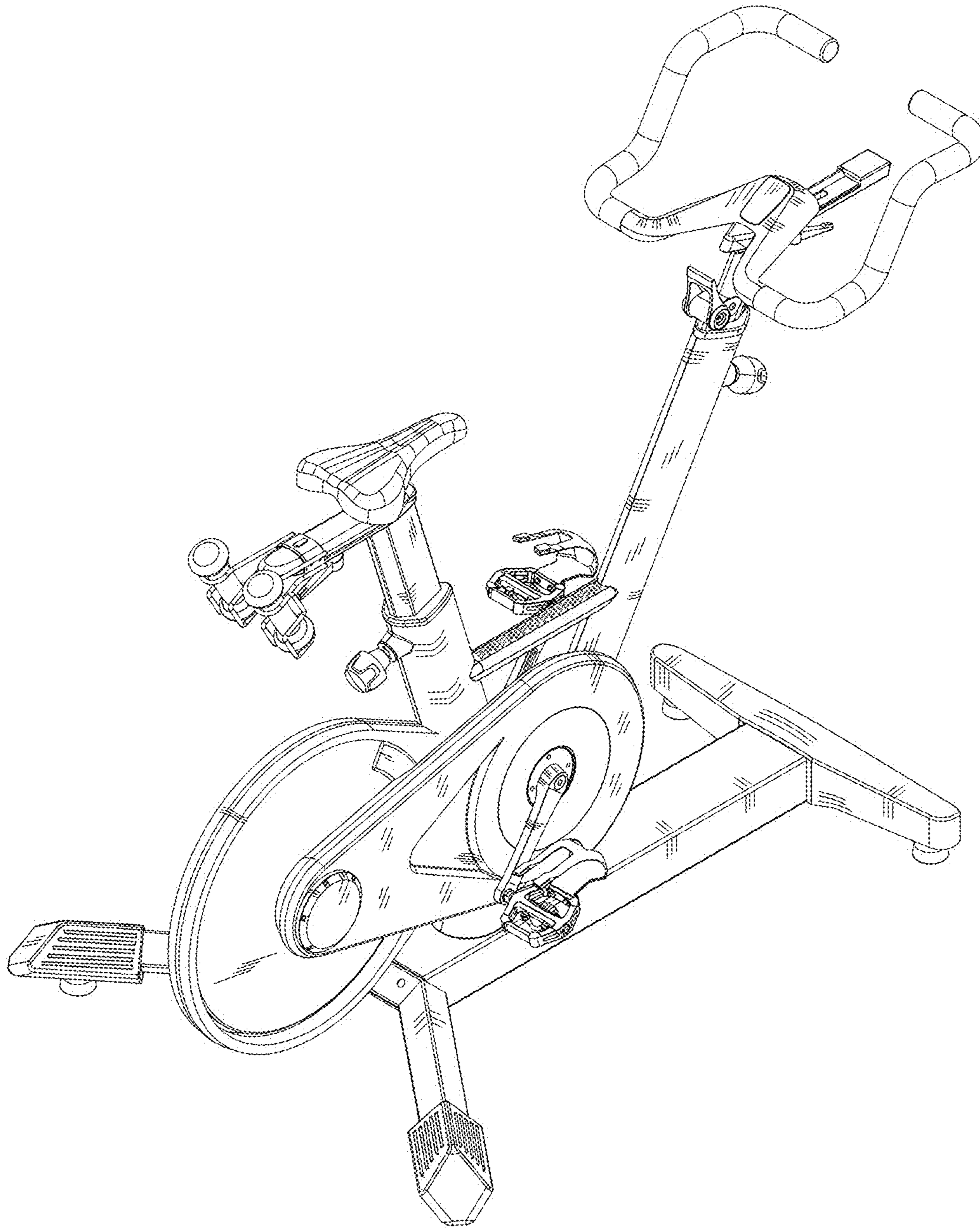


Fig.1

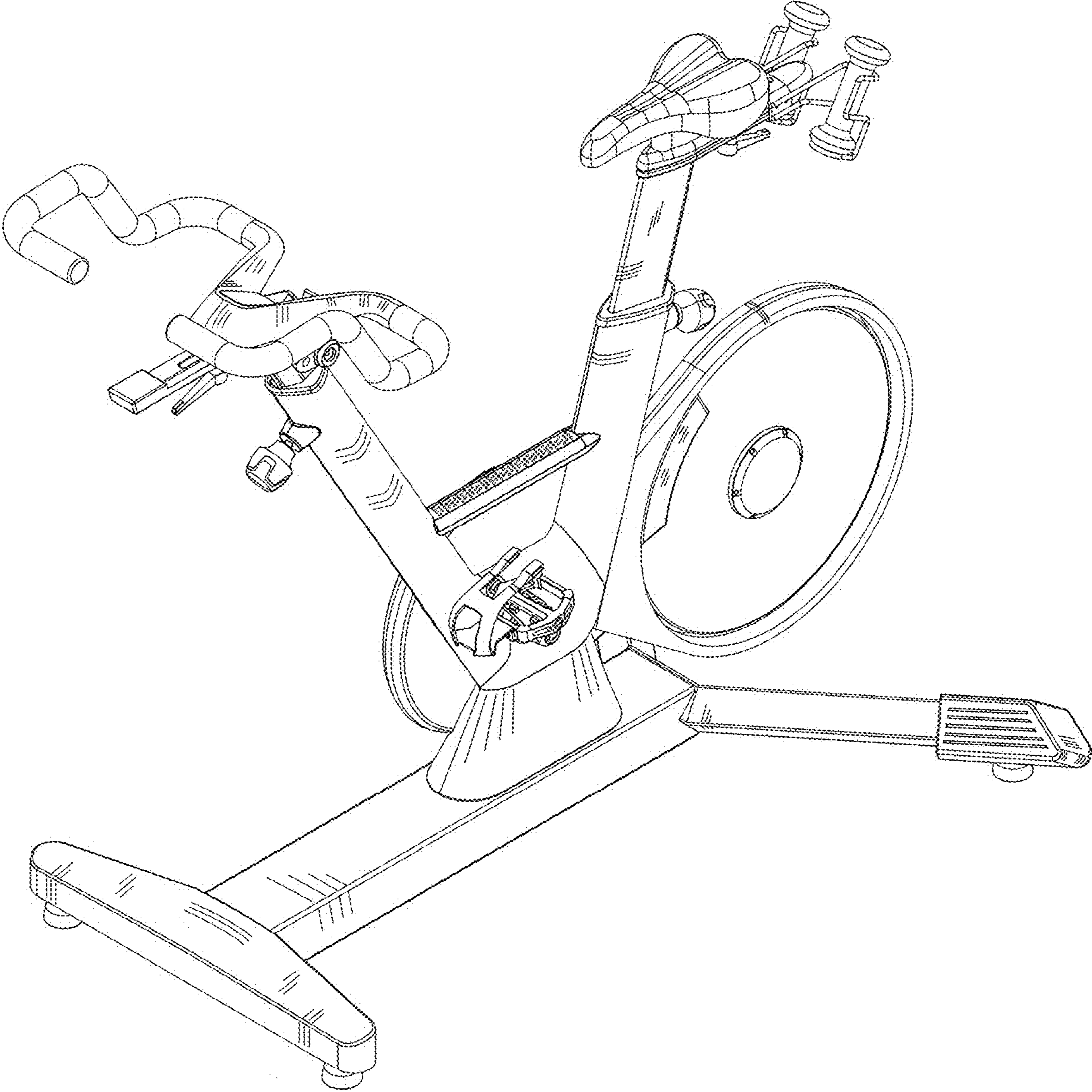


Fig.2

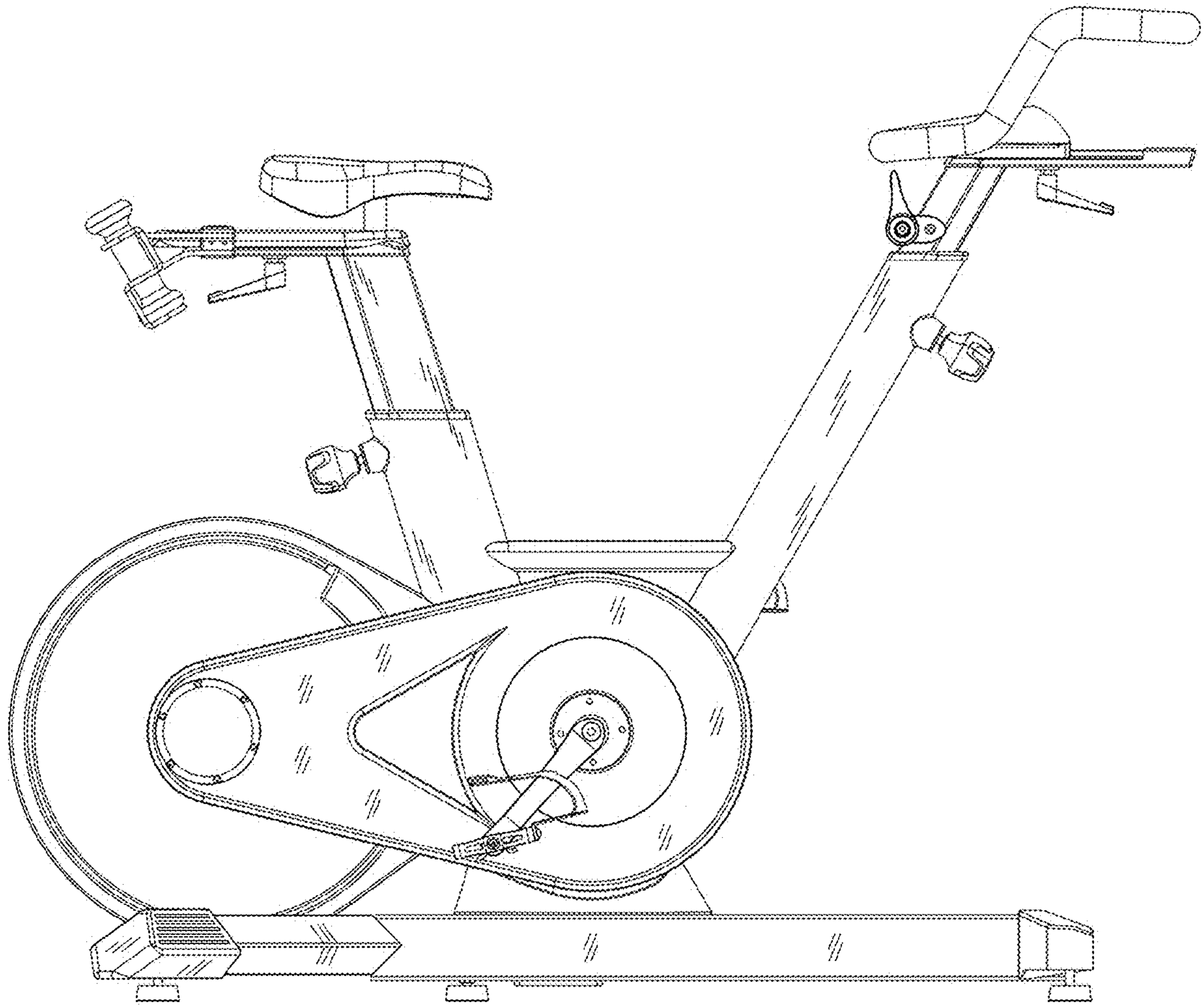


Fig.3

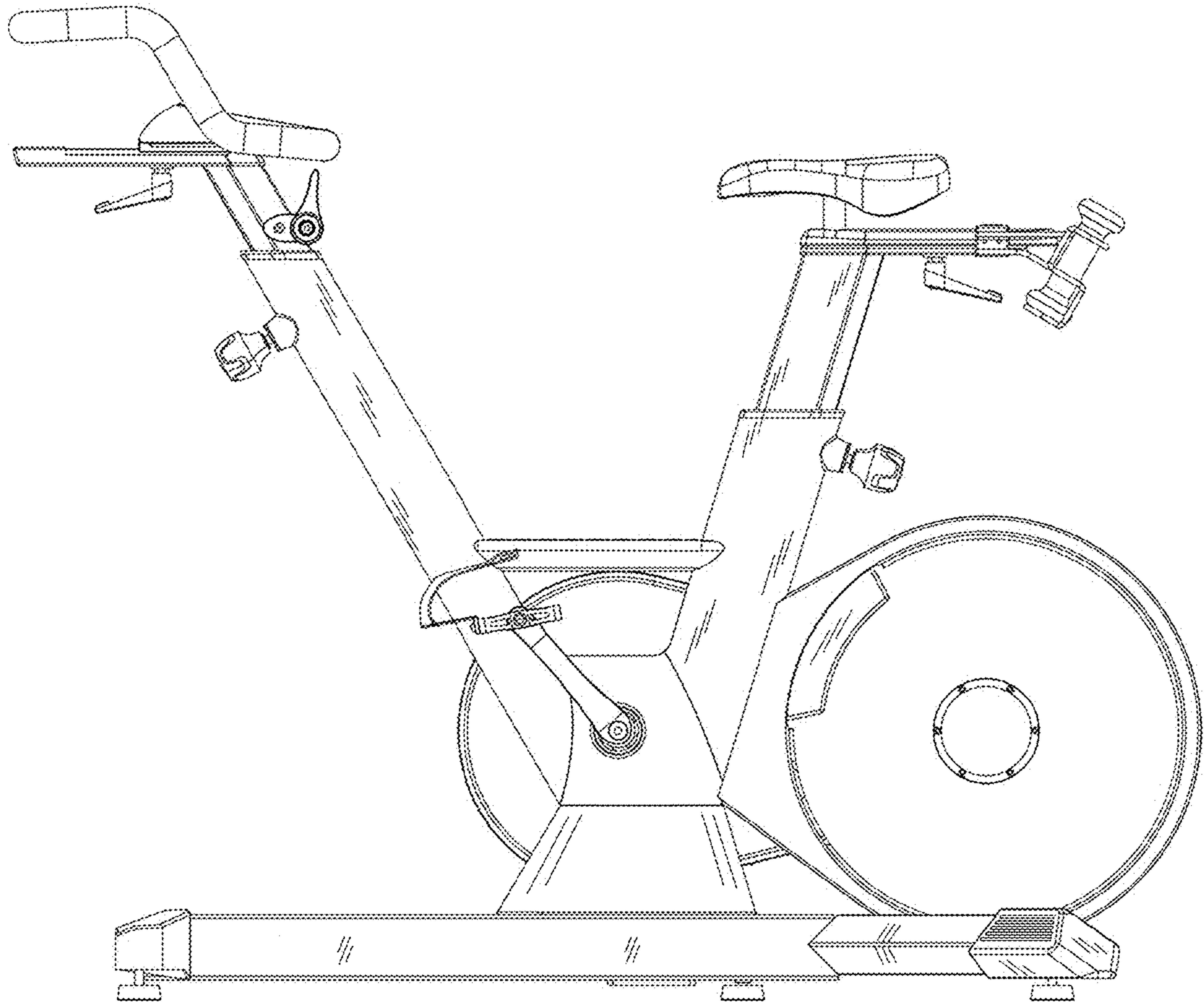


Fig.4

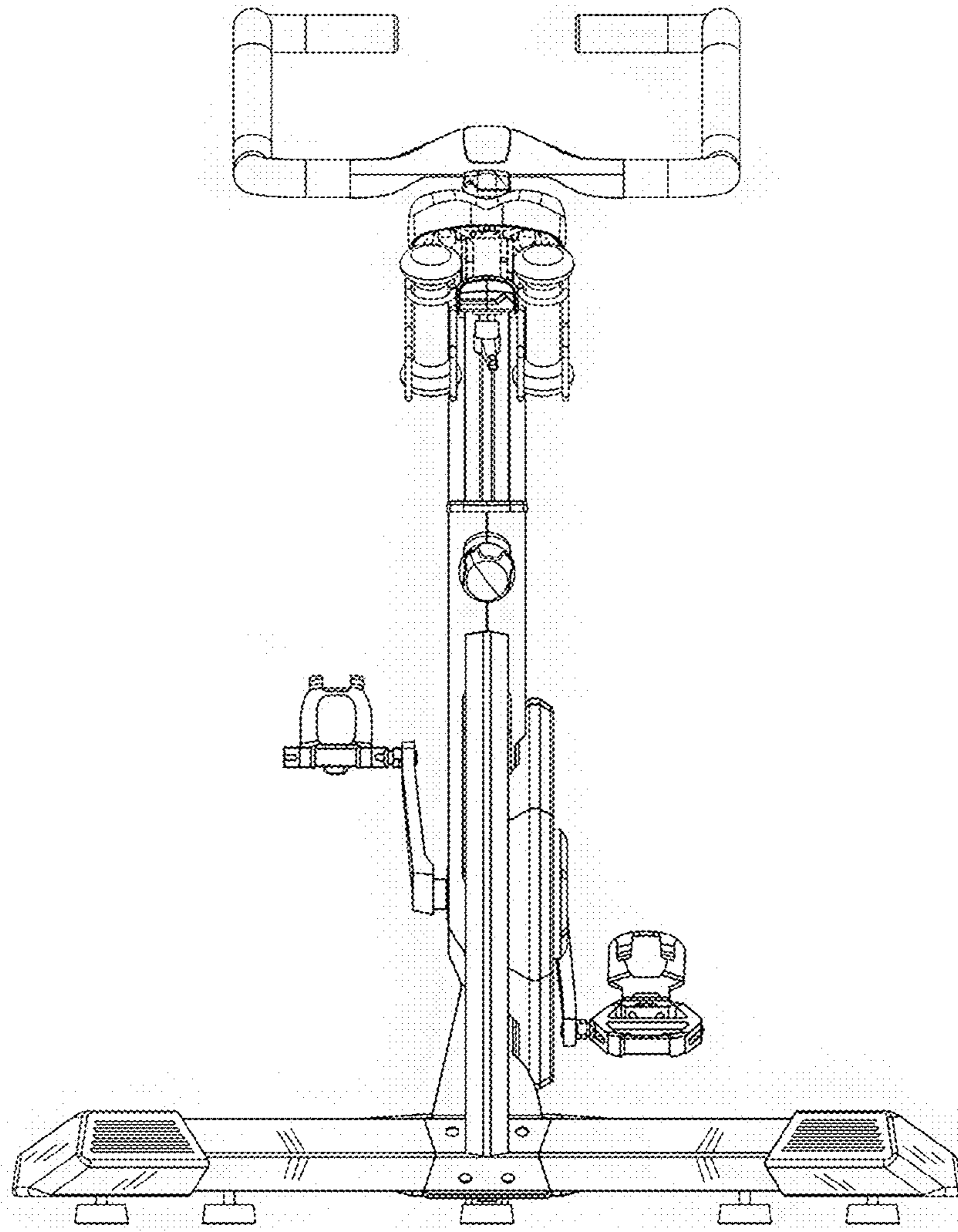


Fig.5

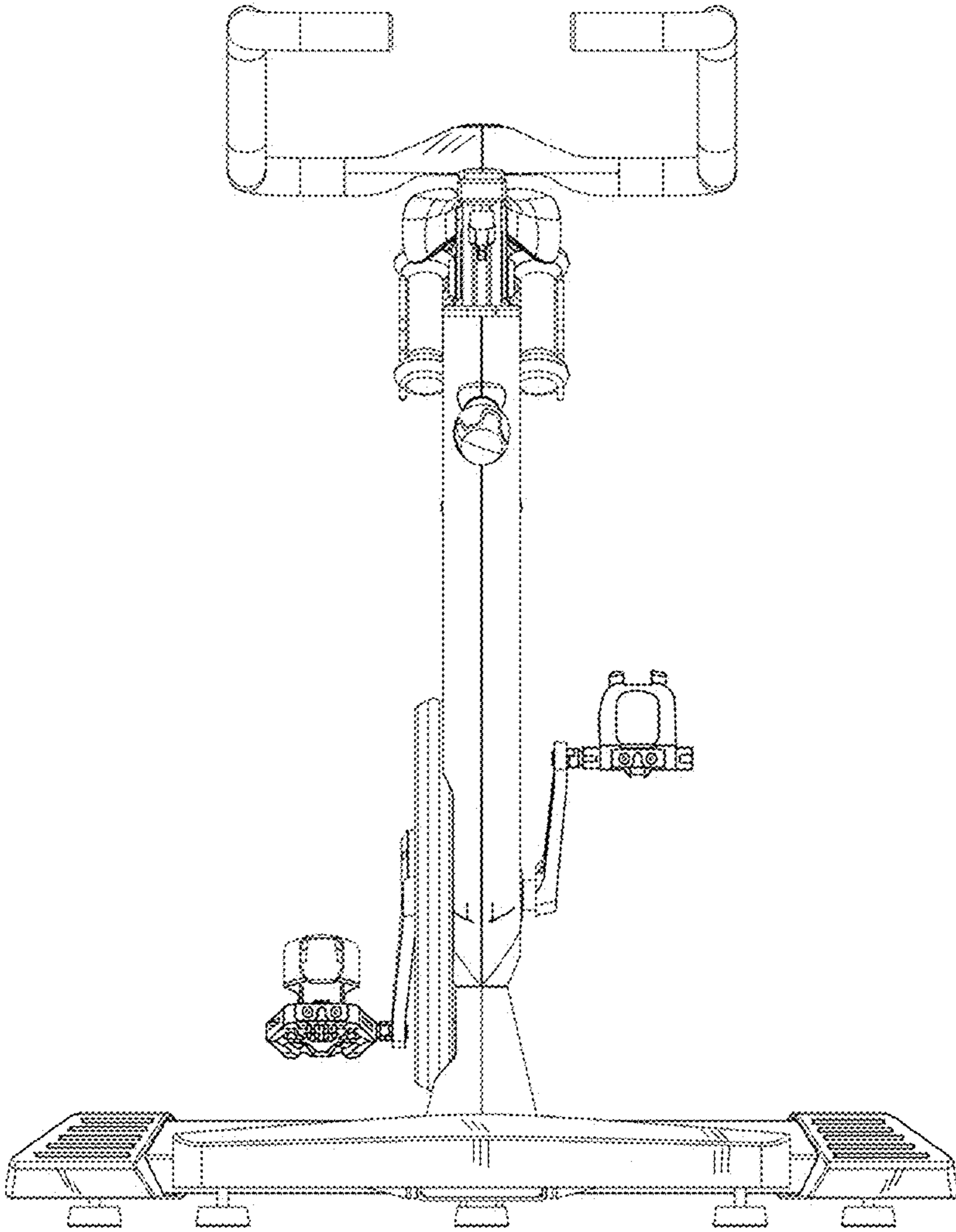


Fig.6

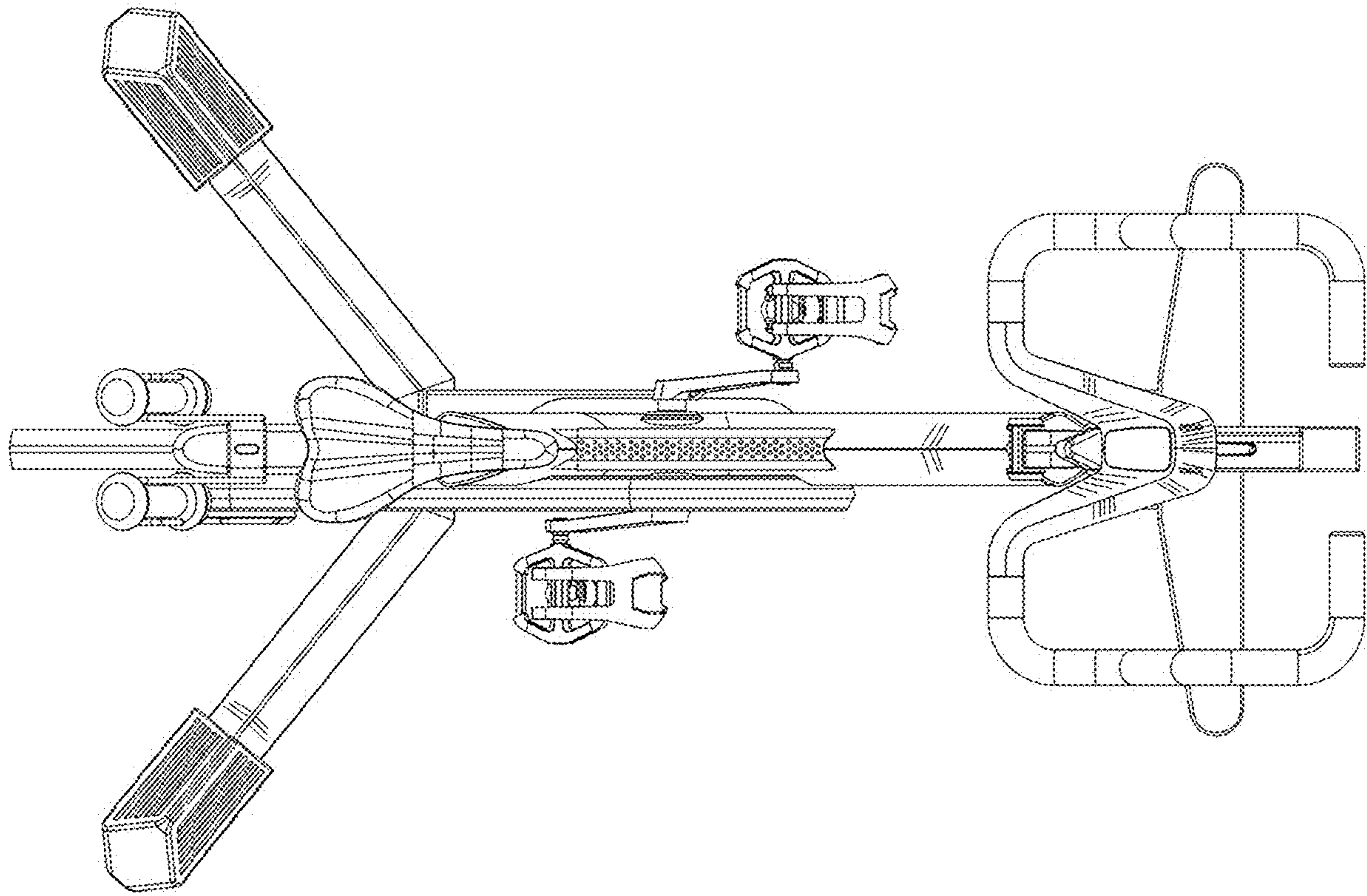


Fig.7

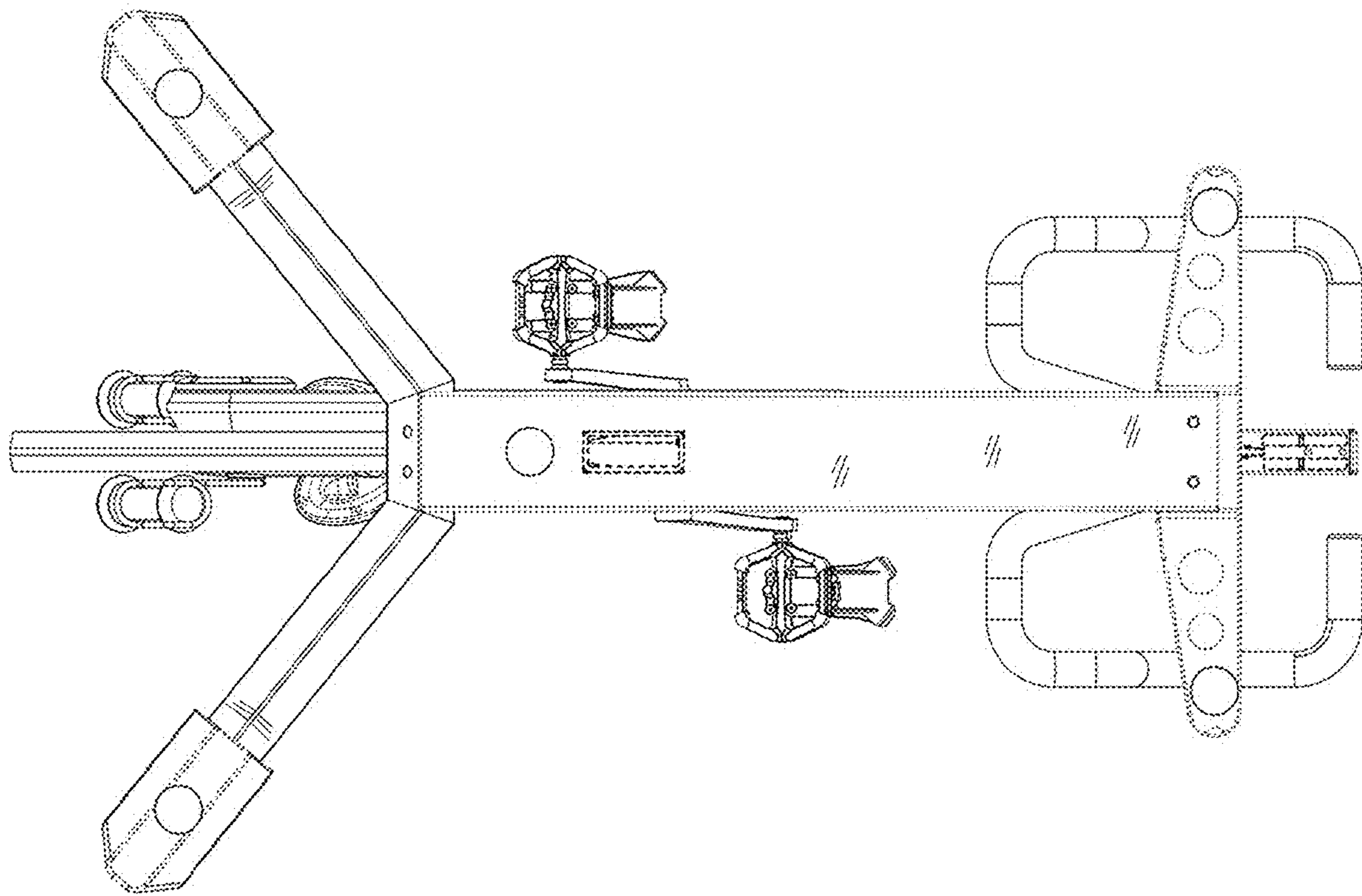


Fig.8