



US00D986984S

(12) **United States Design Patent** (10) **Patent No.:** **US D986,984 S**
Tang (45) **Date of Patent:** **** May 23, 2023**

(54) **HILT FOR LIGHT SWORD**
(71) Applicant: **NINGBO CASCENT INTERNATIONAL TRADE CO., LTD.**, Zhejiang (CN)
(72) Inventor: **Makiyo Tang**, Zhejiang (CN)
(**) Term: **15 Years**
(21) Appl. No.: **29/735,935**
(22) Filed: **May 26, 2020**
(51) **LOC (14) Cl.** **21-01**
(52) **U.S. Cl.**
USPC **D21/567**; D21/568
(58) **Field of Classification Search**
USPC ... D26/37-50, 124, 1, 4, 22, 71, 91, 26, 32;
D21/567, 568; D22/118; D7/650;
D8/107, 355; D16/240; D13/107
CPC F21L 2/00; F21L 4/00; F21L 4/04; F21L
4/08; F21L 19/00; F21L 19/006; F21L
2003/00; F21L 4/005; F21L 4/025; F21L
4/027; F21L 13/00; F21L 13/04; F21L
13/08; B26B 1/10; F41C 27/00; F41C
27/16
See application file for complete search history.

D690,383 S * 9/2013 Sheikh D22/117
D691,691 S * 10/2013 Sheikh D22/117
D736,975 S * 8/2015 Tang D22/117
D740,149 S * 10/2015 Talamo D10/114.9
D748,309 S * 1/2016 Cheng D22/117
D772,456 S * 11/2016 Bertken D26/49
(Continued)

FOREIGN PATENT DOCUMENTS

CN 305120551 * 4/2019
CN 306131197 * 10/2020
(Continued)

OTHER PUBLICATIONS

Ultimate Works Master Q, available on YouTube.com, date posted Sep. 29, 2017, [site visited Feb. 7, 2022], URL: <https://www.youtube.com/watch?v=-3HJJRrjHO8> (Year: 2017).*
(Continued)

Primary Examiner — Dana K Weiland
Assistant Examiner — Emily Anna Saunders
(74) *Attorney, Agent, or Firm* — Runit Ranjit Kanakia

(57) **CLAIM**

The ornamental design for a hilt for light sword, as shown and described.

(56) **References Cited**

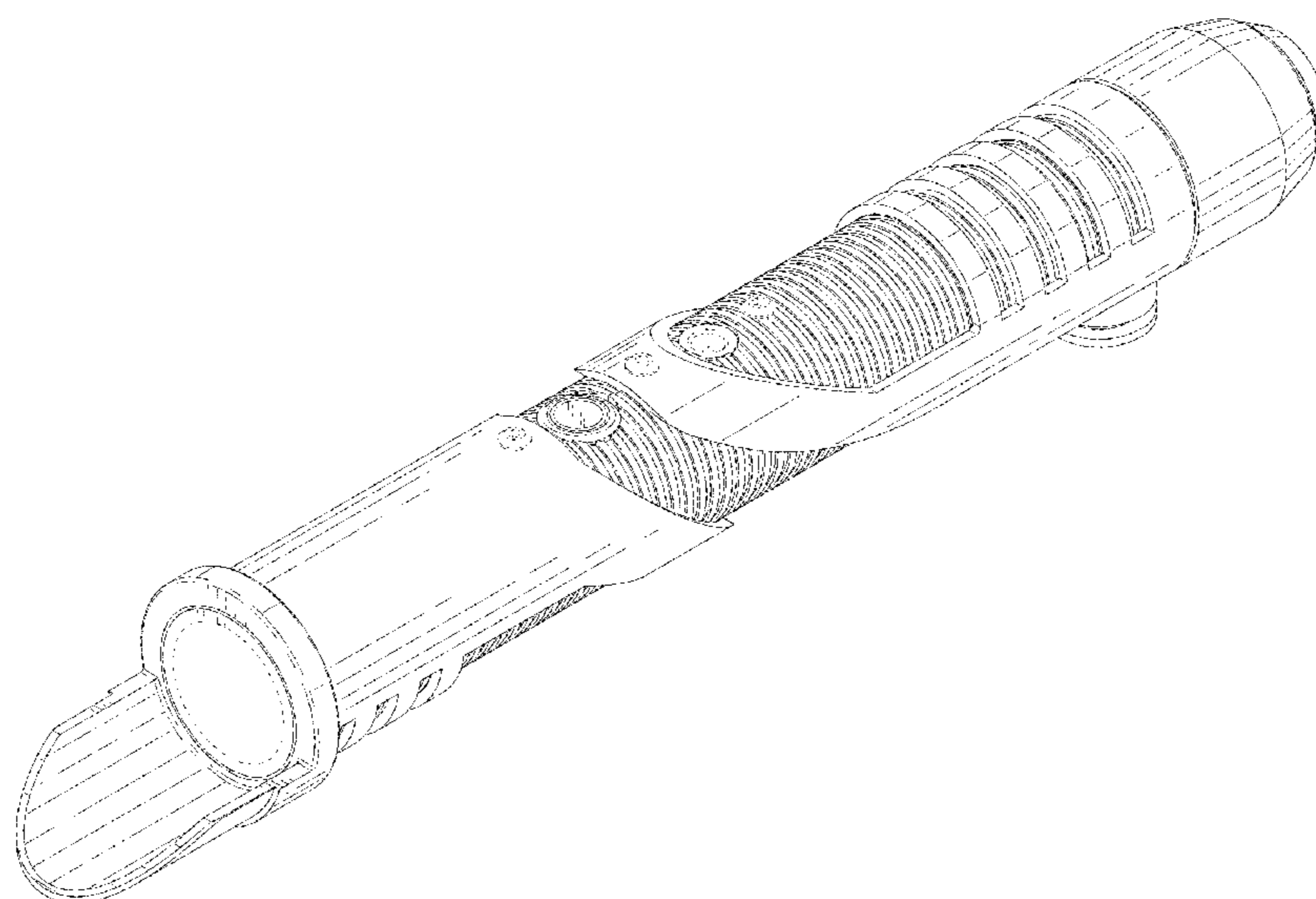
U.S. PATENT DOCUMENTS

D238,604 S * 1/1976 Brindley D26/49
5,383,103 A * 1/1995 Pasch F21L 2/00
362/186
D488,877 S * 4/2004 Shin D26/49
D521,666 S * 5/2006 Chean D26/37
D535,417 S * 1/2007 Martin D26/37
D605,006 S * 12/2009 Shiao D8/107
D625,447 S * 10/2010 Brown D26/49
D643,561 S * 8/2011 Maglica D26/49
D647,232 S * 10/2011 Liu D26/49
D666,344 S * 8/2012 Lee D26/49
D676,994 S * 2/2013 Lee D26/49

DESCRIPTION

FIG. 1 is a front elevational view of a hilt for light sword showing my new design;
FIG. 2 is a rear elevational view thereof;
FIG. 3 is a left side view thereof;
FIG. 4 is a right side view thereof;
FIG. 5 is a top plan view thereof;
FIG. 6 is a bottom plan view thereof; and,
FIG. 7 is a perspective view thereof.
The broken lines in the drawings depict portions of the hilt for light swords that form no part of the claim.

1 Claim, 4 Drawing Sheets



(56)

References Cited

U.S. PATENT DOCUMENTS

D793,595 S * 8/2017 Lesperance D26/37
 D796,366 S * 9/2017 Talamo D10/114.9
 D835,314 S * 12/2018 Sun D26/43
 D861,215 S * 9/2019 Sharrah D26/49
 D887,246 S * 6/2020 Chang D8/107
 D899,647 S * 10/2020 Shan D26/49
 D940,366 S * 1/2022 Cran D26/37
 D940,936 S * 1/2022 Sharrah D26/37
 D940,937 S * 1/2022 Sharrah D26/37
 D955,019 S * 6/2022 Saboo D26/37
 D967,919 S * 10/2022 Lai D22/108
 2002/0149928 A1 * 10/2002 Watterson F21L 15/06
 362/205
 2009/0295310 A1 * 12/2009 Duerr F21L 4/027
 362/183
 2010/0157582 A1 * 6/2010 Bertken F21L 4/02
 362/158
 2020/0396806 A1 * 12/2020 Parsons H05B 45/46
 2022/0046908 A1 * 2/2022 Saboo A01M 1/223

FOREIGN PATENT DOCUMENTS

CN 306204811 * 12/2020
 CN 306375071 * 3/2021
 CN 306375082 * 3/2021
 CN 306424199 * 3/2021
 CN 306443631 * 4/2021
 CN 306504305 * 4/2021
 CN 306863222 * 10/2021

OTHER PUBLICATIONS

Lorsaberus Lightsaber, available on Amazon.co.uk, date first available Aug. 22, 2021, [site visited Feb. 7, 2022], URL: <https://www.amazon.co.uk/Lorsaberus-Lightsaber-Changeable-Dueling-Lightsabers/dp/B09DBJPLRK/> (Year: 2021).*

WF Master Q-FlyTe, available on thepachstore.com, date available May 1, 2021, [site visited Feb. 7, 2022], URL: <https://www.thepachstore.com/collections/custom-sabers/products/qflyte> (Year: 2021).*

Light Saber for Kids & Adults, available on Amazon.com, oldest customer review Sep. 8, 2021, [site visited Feb. 7, 2022], URL: <https://www.amazon.com/Lightsaber-Adults-Realistic-Dueling-TSKE13Black/dp/B092HR6L21/> (Year: 2021).*

LGT Lightsaber—Smooth Swing Force, available on aliexpress.com, oldest customer review Aug. 18, 2021, [site visited Feb. 7, 2022], URL: <https://www.aliexpress.com/item/1005001683557786.html> (Year: 2022).*

YDDSabers Lightsaber, available on Amazon.com, oldest customer review Dec. 30, 2019, [site visited Feb. 7, 2022], URL: <https://www.amazon.com/Lightsaber-Aluminum-Premium-Changing-Support/dp/B081GVZTJR/> (Year: 2019).*

Got Saberforge? Massive lightsaber unboxing, available on YouTube.com, posted Sep. 6, 2016, [site visited Feb. 7, 2022], URL: https://www.youtube.com/watch?v=gj4F7_awAjM (Year: 2016).*

Lightsaber RGB, available on Amazon.com, date first available Nov. 17, 2021, [site visited Feb. 7, 2022], URL: <https://www.amazon.com/Lightsaber-Light-Sabers-Dueling-Smooth/dp/B09M3JF8C9/> (Year: 2021).*

Lightsaber Design, available on Pinterest.com, [site visited Feb. 7, 2022], URL: <https://www.pinterest.com/pin/509962357802361318/> (Year: 2022).*

R1 D.I.Y. Lightsaber Hilt, available on etsy.com, oldest customer review with photo Oct. 16, 2018, [site visited Feb. 7, 2022], URL: <https://www.etsy.com/listing/528639801/r1-diy-lightsaber-hilt> (Year: 2018).*

Grab Bag Saber / Construct Your Lightsaber, available on ultrasaber.com, oldest customer review Jun. 12, 2015, [site visited Feb. 7, 2022], URL: <https://ultrasabers.com/product/grab-bag-saber/?opZero=sel> (Year: 2015).*

* cited by examiner

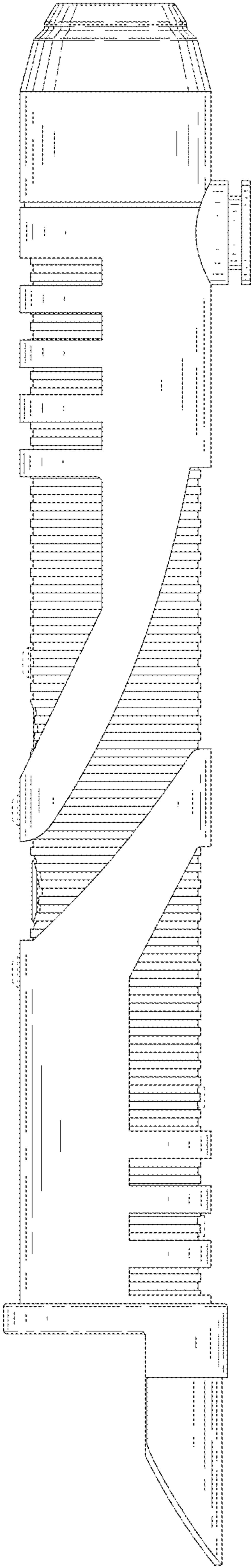


FIG. 1

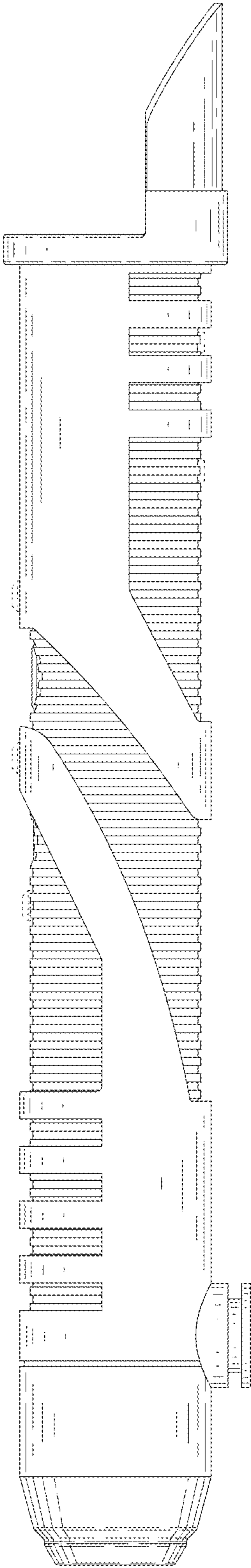


FIG. 2

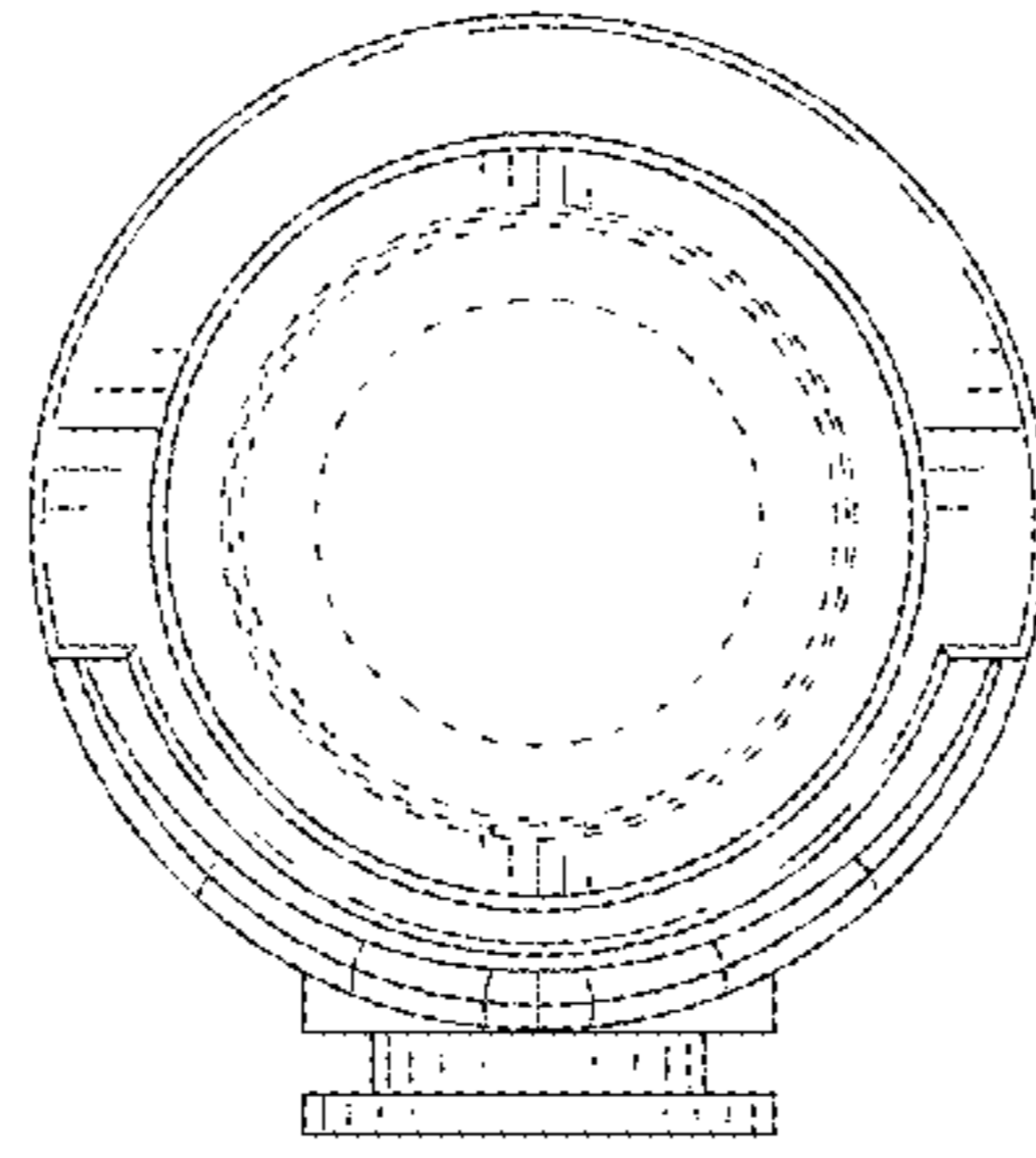


FIG. 3

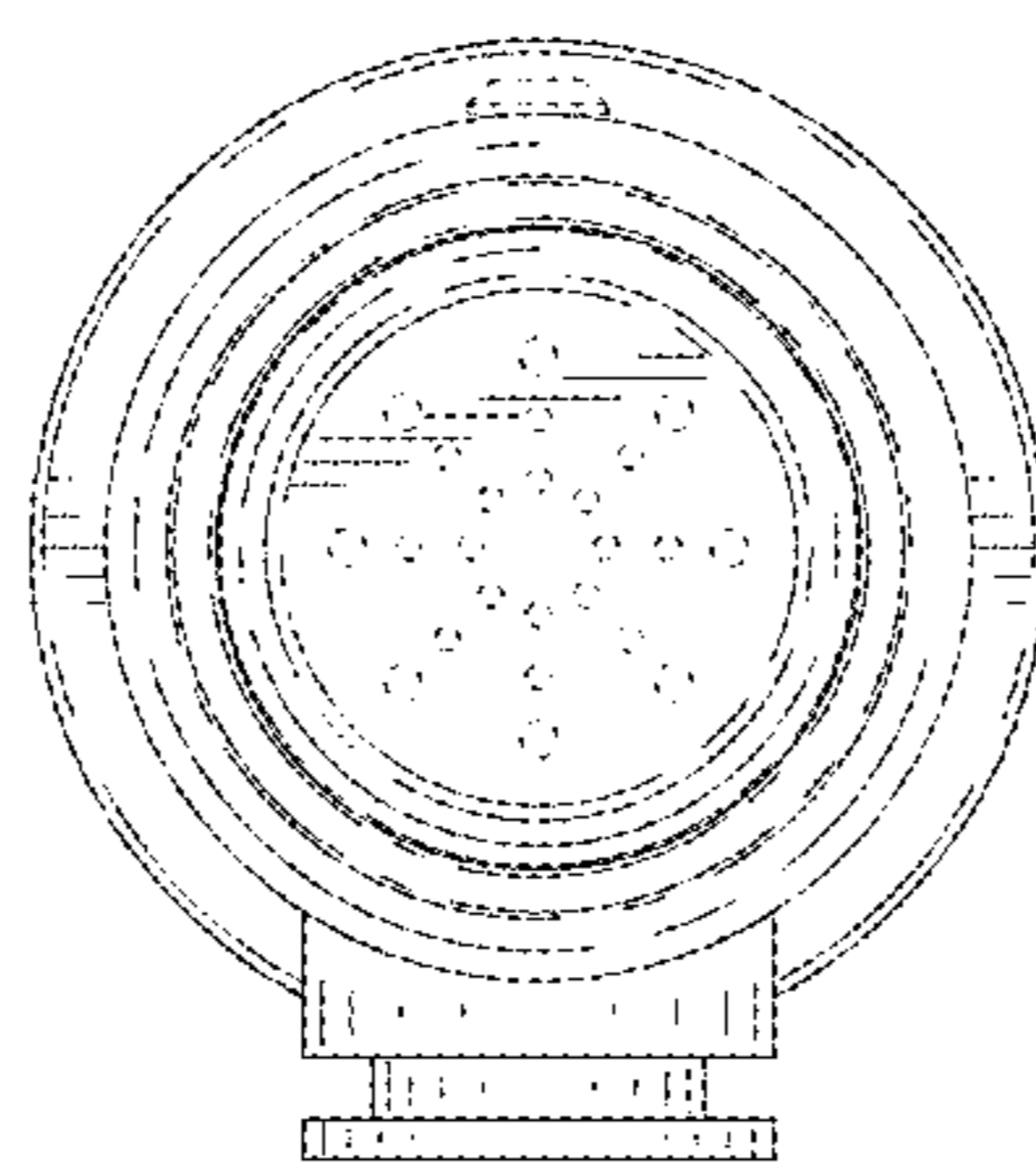


FIG. 4

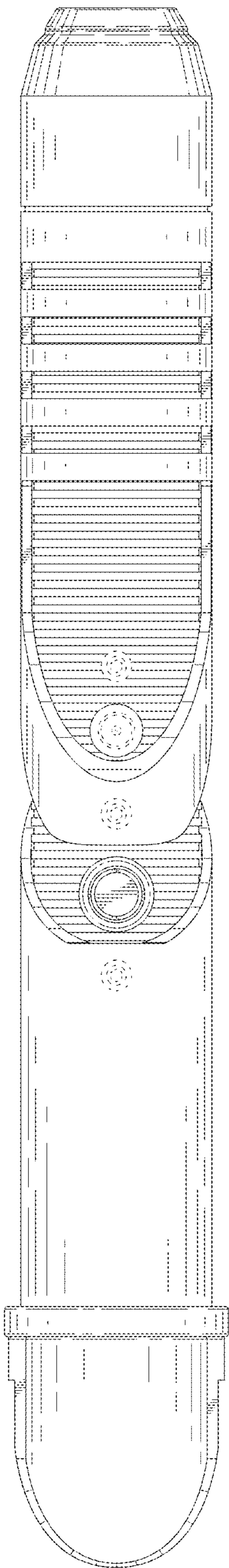


FIG. 5

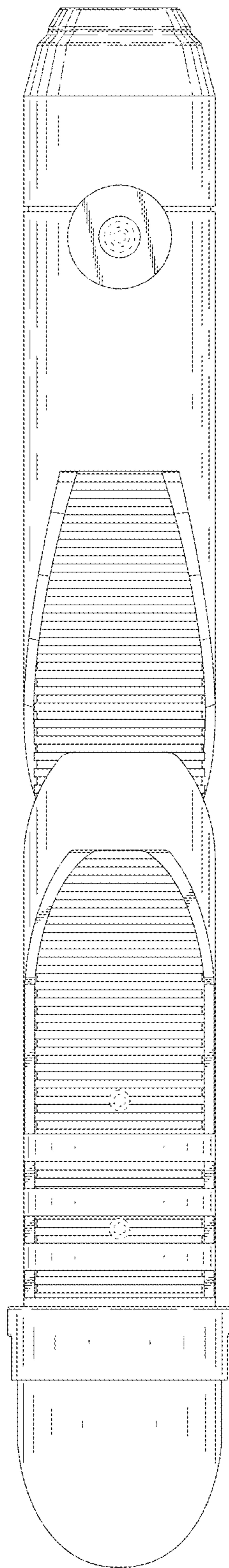


FIG. 6

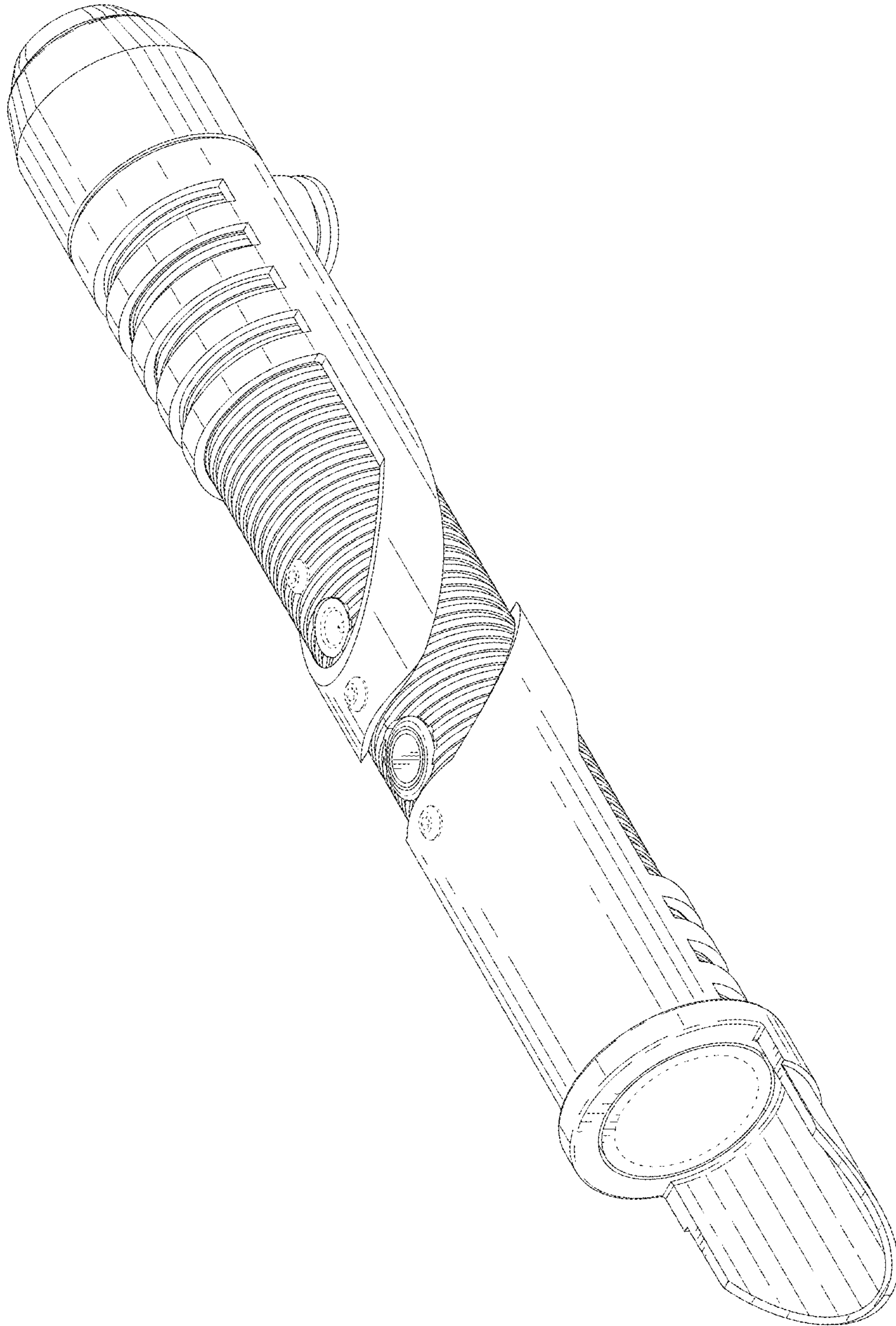


FIG. 7