



US00D986983S

(12) **United States Design Patent** (10) **Patent No.:** **US D986,983 S**
Kvesic (45) **Date of Patent:** **** May 23, 2023**

(54) **TOY**
(71) Applicant: **Bruder Spielwaren GmbH + Co. KG,**
Fürth (DE)
(72) Inventor: **Goran Kvesic,** Fürth (DE)
(73) Assignee: **BRUDER SPIELWAREN GMBH +**
CO. KG, Fürth (DE)
(**) Term: **15 Years**

D918,312 S * 5/2021 Manzoni D12/92
D920,162 S * 5/2021 Iida D12/86
D926,891 S * 8/2021 Khubani D21/549
D928,663 S * 8/2021 Manzoni D12/92
D928,891 S * 8/2021 Manzoni D12/91
D930,760 S * 9/2021 Ewing D21/562
D932,371 S * 10/2021 Cattabriga D12/86
D932,372 S * 10/2021 Cattabriga D12/86
D932,373 S * 10/2021 Cattabriga D12/86
D932,374 S * 10/2021 Cattabriga D12/86
D932,560 S * 10/2021 Chen D21/549

(Continued)

(21) Appl. No.: **29/694,319**

OTHER PUBLICATIONS

(22) Filed: **Jun. 10, 2019**

CMJ RC Cars™ Aston Martin Vantage Officially Licensed Remote Control Car., May 5, 2020, Amazon.com, Sep. 22, 2021.URL: <https://www.amazon.co.uk/CMJ-RC-Vantage-Officially-Licensed/dp/B089355634> (Year: 2020).*

(Continued)

(30) **Foreign Application Priority Data**

Dec. 12, 2018 (WO) 970 003 487

(51) **LOC (14) Cl.** **21-01**

(52) **U.S. Cl.**
USPC **D21/549**

(58) **Field of Classification Search**
USPC D21/433, 548, 549, 424; D12/86
CPC B62D 25/00; B62D 25/06; B62D 33/00;
B62D 35/00
See application file for complete search history.

Primary Examiner — Jack Reickel
Assistant Examiner — Keith J Wilson
(74) *Attorney, Agent, or Firm* — McGlew and Tuttle, P.C.

(57) **CLAIM**

The ornamental design for a toy, as shown and described.

(56) **References Cited**

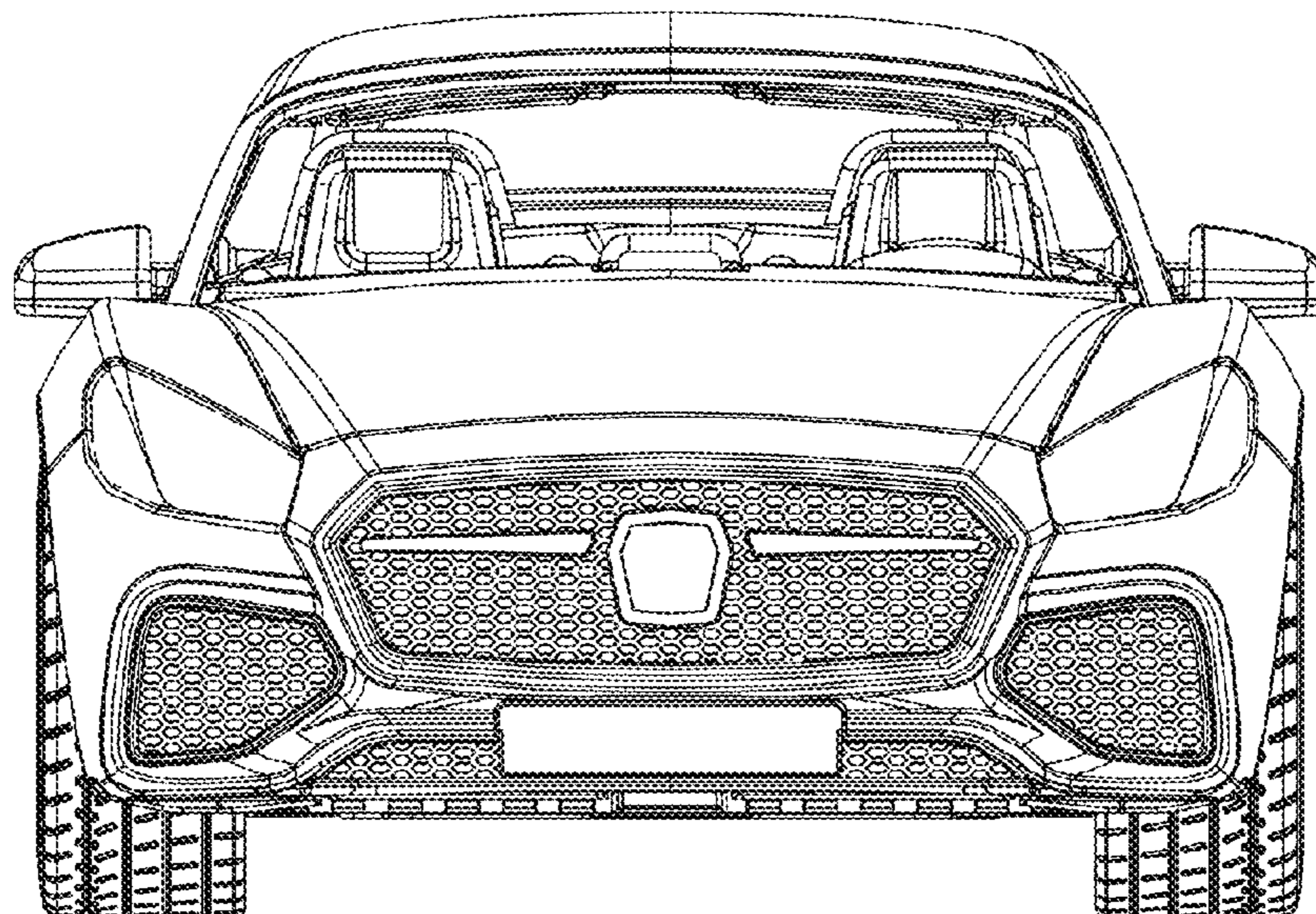
DESCRIPTION

U.S. PATENT DOCUMENTS

D534,222 S * 12/2006 Hill D21/433
D746,382 S * 12/2015 Min D21/433
D835,730 S * 12/2018 Chung D21/548
D838,321 S * 1/2019 Langberg D21/549
D852,899 S * 7/2019 Langberg D21/548
D870,823 S * 12/2019 Manzoni D21/548
D879,208 S * 3/2020 Talios D21/433
D904,527 S * 12/2020 Talios D21/433
D908,814 S * 1/2021 Wozniak D21/548
D913,154 S * 3/2021 Hsu D12/86
D913,845 S * 3/2021 Cattabriga D12/86
D915,239 S * 4/2021 Cattabriga D12/86

FIG. 1 is a front view of a toy, showing my new design;
FIG. 2 is a rear view thereof;
FIG. 3 is a top view thereof;
FIG. 4 is a bottom view thereof;
FIG. 5 is a lateral view (right side) thereof;
FIG. 6 is a lateral view (left side) thereof; and,
FIG. 7 is a perspective view thereof.
The broken line showing of the claim is included for the purpose of illustrating portion of a toy and forms no part of the claimed design.

1 Claim, 7 Drawing Sheets



(56)

References Cited

U.S. PATENT DOCUMENTS

D932,561	S	*	10/2021	Chen	D21/549
D933,138	S	*	10/2021	Lenglin	D21/548
D934,116	S	*	10/2021	Janin	D12/86
D936,755	S	*	11/2021	Khubani	D21/549
D937,120	S	*	11/2021	Wu	D12/86
D940,254	S	*	1/2022	Lin	D21/548
D940,589	S	*	1/2022	Nakamura	D12/86
D941,933	S	*	1/2022	Li	D21/549
D942,315	S	*	2/2022	Cattabriga	D11/163
D942,316	S	*	2/2022	Cattabriga	D11/163
D942,323	S	*	2/2022	Cattabriga	D12/86
D942,324	S	*	2/2022	Cattabriga	D12/86
D942,325	S	*	2/2022	Cattabriga	D12/86
D942,326	S	*	2/2022	Cattabriga	D12/86
D947,717	S	*	4/2022	Cattabriga	D12/86
D949,052	S	*	4/2022	Shin	D12/86

OTHER PUBLICATIONS

CMJ RC Cars™ Lamborghini Aventador LP700-4 Officially Licensed Remote Control Car, Jul. 22, 2015, Amazon.co.uk. Sep. 22, 2021,

URL: <https://www.amazon.co.uk/Lamborghini-Aventador-Official-Licensed-Controlled/dp/B012B7FX60> (Year: 2015).*

Qun Feng RC Car 1:18 Lamborghini Aventador Radio Remote Control, Apr. 6, 2018, amazon.ca, Jan. 11, 2022, URL: <https://www.amazon.ca/QUN-FENG-Car-Lamborghini-Aventador/dp/B07CBN3NFX> (Year: 2018).*

Tamiya 24090 1/24 Nissan Skyline GTR, Jan. 20, 2013, amazon.ca, Jan. 11, 2022, URL: <https://www.amazon.ca/Tamiya-24090-Nissan-Skyline-japan/dp/B000WN57X0> (Year: 2013).*

Nissan Fairlady 300ZX Turbo, Feb. 16, 2012, amazon.ca, Feb. 16, 2012, Jan. 11, 2022, URL: <https://www.amazon.ca/Nissan-Fairlady-300ZX-Plastic-Tamiya/dp/B00061HJFC> (Year: 2012).*

Maisto International, Inc 1:24 Assembly Line 2015 Ford Mustang GT—Red, May 12, 2015, amazon.ca, Apr. 19, 2022, URL: <https://www.amazon.ca/Maisto-39126-2015-Ford-Mustang/dp/B00IEAI1ZY/> (Year: 2015).*

Tamiya 24319 Lexus Lfa 1:24 Plastic Kit, Jan. 20, 2013, amazon.ca, Apr. 19, 2022, URL: <https://www.amazon.ca/Tamiya-24319-Lexus-Lfa-Plastic/dp/B004DZP4Y0/> (Year: 2013).*

* cited by examiner

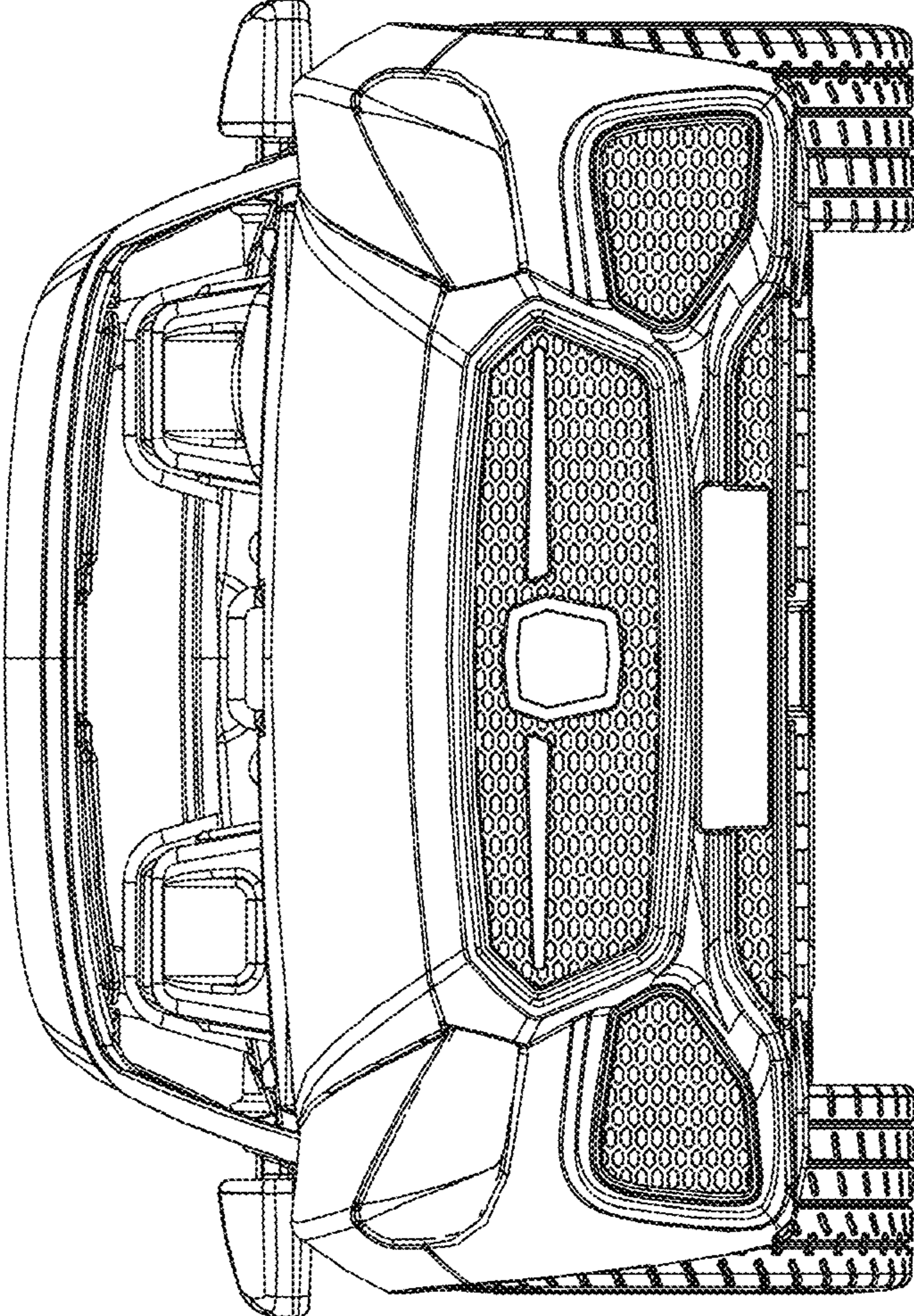


Fig. 1

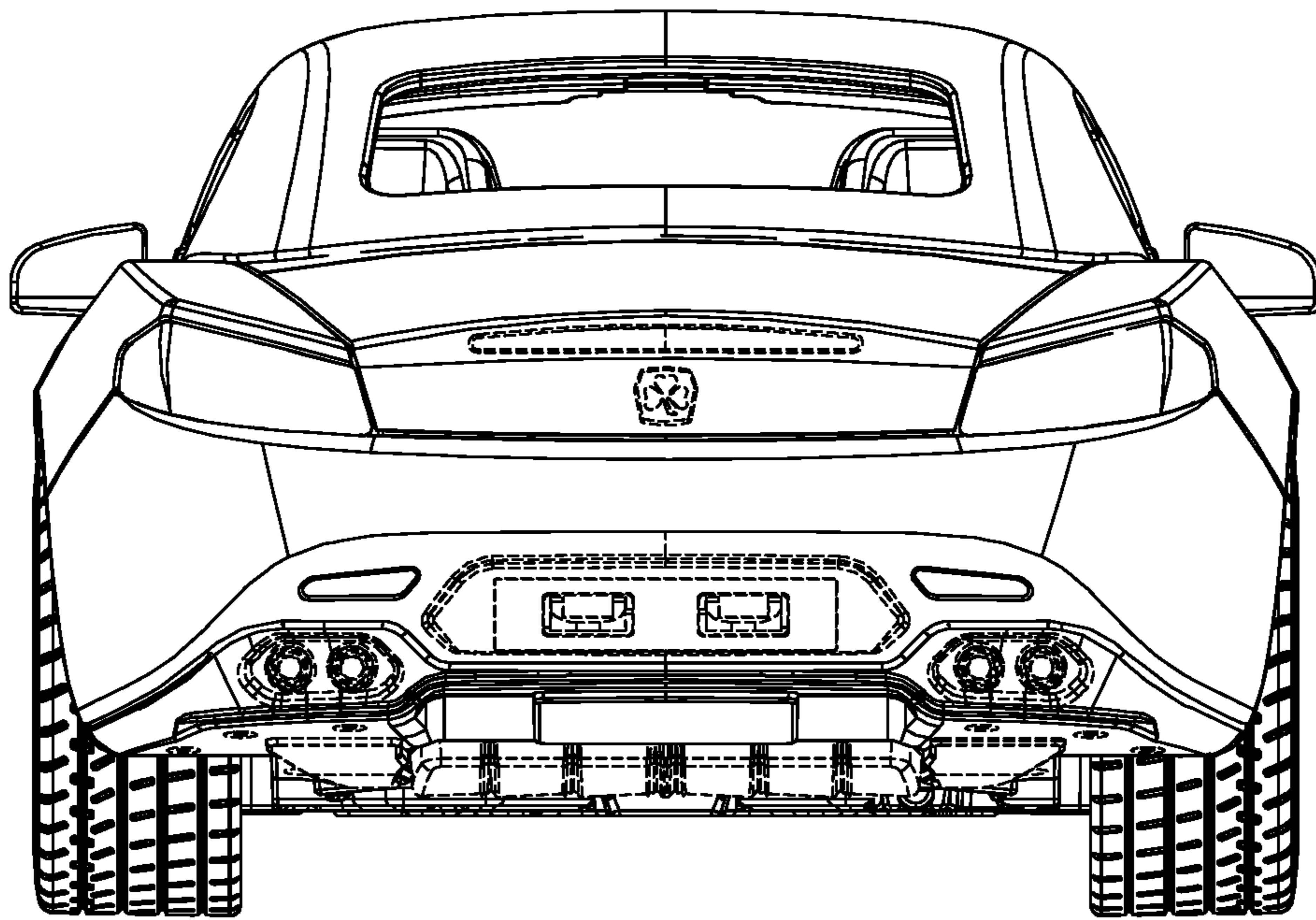


Fig. 2

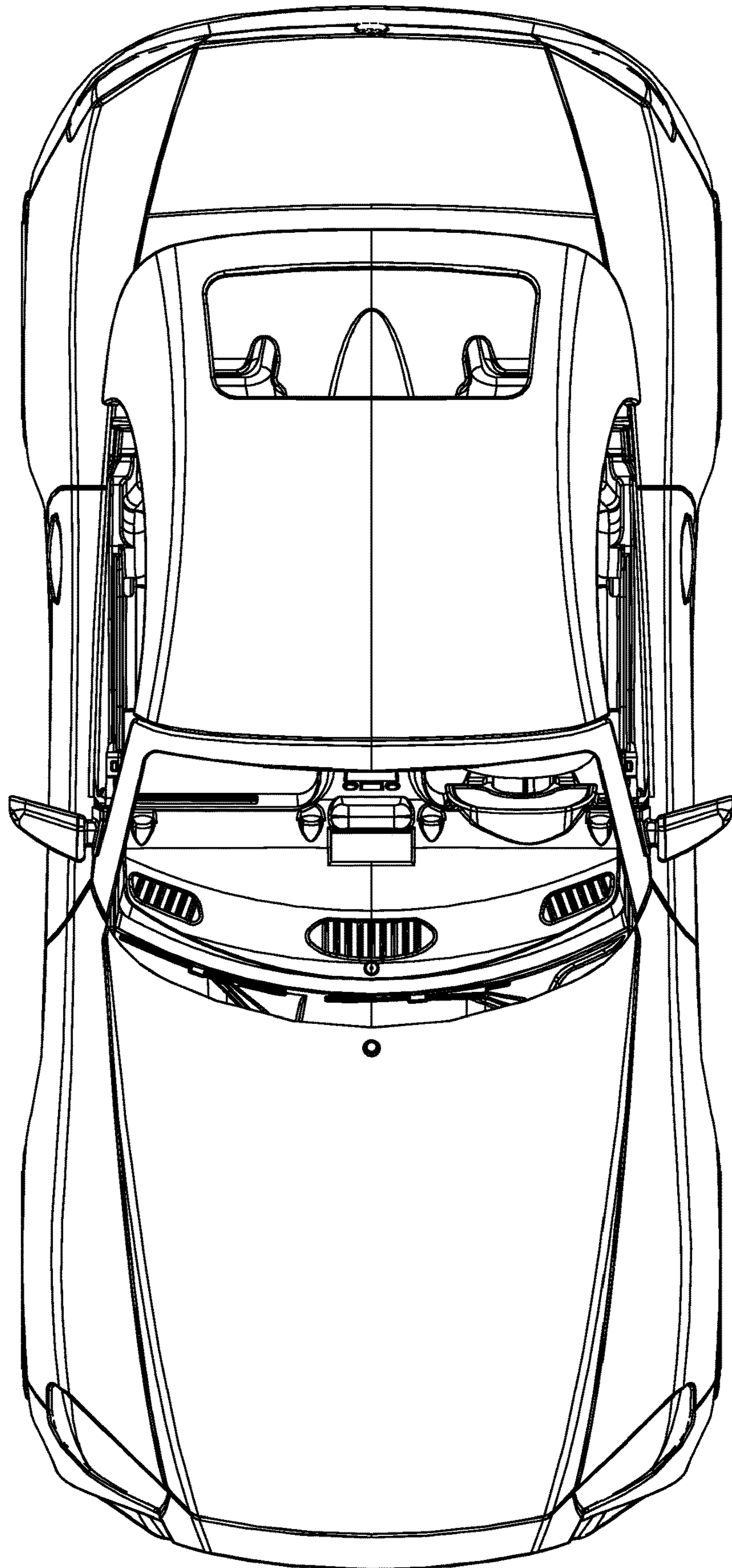


Fig. 3

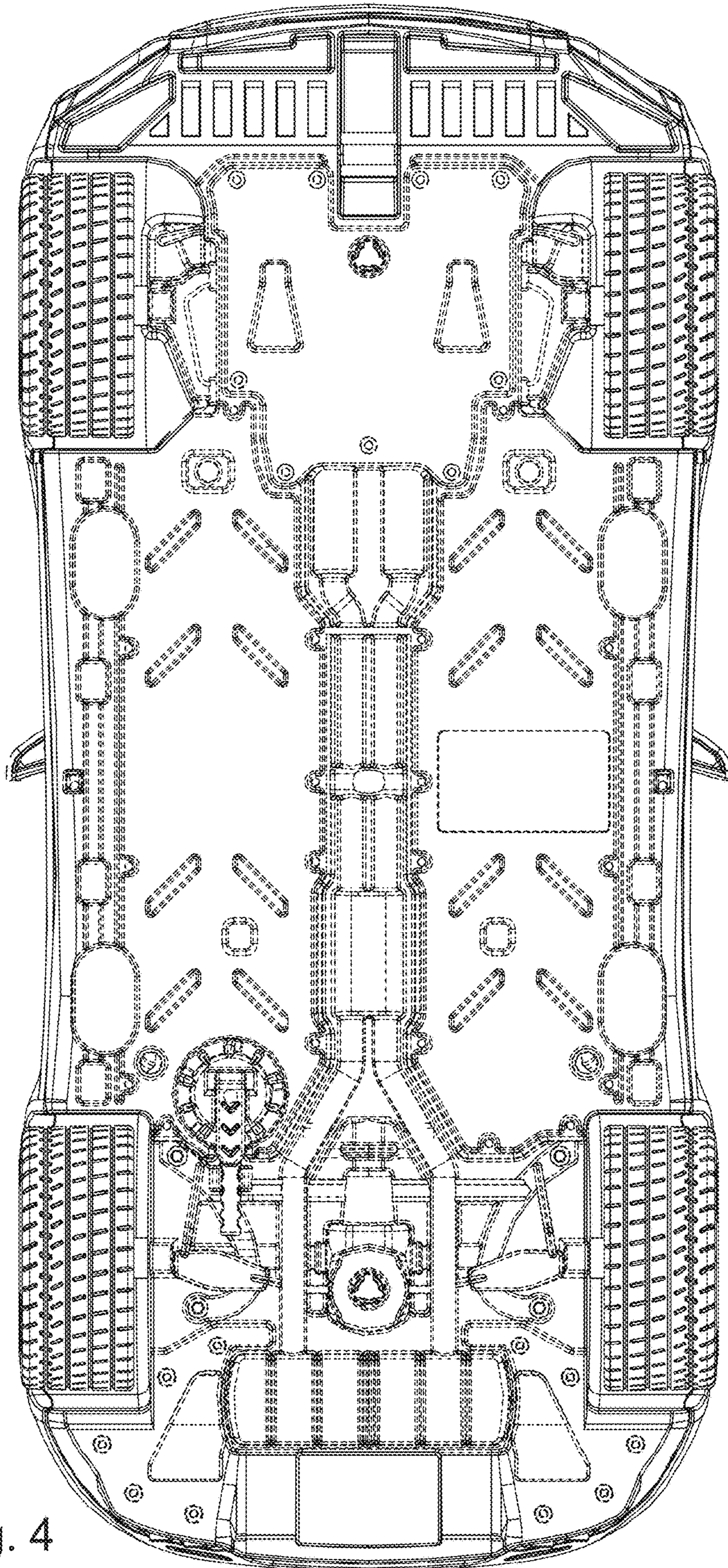


Fig. 4

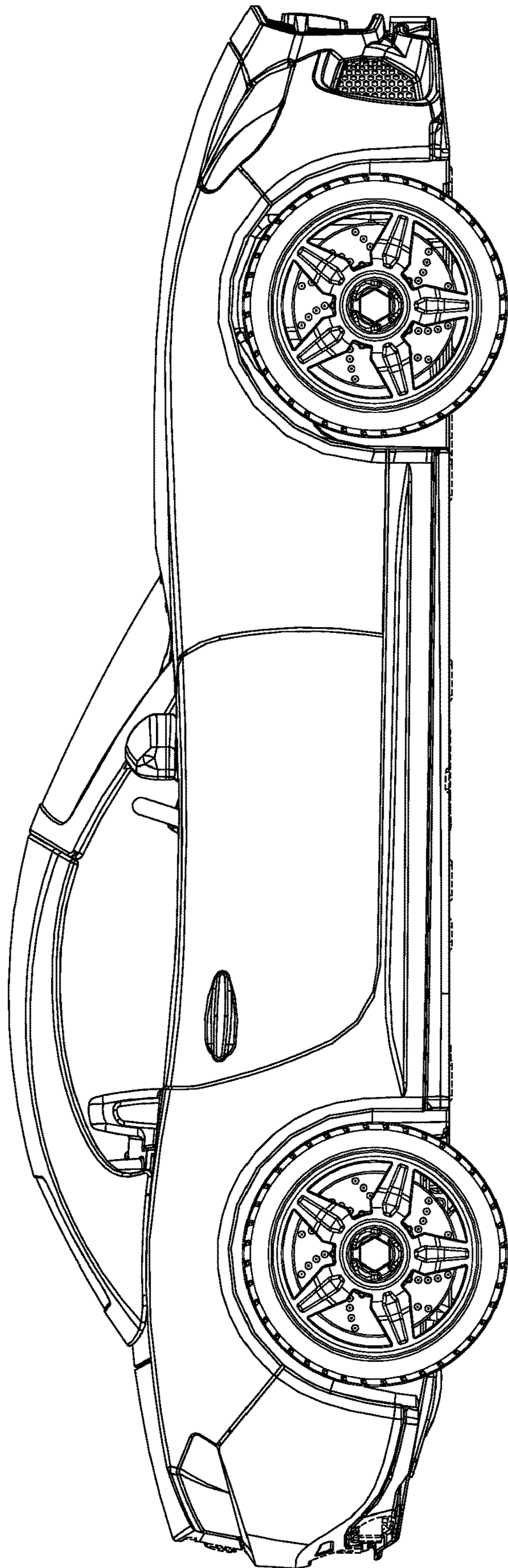


Fig. 5

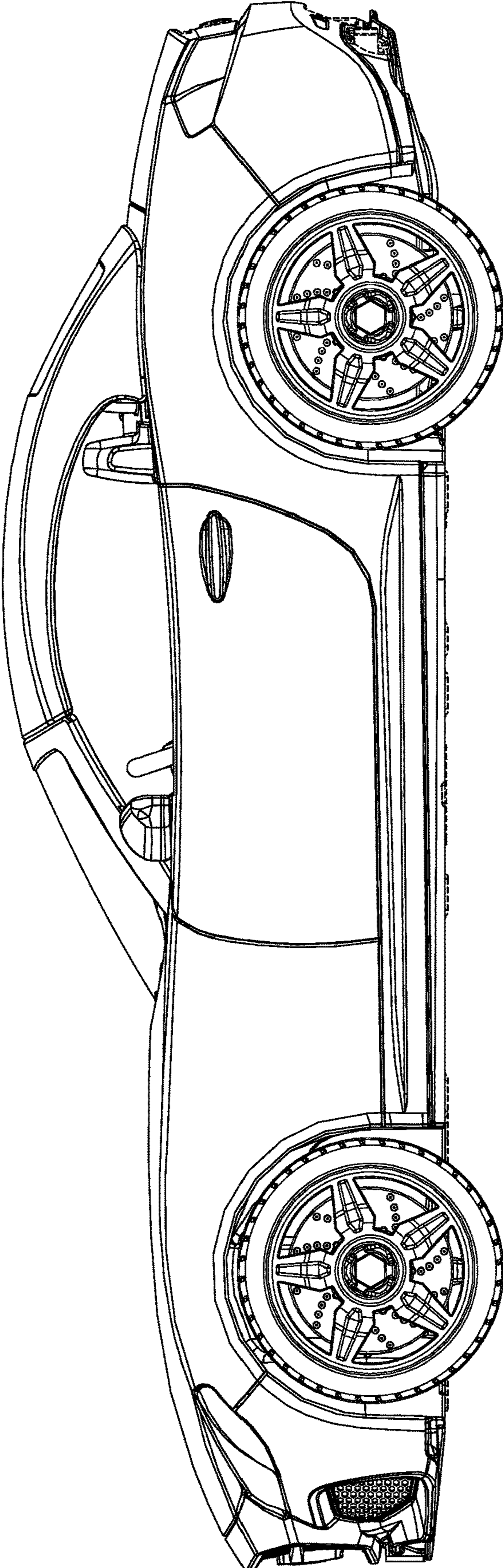


Fig. 6

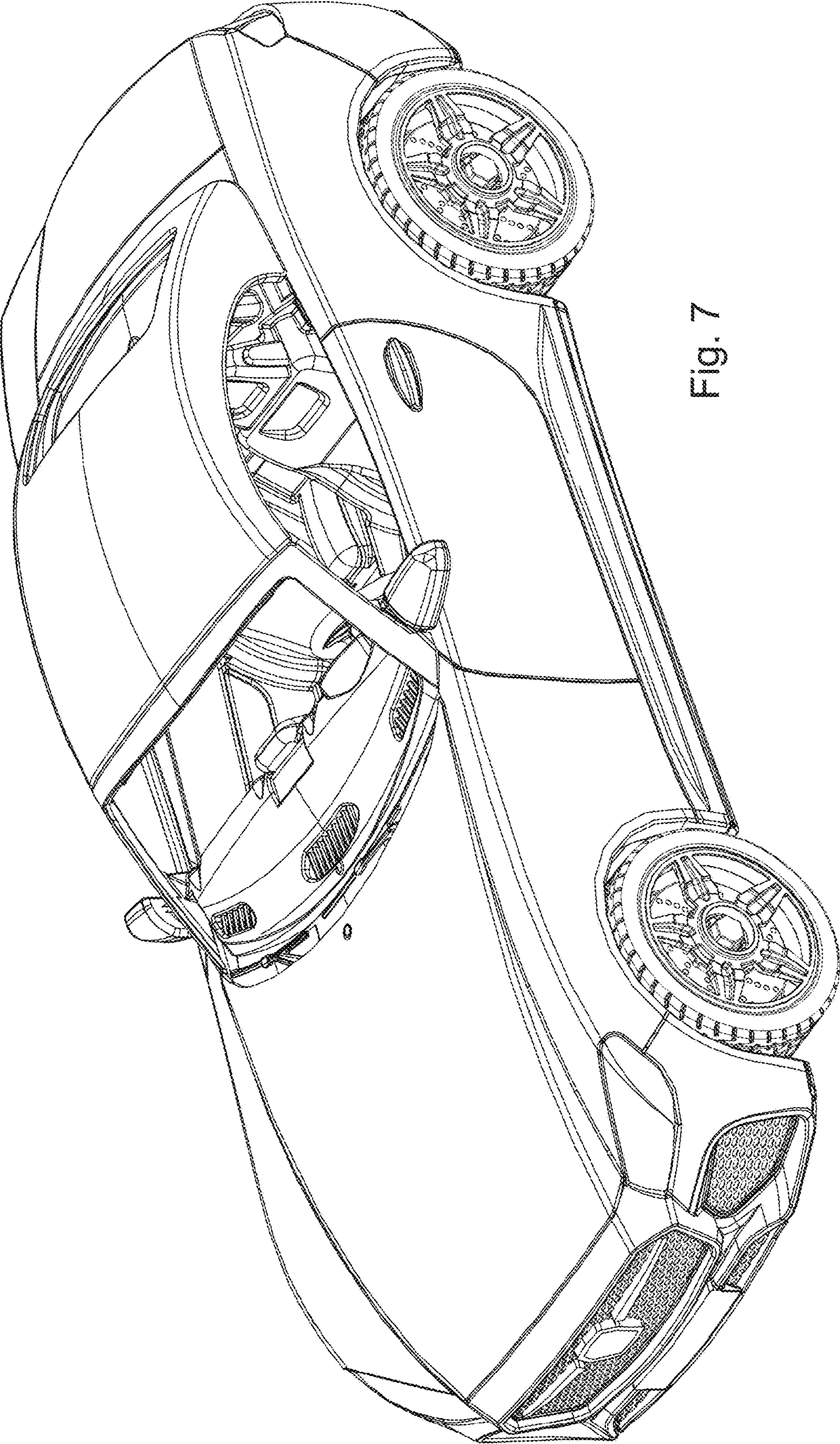


Fig. 7