



US00D986982S

(12) **United States Design Patent** (10) **Patent No.:** **US D986,982 S**
Shen (45) **Date of Patent:** **** May 23, 2023**

(54) **MAGNETIC TILE SET**

(71) Applicant: **Ningbo Heyme Information Technology Co., Ltd, Zhejiang (CN)**

(72) Inventor: **Peng Shen, Ningbo (CN)**

(**) Term: **15 Years**

(21) Appl. No.: **29/851,679**

(22) Filed: **Aug. 31, 2022**

(51) **LOC (14) Cl.** **21-01**

(52) **U.S. Cl.**
USPC **D21/491; D21/404**

(58) **Field of Classification Search**
USPC **D21/386, 404, 468, 478, 484-505; D13/183**

(Continued)

(56) **References Cited**

U.S. PATENT DOCUMENTS

D478,360 S * 8/2003 Manville D21/494
D513,628 S 1/2006 Andersen

(Continued)

Primary Examiner — Cynthia M. Chin

(74) *Attorney, Agent, or Firm* — Rumit Ranjit Kanakia

(57) **CLAIM**

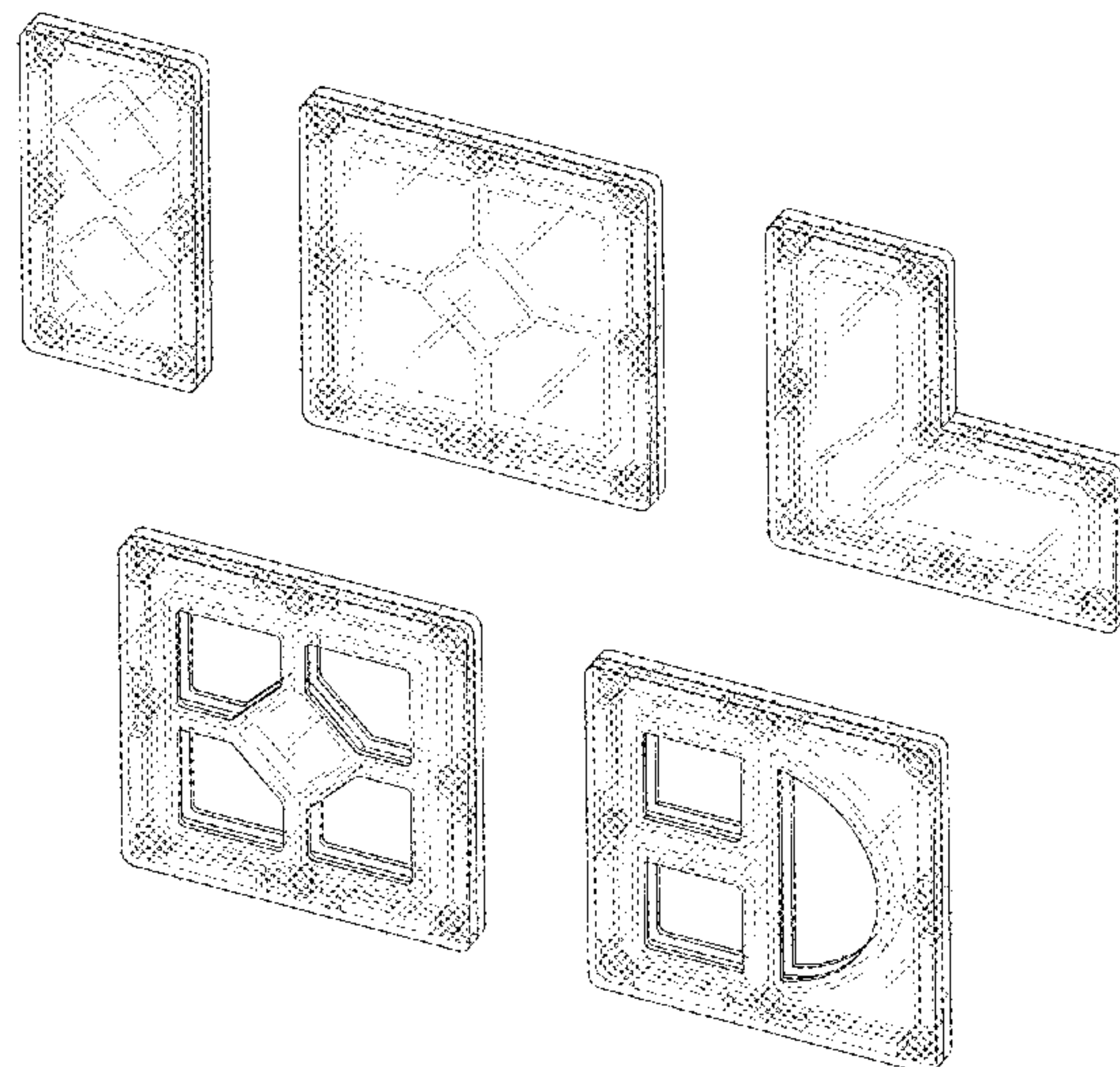
The ornamental design for a magnetic tile set, as shown and described.

DESCRIPTION

FIG. 1 is a perspective view of the set of a magnetic tile set, showing my new design;
FIG. 2 is a perspective view of the first piece of the magnetic tile set;
FIG. 3 is another perspective view thereof;
FIG. 4 is a front elevational view thereof, the rear elevational view identical;

FIG. 5 is a left side view thereof, the right side view being a mirror image of FIG. 5;
FIG. 6 is a top plan view thereof, the bottom plan view being a mirror image of FIG. 6;
FIG. 7 is a perspective view of the second piece of the magnetic tile set;
FIG. 8 is another perspective view thereof;
FIG. 9 is a front elevational view thereof, the rear elevational view identical;
FIG. 10 is a left side view thereof, the right side view being a mirror image of FIG. 10;
FIG. 11 is a top plan view thereof, the bottom plan view being a mirror image of FIG. 11;
FIG. 12 is a perspective view of the third piece of the magnetic tile set;
FIG. 13 is another perspective view thereof;
FIG. 14 is a front elevational view thereof, the rear elevational view being a mirror image of FIG. 14;
FIG. 15 is a left side view thereof;
FIG. 16 is a right side view thereof;
FIG. 17 is a top plan view thereof;
FIG. 18 is a bottom plan view thereof;
FIG. 19 is a perspective view of the fourth piece of the magnetic tile set;
FIG. 20 is another perspective view thereof;
FIG. 21 is a front elevational view thereof, the rear elevational view identical;
FIG. 22 is a left side view thereof, the right side view being a mirror image of FIG. 22;
FIG. 23 is a top plan view thereof, the bottom plan view being a mirror image of FIG. 23;
FIG. 24 is a perspective view of the fifth piece of the magnetic tile set;
FIG. 25 is another perspective view thereof;
FIG. 26 is a front elevational view thereof, the rear elevational view being a mirror image of FIG. 26;
FIG. 27 is a left side view thereof, the right side view being a mirror image of FIG. 27; and,
FIG. 28 is a top plan view thereof, the bottom plan view being a mirror image of FIG. 28.

1 Claim, 26 Drawing Sheets



(58) **Field of Classification Search**

CPC A63H 33/00; A63H 33/04; A63H 33/046;
A63H 33/06; A63H 33/08; A63H 33/10;
A63H 33/12; A63H 33/14; A63H 33/26
See application file for complete search history.

(56) **References Cited**

U.S. PATENT DOCUMENTS

D614,250 S 4/2010 Frederiksen
D618,737 S * 6/2010 Andersen D21/501
D631,104 S 1/2011 With
D713,891 S 9/2014 Schwartz
D771,752 S 11/2016 Henkin
D784,938 S * 4/2017 Wang D21/491
D789,312 S * 6/2017 Wang B29C 65/56
D21/491
D799,603 S 10/2017 Wang
D799,604 S 10/2017 Wang
D827,720 S 9/2018 Whang
D827,721 S 9/2018 Whang
D830,475 S * 10/2018 Wang D21/491
D831,129 S * 10/2018 Wang D21/491
D908,812 S 1/2021 Kogure
D922,501 S * 6/2021 Lv D21/491
D965,689 S * 10/2022 Peluso D21/491
D969,233 S * 11/2022 Li D21/494
D981,496 S * 3/2023 Zhu D21/404
2015/0231521 A1 * 8/2015 Peterson B29C 65/56
446/92

* cited by examiner

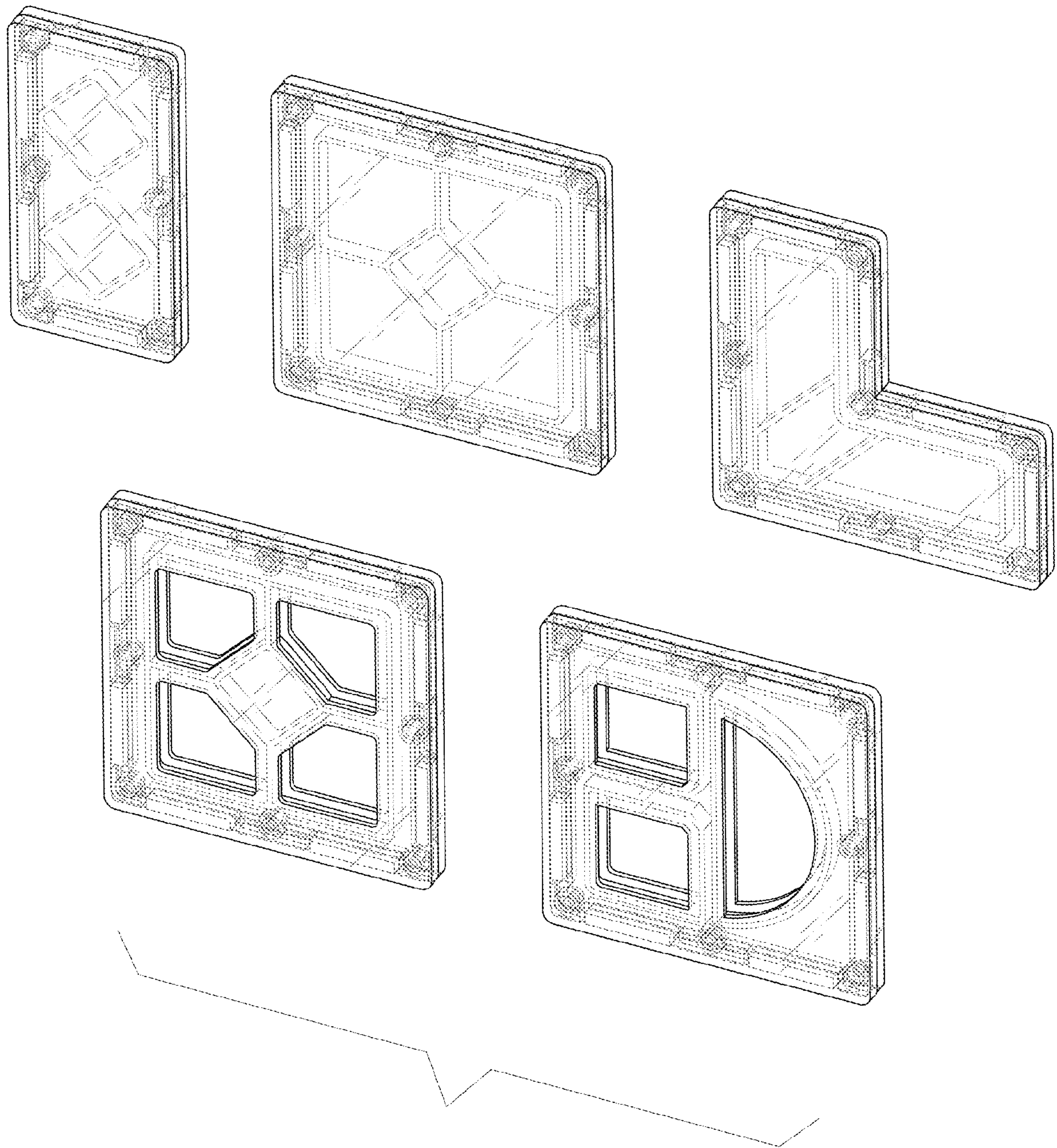


FIG. 1

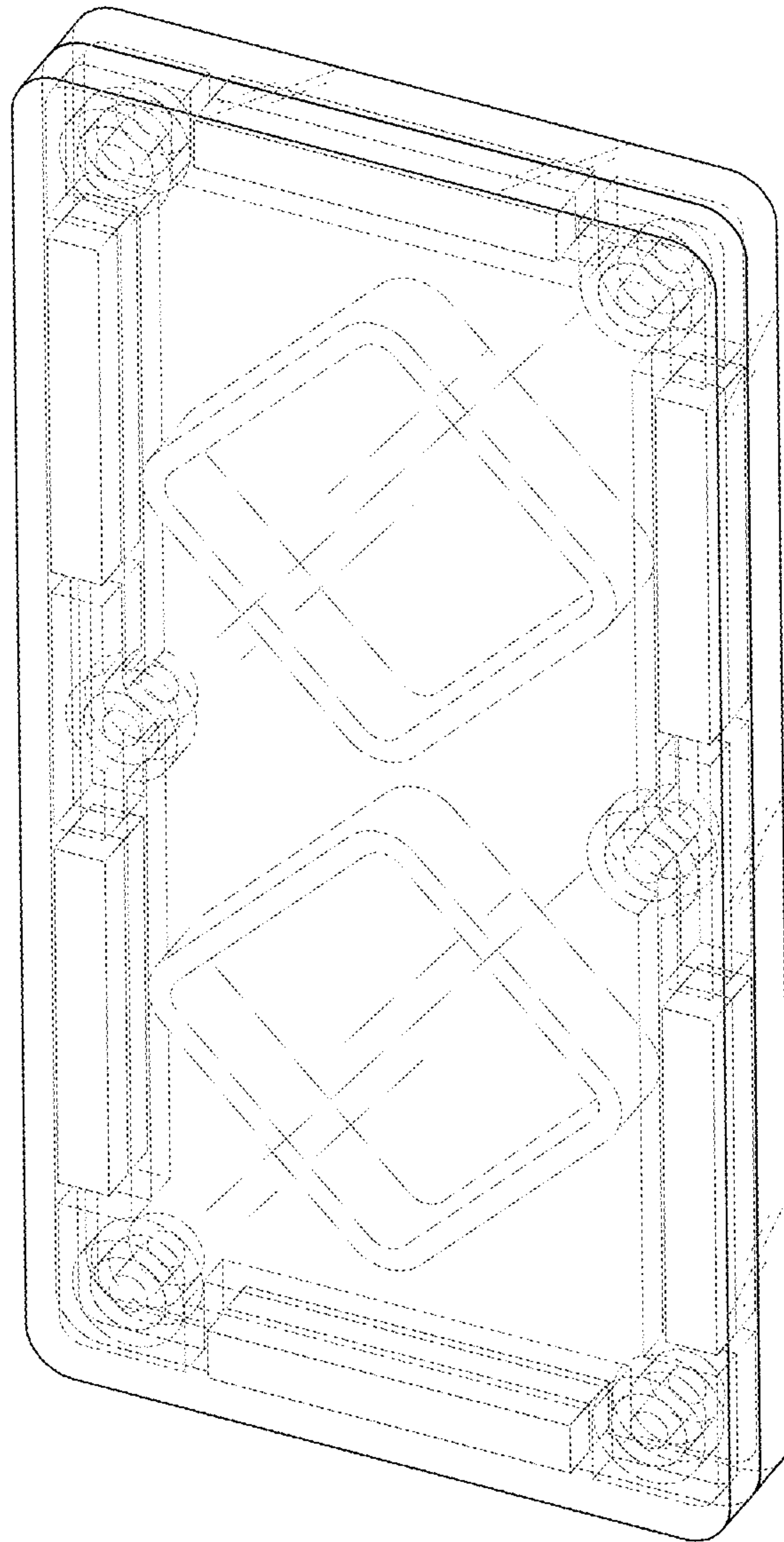


FIG. 2

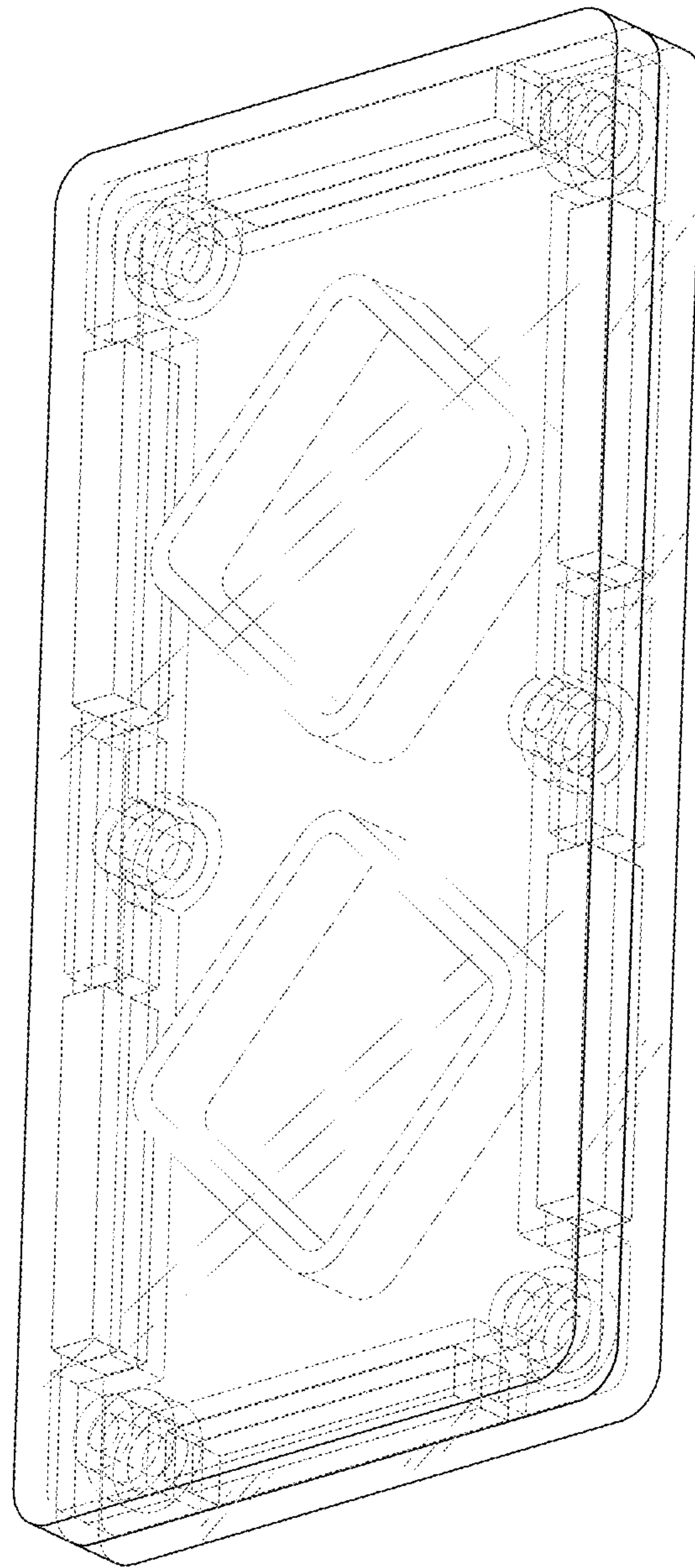


FIG. 3

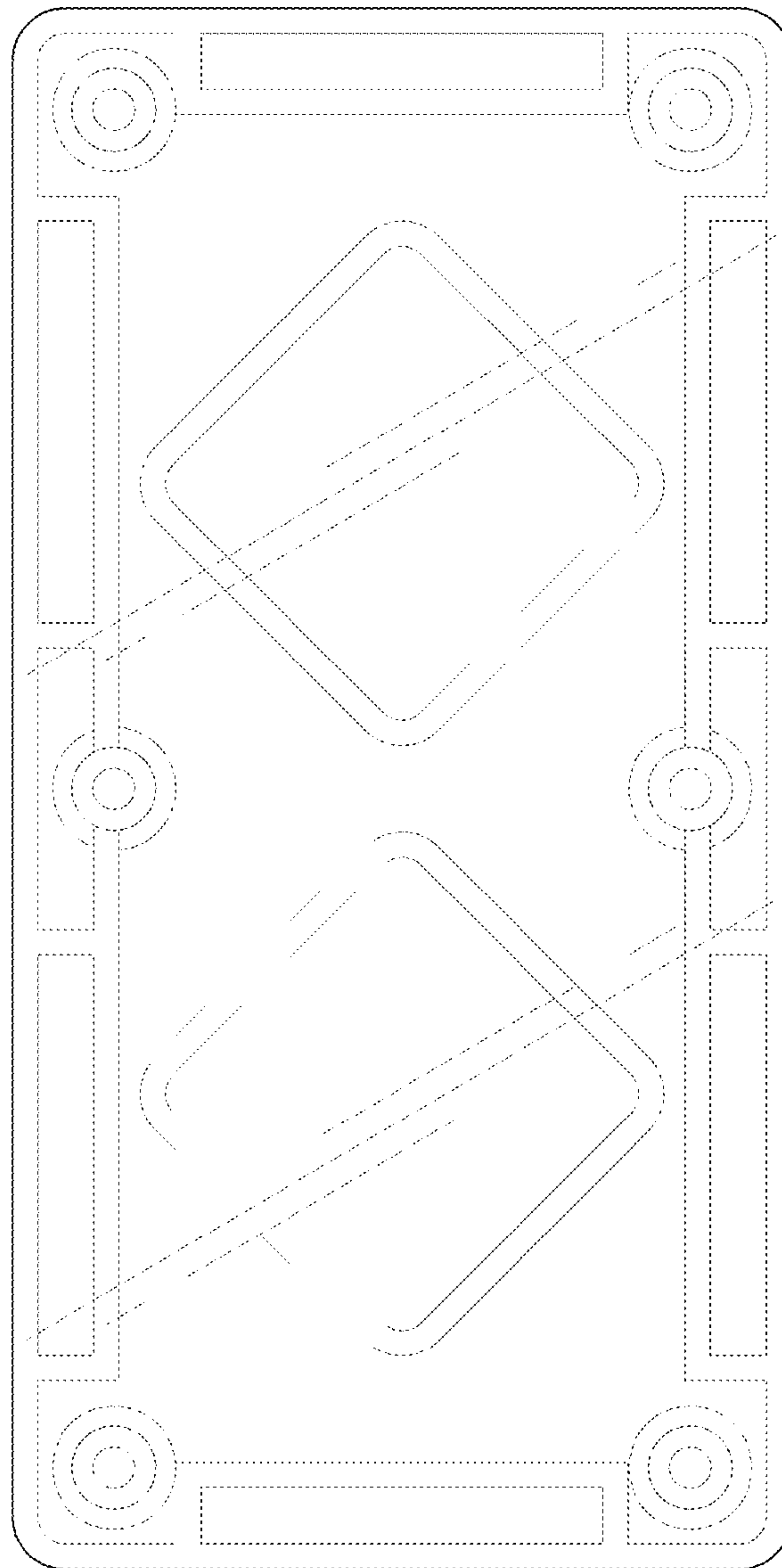


FIG. 4

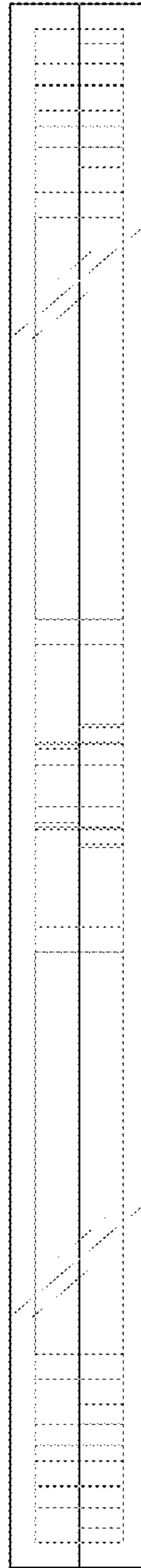


FIG. 5

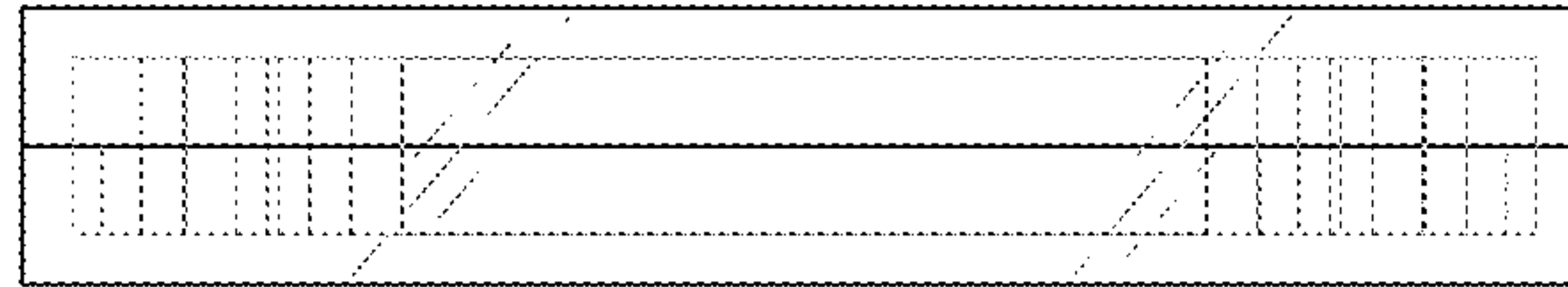


FIG. 6

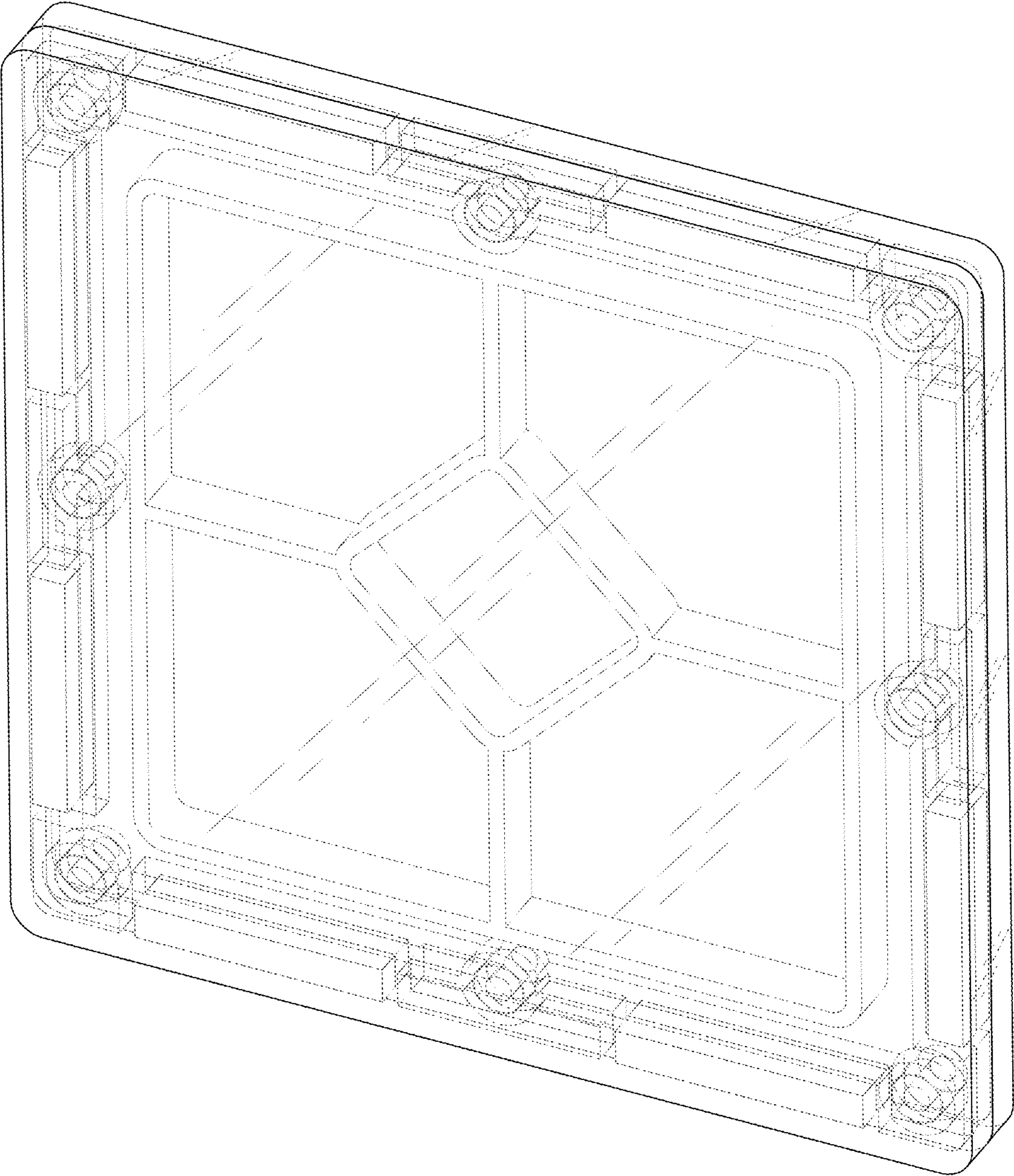


FIG. 7

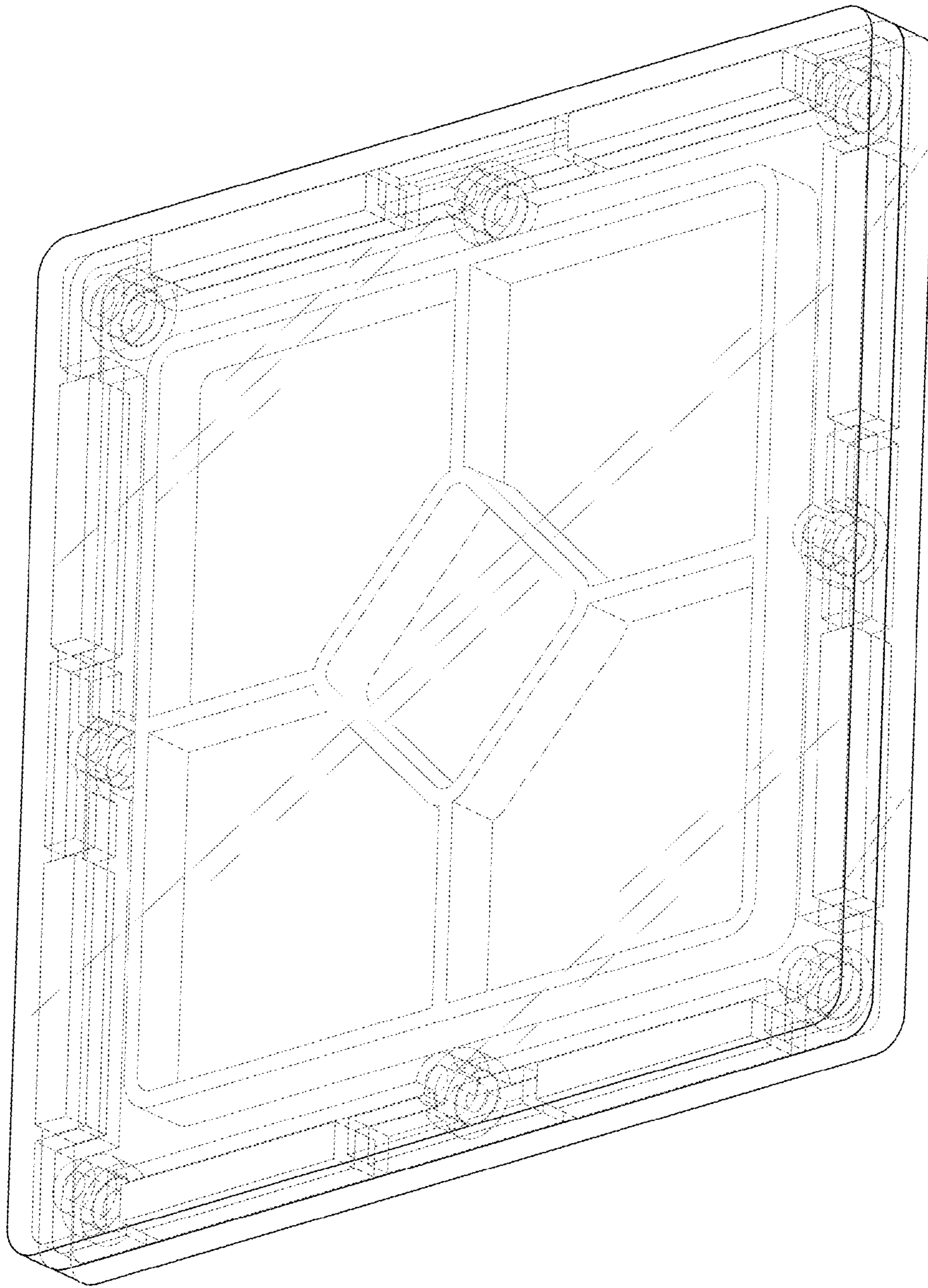


FIG. 8

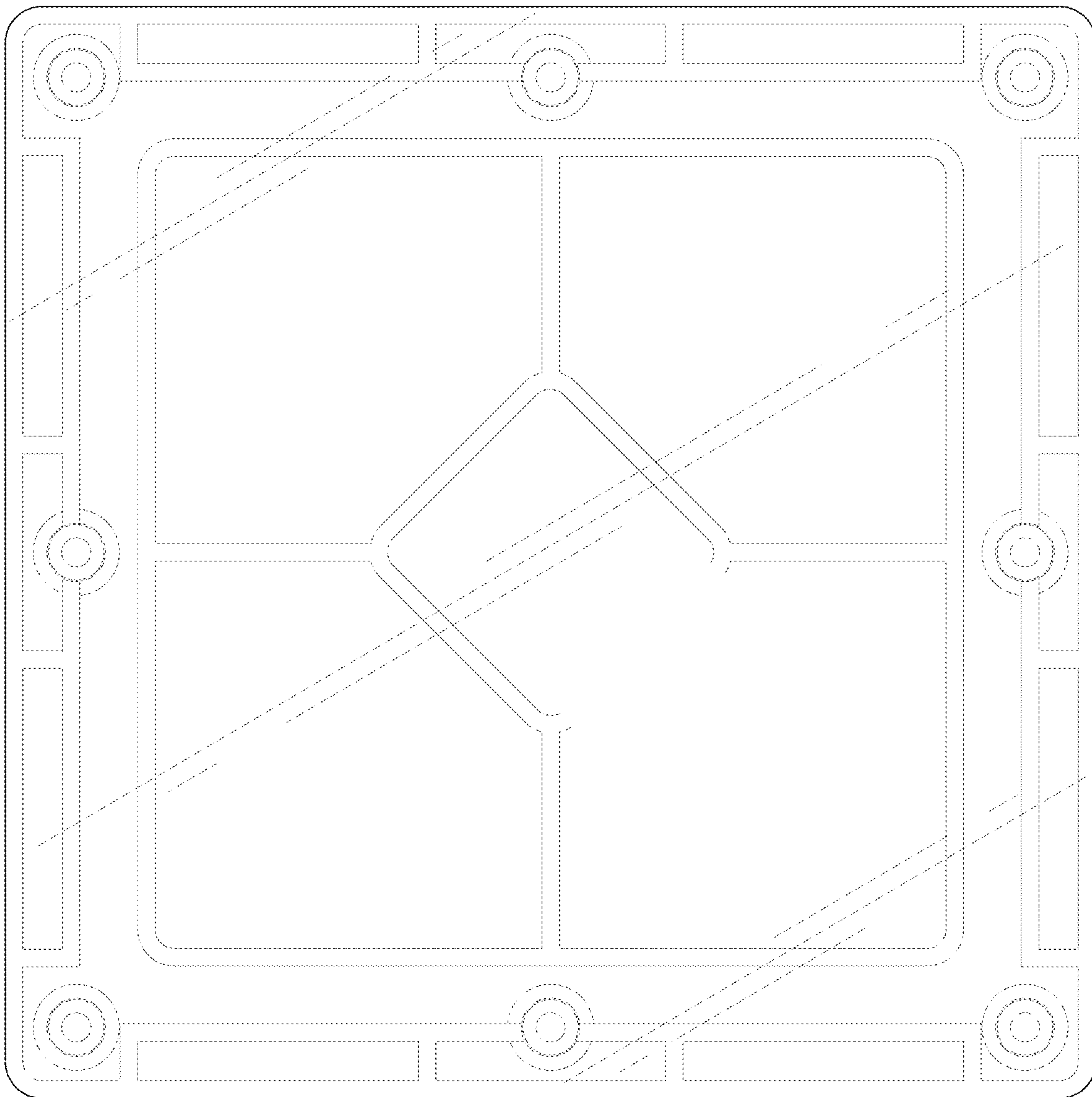


FIG. 9

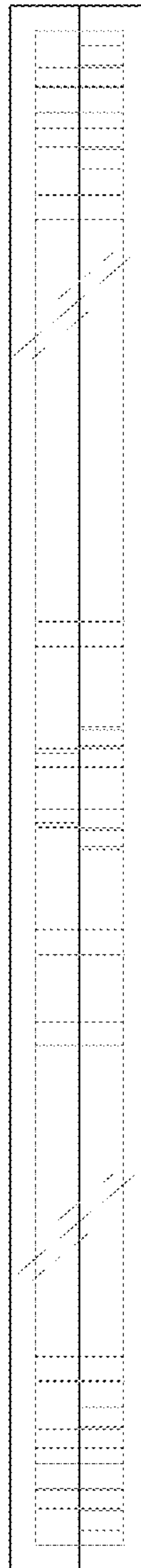


FIG. 10

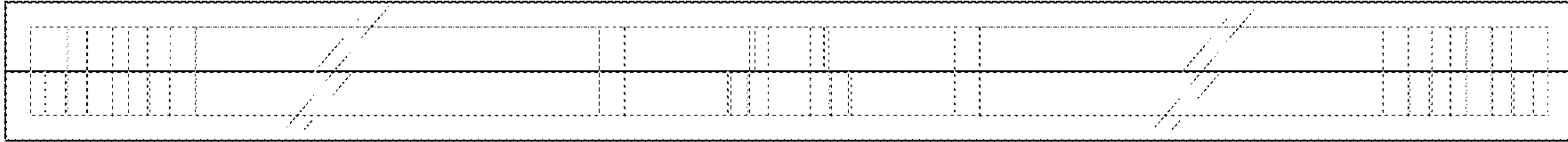


FIG. 11

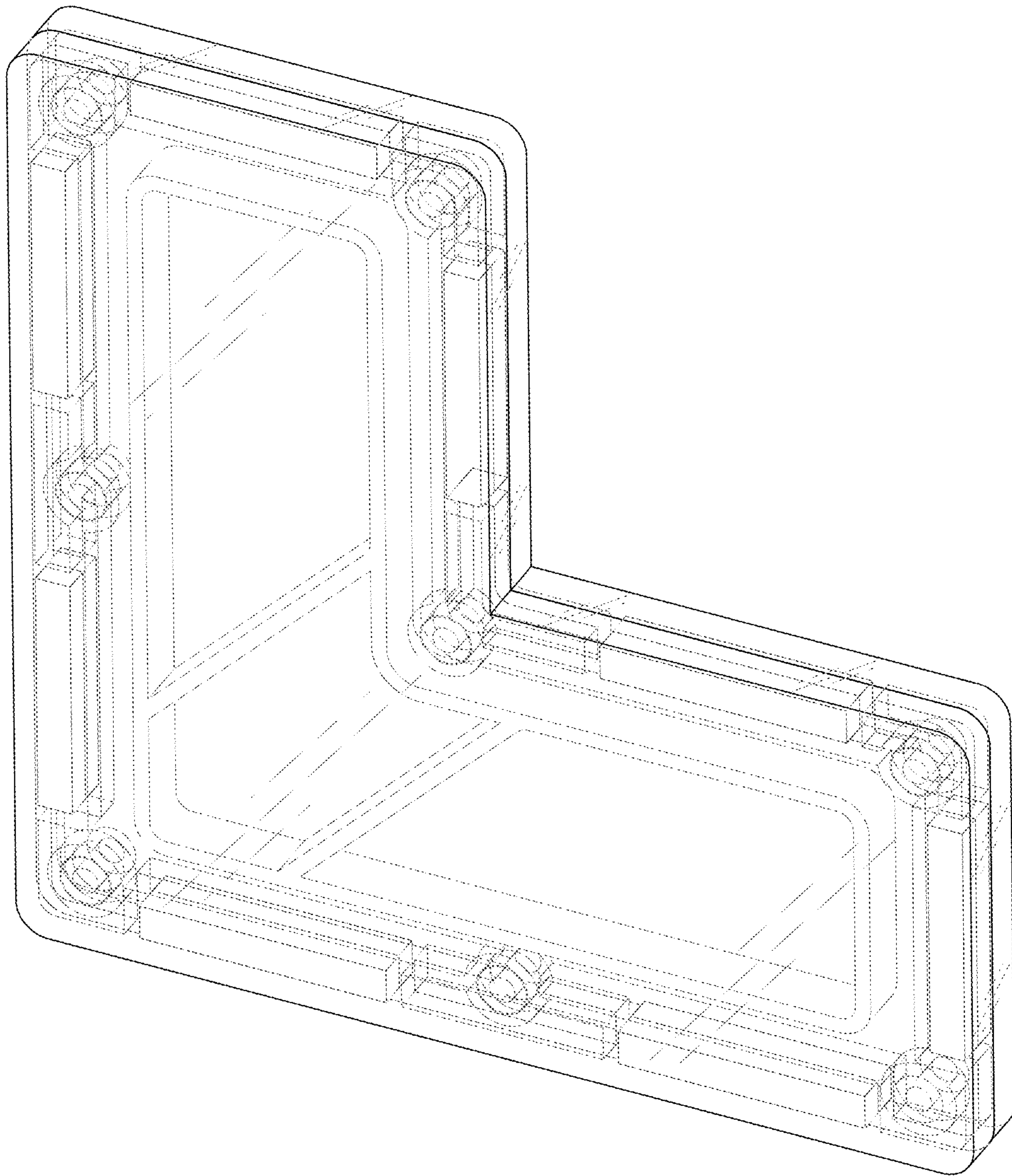


FIG. 12

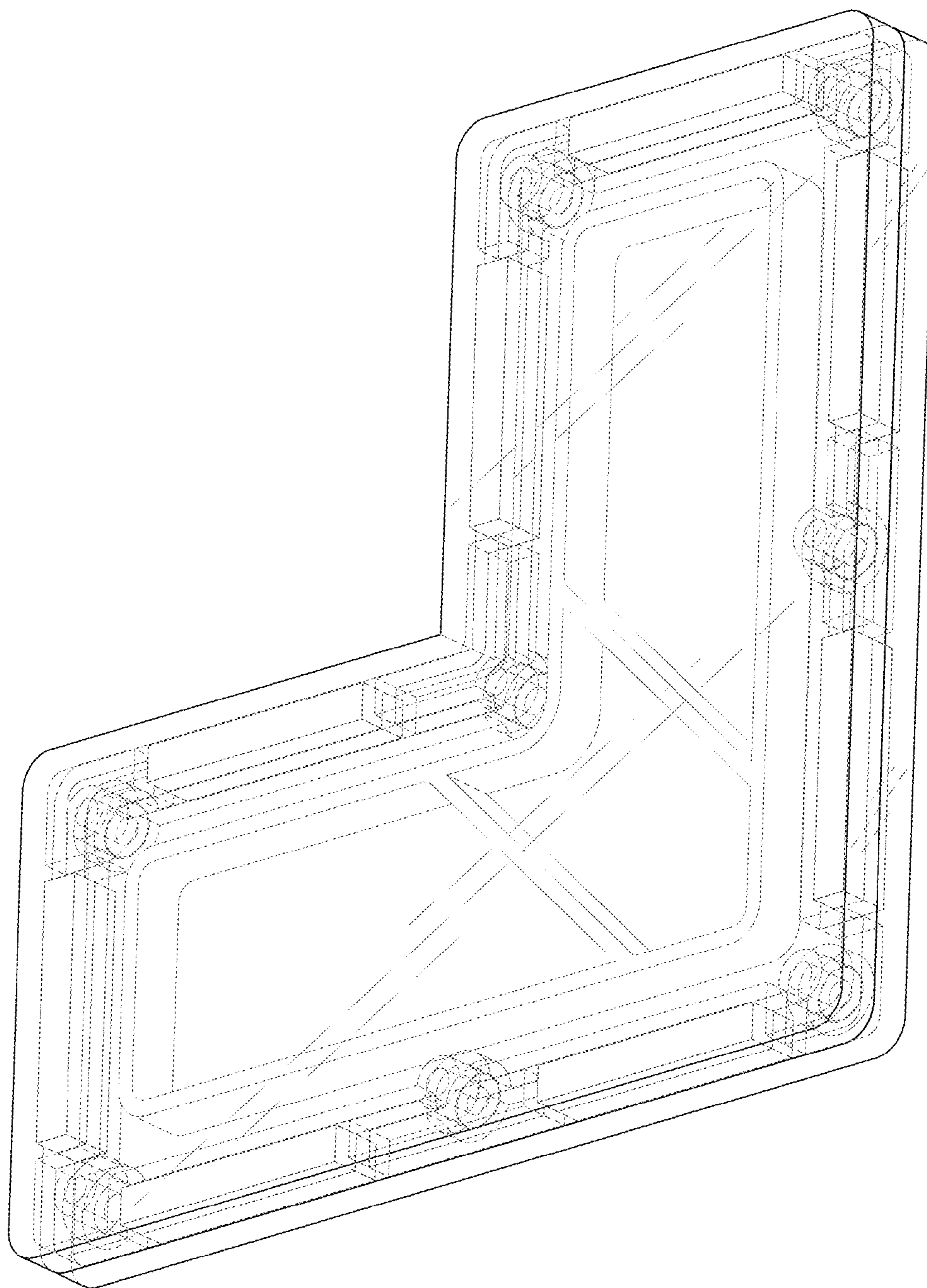


FIG. 13

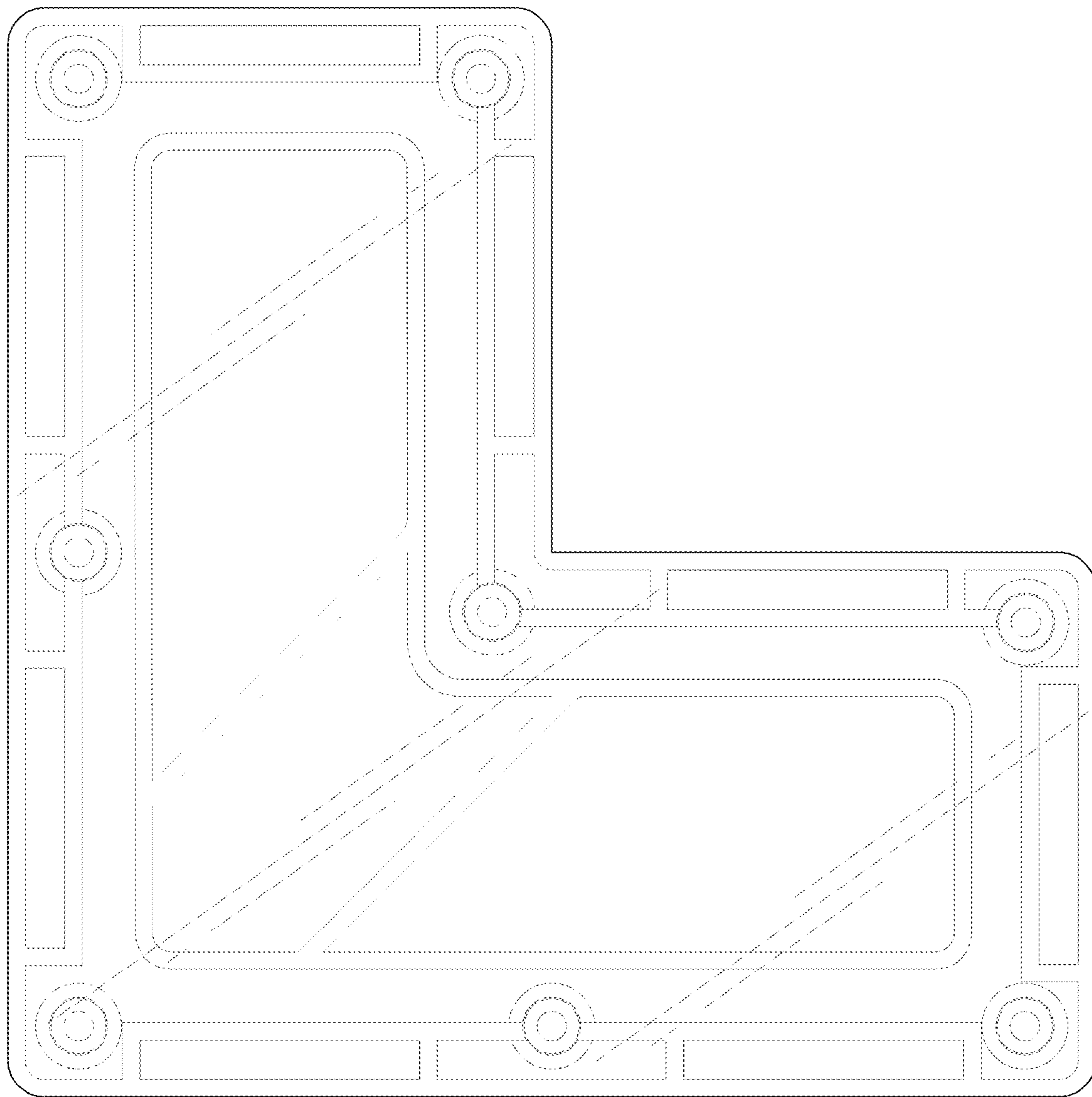


FIG. 14

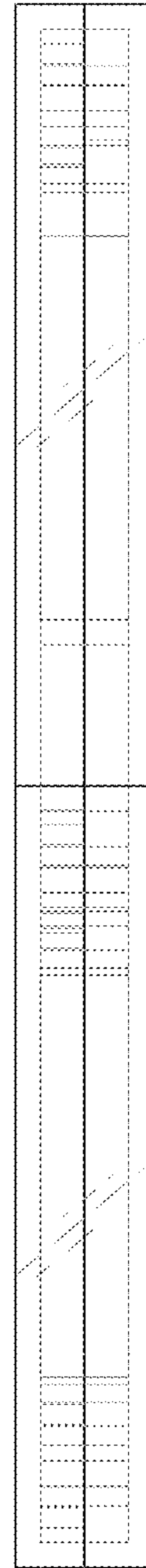


FIG. 15

FIG. 16

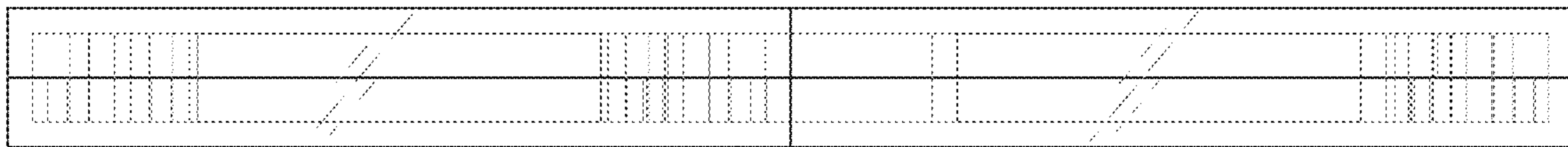


FIG. 17

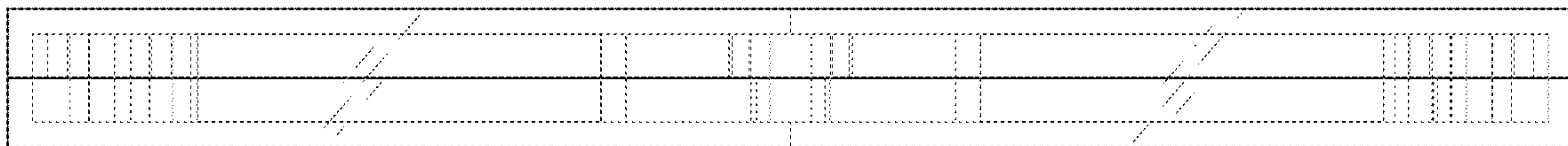


FIG. 18

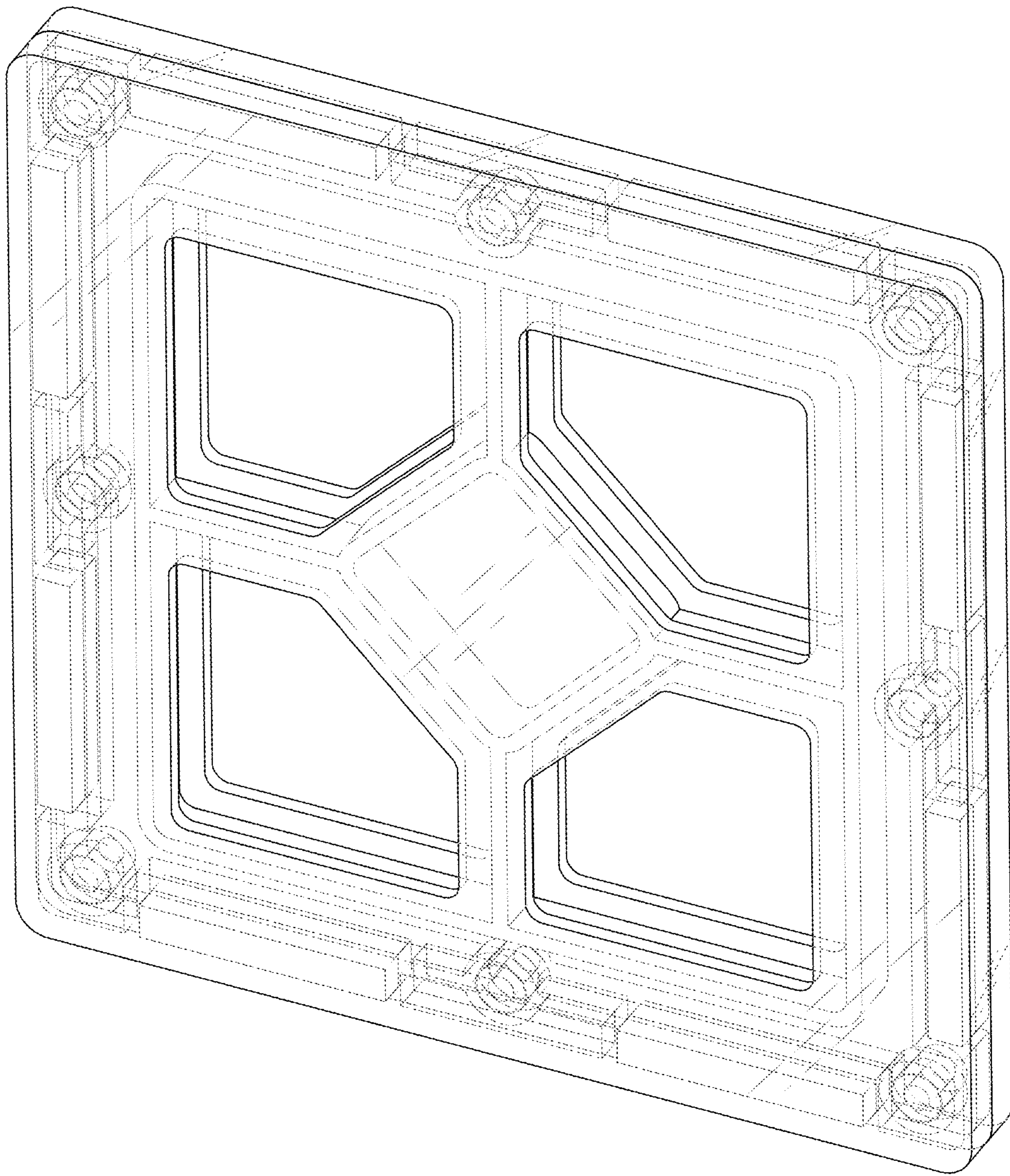


FIG. 19

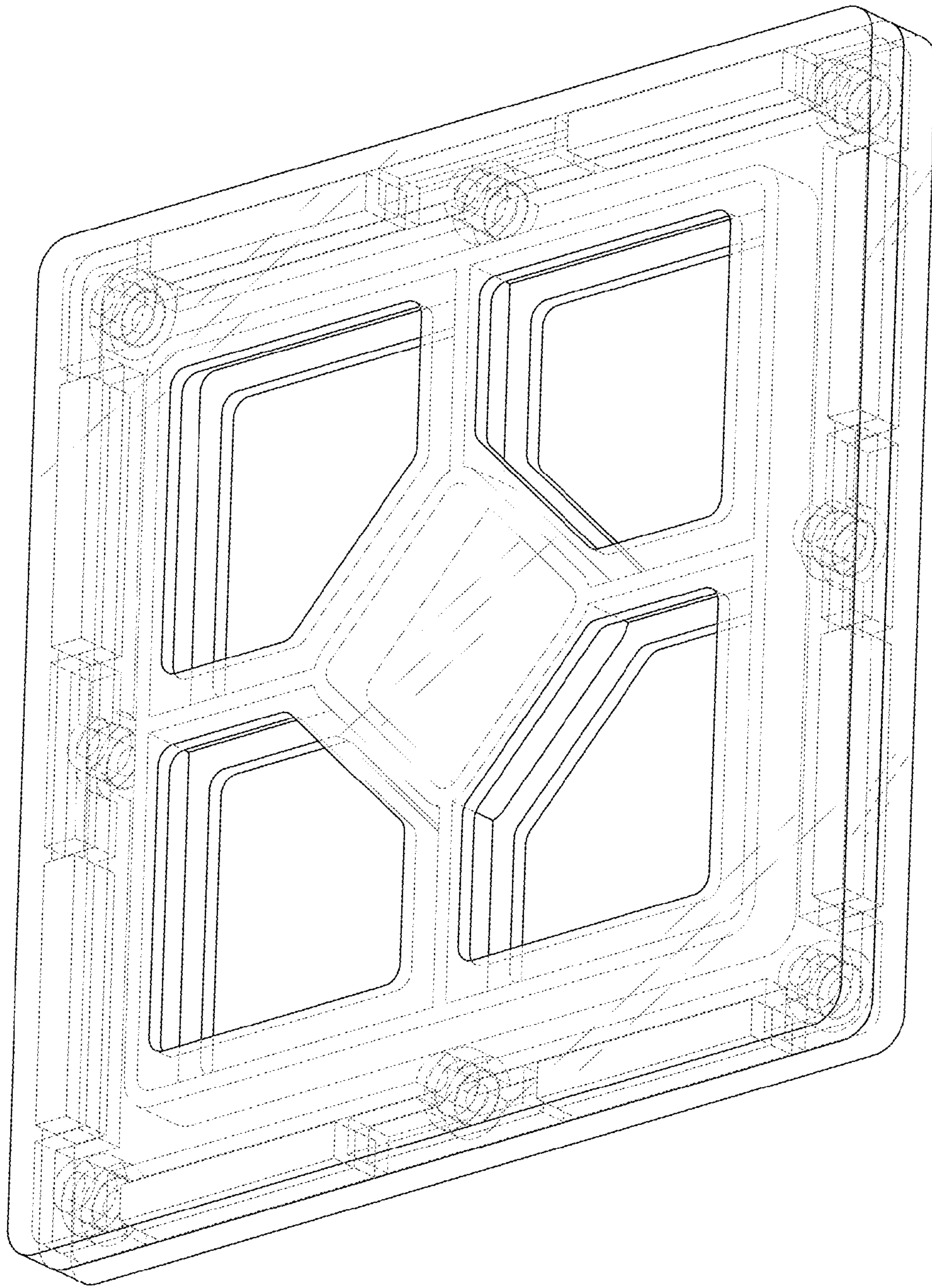


FIG. 20

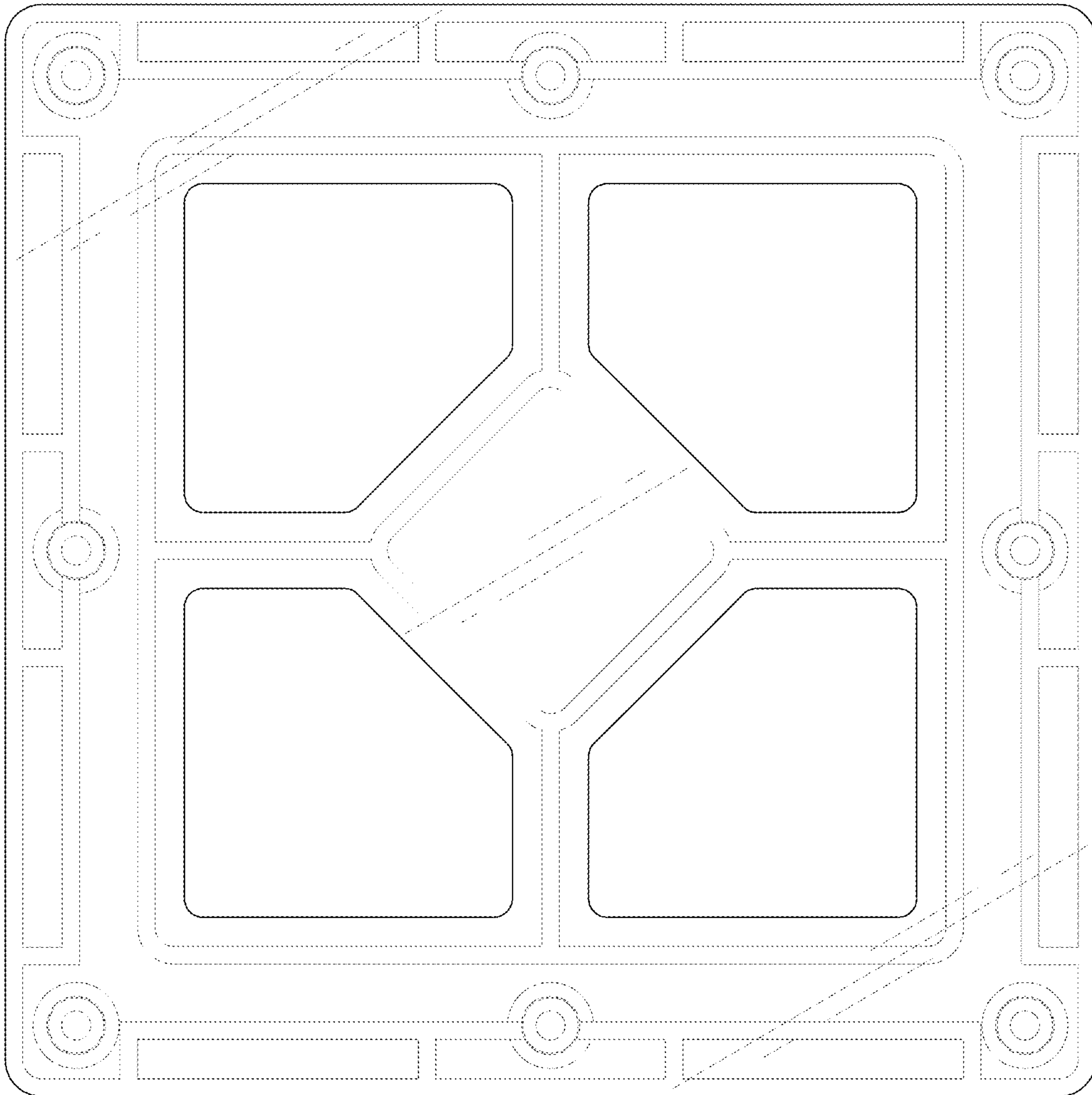


FIG. 21

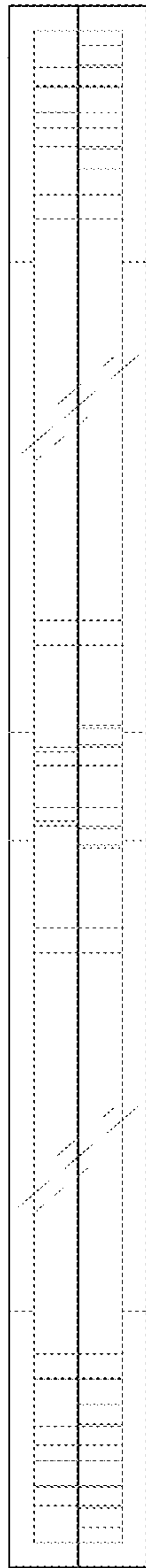


FIG. 22

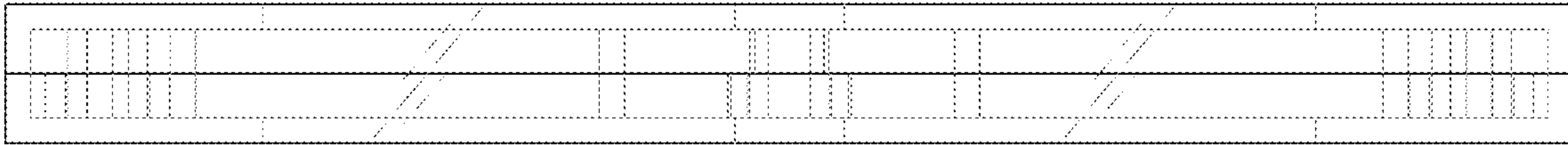


FIG. 23

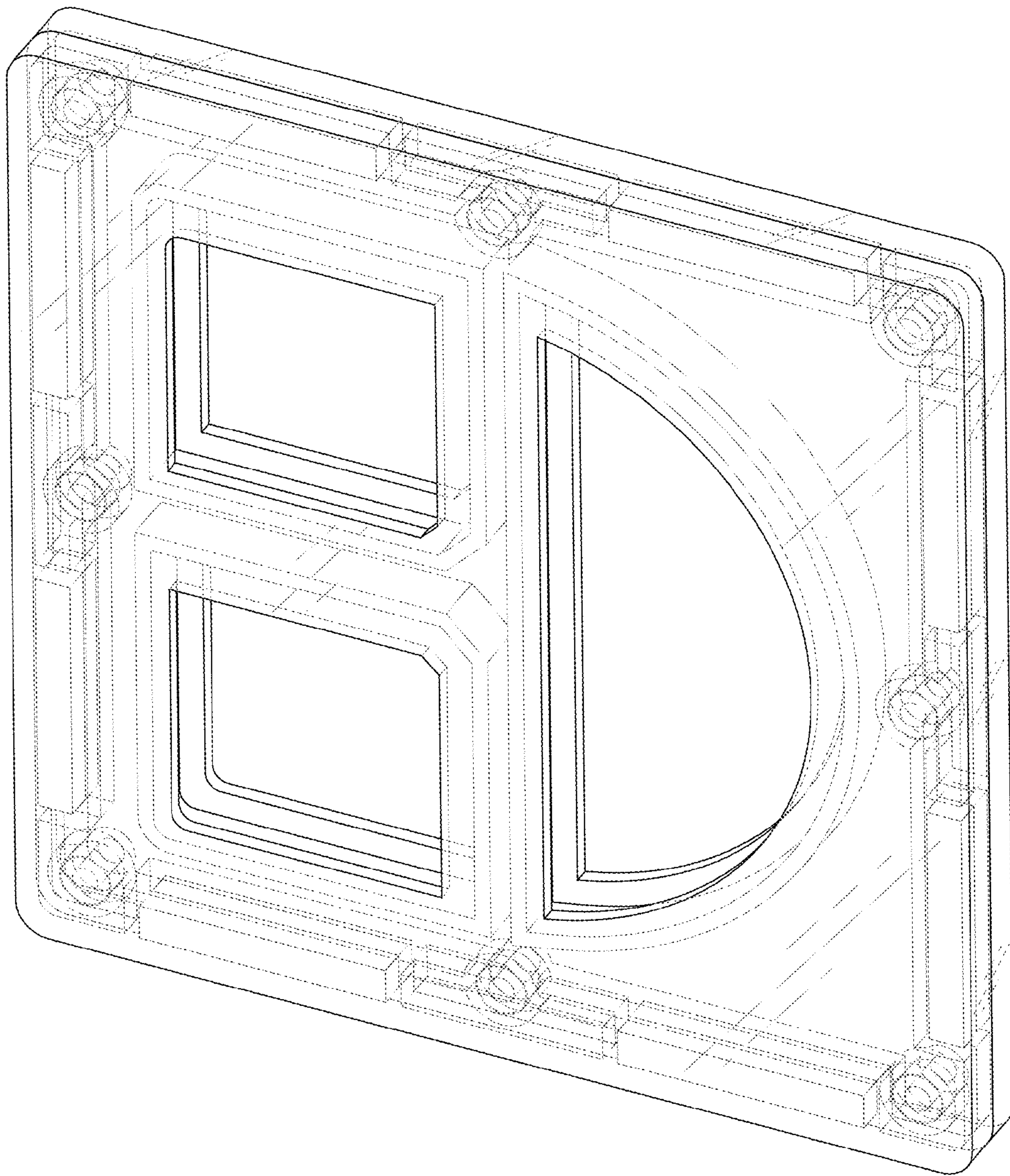


FIG. 24

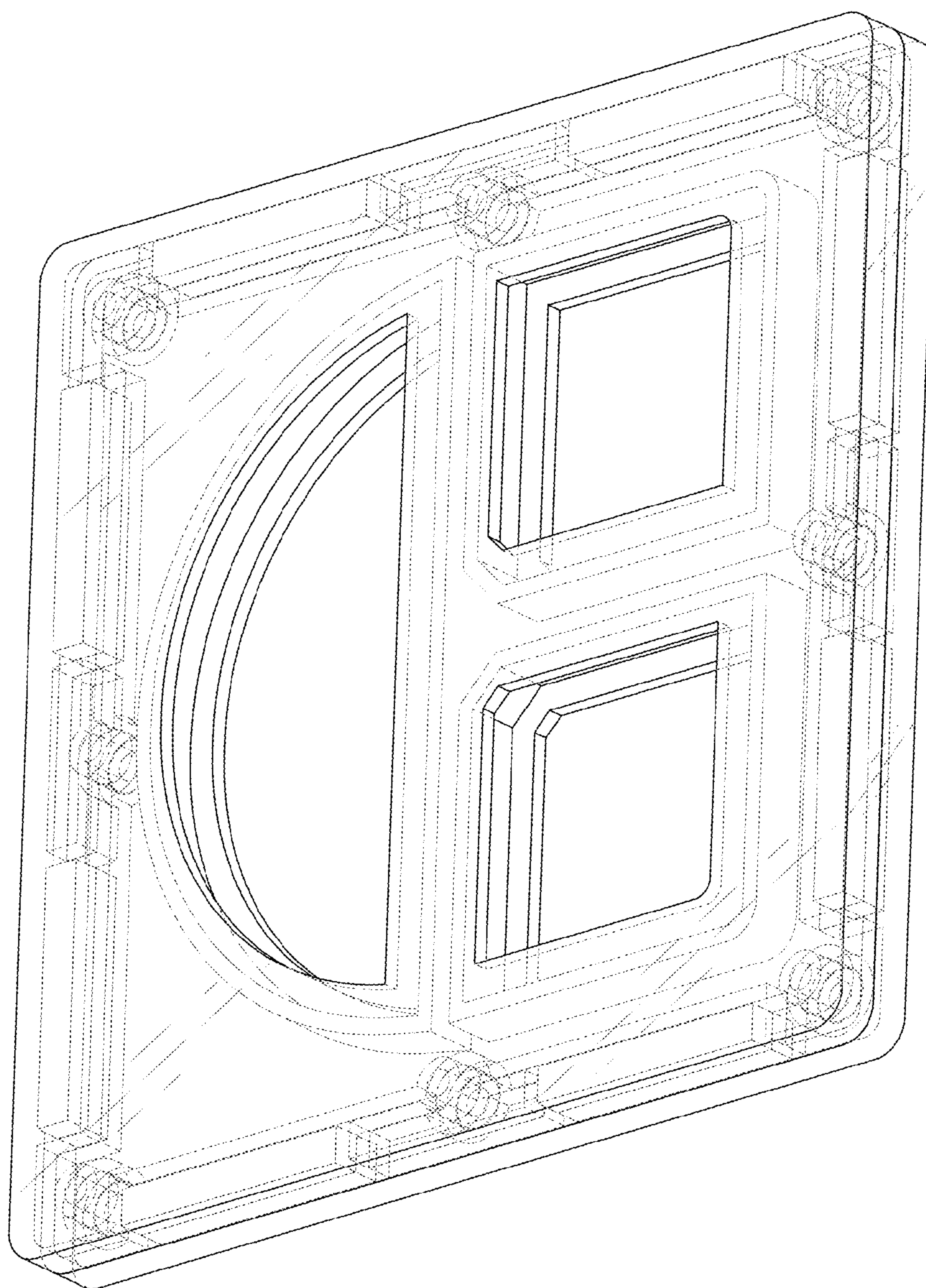


FIG. 25

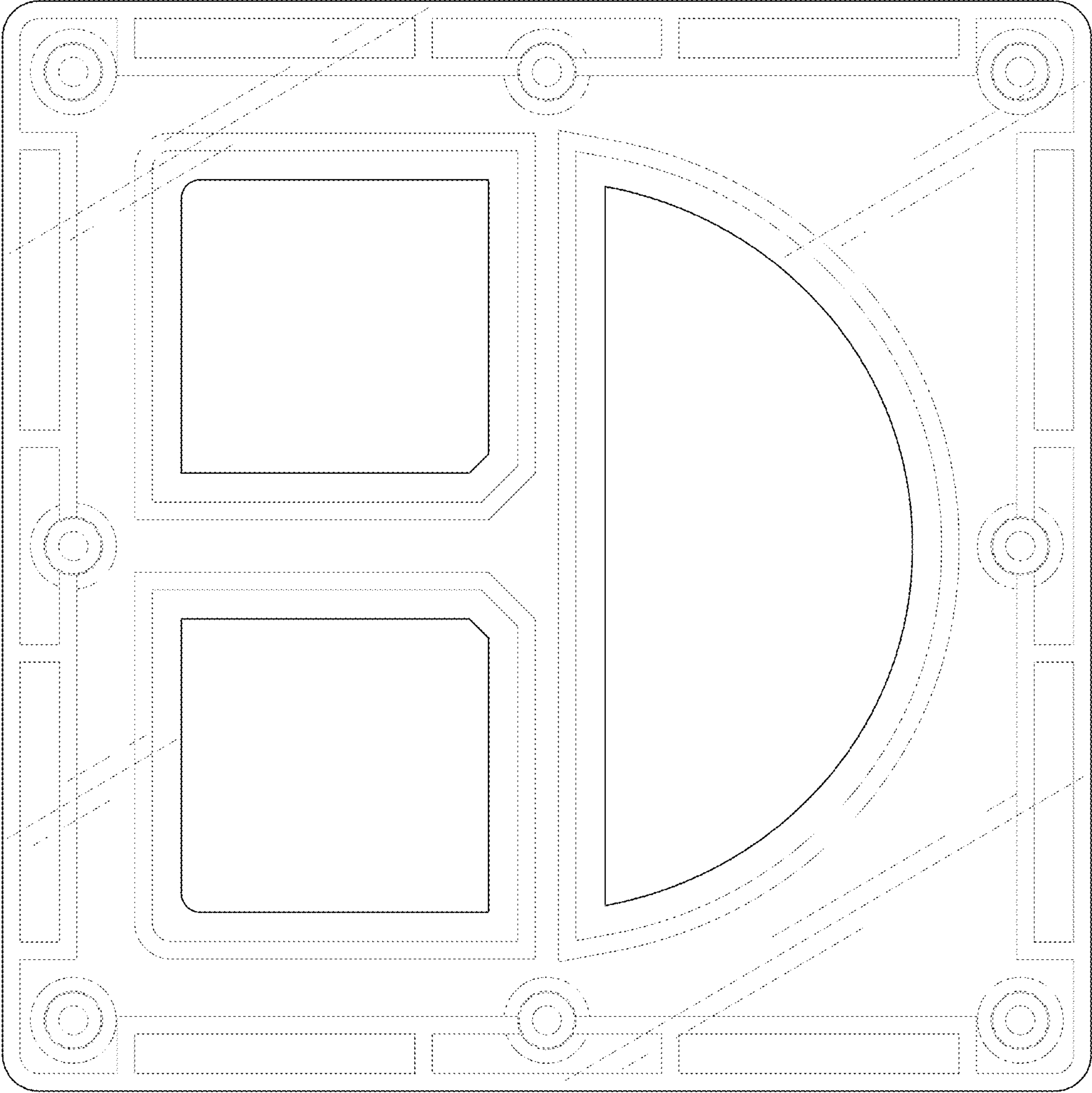


FIG. 26

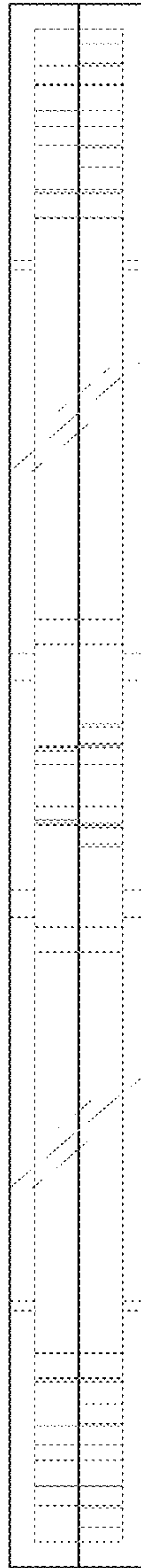


FIG. 27

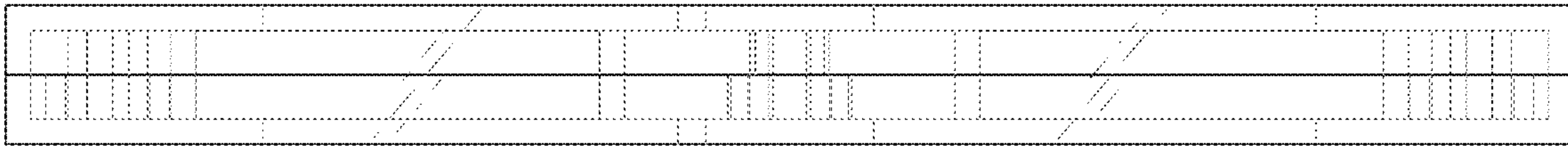


FIG. 28