



US00D986980S

(12) **United States Design Patent**
Miller et al.

(10) **Patent No.:** **US D986,980 S**
(45) **Date of Patent:** **** May 23, 2023**

(54) **TURNING TOY**
(71) Applicant: **Lovevery, Inc.**, Boise, ID (US)
(72) Inventors: **Jacob Douglas Miller**, Boise, ID (US);
Philip Jacob Fouts, Boise, ID (US);
John Patrick Healy, Boise, ID (US)
(73) Assignee: **Lovevery, Inc.**, Boise, ID (US)
(**) Term: **15 Years**

1,160,618 A * 11/1915 Joseph A63H 1/00
446/264
1,164,991 A * 12/1915 Conklin A63H 1/00
446/264
1,262,061 A * 4/1918 Kristofek A63H 1/00
446/256
1,267,558 A * 5/1918 Komorous A63H 1/00
446/256
1,321,035 A * 11/1919 Harlan A63H 1/28
446/146
1,675,209 A * 6/1928 Brower A63F 7/38
273/109

(Continued)

(21) Appl. No.: **29/771,511**

(22) Filed: **Feb. 23, 2021**

(51) **LOC (14) Cl.** **21-01**

(52) **U.S. Cl.**
USPC **D21/460**

(58) **Field of Classification Search**
USPC D21/398, 468, 470, 455, 456, 459-464,
D21/471, 488, 493; D7/354, 554.2,
D7/554.4, 558, 552.2, 550.1, 679, 547;
D30/121, 129, 130, 132, 160;
D11/152-154
CPC ... A63H 1/00; A63H 1/04; A63H 1/06; A63H
1/08; A63H 1/10; A63H 1/12; A63H
1/16; A63H 1/18; A63H 1/20; A63H
1/22; A63H 1/24; A63H 1/26; A63H
1/28; A63H 1/30; A63H 1/32; A63F 9/16;
A63F 2009/165; A63F 7/38; A63F 7/04;
A63F 7/3622; A63F 2007/345; A63F
2007/3633; A63F 2007/3648

See application file for complete search history.

(56) **References Cited**

U.S. PATENT DOCUMENTS

488,819 A * 12/1892 Keil A63F 7/04
273/117
1,052,581 A * 2/1913 Hamilton A63H 1/00
446/256
1,139,119 A * 5/1915 Heidenreich A63H 1/00
446/256

OTHER PUBLICATIONS

Lovevery Review The Explorer 9 to 10 Months. Date Posted: Apr. 24, 2021. Retrieved from internet: <<https://ayearofboxes.com/subscription-box-reviews/lovevery-review-the-explorer-9-to-10-months/>> [site visited Jun. 28, 2022] (Year: 2021).*

(Continued)

Primary Examiner — Katherine Glennon
Assistant Examiner — Yuan Yuan
(74) *Attorney, Agent, or Firm* — Fish & Richardson P.C.

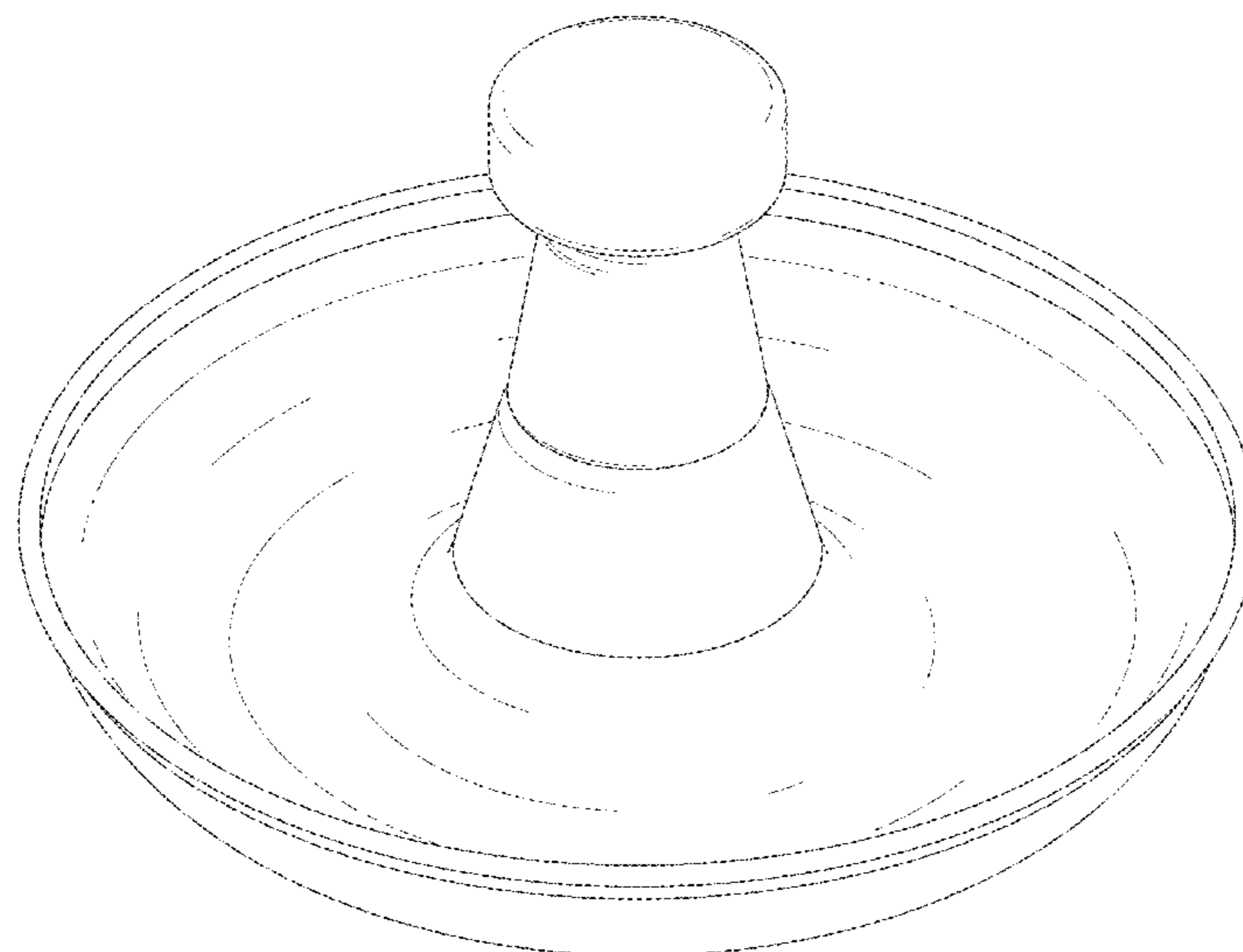
(57) **CLAIM**

The ornamental design for a turning toy, as shown and described.

DESCRIPTION

FIG. 1 is a first perspective view of our turning toy;
FIG. 2 is a second perspective view thereof;
FIG. 3 is a side view thereof;
FIG. 4 is a top view thereof;
FIG. 5 is a bottom view thereof; and,
FIG. 6 is a cross sectional view thereof, taken in a plane containing a vertical axis through its center.
The design is axisymmetric about a vertical axis through its center.

1 Claim, 6 Drawing Sheets



(56)

References Cited

U.S. PATENT DOCUMENTS

1,872,203 A * 8/1932 Wily A63H 1/00
 446/262
 D123,236 S * 10/1940 Perlmutter D7/613
 D156,331 S * 12/1949 French D30/129
 D163,084 S * 5/1951 Biener D6/536
 D218,982 S * 10/1970 Strongin D21/385
 D220,230 S * 3/1971 Friedman D7/547
 D272,958 S * 3/1984 Valencia D99/25
 D301,258 S * 5/1989 Olney D21/460
 D301,259 S * 5/1989 Rubino D21/460
 D356,010 S * 3/1995 McEntee D7/557
 D364,899 S * 12/1995 Molenaar D21/460
 D462,402 S * 9/2002 Makhotkin D21/460
 D488,741 S * 4/2004 Moya D11/143
 D559,472 S * 1/2008 Abinanti D30/129
 D577,962 S * 10/2008 Bauer D7/552.2
 D582,102 S * 12/2008 Roes D30/132
 D685,035 S * 6/2013 Kanbar D21/460
 D687,107 S * 7/2013 Kanbar D21/373
 8,858,291 B1 * 10/2014 Hahn A63H 1/00
 446/256

D810,497 S * 2/2018 Costa Llonch D7/354
 D818,760 S * 5/2018 Abbo D7/354
 D825,977 S * 8/2018 Maffei, Jr. D7/354
 D910,775 S * 2/2021 Cran D21/460
 D926,528 S * 8/2021 Brown D7/554.2
 D931,945 S * 9/2021 Plummer D21/460
 D931,946 S * 9/2021 Plummer D19/12
 2005/0009437 A1 * 1/2005 Hendron A63H 1/00
 446/85
 2015/0345945 A1 * 12/2015 Cook A63H 1/00
 74/5 R

OTHER PUBLICATIONS

DjuinoStar High Performance Spinning Top. Date First Available:
 Nov. 24, 2019. Retrieved from internet: <<https://www.amazon.ca/dp/B081F2T59C>> [site visited Jun. 28, 2022] (Year: 2019).*
 PETNF Cat Laser Toys. Date First Available: Mar. 23, 2020.
 Retrieved from internet: <<https://www.amazon.com/PETNF-Interactive-Automatic-Rechargeable-Settings/dp/B07YTJ47W8>> [site visited
 Jun. 30, 2022] (Year: 2020).*

* cited by examiner

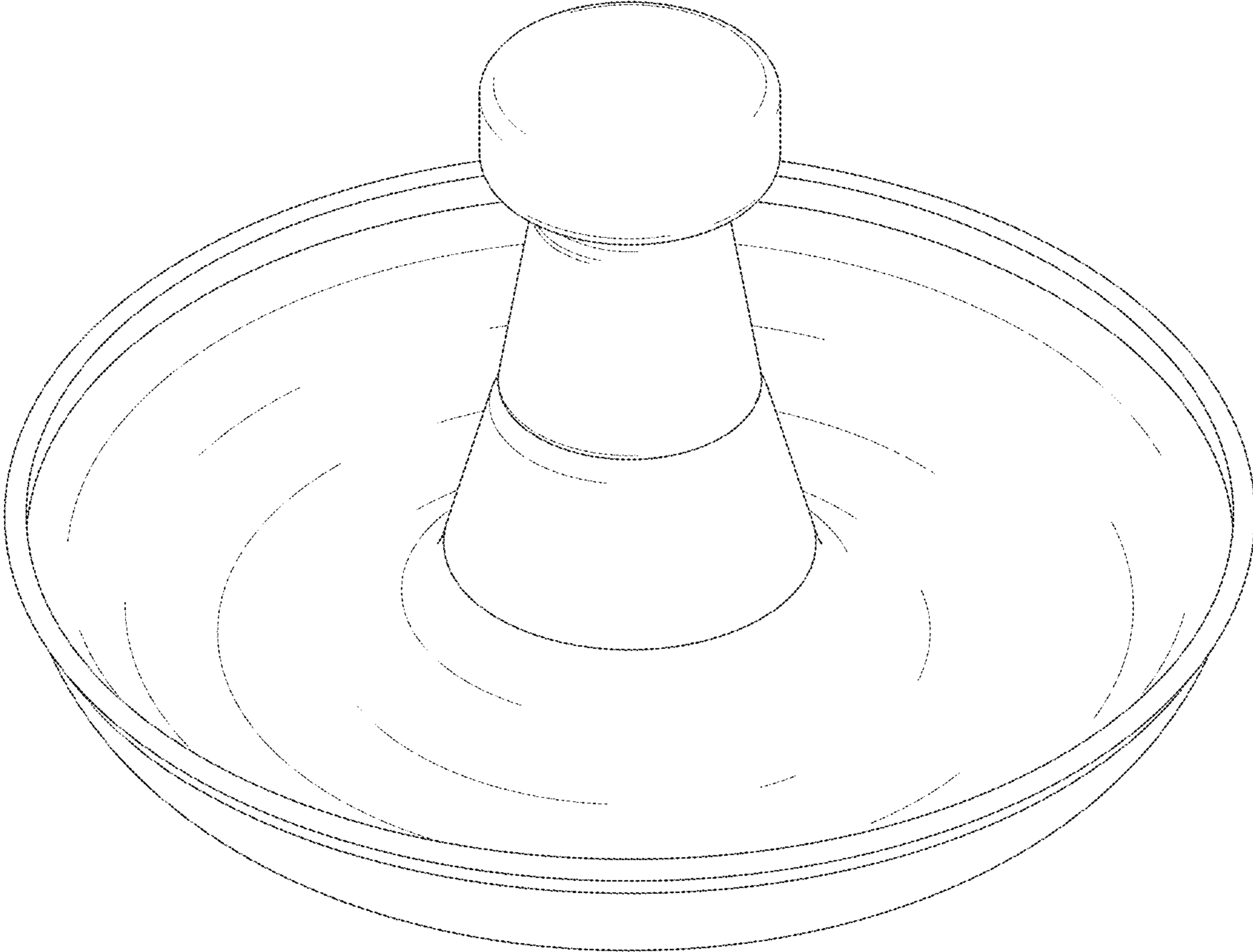


FIG. 1

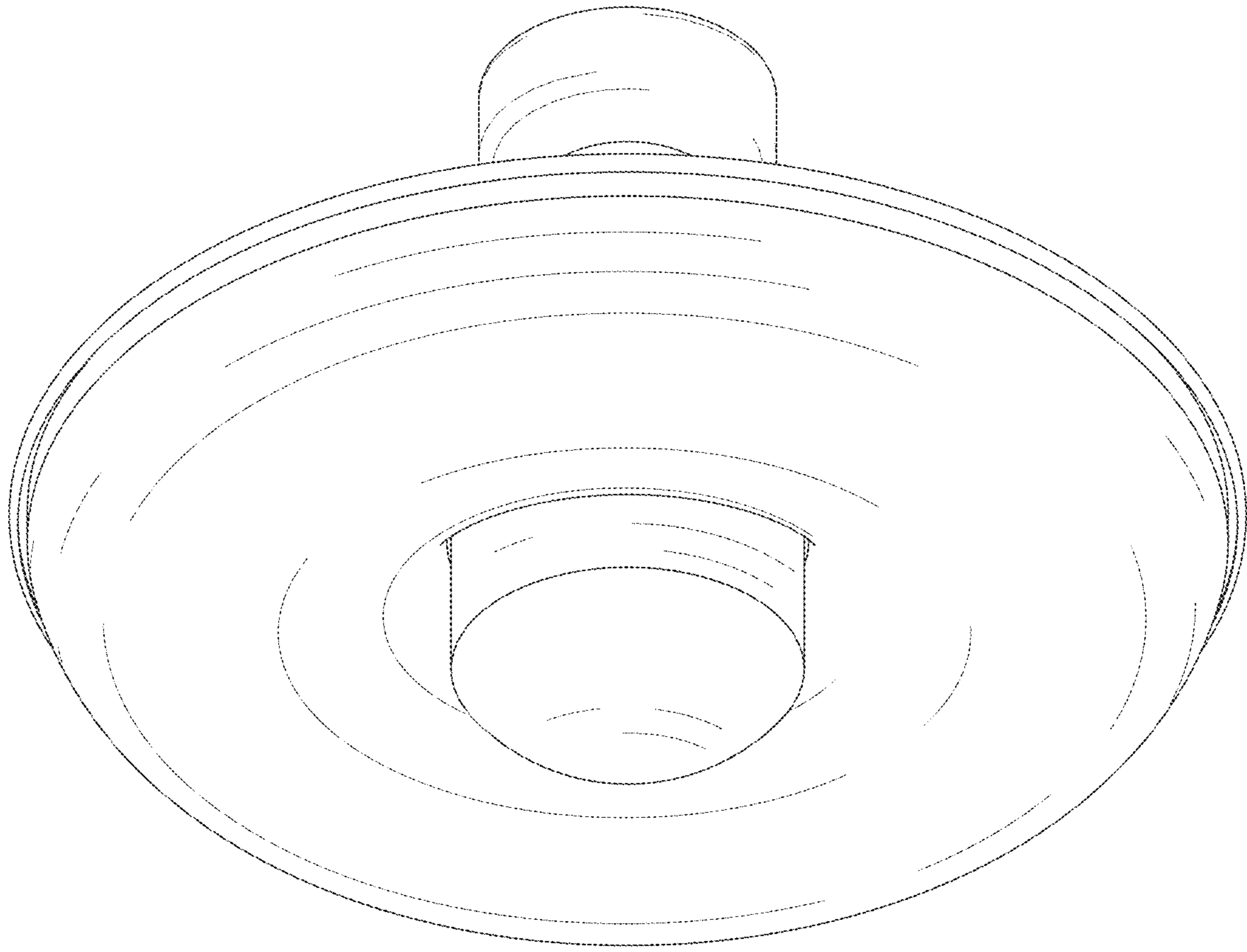


FIG. 2

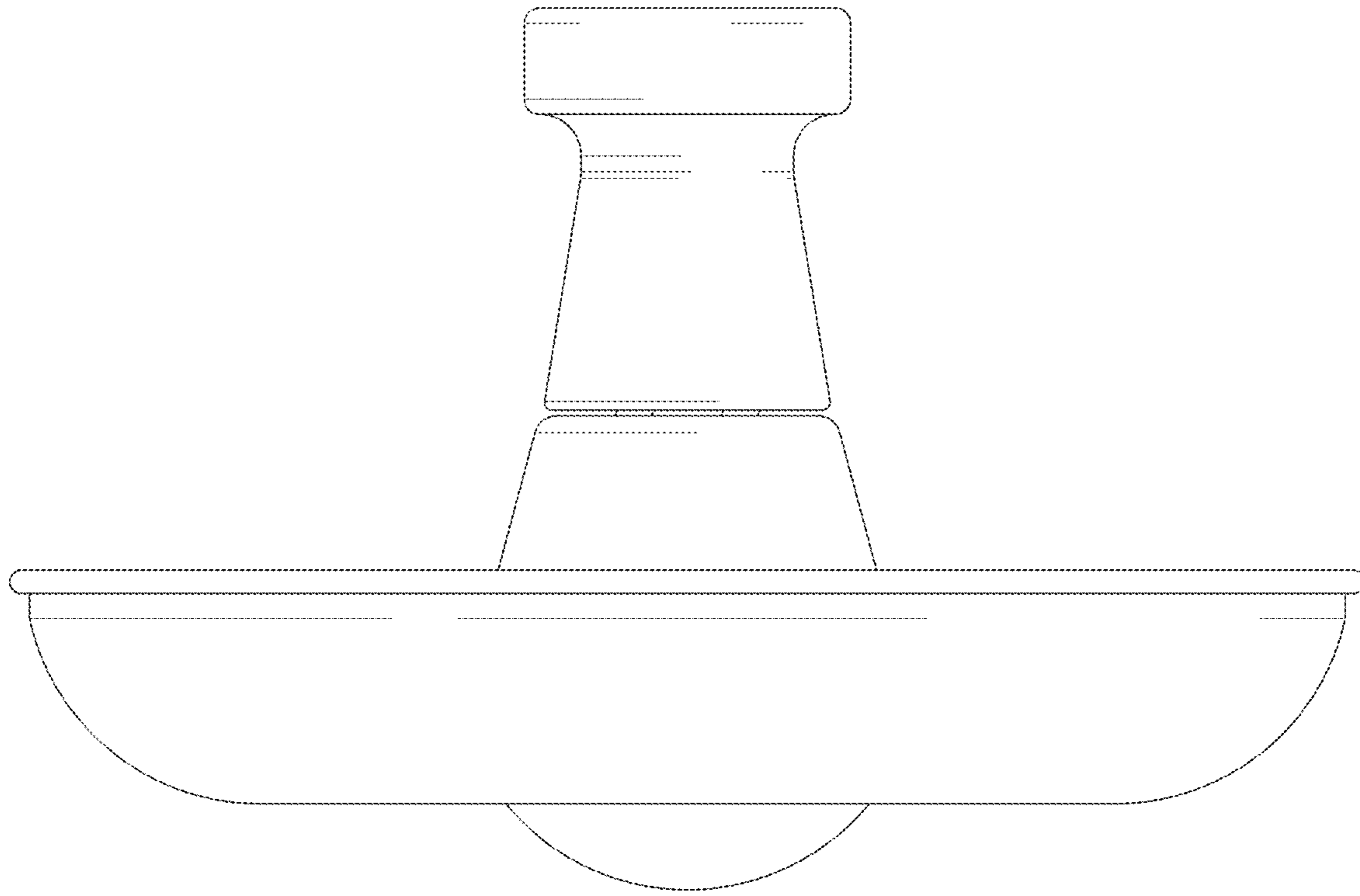


FIG. 3

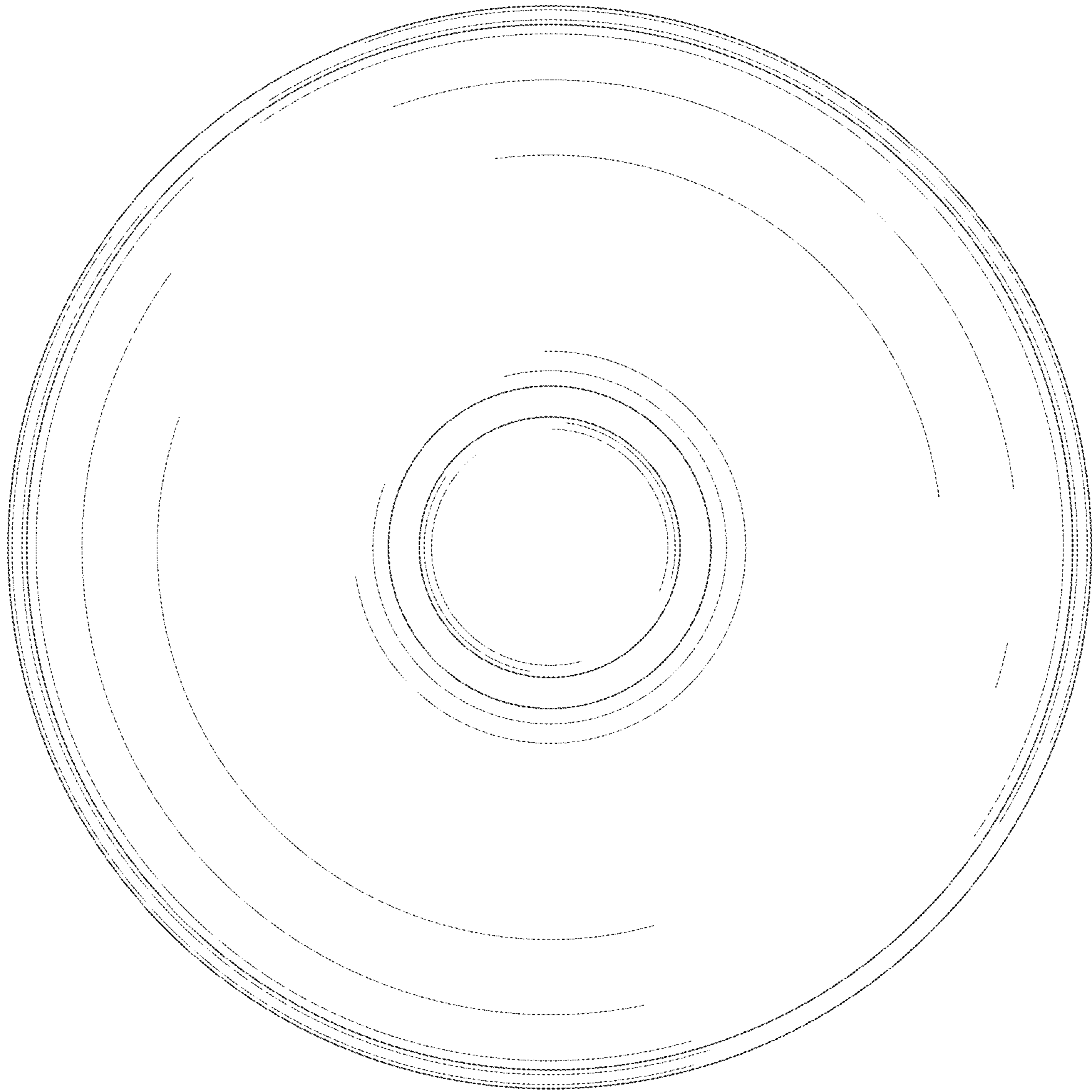


FIG. 4

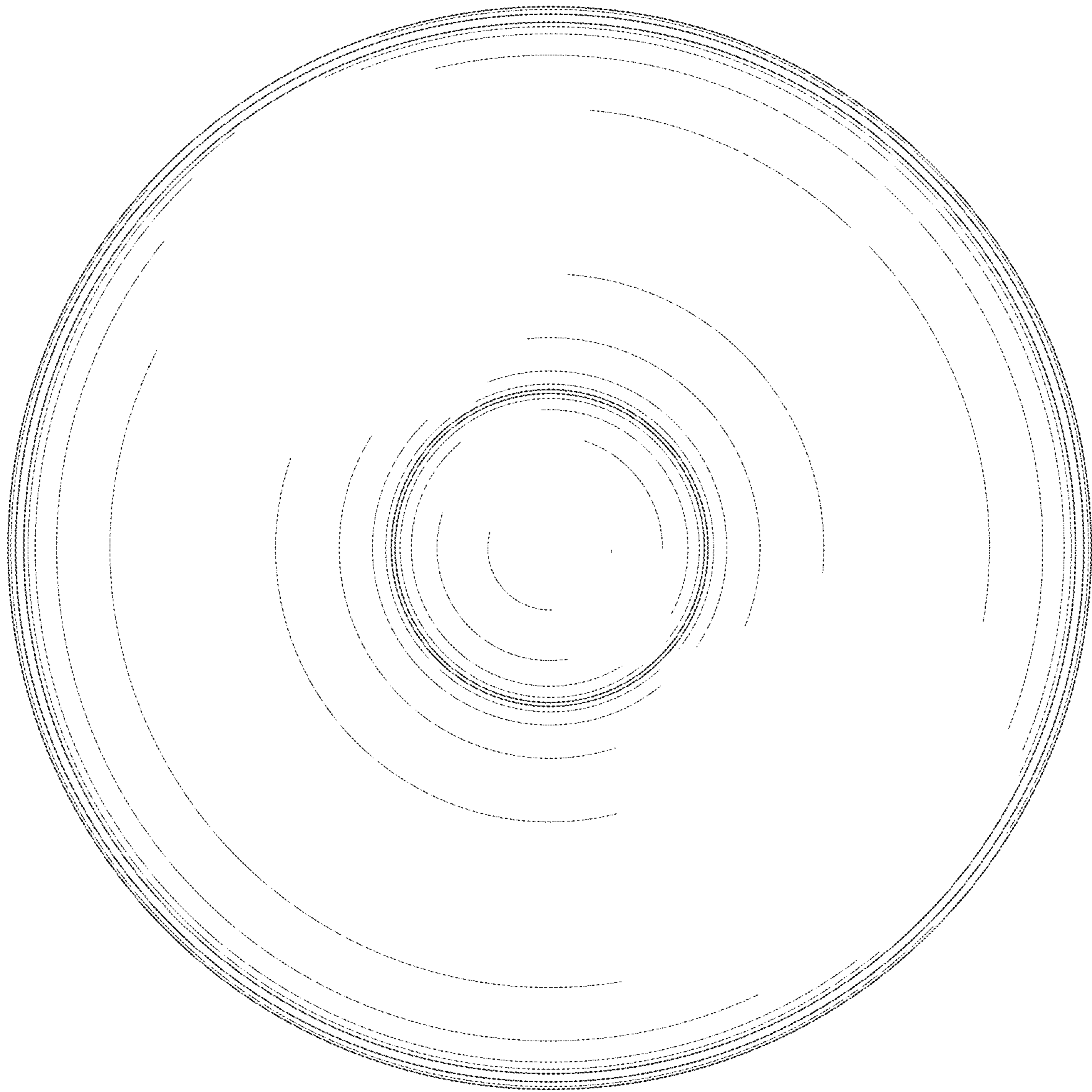


FIG. 5

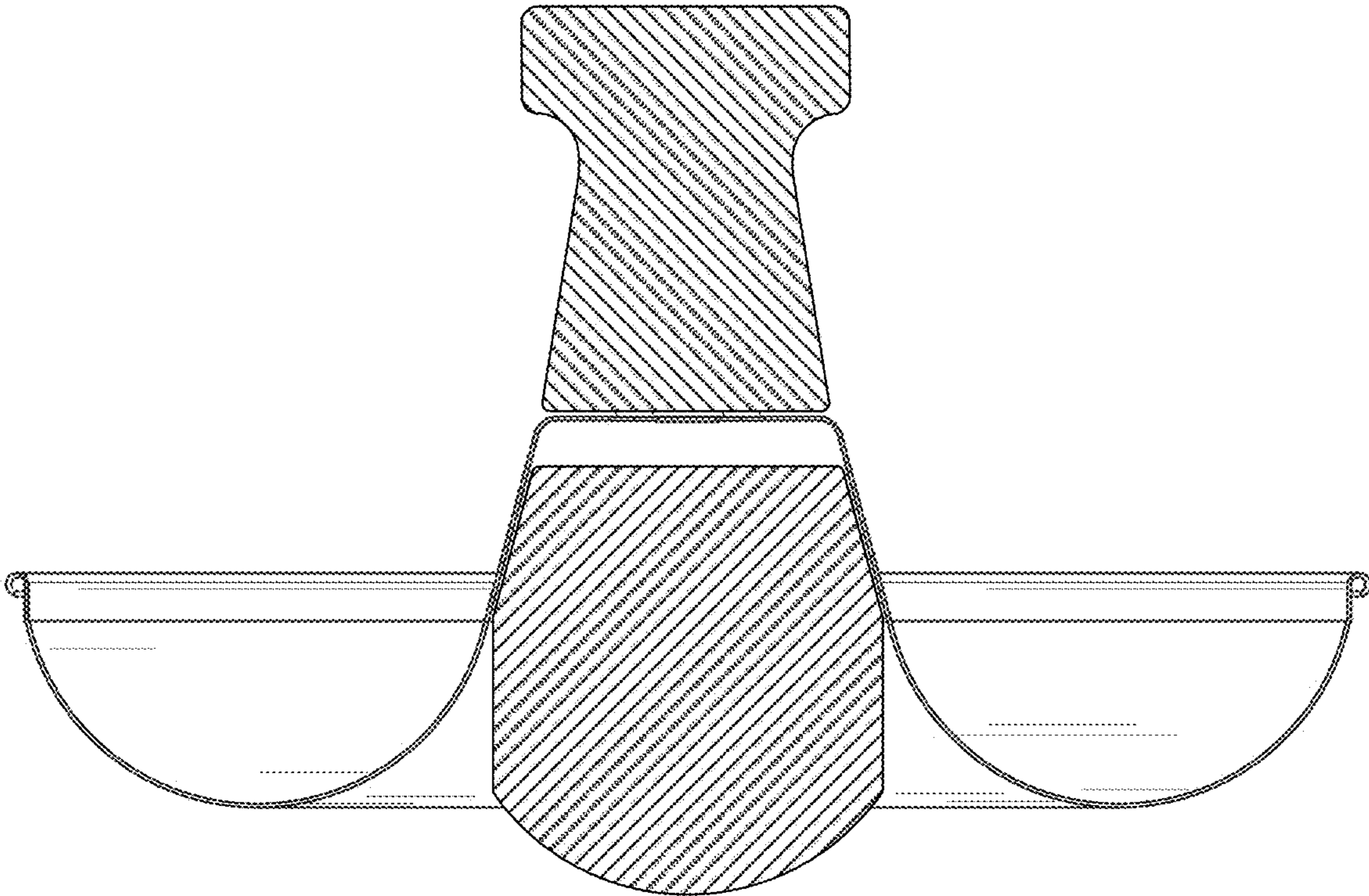


FIG. 6