



US00D986979S

(12) **United States Design Patent**  
**Hu et al.**

(10) **Patent No.:** **US D986,979 S**  
(45) **Date of Patent:** **\*\* May 23, 2023**

(54) **SCOOTER**

(71) Applicant: **Beijing Niu Information Technology Co., Ltd., Beijing (CN)**

(72) Inventors: **Yilin Hu, Beijing (CN); Chuankai Liu, Beijing (CN); Hao Miao, Beijing (CN)**

(73) Assignee: **Beijing Niu Information Technology Co., Ltd., Beijing (CN)**

(\*\*) Term: **15 Years**

(21) Appl. No.: **29/740,356**

(22) Filed: **Jul. 2, 2020**

(30) **Foreign Application Priority Data**

Jan. 3, 2020 (CN) ..... 202030003265.3

(51) **LOC (14) Cl.** ..... **12-11**

(52) **U.S. Cl.**  
USPC ..... **D21/423**

(58) **Field of Classification Search**  
USPC ..... D21/419, 421, 423, 760, 765, 771;  
D12/1, 8, 107, 110, 112-114  
CPC . B62K 3/002; B62K 9/00; B62K 9/02; B62K  
2202/00; B62K 13/00; B62K 11/00;  
B62K 11/02; B62K 11/06; B62K 11/10;  
B62K 15/00; B62K 17/00; B60Y  
2200/126; H04W 4/40  
See application file for complete search history.

(56) **References Cited**

**U.S. PATENT DOCUMENTS**

2,076,804 A \* 4/1937 Winding ..... B62M 1/32  
188/24.11  
D450,354 S \* 11/2001 Tsai ..... D21/423  
D778,806 S \* 2/2017 Welford ..... D12/423  
D829,826 S \* 10/2018 Liu ..... D21/423  
D834,097 S \* 11/2018 Lin ..... D21/423  
D858,647 S \* 9/2019 Liu ..... D21/423

D886,907 S \* 6/2020 Gao ..... D21/423  
D900,237 S \* 10/2020 Lee ..... D21/423  
D912,159 S \* 3/2021 Lee ..... D21/423  
D912,736 S \* 3/2021 Lee ..... D21/423  
D914,106 S \* 3/2021 Murphy ..... D21/423  
D917,624 S \* 4/2021 Wu ..... D21/423

(Continued)

**FOREIGN PATENT DOCUMENTS**

CN 104260808 A \* 1/2015 ..... B62K 11/00  
CN 303684781 \* 5/2016

(Continued)

**OTHER PUBLICATIONS**

“Segway Ninebot ES4 Electric Kick Scooter,” Jul. 1, 2019, amazon.com, site visited Aug. 4, 2022, URL: [https://www.amazon.com/ES4-Electric-Additional-Lightweight-Foldable/dp/B07TNCWY82/ref=sr\\_1\\_10?crd=8YPEIZBUMZFE&keywords=ninebot+scooter&qid=1659616626&sprefix=ninebot+scooter%2Caps%2C85&sr=8-10](https://www.amazon.com/ES4-Electric-Additional-Lightweight-Foldable/dp/B07TNCWY82/ref=sr_1_10?crd=8YPEIZBUMZFE&keywords=ninebot+scooter&qid=1659616626&sprefix=ninebot+scooter%2Caps%2C85&sr=8-10) (Year: 2019).\*

(Continued)

*Primary Examiner* — Christy Nemeth  
*Assistant Examiner* — Sarah L Smith

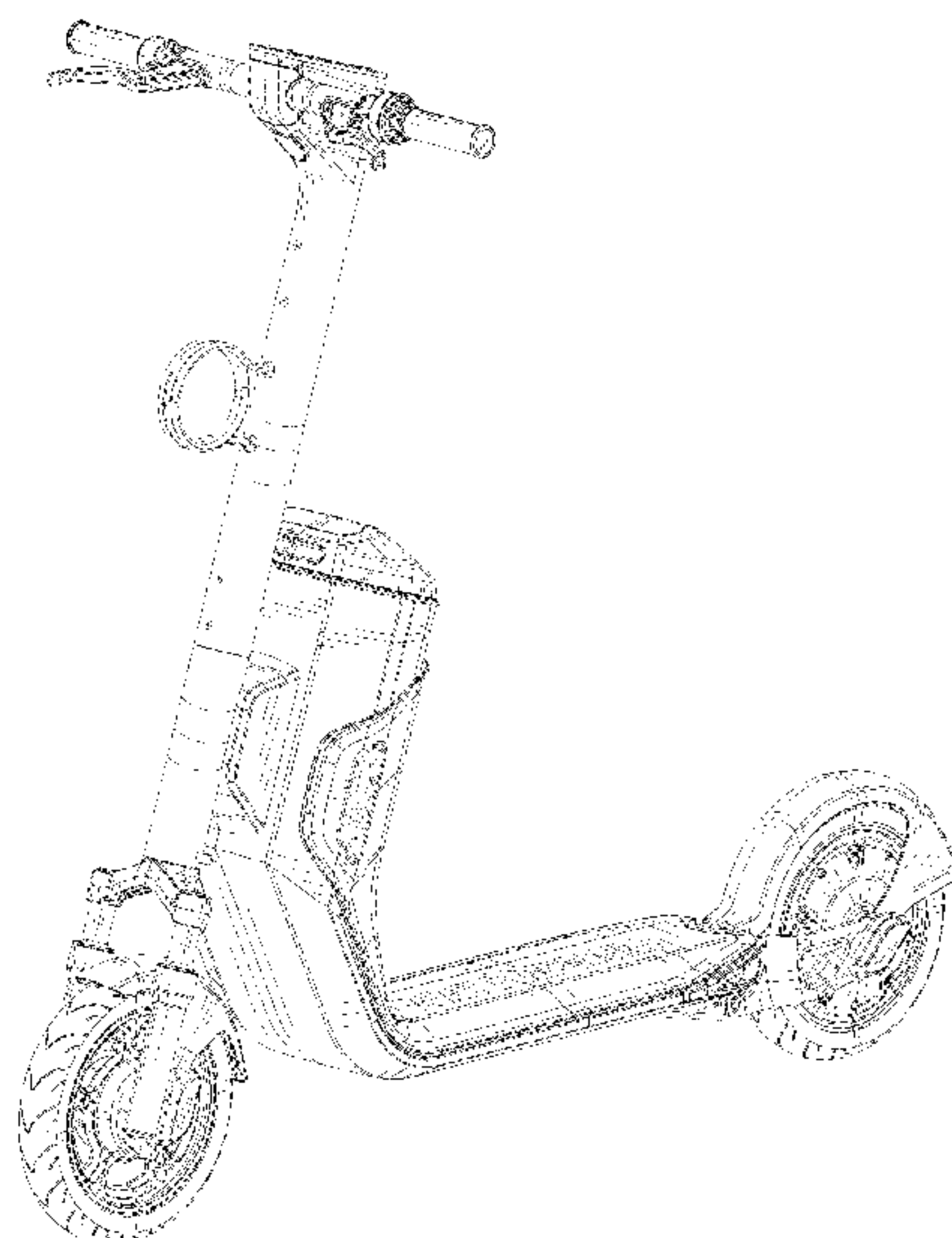
(57) **CLAIM**

The ornamental design for a scooter, as shown and described.

**DESCRIPTION**

FIG. 1 is a front view of a scooter showing my new design; FIG. 2 is a rear view thereof; FIG. 3 is a left view thereof; FIG. 4 is a right view thereof; FIG. 5 is a top view thereof; FIG. 6 is a bottom view thereof; and, FIG. 7 is a perspective view thereof. The broken lines in the drawings illustrate portions of the scooter and form no part of the claimed design.

**1 Claim, 6 Drawing Sheets**



(56)

**References Cited**

U.S. PATENT DOCUMENTS

D917,625	S	*	4/2021	Lee	.....	D21/423
D923,714	S	*	6/2021	Shen	.....	D21/423
D927,604	S	*	8/2021	Han	.....	D21/423
D936,151	S	*	11/2021	Lisle	.....	D21/423
D940,252	S	*	1/2022	Deng	.....	D21/423
D943,030	S	*	2/2022	Chen	.....	D21/423
D943,677	S	*	2/2022	Ying	.....	D21/423
D949,748	S	*	4/2022	Lu	.....	D12/110
D957,533	S	*	7/2022	Burkatskyy	.....	D21/423
D958,257	S	*	7/2022	Cai	.....	D21/423
D958,900	S	*	7/2022	Liu	.....	D21/423
2002/0066610	A1	*	6/2002	Tsai	.....	B62M 6/75 180/68.5
2002/0070063	A1	*	6/2002	Tsai	.....	B62M 13/00 180/68.5

FOREIGN PATENT DOCUMENTS

CN	112896397	A	*	6/2021	.....	B62K 15/00
DE	20311238	U1	*	9/2003	.....	B62K 3/002
EM	005843398-0001		*	12/2018		
EP	3943373	A1	*	1/2022		
RU	00095647		*	10/2015	.....	B62K 15/00
TW	168000-0001		*	5/2015	.....	B62K 3/002

OTHER PUBLICATIONS

Sasha Lekach, "Privacy groups actually side with Uber in scooter data fight," Oct. 29, 2019, URL: <https://mashable.com/article/uber-jump-scooter-la-data-policy> (Year: 2019).\*

\* cited by examiner



FIG. 1



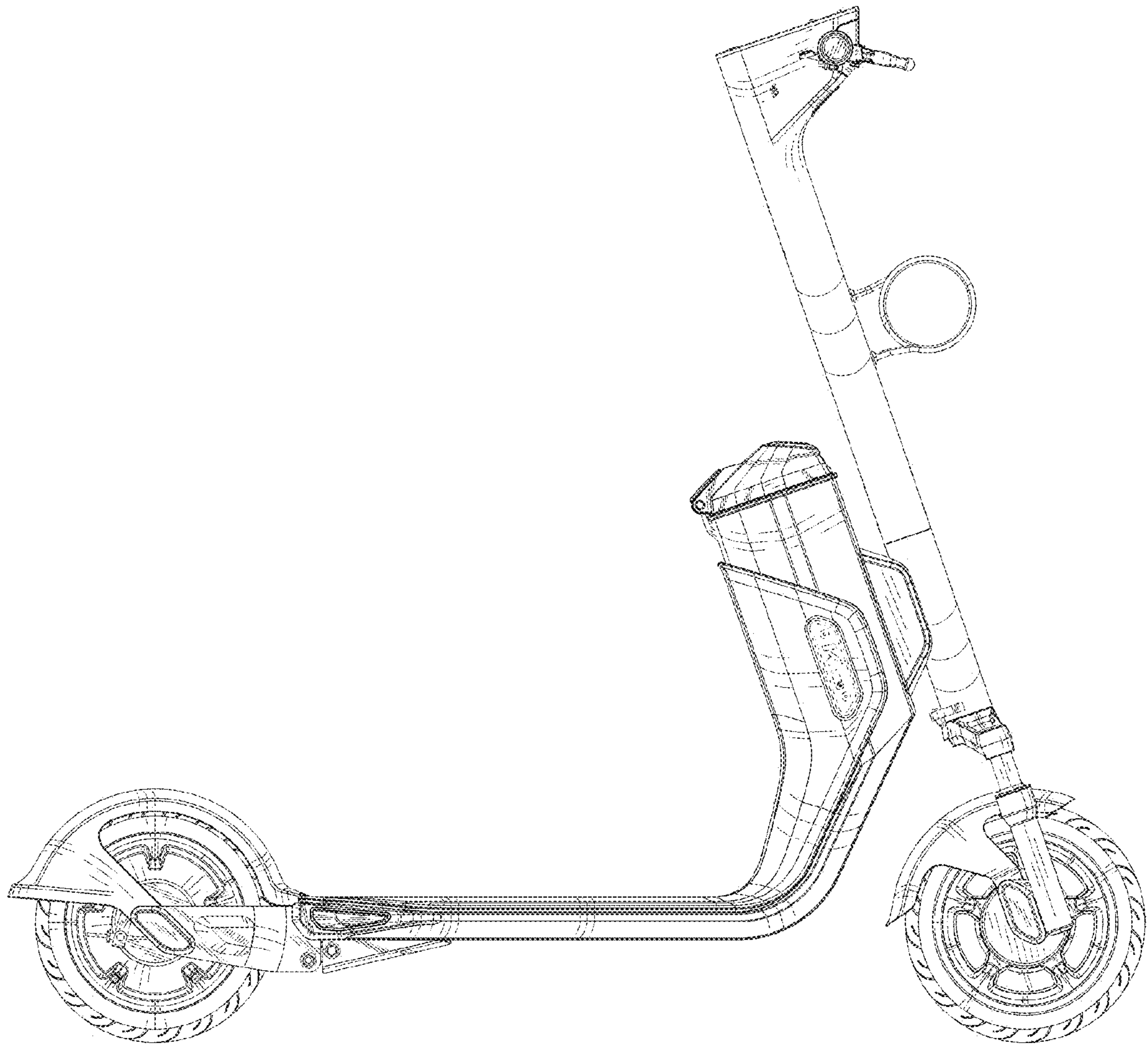


FIG. 2

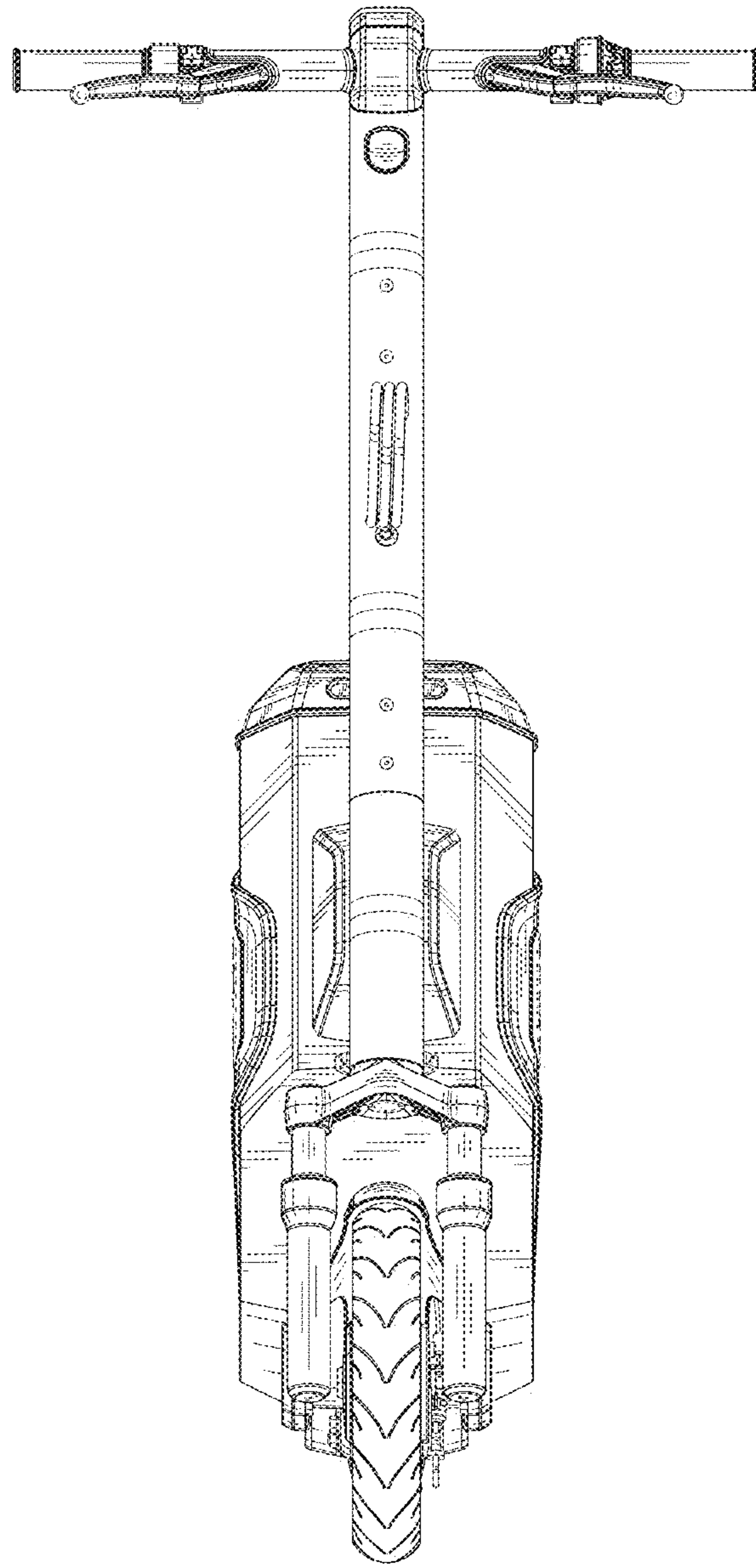


FIG.3

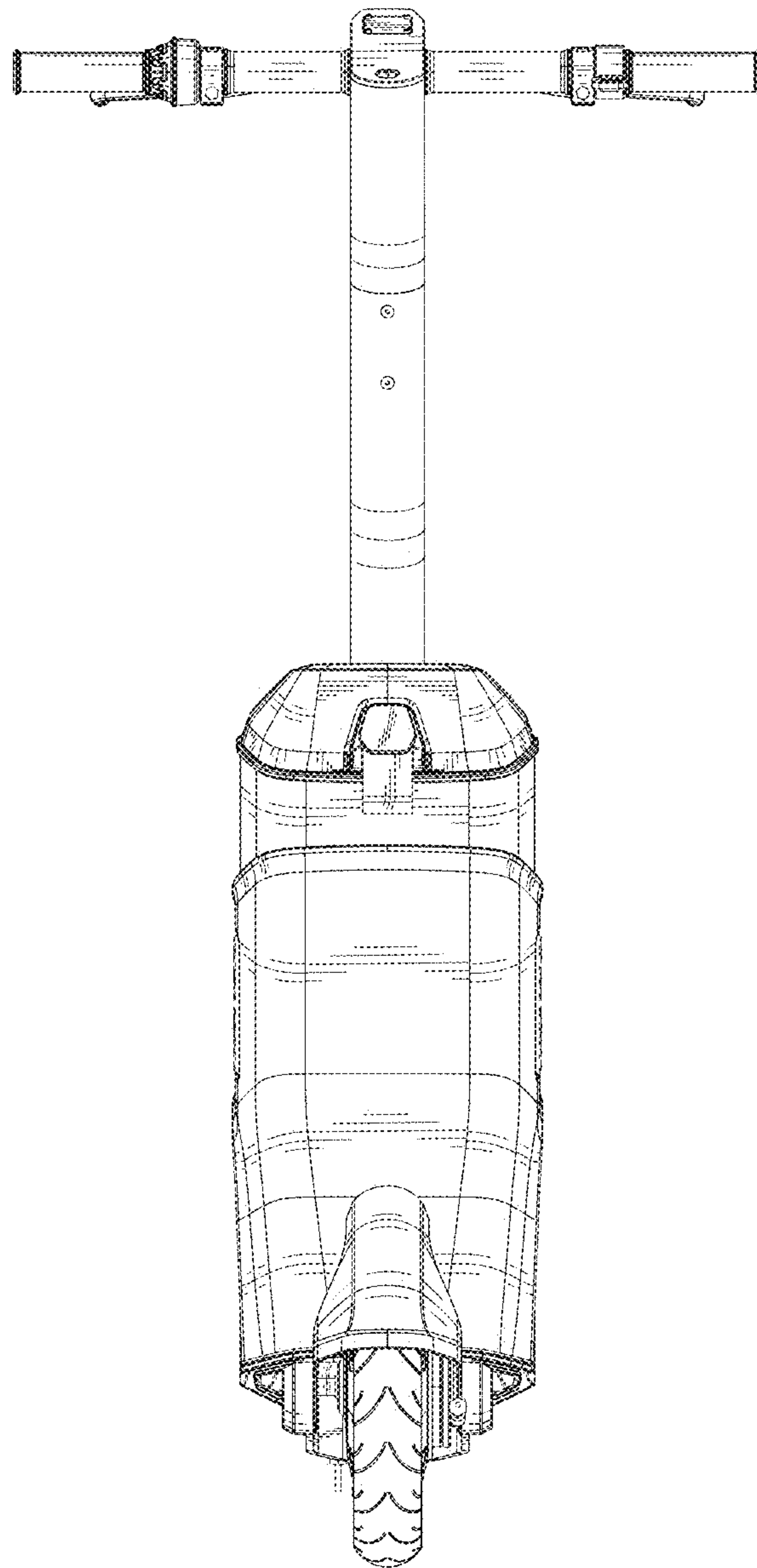


FIG.4

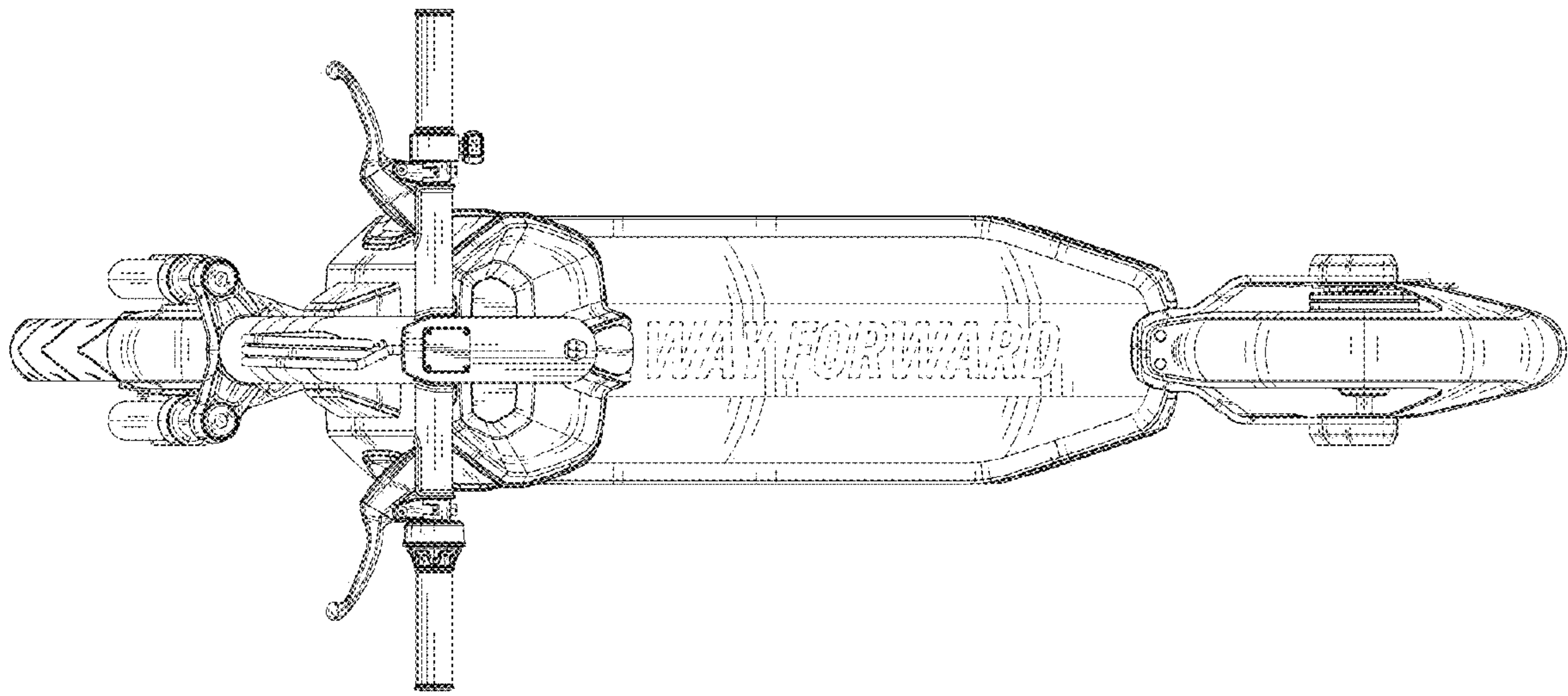


FIG. 5

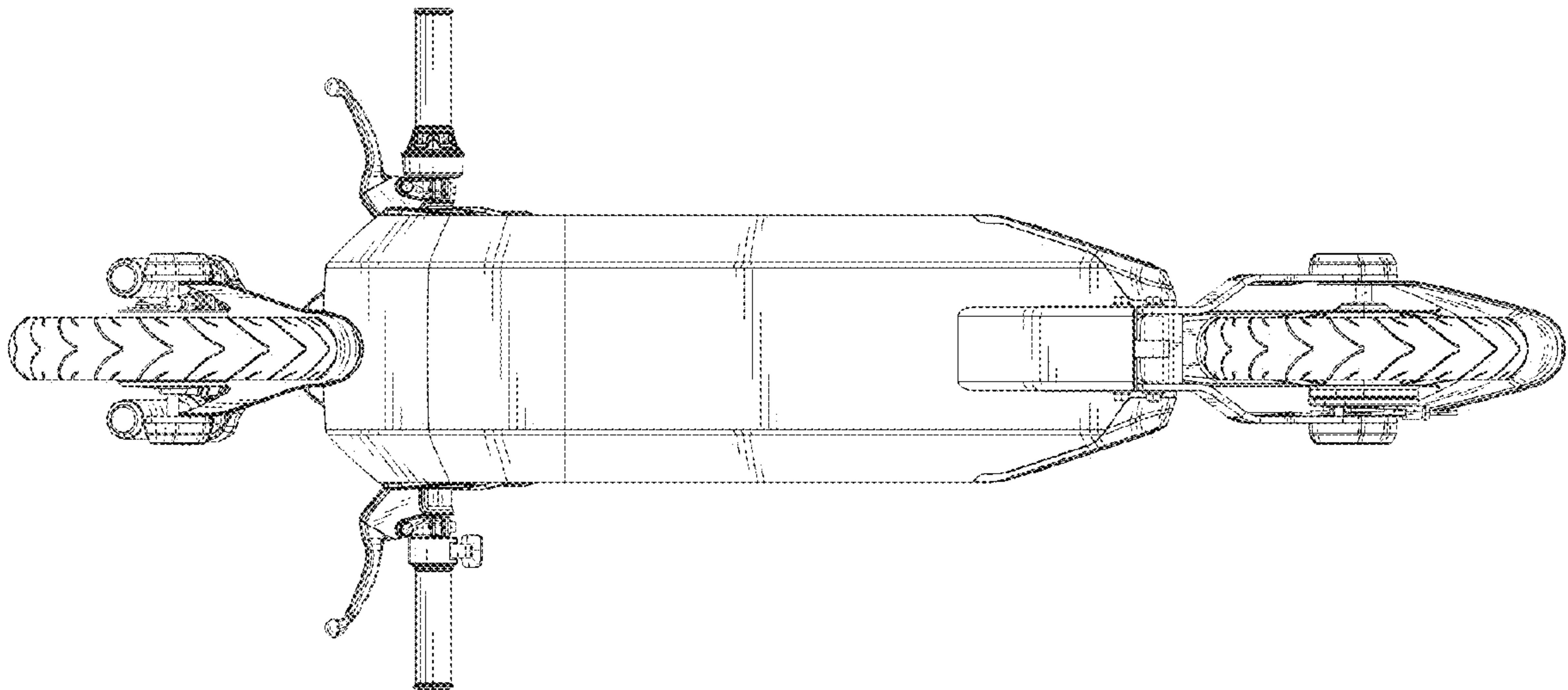


FIG. 6



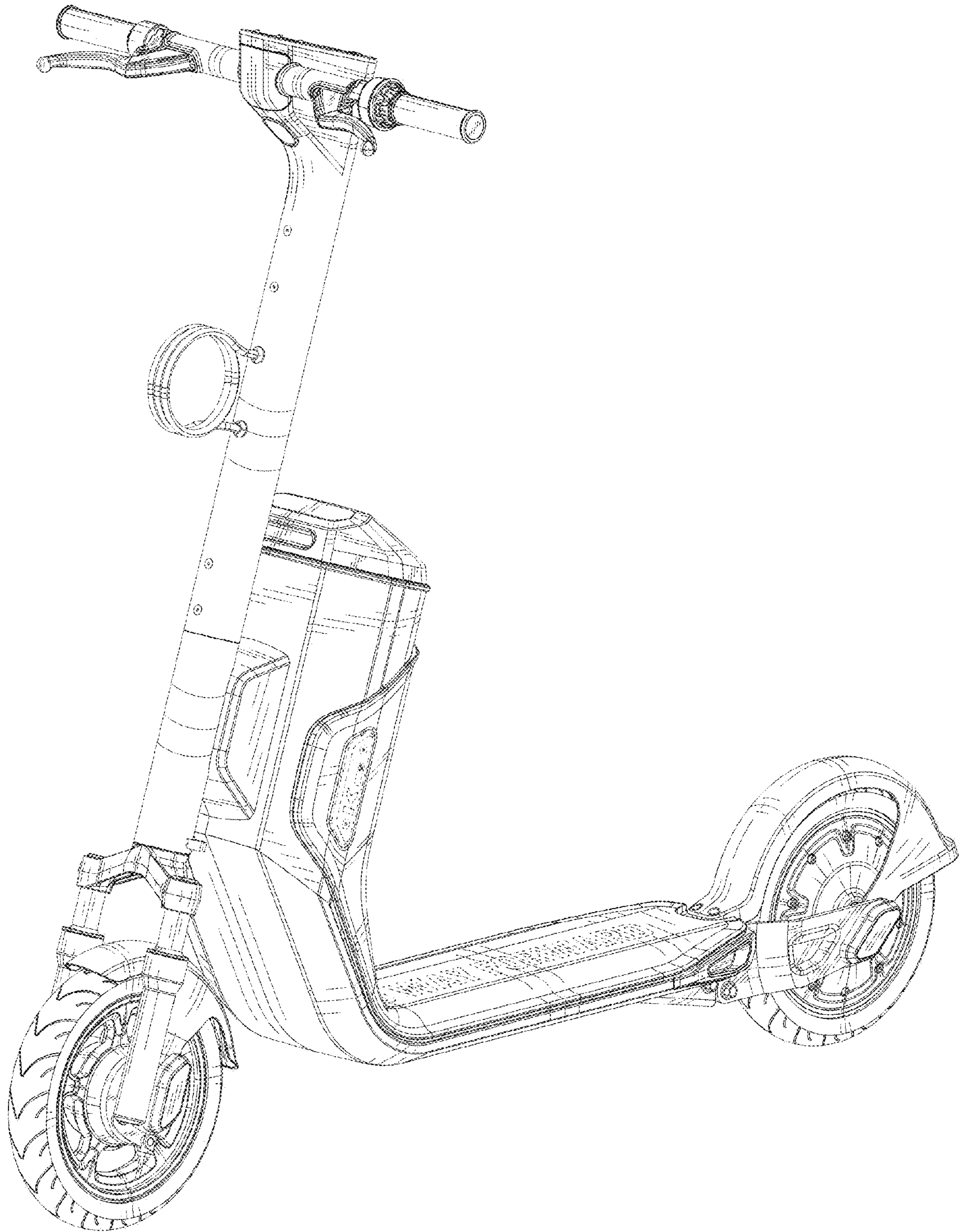


FIG.7