



US00D986978S

(12) **United States Design Patent** (10) **Patent No.:** **US D986,978 S**
Bussey et al. (45) **Date of Patent:** **** May 23, 2023**

(54) **GAMING MACHINE**
(71) Applicant: **Everi Games, Inc.**, Austin, TX (US)
(72) Inventors: **Travis Bussey**, Austin, TX (US); **Daniel Gibson**, Austin, TX (US); **Peter A. Phillips, Jr.**, Austin, TX (US); **Courtney Bell**, Austin, TX (US); **Charles Curbbun**, Encinitas, CA (US); **Michael Conway**, Austin, TX (US)
(73) Assignee: **Everi Games, Inc.**, Austin, TX (US)
(**) Term: **15 Years**
(21) Appl. No.: **29/809,712**
(22) Filed: **Sep. 29, 2021**
(51) **LOC (14) Cl.** **23-03**
(52) **U.S. Cl.**
USPC **D21/369**; D21/370
(58) **Field of Classification Search**
USPC D21/369, 324, 325, 326, 329, 370
CPC A63F 2003/00167; A63F 2003/0017; A63F 2003/00646; A63F 2003/00649; A63F 2003/00652; A63F 2003/00656; A63F 2003/00659; A63F 3/0645; A63F 5/0005; A63F 5/0058; A63F 5/0064; G07F 5/02; G07F 5/04; G07F 5/06; G07F 5/08; G07F 1/02; G07F 5/10; G07F 5/12; G07F 5/16; G07F 5/14
See application file for complete search history.

(56) **References Cited**
U.S. PATENT DOCUMENTS
D275,117 S * 8/1984 Heywood D21/370
D278,069 S * 3/1985 Wichinsky D21/370
D371,168 S * 6/1996 Takemoto D21/370
D378,224 S * 2/1997 Brettschneider D21/370
D381,700 S * 7/1997 Brettschneider D21/370
D489,417 S * 5/2004 Munoz D21/370
D509,256 S * 9/2005 Pierce D21/370

D554,708 S 11/2007 Gutknecht et al.
D557,348 S 12/2007 Gutknecht et al.
D566,198 S 4/2008 Gutknecht et al.
D613,802 S * 4/2010 Meyers D21/370
D615,598 S * 5/2010 McComb D21/370
D619,660 S * 7/2010 Cole D21/370
D626,183 S * 10/2010 Cole D21/370
(Continued)

OTHER PUBLICATIONS

Everi Games Inc. Player Classic Gaming Cabinet 3.0 Brochure, Mar. 2016.
Everi Games Inc. Player Classic Gaming Cabinet Brochure, 2011.

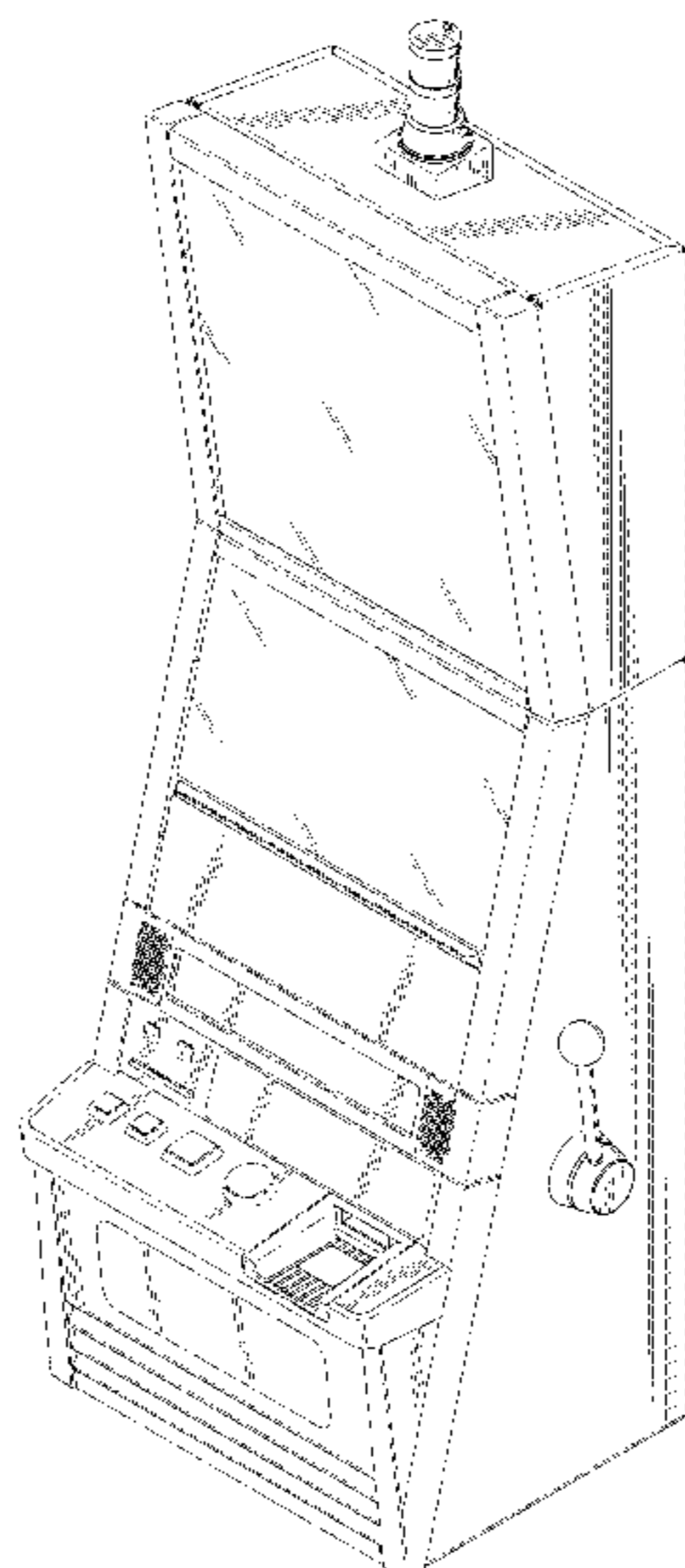
Primary Examiner — Katherine A Holbrow
Assistant Examiner — Riya Salil Kamat
(74) *Attorney, Agent, or Firm* — The Culbertson Group, P.C.

(57) **CLAIM**
The ornamental design for a gaming machine, as shown.

DESCRIPTION

FIG. 1 is a perspective view from above and to the right of a gaming machine showing the design.
FIG. 2 is a perspective view from below and to the left of the gaming machine shown in FIG. 1.
FIG. 3 is a front view of the gaming machine shown in FIG. 1.
FIG. 4 is a back view of the gaming machine shown in FIG. 1.
FIG. 5 is a right side view of the gaming machine shown in FIG. 1.
FIG. 6 is a left side view of the gaming machine shown in FIG. 1.
FIG. 7 is a top view of the gaming machine shown in FIG. 1; and
FIG. 8 is a bottom view of the gaming machine shown in FIG. 1.

1 Claim, 7 Drawing Sheets



(56)

References Cited

U.S. PATENT DOCUMENTS

D684,216 S *	6/2013	Terpstra	D21/385
9,418,514 B2 *	8/2016	Watkins	G07F 17/3258
2003/0083124 A1 *	5/2003	Sunaga	G07F 17/32
			463/20
2003/0162582 A1 *	8/2003	Gordon	G07F 17/32
			463/20
2007/0021180 A1 *	1/2007	Osawa	G07F 17/3213
			463/16
2008/0311987 A1 *	12/2008	Hirato	G07F 17/32
			463/31
2021/0125464 A1 *	4/2021	Hirata	G07F 17/34

* cited by examiner

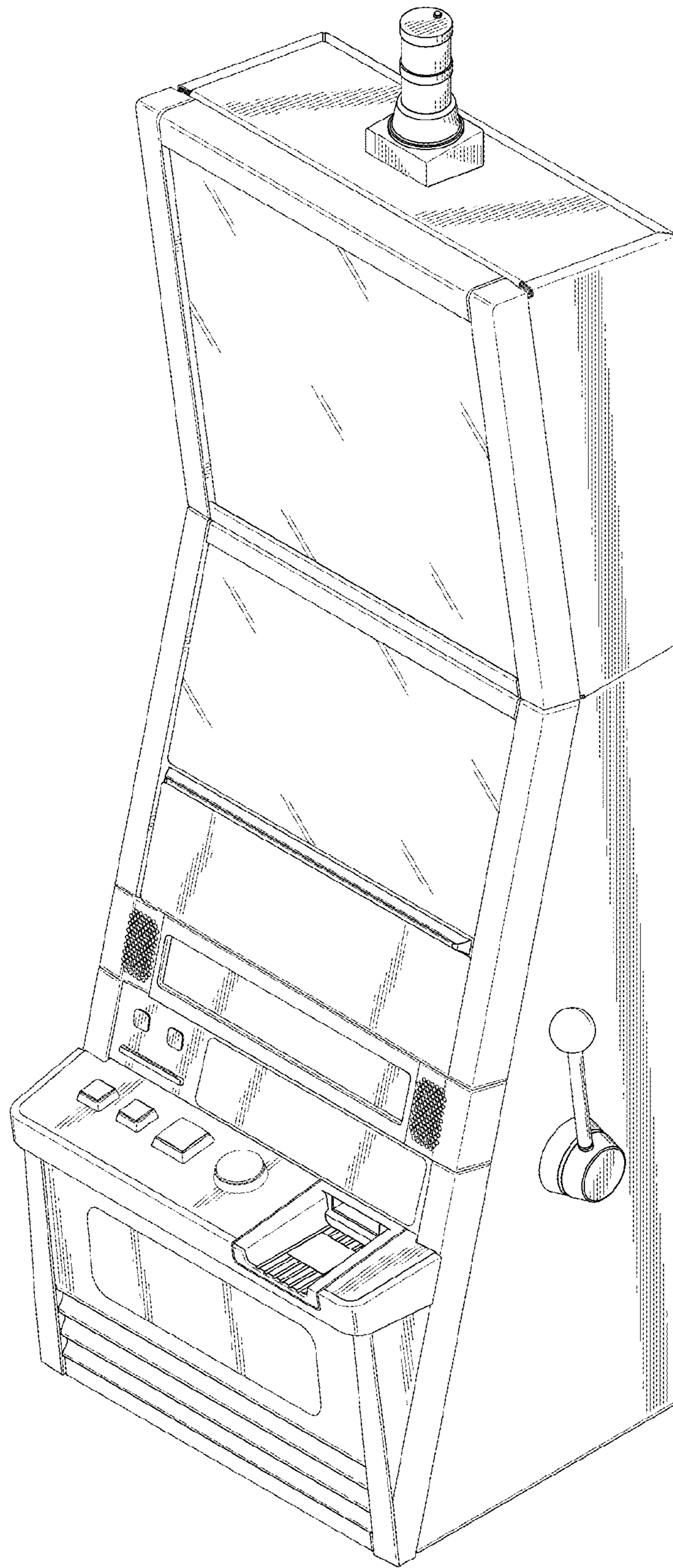


FIG. 1

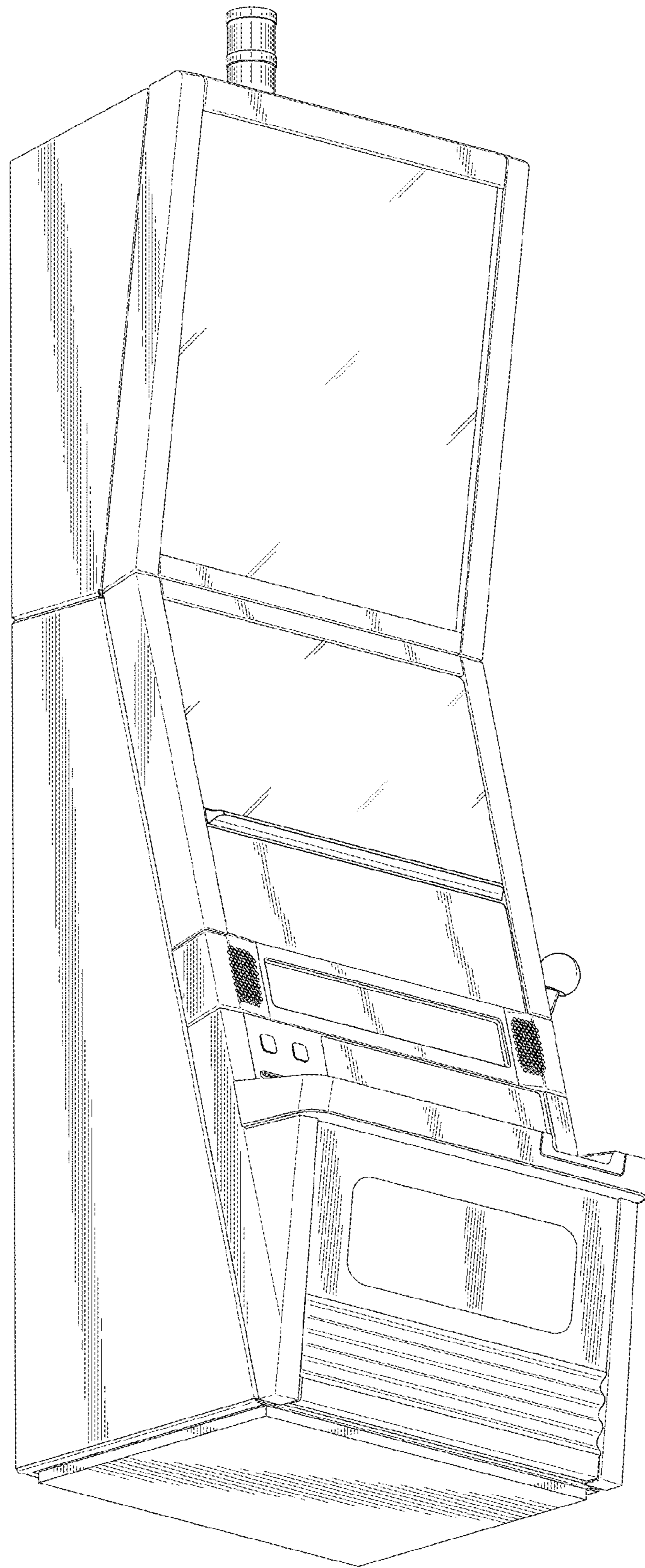


FIG. 2

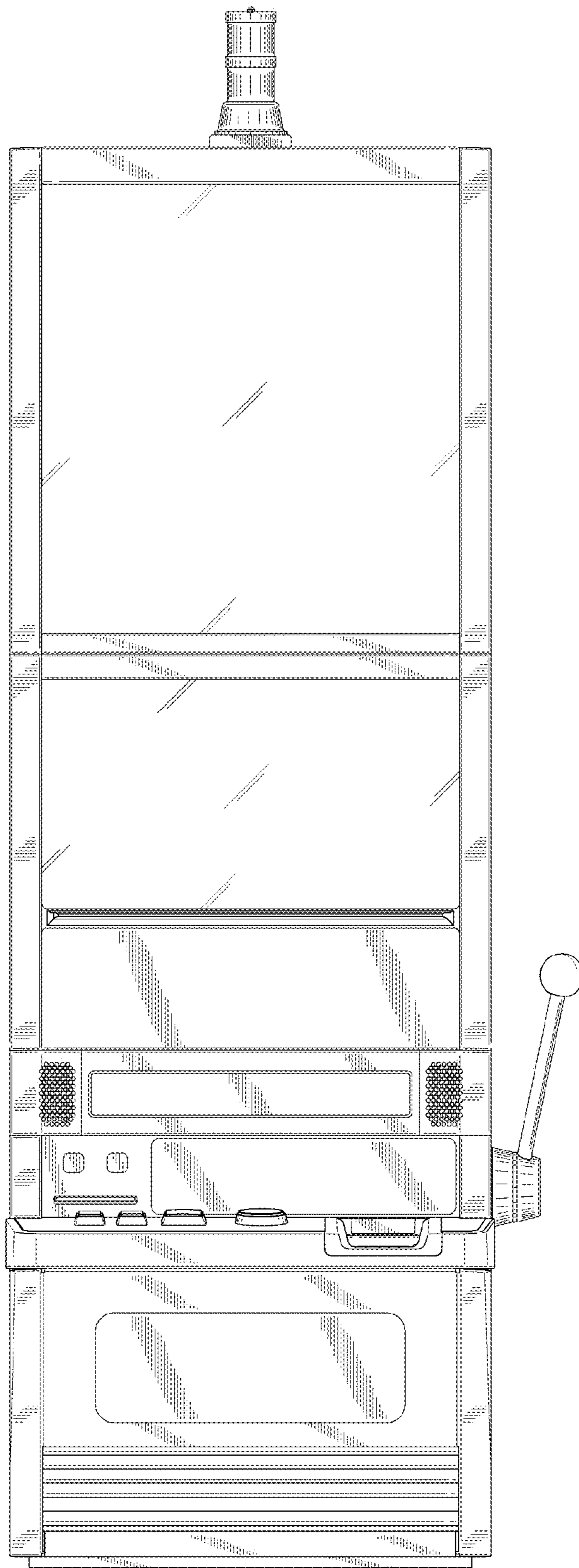


FIG. 3

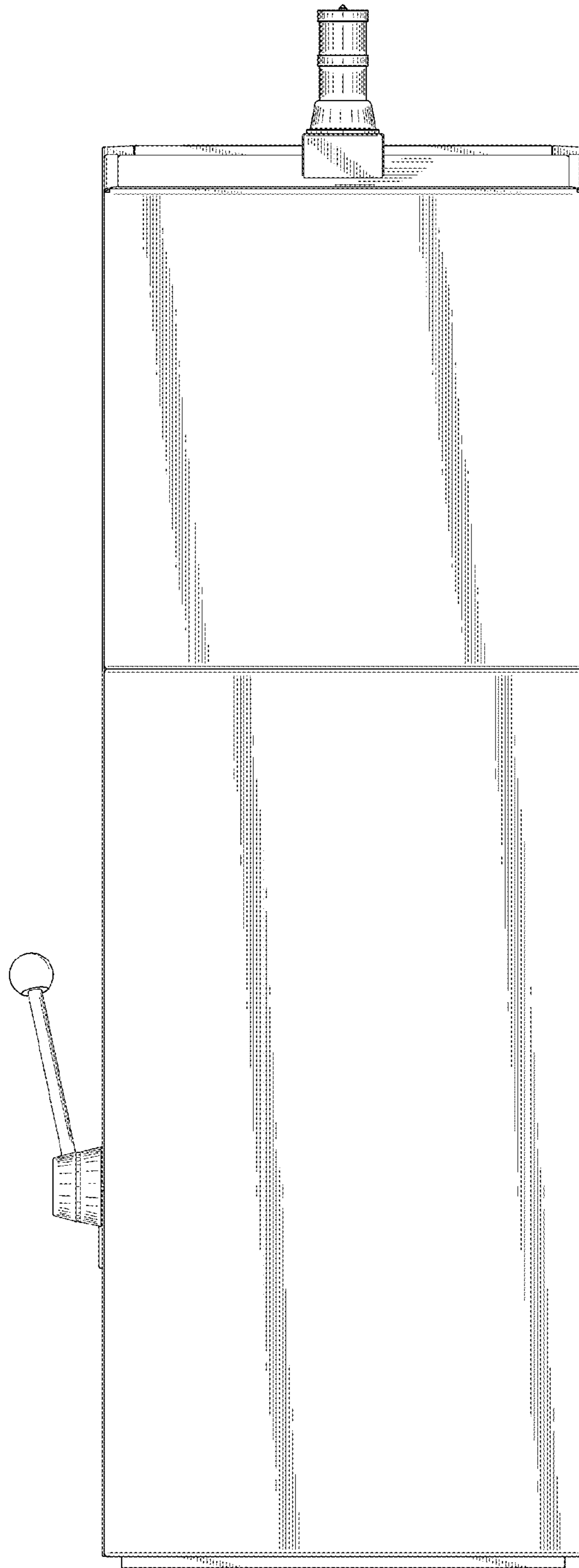


FIG. 4

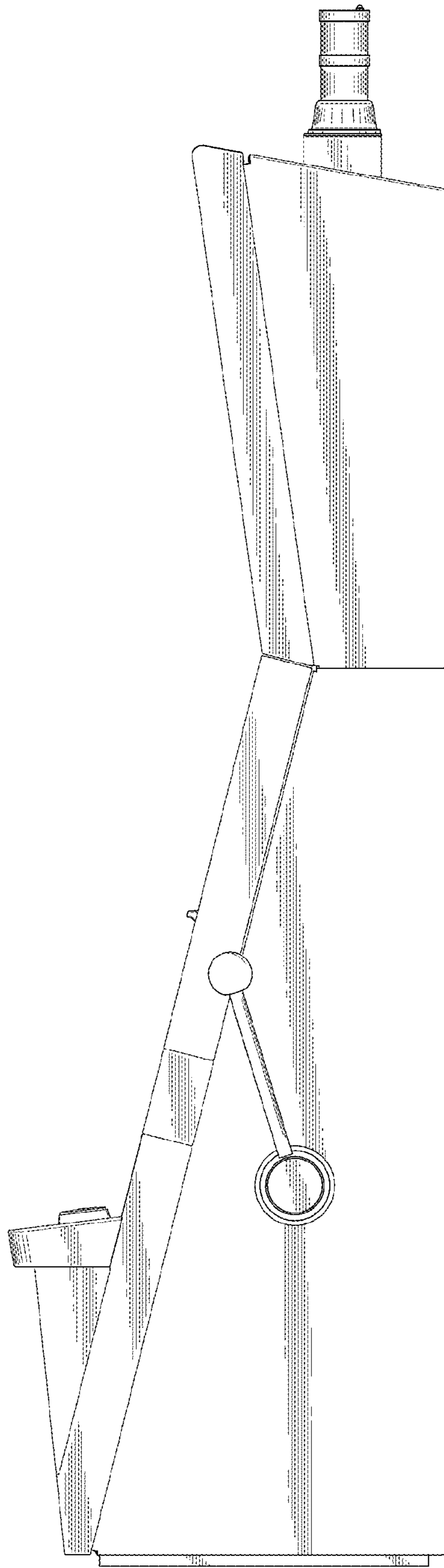


FIG. 5

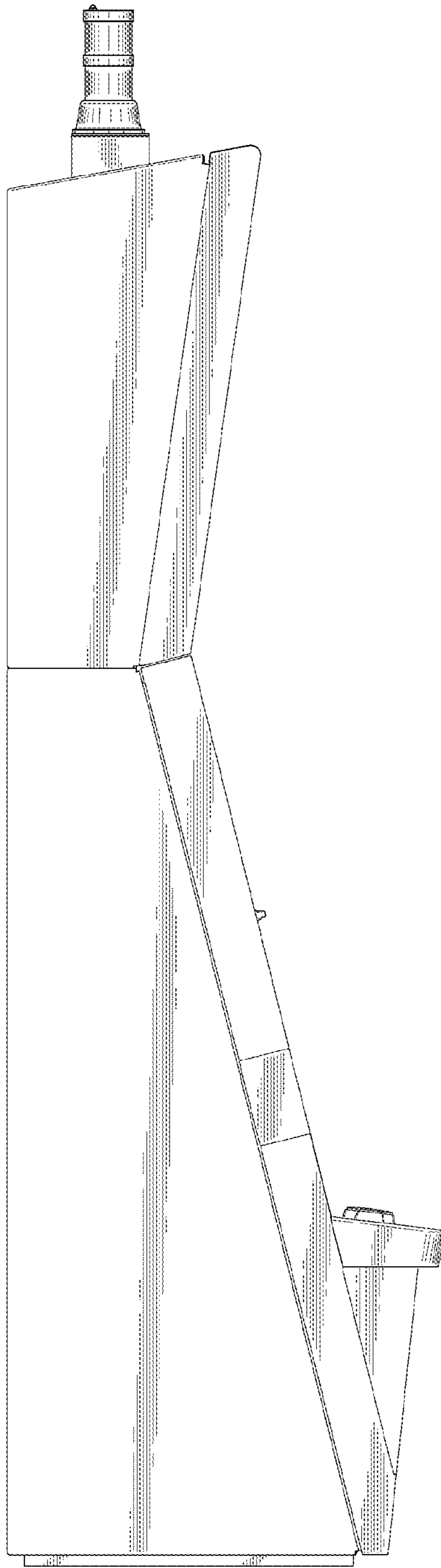


FIG. 6

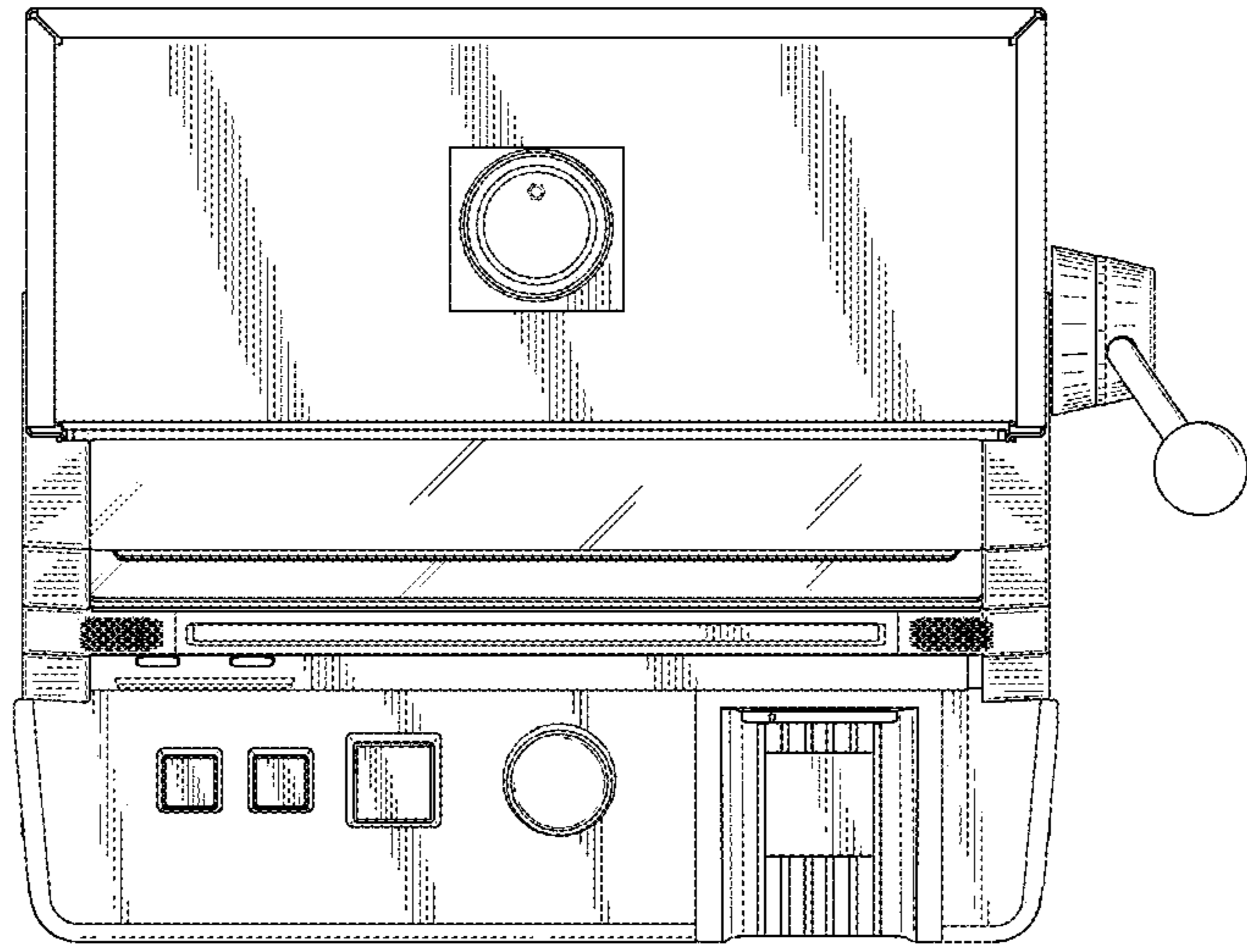


FIG. 7

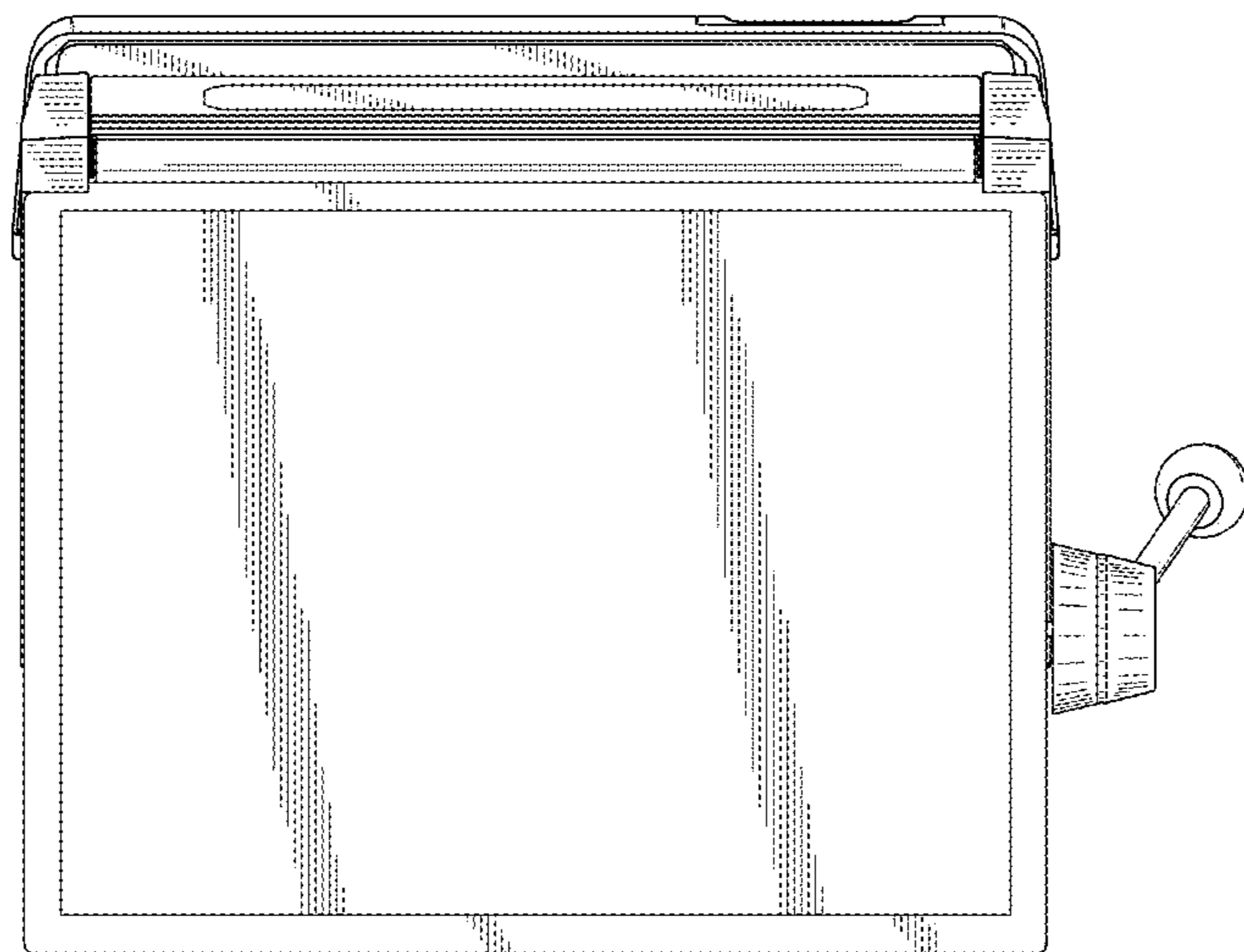


FIG. 8