



US00D986975S

(12) **United States Design Patent**  
**Tang**

(10) **Patent No.:** **US D986,975 S**

(45) **Date of Patent:** **\*\* \*May 23, 2023**

(54) **GAMEPAD**

(71) Applicant: **Wenbin Tang**, Chongqing (CN)

(72) Inventor: **Wenbin Tang**, Chongqing (CN)

(\*) Notice: This patent is subject to a terminal disclaimer.

(\*\*) Term: **15 Years**

(21) Appl. No.: **29/761,569**

(22) Filed: **Dec. 10, 2020**

(51) **LOC (14) Cl.** ..... **21-01**

(52) **U.S. Cl.**  
USPC ..... **D21/333**

(58) **Field of Classification Search**  
USPC ..... D21/324, 333, 385, 386; D14/218, 356,  
D14/387, 388, 389, 390, 399-406,  
D14/412-416, 426, 429, 443, 448, 449,  
D14/450, 454, 471, 496, 511; D12/174,  
D12/177; D13/164-168

CPC ..... A63F 13/00; A63F 13/10; A63F 13/02;  
A63F 13/04; A63F 13/06; A63F 13/22;  
A63F 13/24; A63F 13/40; A63F 13/98  
See application file for complete search history.

(56) **References Cited**

**U.S. PATENT DOCUMENTS**

|            |        |               |
|------------|--------|---------------|
| D471,552 S | 3/2003 | Loughnane     |
| D544,481 S | 6/2007 | Maddox et al. |
| D571,368 S | 6/2008 | Salter        |
| D614,705 S | 4/2010 | Biheller      |
| D697,140 S | 1/2014 | Baum          |

|              |         |            |         |
|--------------|---------|------------|---------|
| D715,362 S   | 10/2014 | He         |         |
| D718,818 S * | 12/2014 | Sumii      | D21/333 |
| D727,430 S * | 4/2015  | Sumii      | D21/333 |
| D808,968 S   | 1/2018  | Tang       |         |
| D823,945 S * | 7/2018  | Falc       | D21/333 |
| D859,530 S   | 9/2019  | Li         |         |
| D872,184 S * | 1/2020  | Chatterjee | D21/333 |
| D881,281 S * | 4/2020  | Tong       | D21/333 |
| D890,263 S * | 7/2020  | Tong       | D21/333 |
| D893,629 S   | 8/2020  | Wu         |         |
| D894,281 S * | 8/2020  | Wang       | D21/333 |
| D898,124 S * | 10/2020 | Tong       | D21/333 |
| D905,168 S * | 12/2020 | Chatterjee | D21/333 |
| D909,483 S * | 2/2021  | Whitaker   | D21/333 |

\* cited by examiner

*Primary Examiner* — Mehri F Bajoul

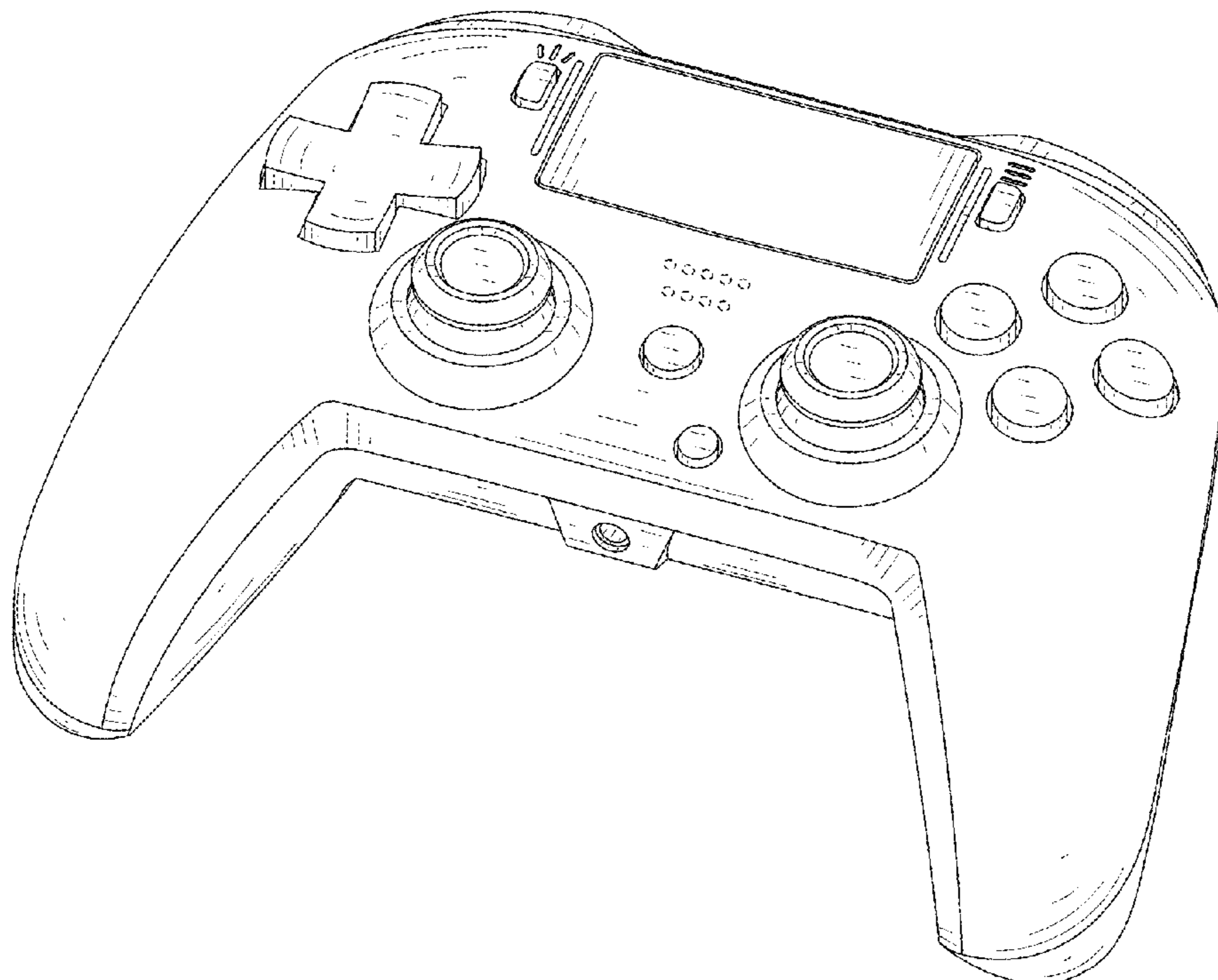
(57) **CLAIM**

The ornamental design for a gamepad, as shown and described.

**DESCRIPTION**

FIG. 1 is a front, right side, bottom perspective view of a gamepad showing my new design;  
FIG. 2 is a rear, left side, bottom perspective view thereof;  
FIG. 3 is a front elevational view thereof;  
FIG. 4 is a rear elevational view thereof;  
FIG. 5 is a left side elevational view thereof;  
FIG. 6 is a right side elevational view thereof;  
FIG. 7 is a top plan view thereof; and,  
FIG. 8 is a bottom plan view thereof.  
The broken lines depict portions of the gamepad that form no part of the claimed design.

**1 Claim, 8 Drawing Sheets**



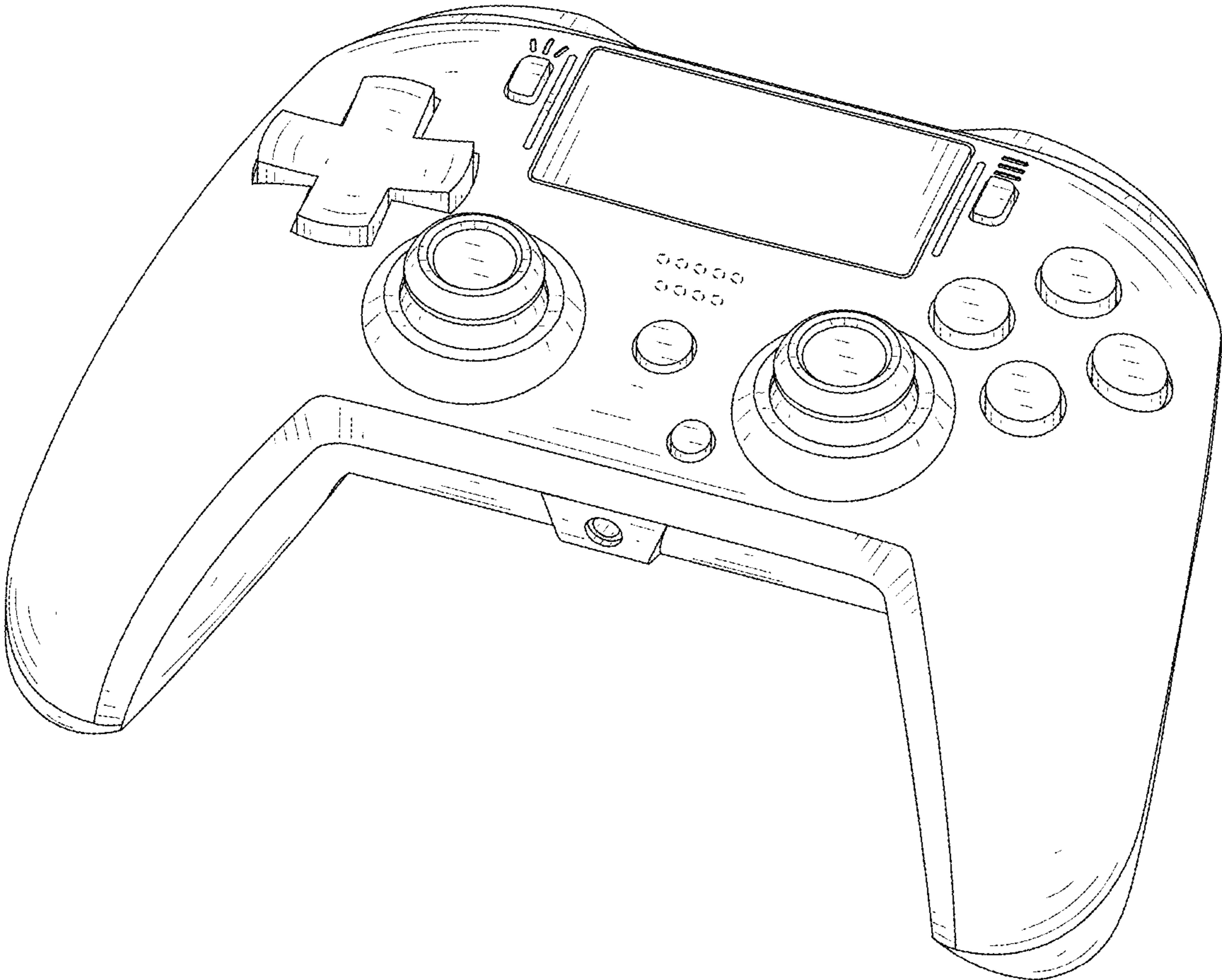


FIG. 1

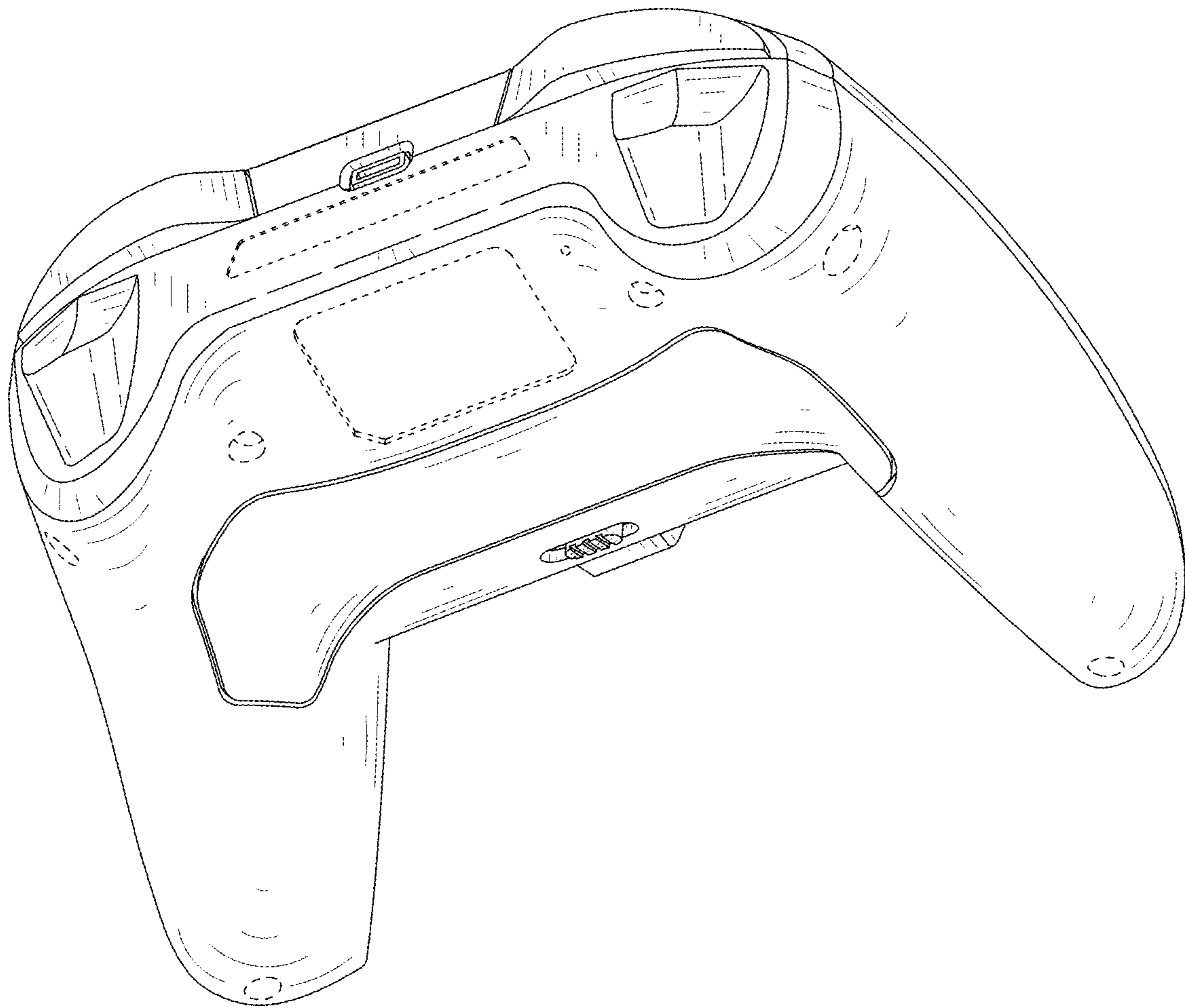


FIG. 2

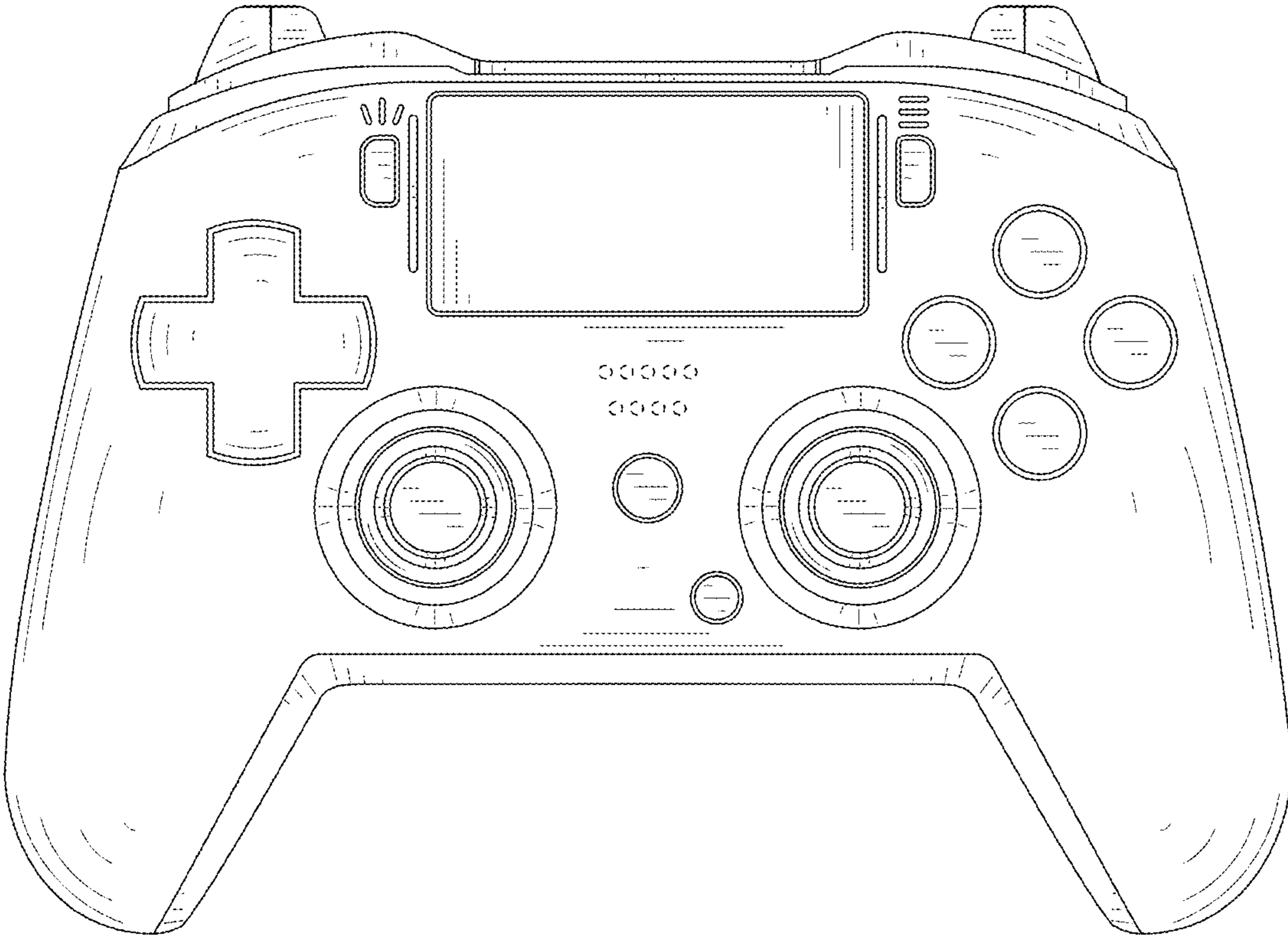


FIG. 3

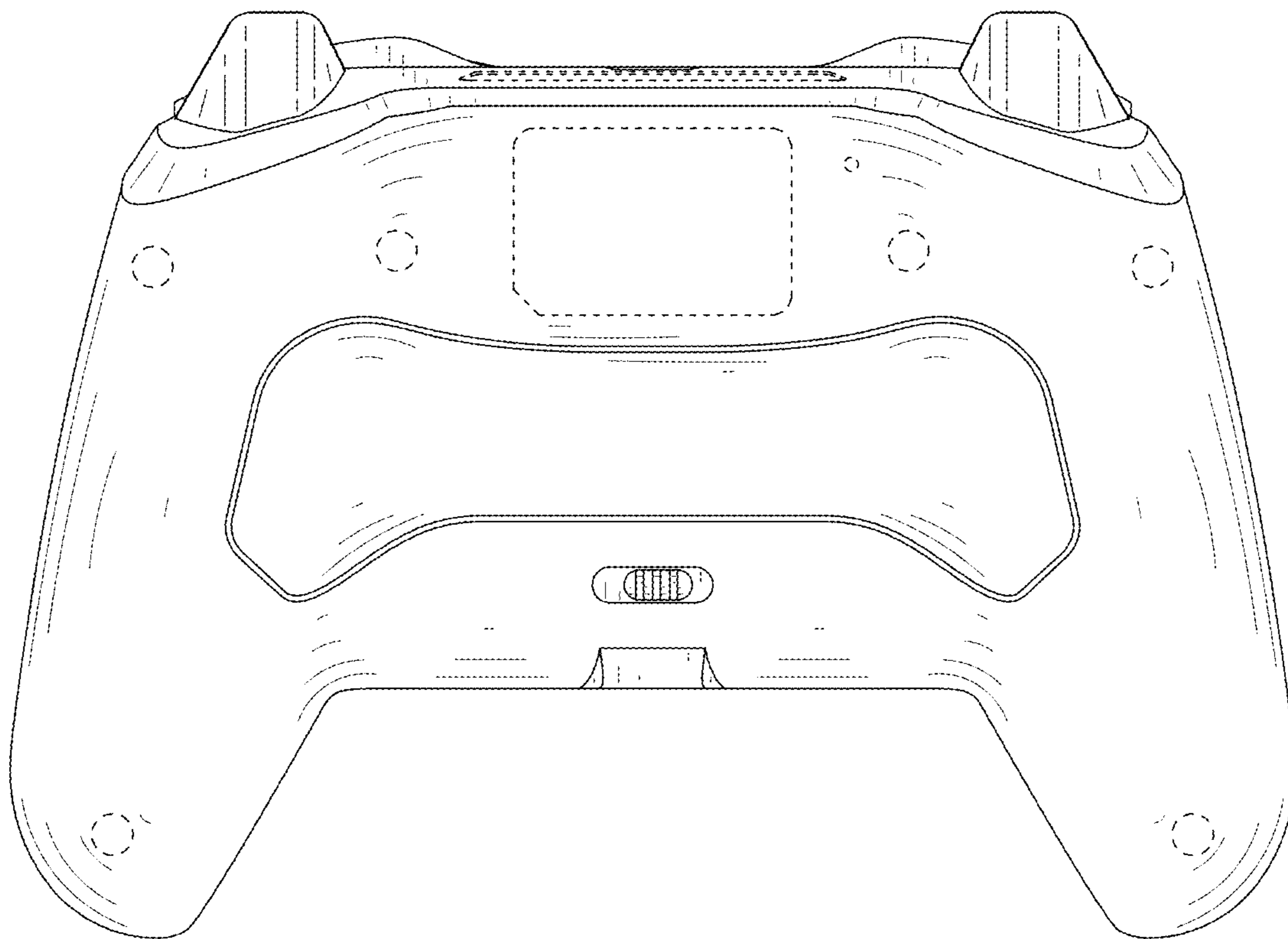


FIG. 4

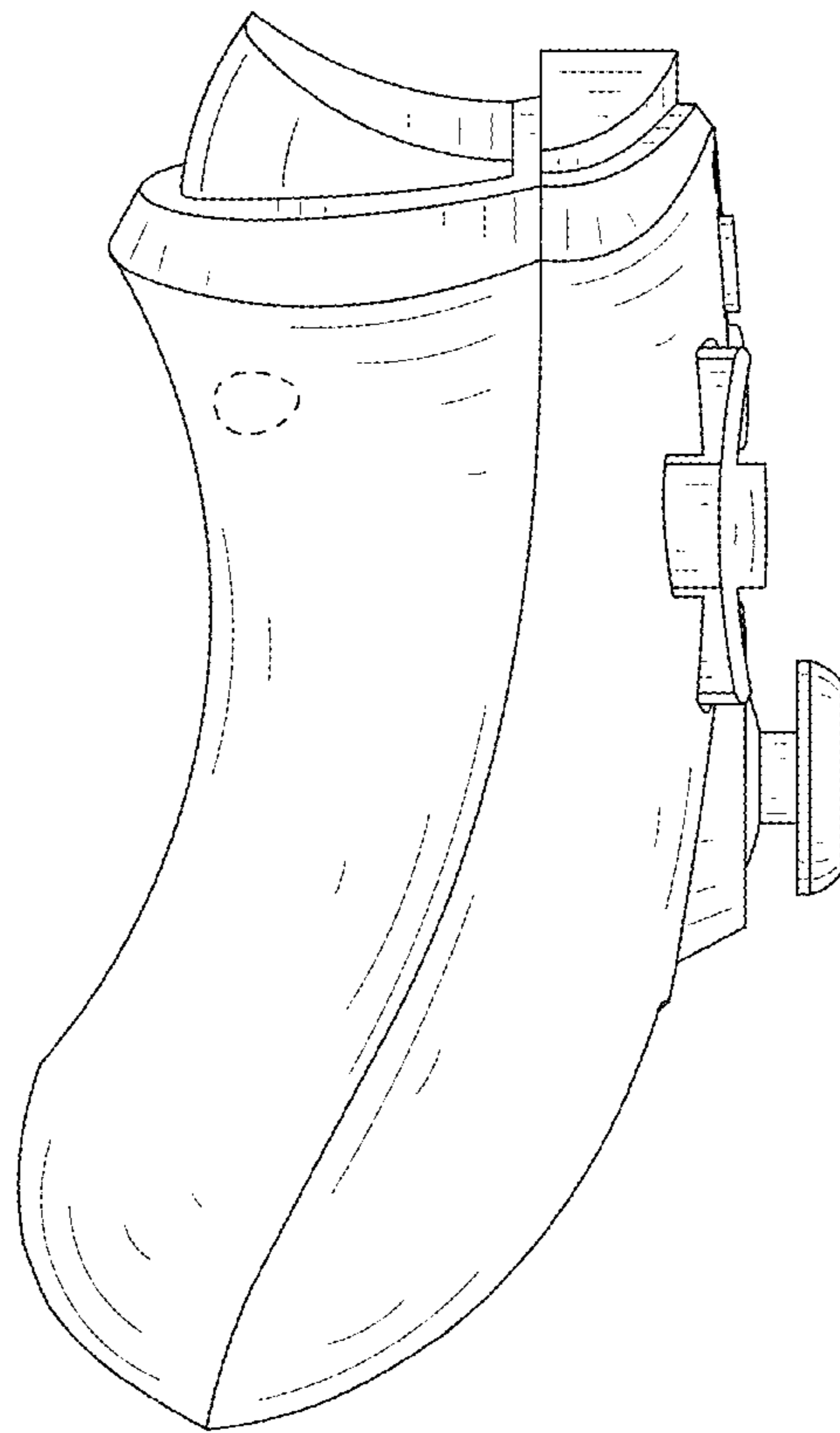


FIG. 5

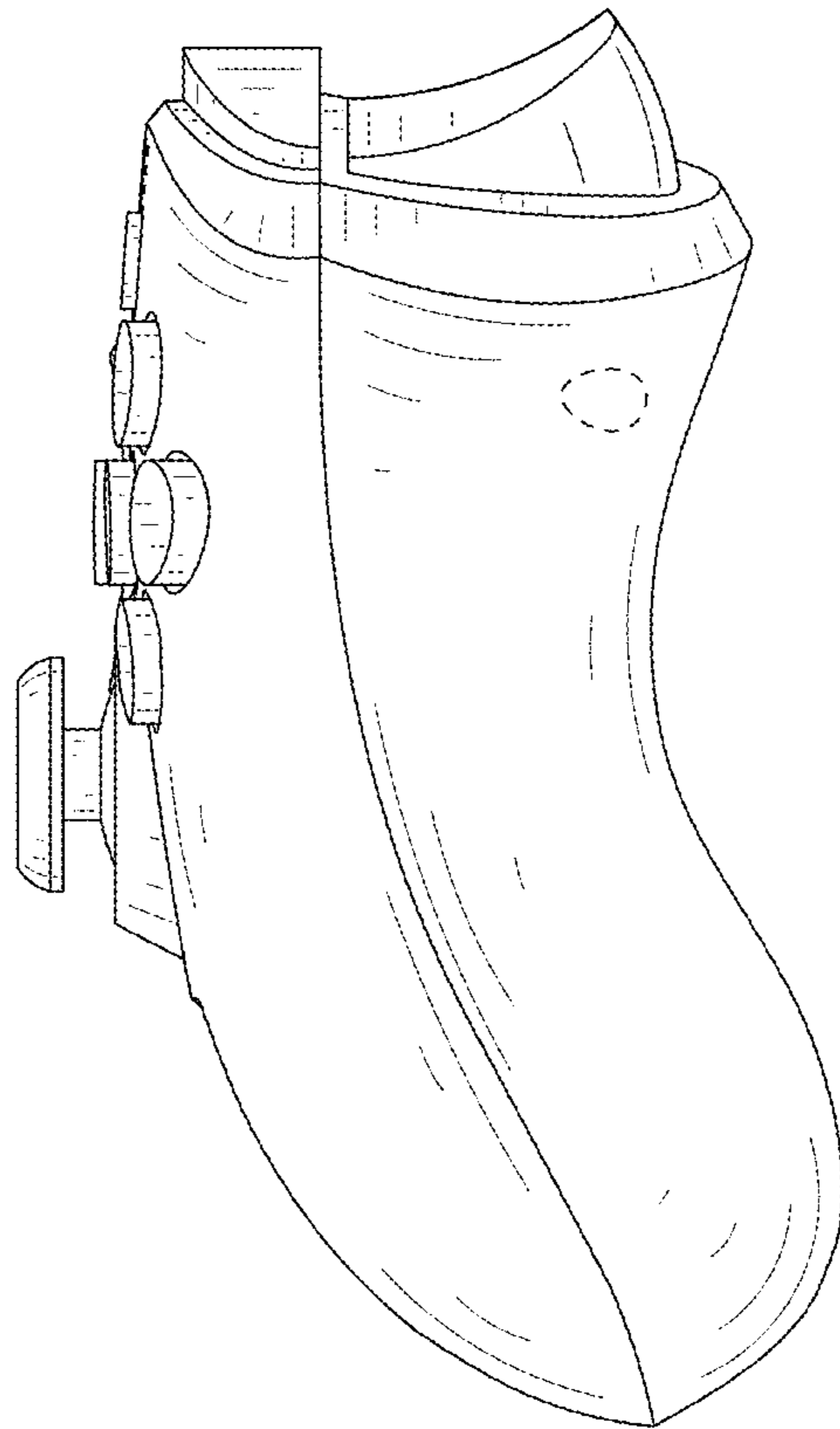


FIG. 6

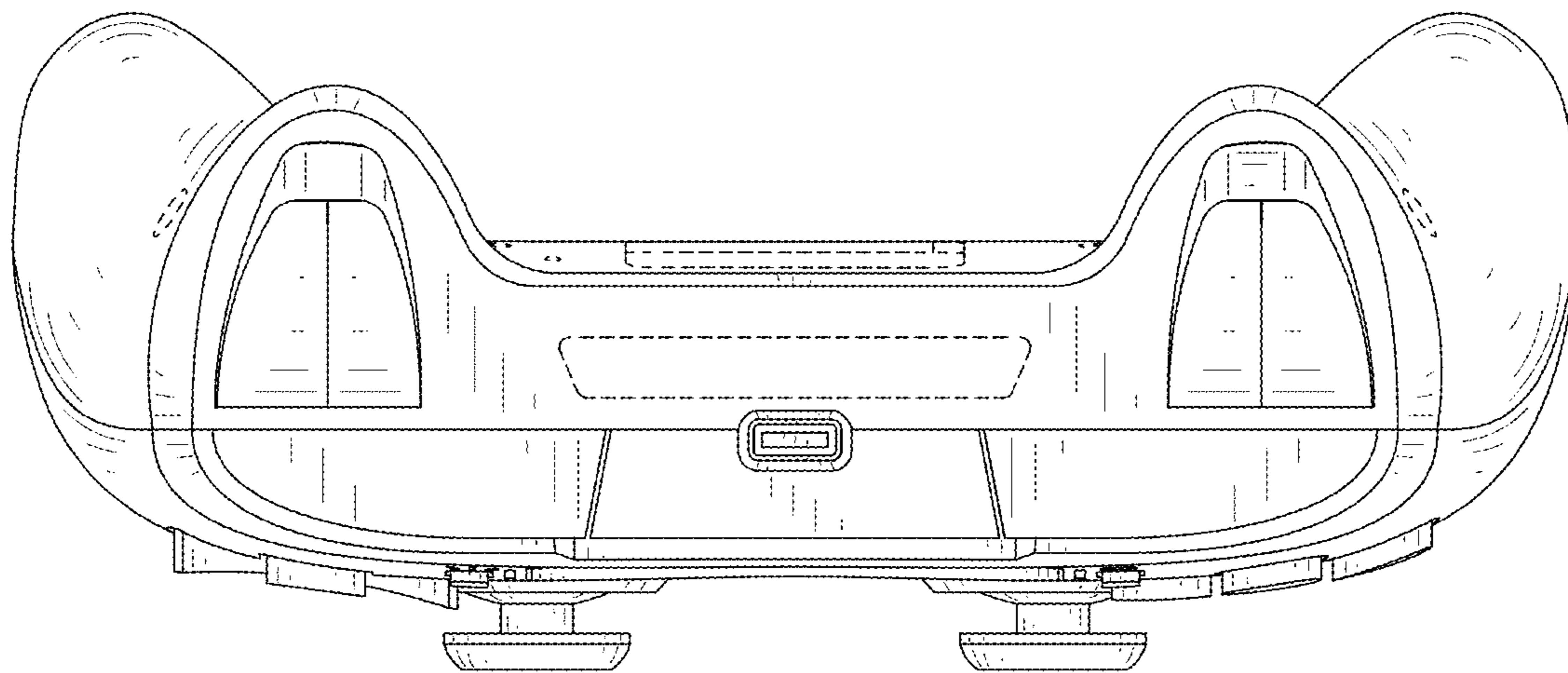


FIG. 7



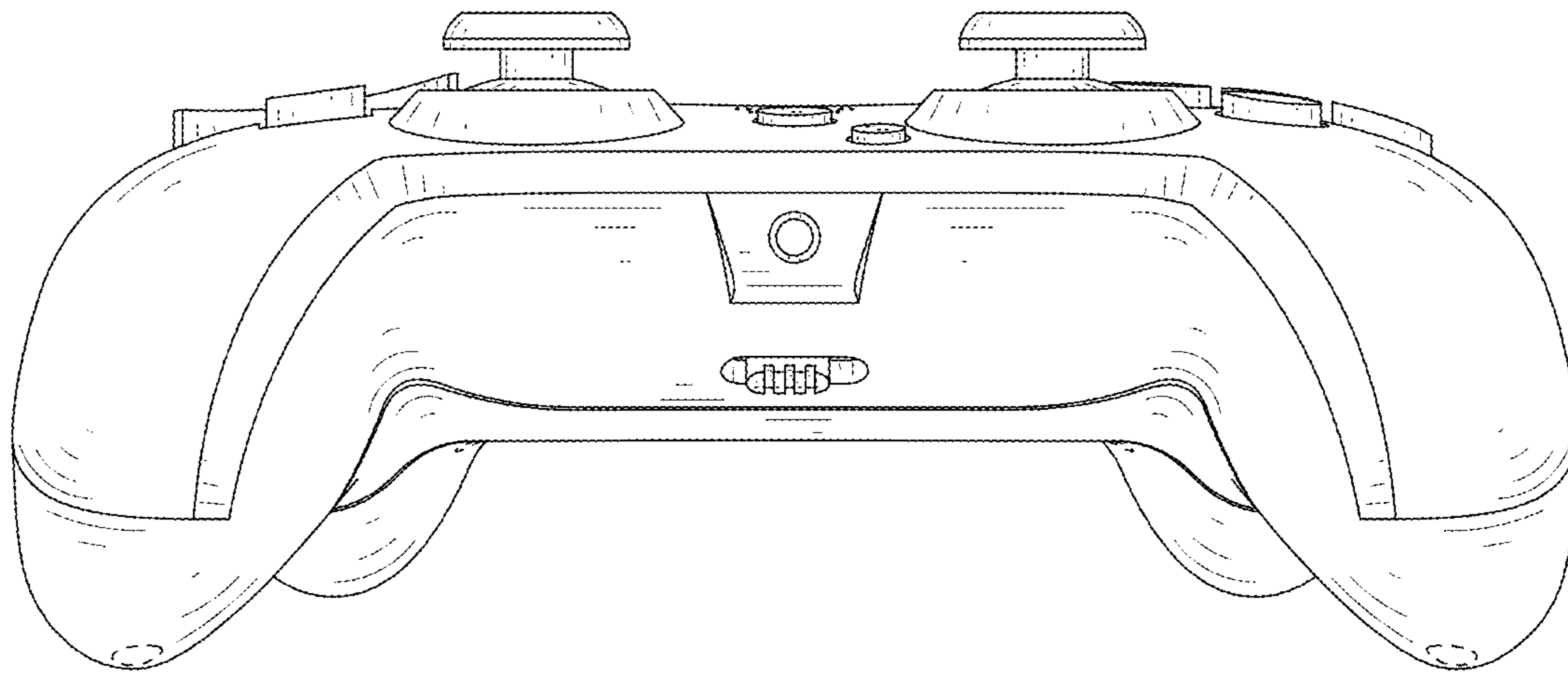


FIG. 8