



US00D986973S

(12) **United States Design Patent**  
**Chen**

(10) **Patent No.:** **US D986,973 S**

(45) **Date of Patent:** **\*\* May 23, 2023**

(54) **FOLDABLE STEERING WHEEL STAND**

D970,628 S \* 11/2022 Yan ..... D21/333  
D973,134 S \* 12/2022 Yan ..... D21/326  
D974,475 S \* 1/2023 Yan ..... D21/333

(71) Applicant: **Chusong Chen**, Guangdong Province  
(CN)

(Continued)

(72) Inventor: **Chusong Chen**, Guangdong Province  
(CN)

FOREIGN PATENT DOCUMENTS

WO WO-2022187895 A1 \* 9/2022

(\*\*) Term: **15 Years**

OTHER PUBLICATIONS

(21) Appl. No.: **29/871,519**

Guangzhou Diwang Electronic Commerce Co., Ltd. Reg. No. 6,483,610, Registered Sep. 14, 2021 Ser. No. 90-352,895, filed Dec. 2, 2020.

(22) Filed: **Feb. 22, 2023**

(Continued)

(51) **LOC (14) Cl.** ..... **21-01**

(52) **U.S. Cl.**  
USPC ..... **D21/326**

*Primary Examiner* — Mehri F Bajoul

(58) **Field of Classification Search**  
USPC ..... D21/326, 329, 327, 333–336, 477;  
D6/334–336, 338, 356, 364, 365, 366,  
D6/367, 374, 716, 716.1, 716.4  
CPC .. A47C 1/121; A47C 7/40; A47C 7/46; A47C  
7/462; A47C 7/50; A47C 7/723; A63F  
9/00; A63F 9/24; A63F 1/00; A63F 3/00;  
G07F 17/3216; G09B 9/02  
See application file for complete search history.

(57) **CLAIM**

The ornamental design for a foldable steering wheel stand, as shown and described.

**DESCRIPTION**

FIG. 1 is a front and top perspective view of a foldable steering wheel stand, showing my new design;  
FIG. 2 is a rear and bottom perspective view thereof;  
FIG. 3 is a front elevation view thereof;  
FIG. 4 is a rear elevation view thereof;  
FIG. 5 is a left side elevation view thereof;  
FIG. 6 is a right side elevation view thereof;  
FIG. 7 is a top plan view thereof;  
FIG. 8 is a bottom plan view thereof;  
FIG. 9 is another perspective view thereof, shown in an alternative position; and,  
FIG. 10 is an enlarged perspective view of detail “10” identified in FIG. 2.

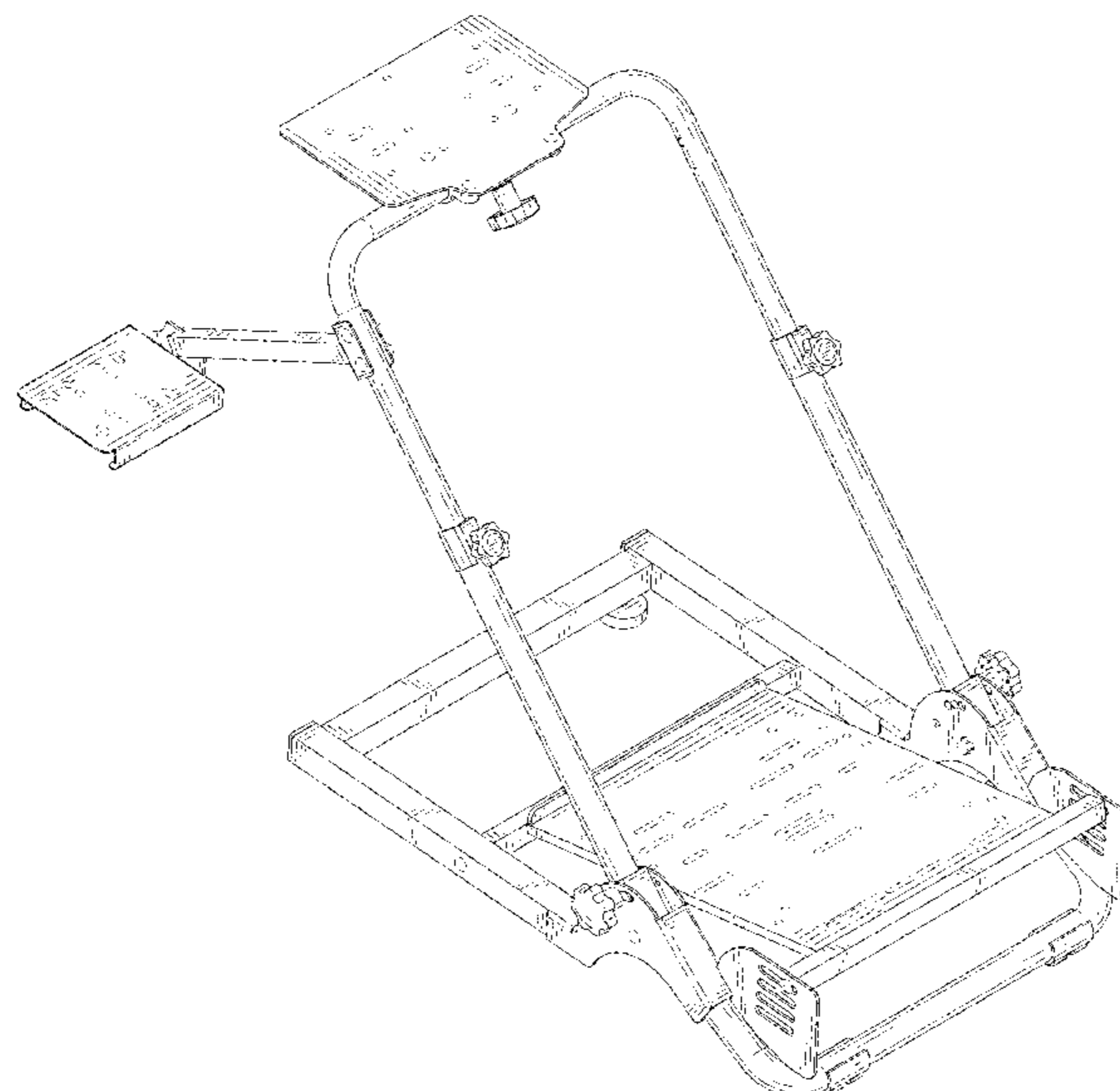
The dashed lines in the figures illustrate portions of the foldable steering wheel stand that form no part of the claimed design. The dash dot dash lines in FIGS. 2 and 10 are for the purpose of illustrating the enlarged view indicators and form no part of the claimed design.

(56) **References Cited**

U.S. PATENT DOCUMENTS

D465,343 S \* 11/2002 Daneault ..... D6/338  
D544,923 S \* 6/2007 Brase ..... D21/333  
D598,207 S \* 8/2009 Smit ..... D6/335  
D656,553 S \* 3/2012 Blaskov ..... D21/333  
D679,914 S \* 4/2013 Smit ..... D6/338  
D691,822 S \* 10/2013 Smit ..... D6/368  
D701,917 S \* 4/2014 Ghahramanian ..... D21/333  
D852,562 S \* 7/2019 Jui ..... D6/716  
D856,020 S \* 8/2019 Ghahramanian ..... D6/367  
D912,733 S \* 3/2021 Ghahramanian ..... D21/333  
D930,748 S \* 9/2021 Ghahramanian ..... D21/326  
D931,373 S \* 9/2021 Ghahramanian ..... D21/326  
D936,744 S 11/2021 Singanallur Murali

**1 Claim, 10 Drawing Sheets**



(56)

**References Cited**

U.S. PATENT DOCUMENTS

D977,011 S \* 1/2023 Xu ..... D21/326  
D978,967 S \* 2/2023 Ghahramanian ..... D21/333

OTHER PUBLICATIONS

Senyu Technology Development (Guangzhou) Co., Ltd. U.S. Appl.  
No. 97/329,730, filed Mar. 24, 2022.

\* cited by examiner

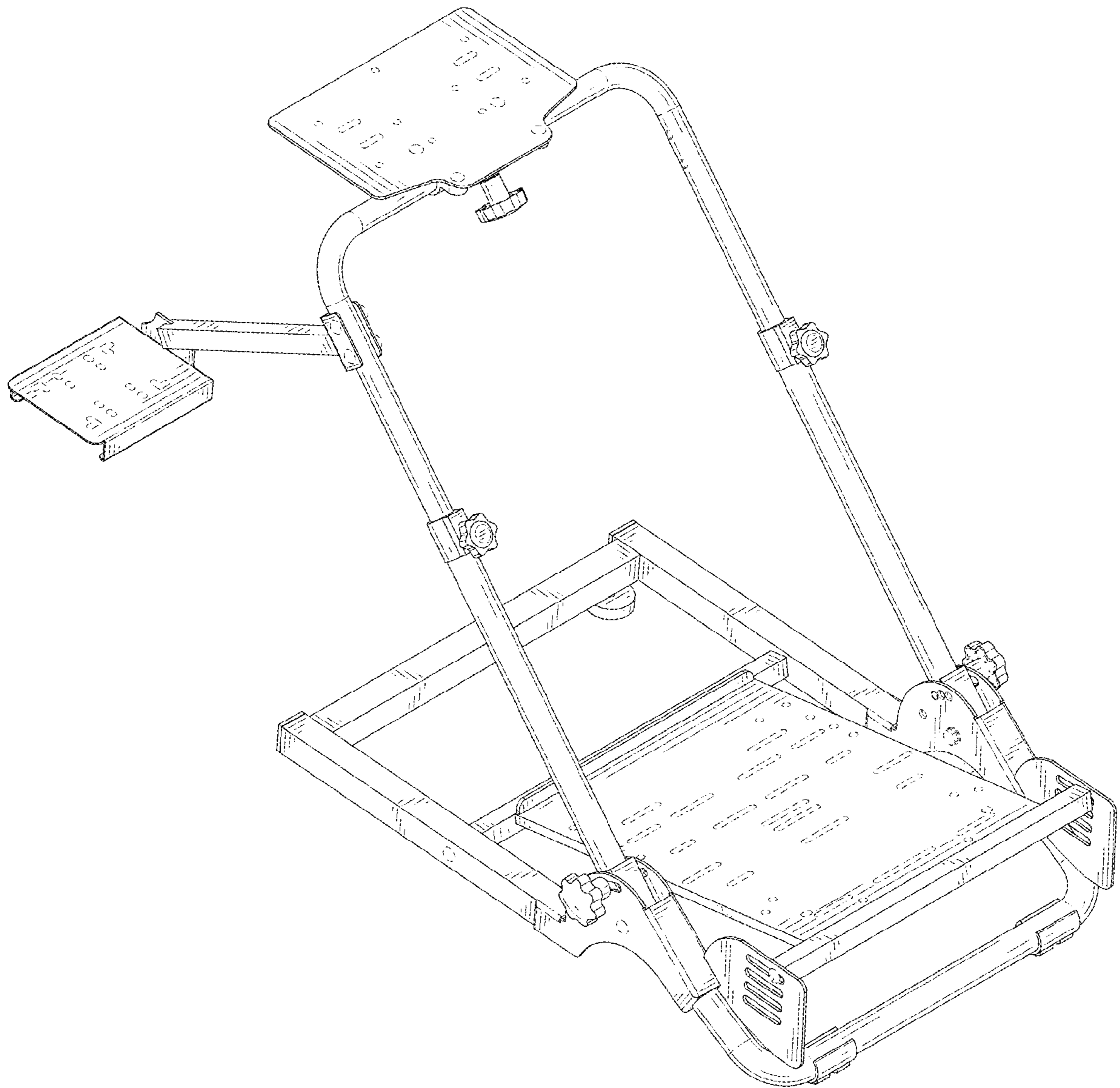


FIG. 1

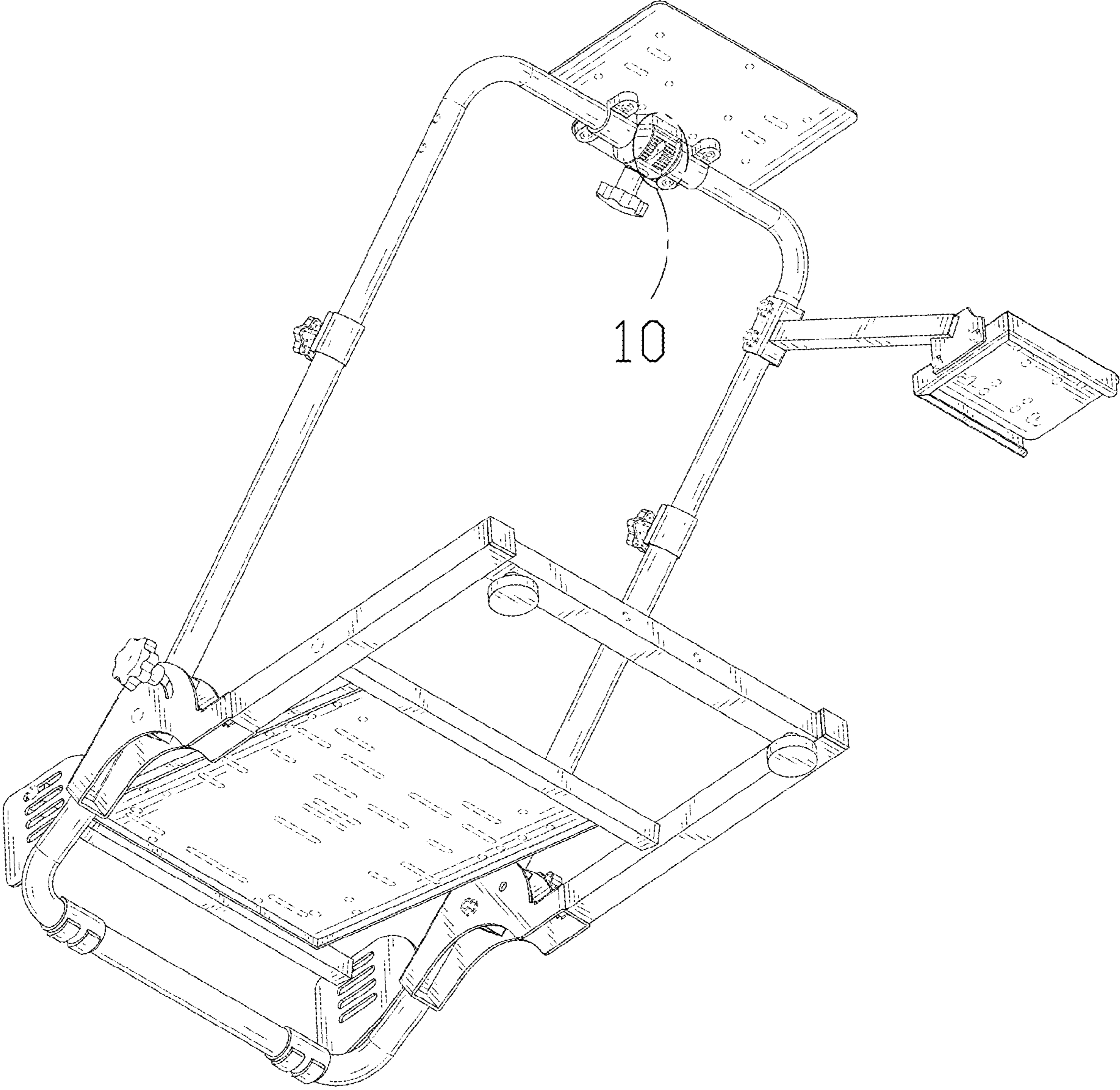


FIG. 2

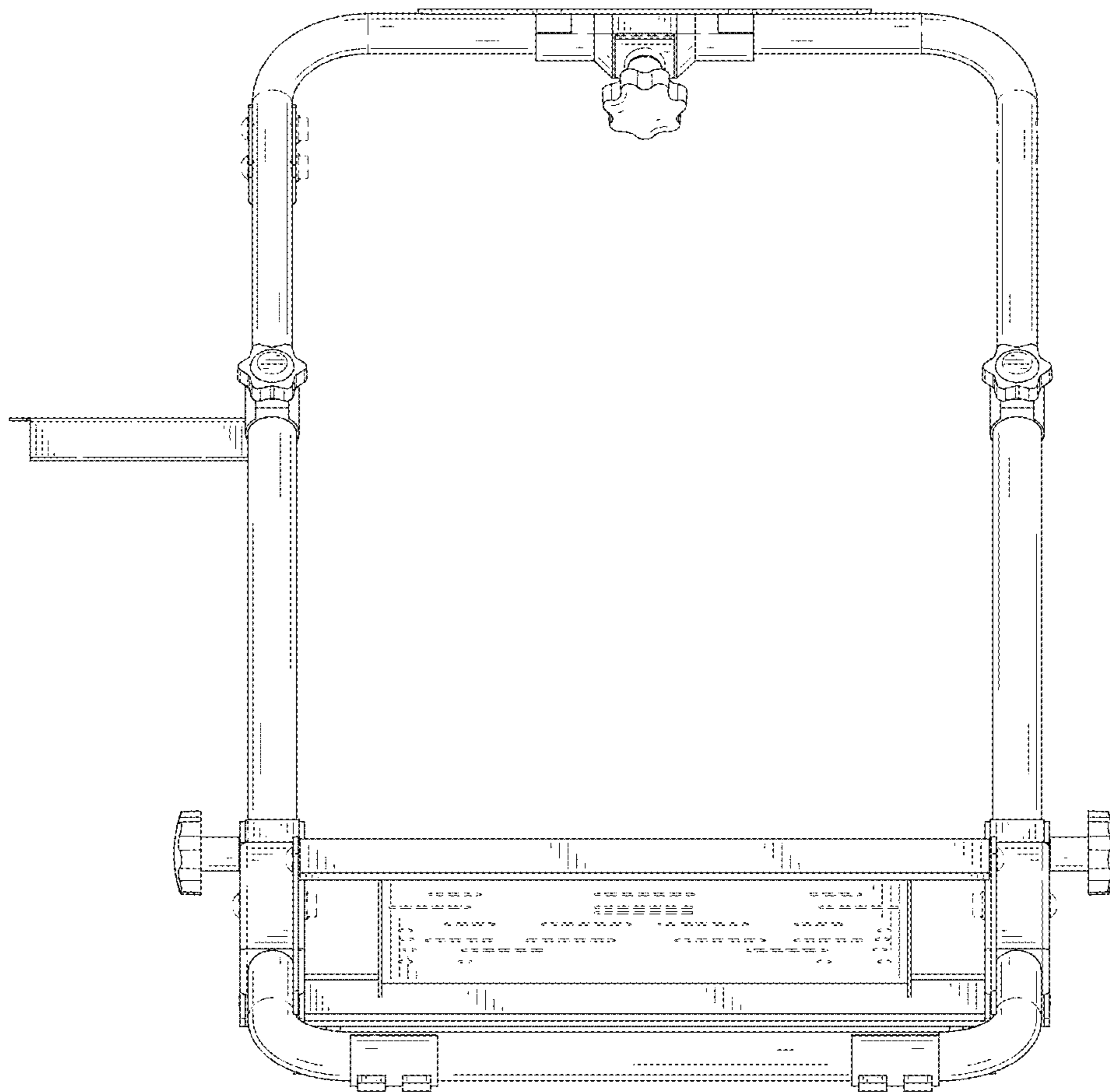


FIG. 3

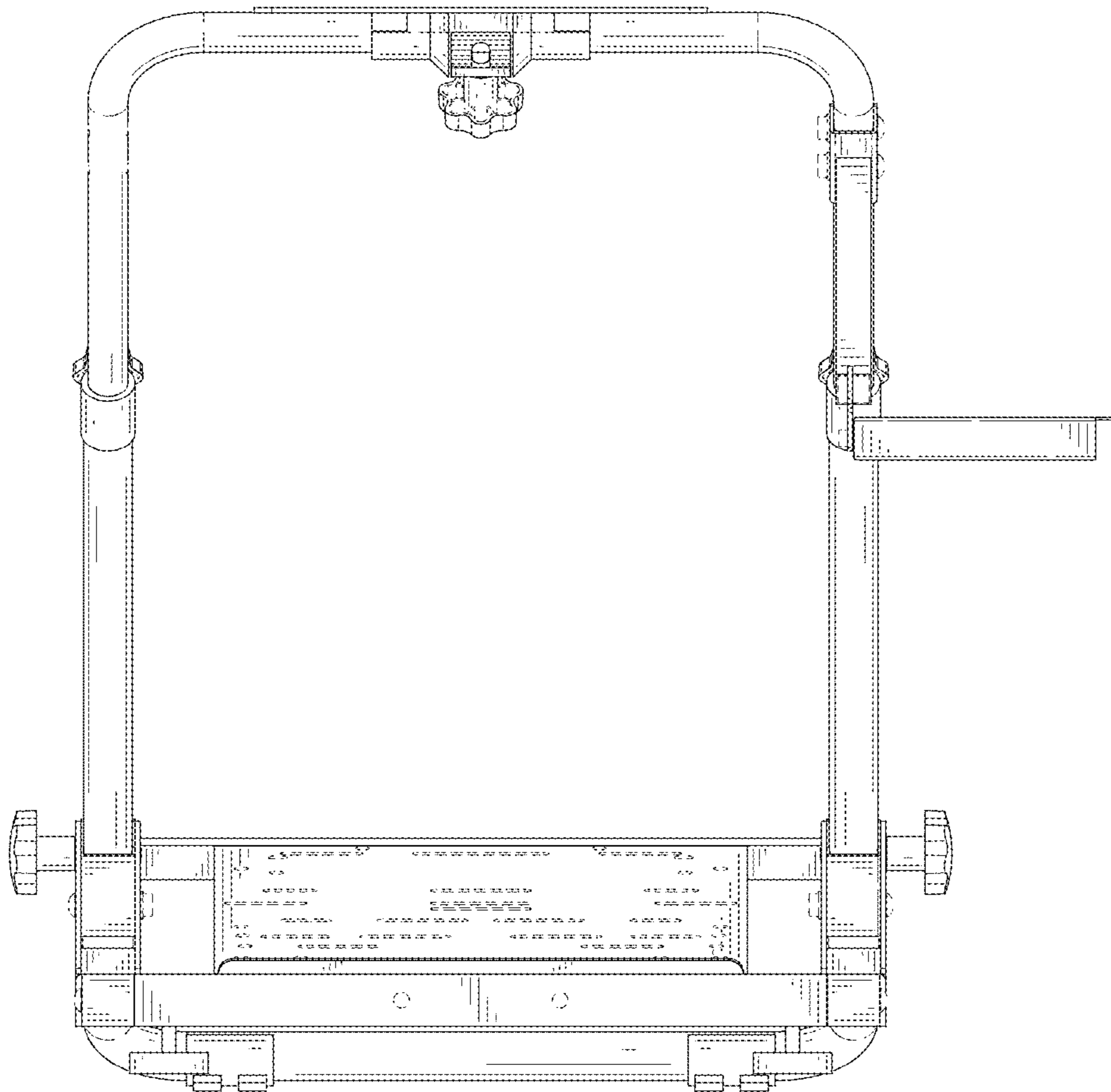


FIG. 4

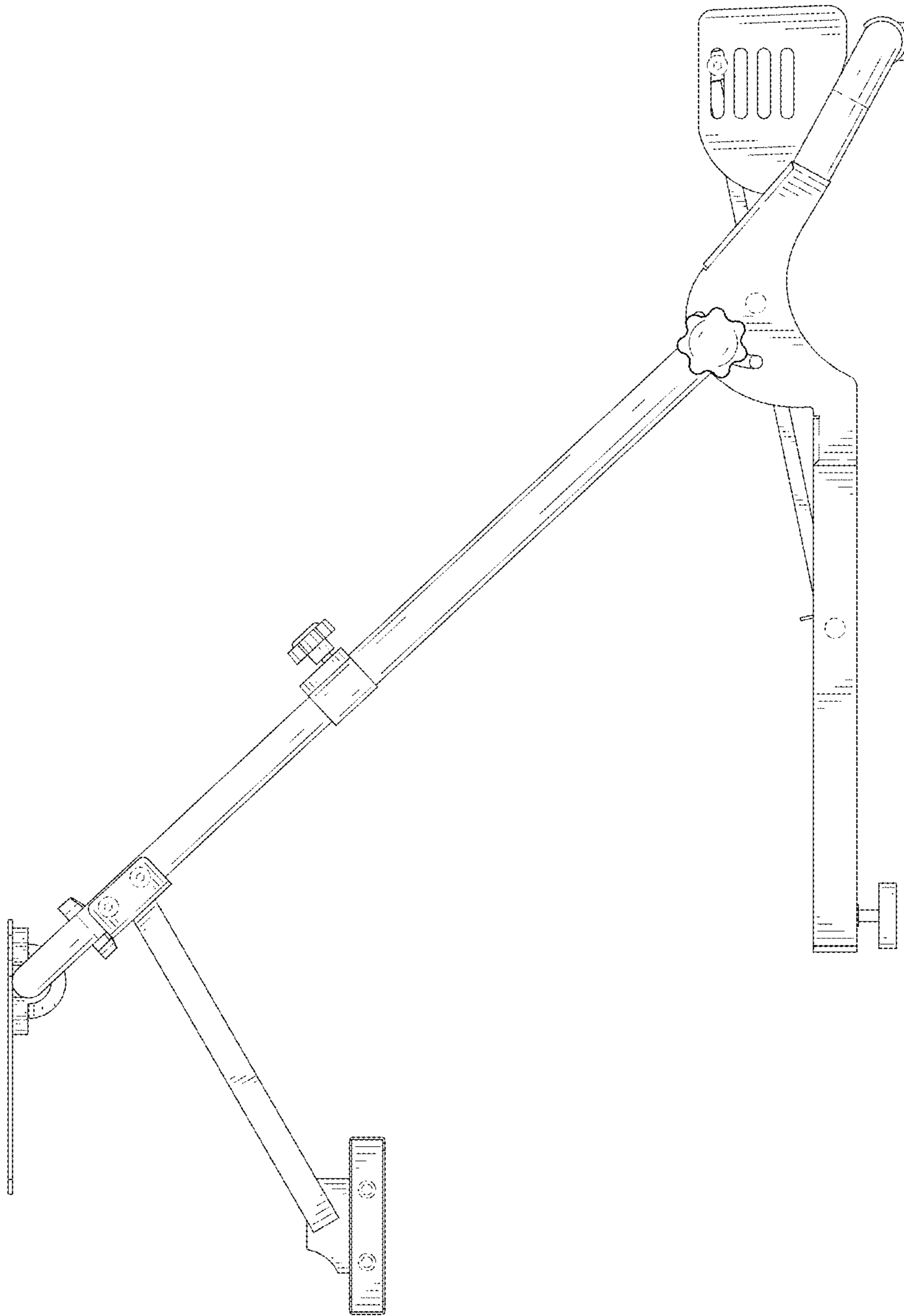


FIG. 5

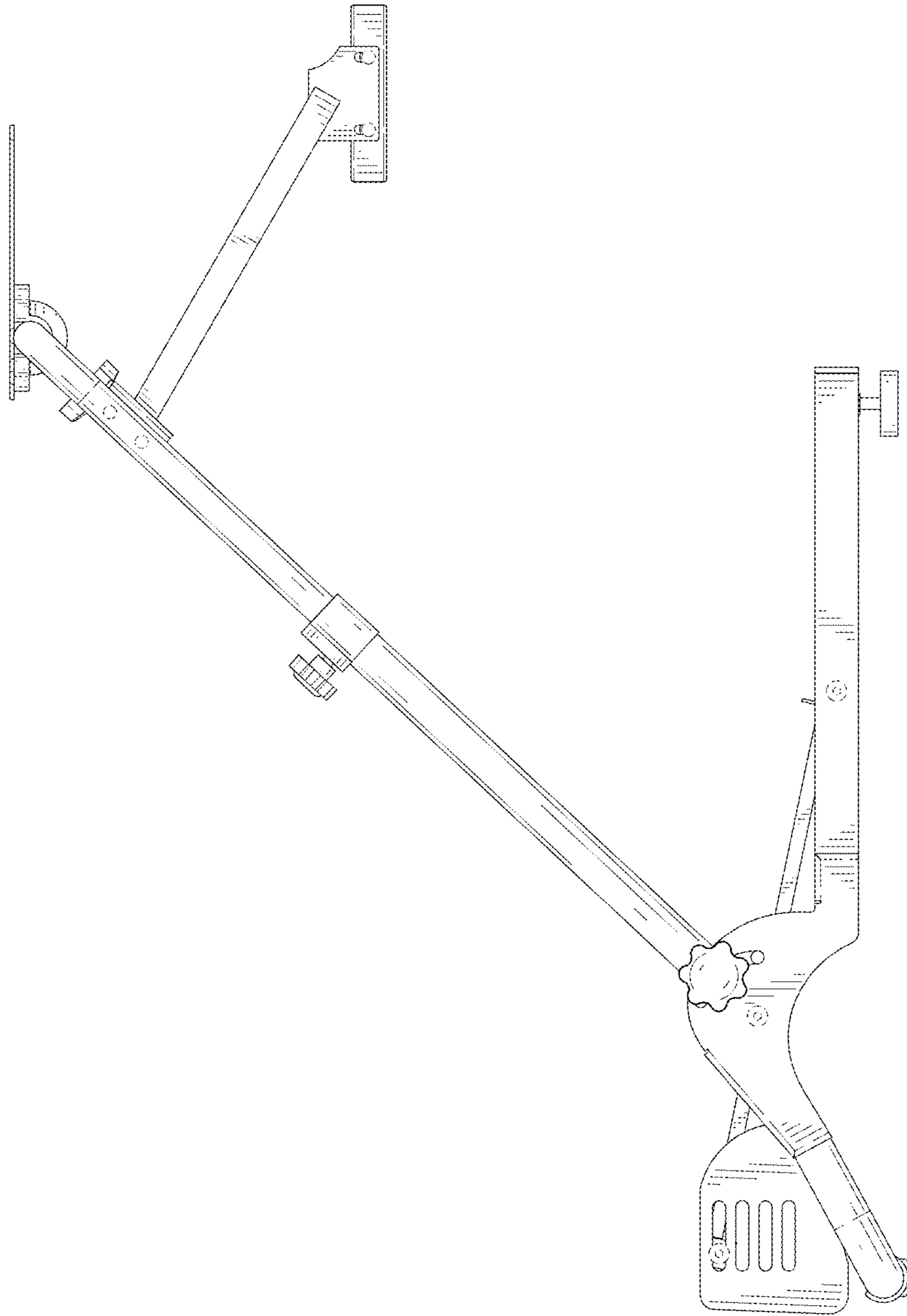


FIG. 6



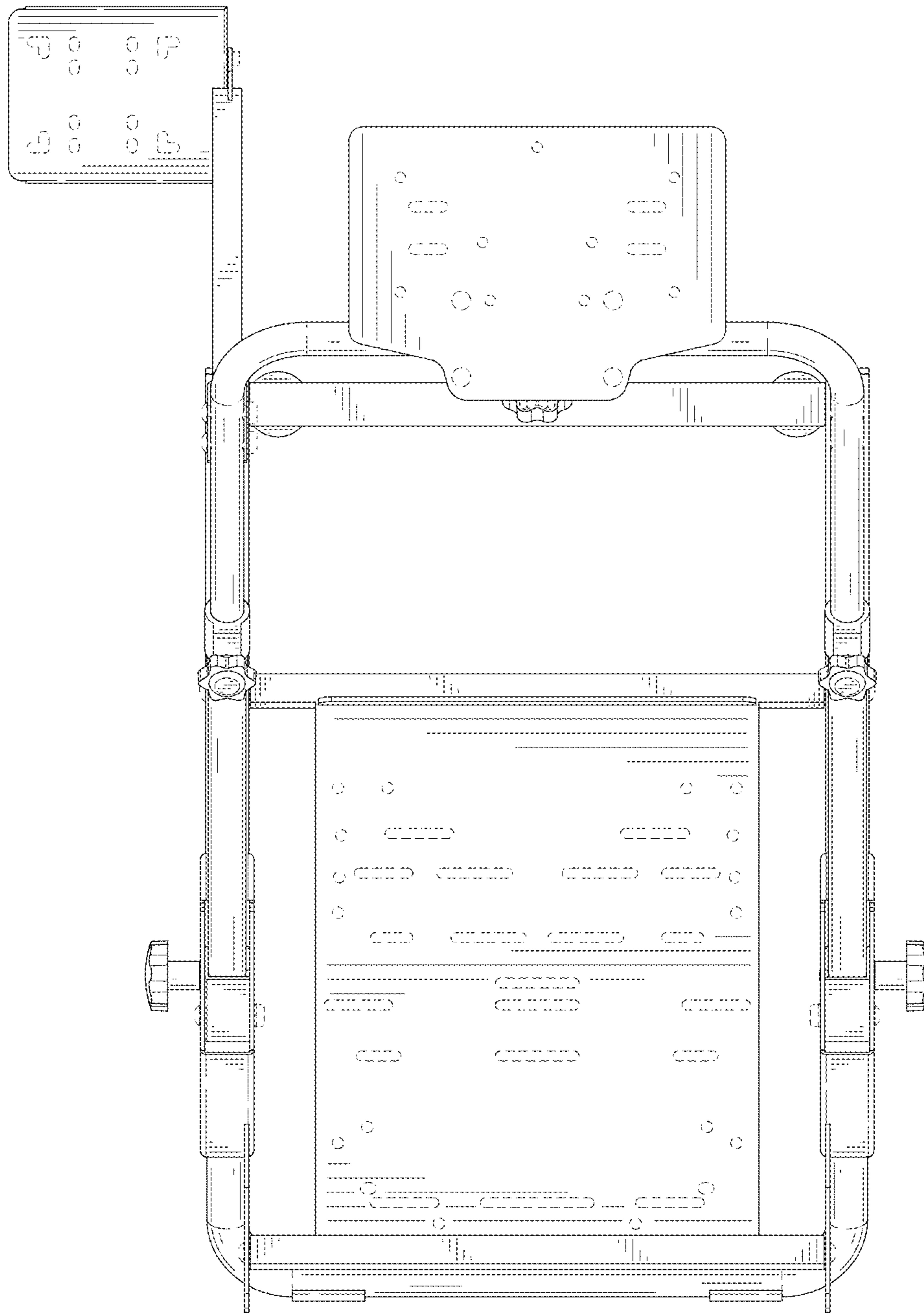


FIG. 7

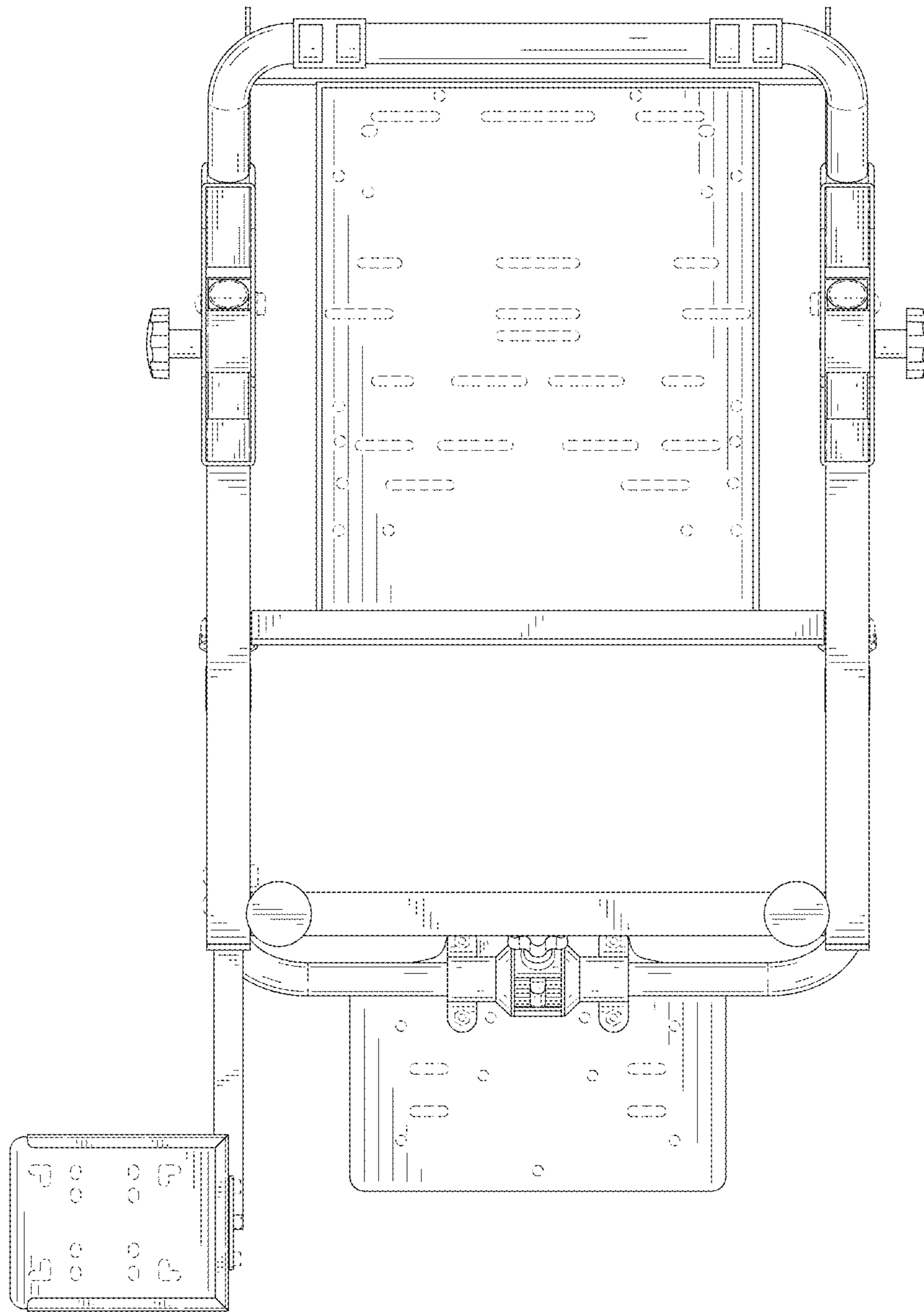


FIG. 8

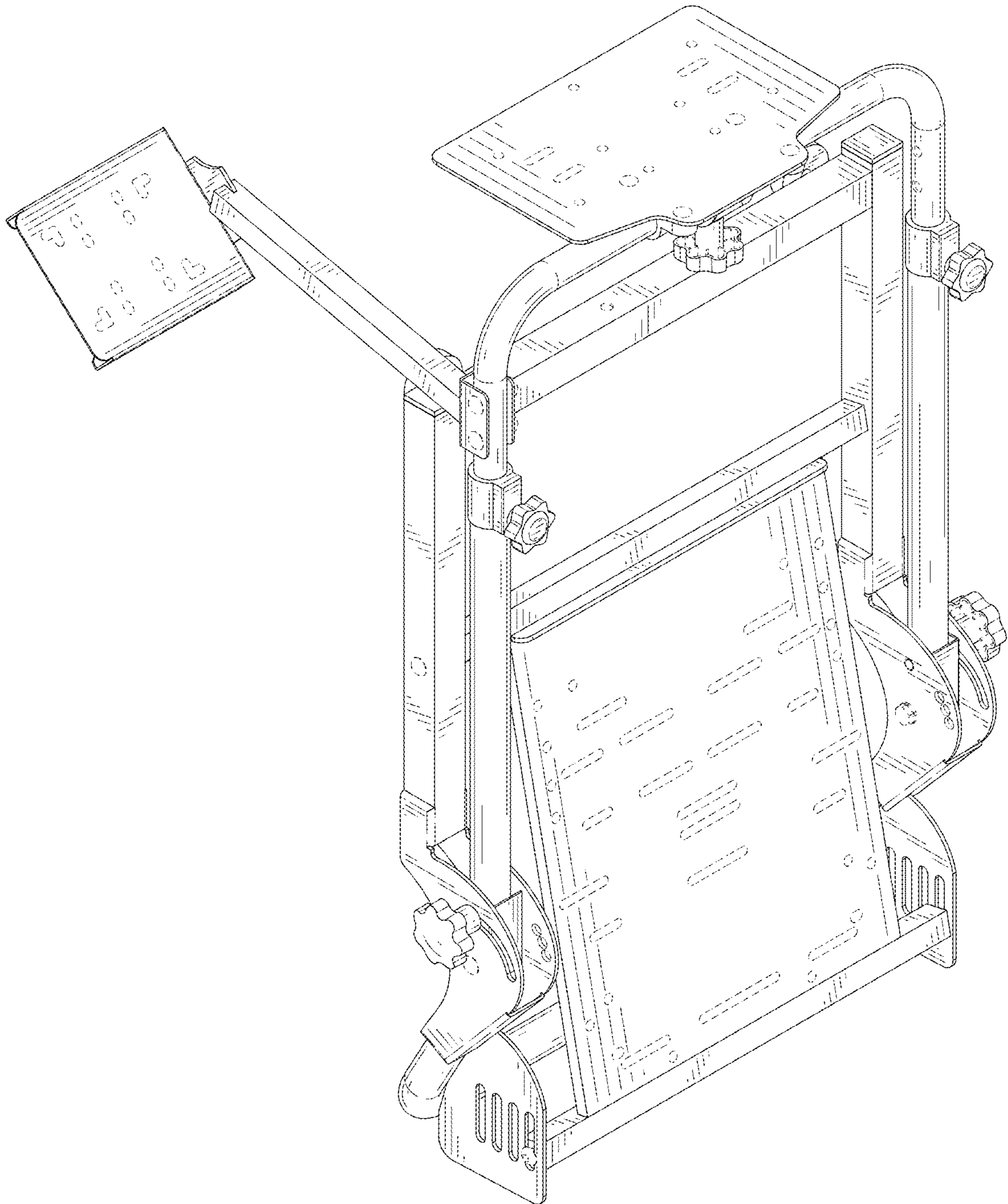


FIG. 9

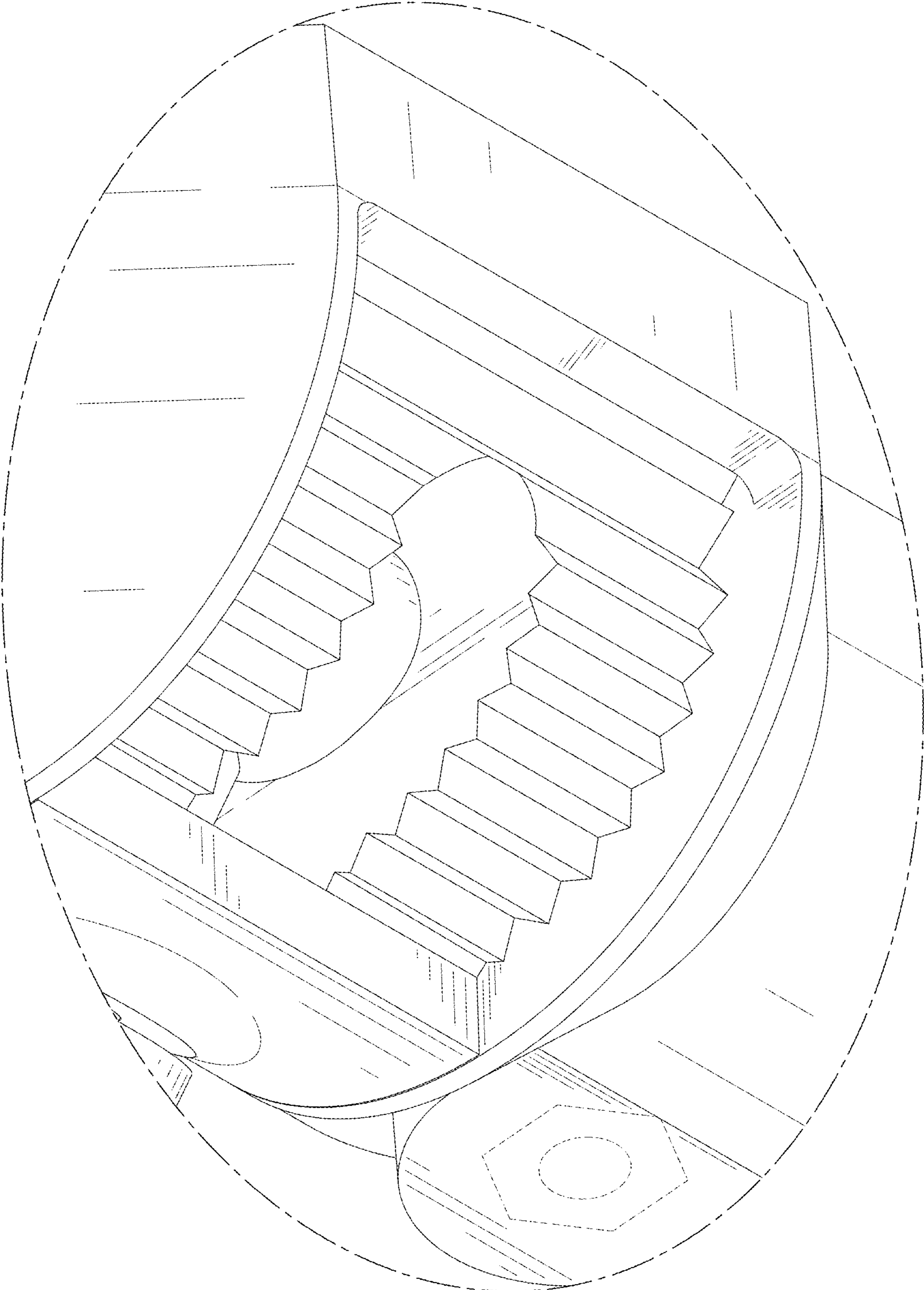


FIG. 10