



US00D986971S

(12) **United States Design Patent** (10) **Patent No.:** **US D986,971 S**
Tan (45) **Date of Patent:** **** May 23, 2023**

(54) **TOY**
(71) Applicant: **ZhiKang Tan**, Guangdong (CN)
(72) Inventor: **ZhiKang Tan**, Guangdong (CN)
(**) Term: **15 Years**
(21) Appl. No.: **29/858,873**
(22) Filed: **Nov. 4, 2022**
(51) **LOC (14) Cl.** **21-01**
(52) **U.S. Cl.**
USPC **D21/309**
(58) **Field of Classification Search**
USPC D21/302–304, 306, 309, 322, 335, 344,
D21/401, 466, 699, 716, 719, 788;
D9/436, 455, 601, 715; 473/422, 423,
473/429, 430, 507, 508, 514; 273/320,
273/332, 338
CPC A63B 69/0079; A63B 2071/026; A63B
63/00; A63B 65/00; A63B 67/00; A63B
71/0036; A63B 67/06; A63F 1/067; A47B
25/00
See application file for complete search history.

4,564,200 A * 1/1986 Loring A63F 9/0243
273/332
D285,811 S * 9/1986 Donahoe D21/309
D288,828 S * 3/1987 Romestan D21/309
5,171,019 A * 12/1992 Arnette A63F 9/02
273/332
D403,718 S 1/1999 Fuligni
D423,057 S * 4/2000 Mooney D21/304
D467,626 S 12/2002 Ben-Arush
D783,094 S * 4/2017 Shepherd D21/302
D806,178 S 12/2017 Chow
D900,223 S * 10/2020 Meyer D21/302
D902,317 S 11/2020 McGetrick
D915,519 S 4/2021 McGetrick
D954,828 S * 6/2022 Sabo D21/309
D957,527 S * 7/2022 Disla D21/398
D958,250 S * 7/2022 Yang D21/309
(Continued)

OTHER PUBLICATIONS

Rantz, Jamison. "Tabletop Ring Toss Game." Rogue Engineer. Dec. 19, 2021. Web. Jan. 25, 2023. <<https://roguengineer.com/diy-tabletop-ring-toss-game-plans/>>.*

Primary Examiner — Katie Jane Stofko

(57) **CLAIM**

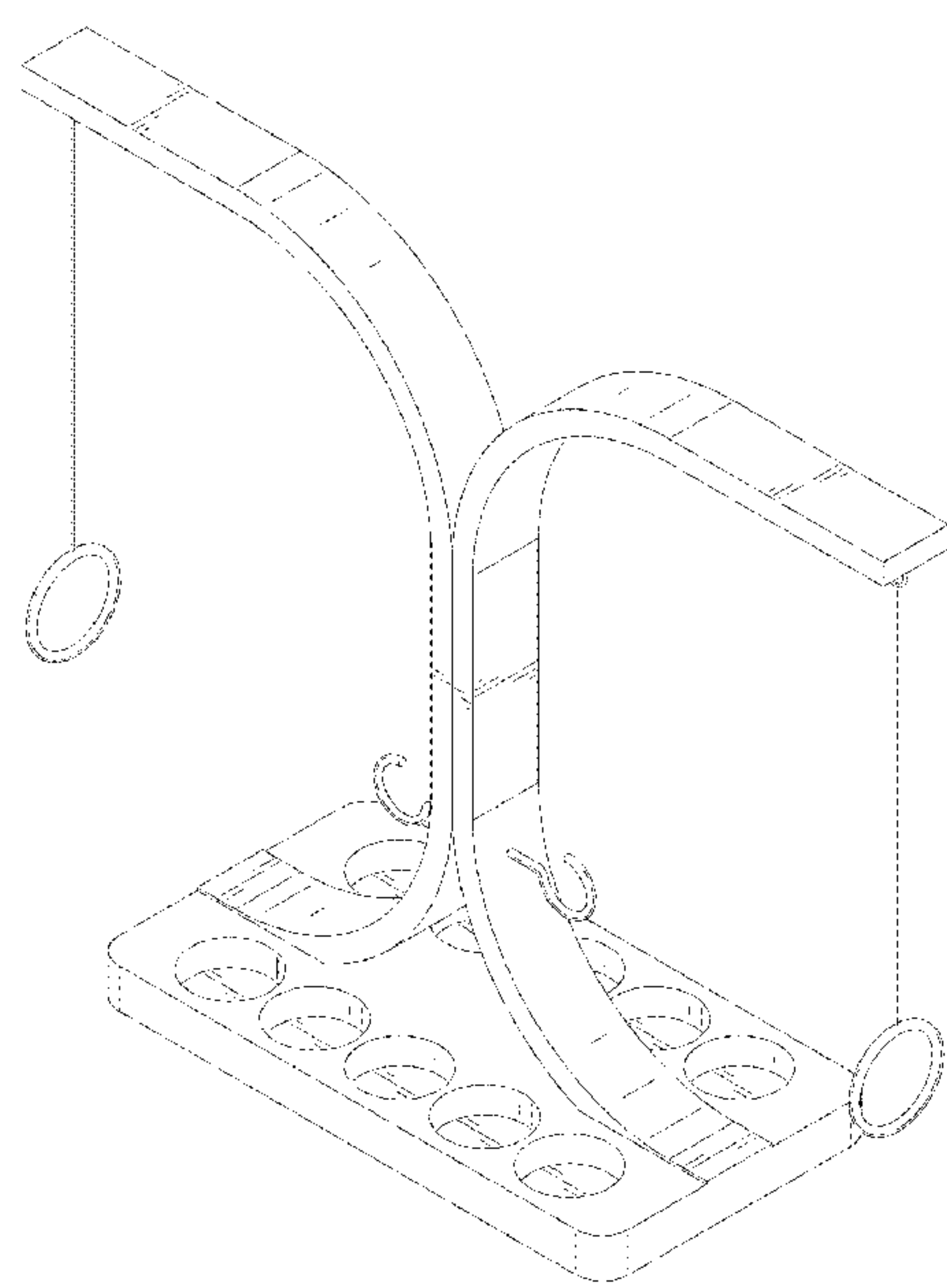
The ornamental design for a toy, as shown and described.

DESCRIPTION

FIG. 1 is a front, right, and top perspective view of a toy, showing my new design;
FIG. 2 is a rear, right, and bottom perspective view thereof;
FIG. 3 is a front elevational view thereof;
FIG. 4 is a rear elevational view thereof;
FIG. 5 is a left elevational view thereof;
FIG. 6 is a right elevational view thereof;
FIG. 7 is a top plan view thereof; and,
FIG. 8 is a bottom plan view thereof.

1 Claim, 8 Drawing Sheets

(56) **References Cited**
U.S. PATENT DOCUMENTS
1,052,907 A * 2/1913 Fergusson A63F 9/02
273/332
2,168,392 A * 8/1939 Birch A63F 7/00
D21/309
D133,006 S * 7/1942 Goldenberg D21/309
D150,236 S * 7/1948 Kneser D21/309
2,942,886 A * 6/1960 Ackerman A63B 67/10
D21/309
3,656,747 A * 4/1972 Revell, Jr. A63B 67/10
248/539
D226,770 S * 4/1973 Prischak D21/309
D236,220 S * 8/1975 Nicodemas D21/309



(56)

References Cited

U.S. PATENT DOCUMENTS

2009/0206550 A1* 8/2009 Pershin A63F 9/0208
273/332
2010/0187760 A1* 7/2010 Hilbert, Jr. A63B 67/06
273/332
2014/0049007 A1* 2/2014 McGetrick A63B 67/06
273/332
2015/0115530 A1* 4/2015 Vanston A63B 67/06
273/332
2016/0339333 A1* 11/2016 McGetrick A63B 67/10
2021/0113901 A1* 4/2021 McGetrick A63B 67/06

* cited by examiner

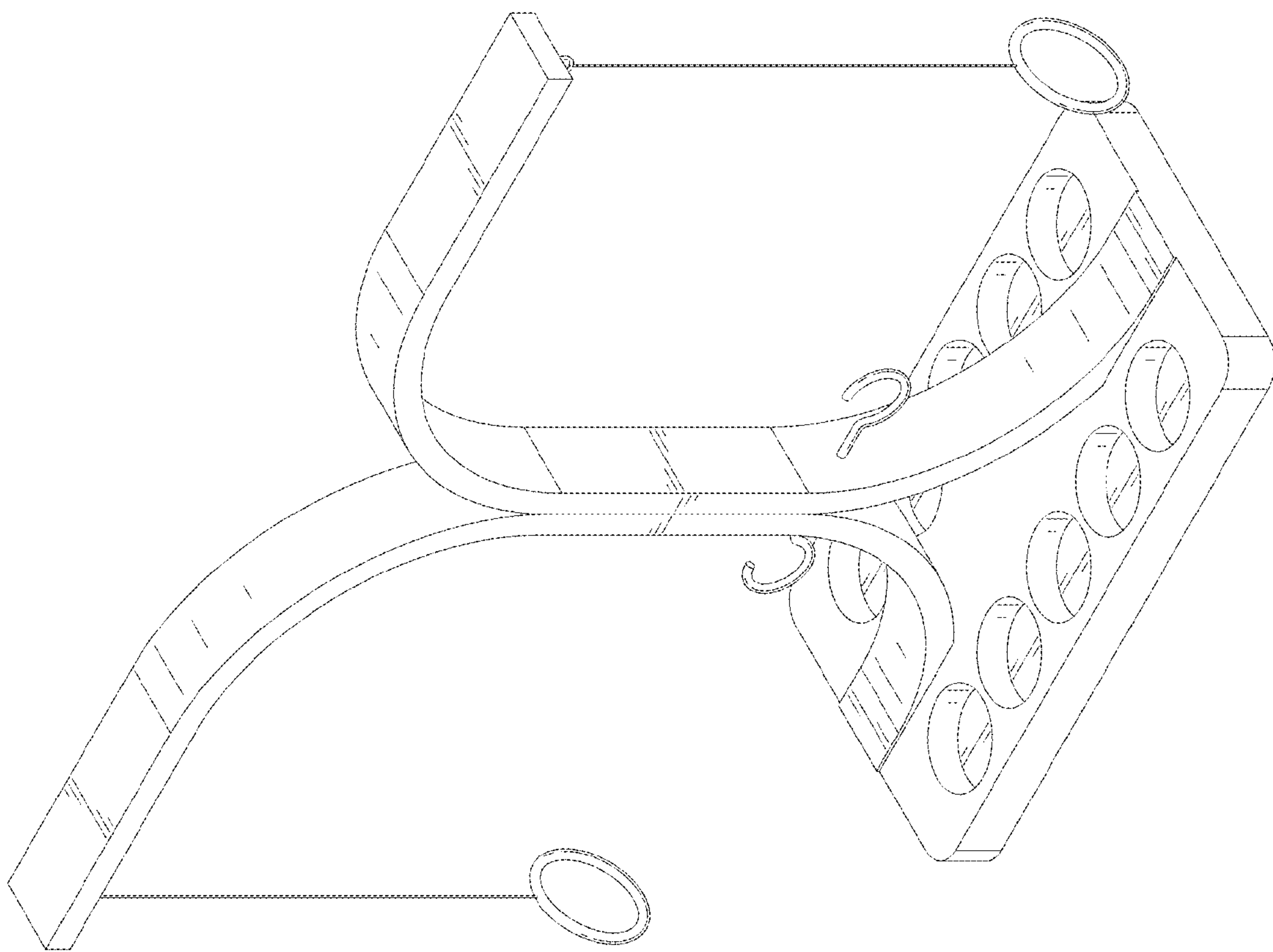


FIG.1

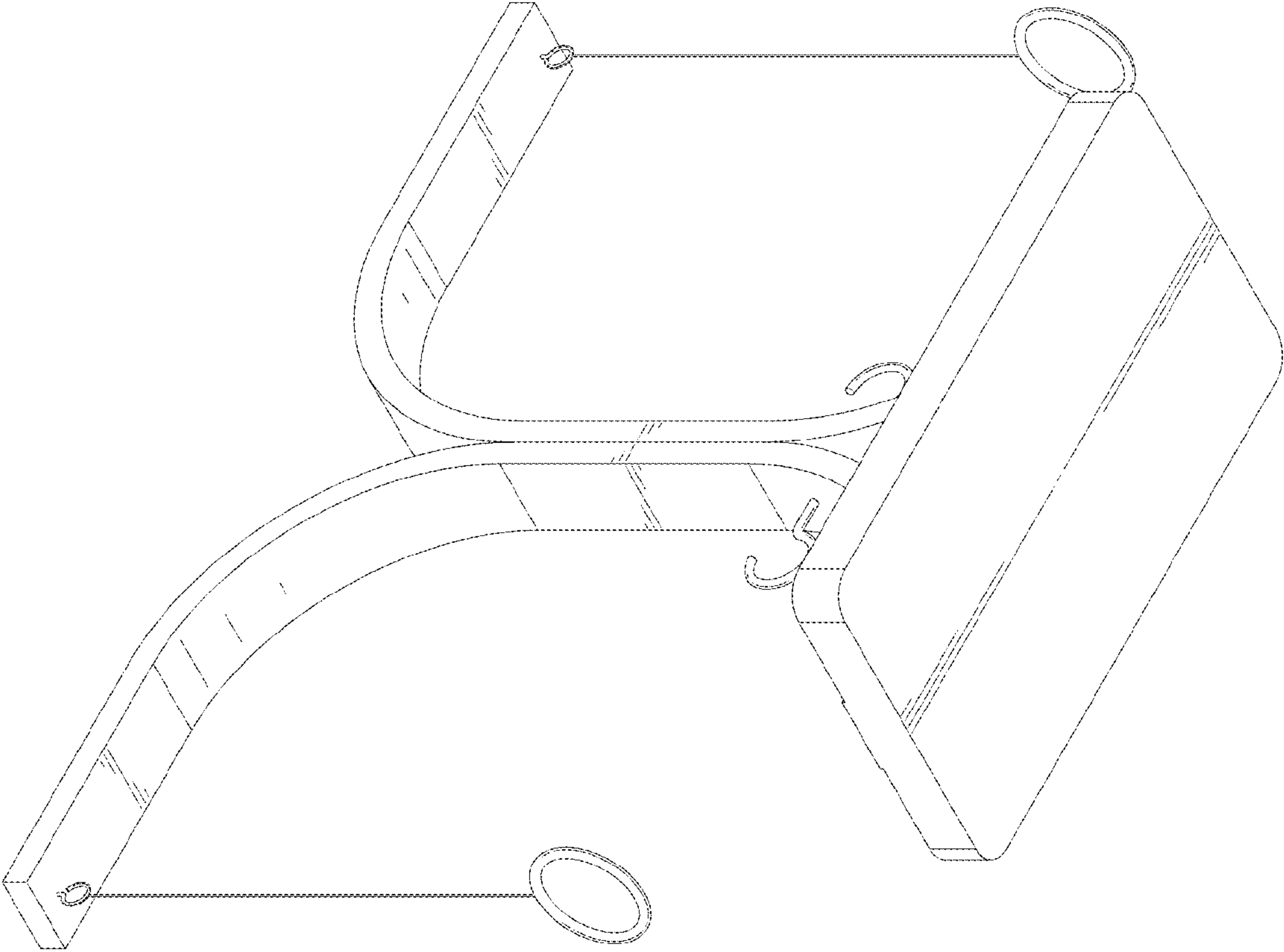


FIG.2

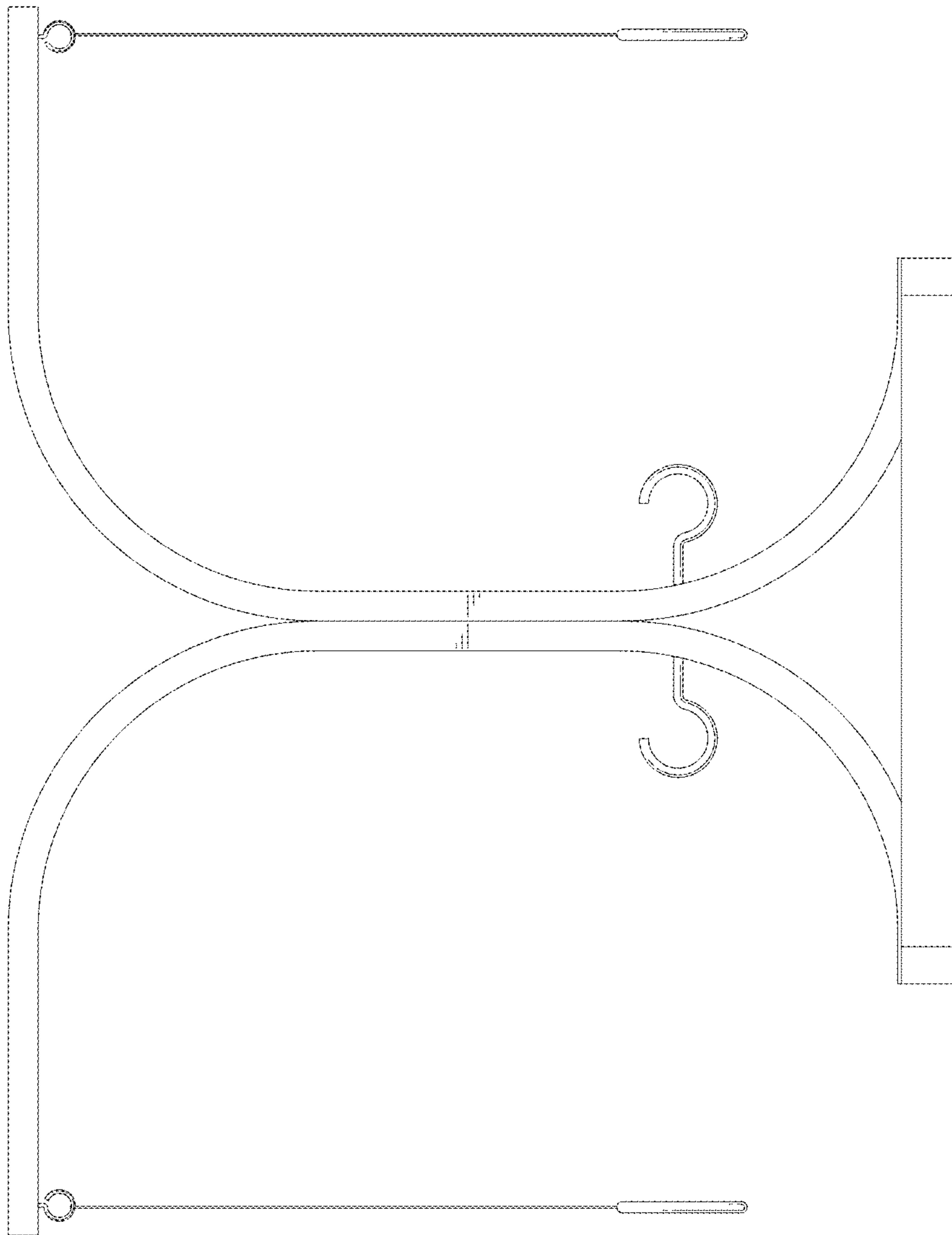


FIG. 3

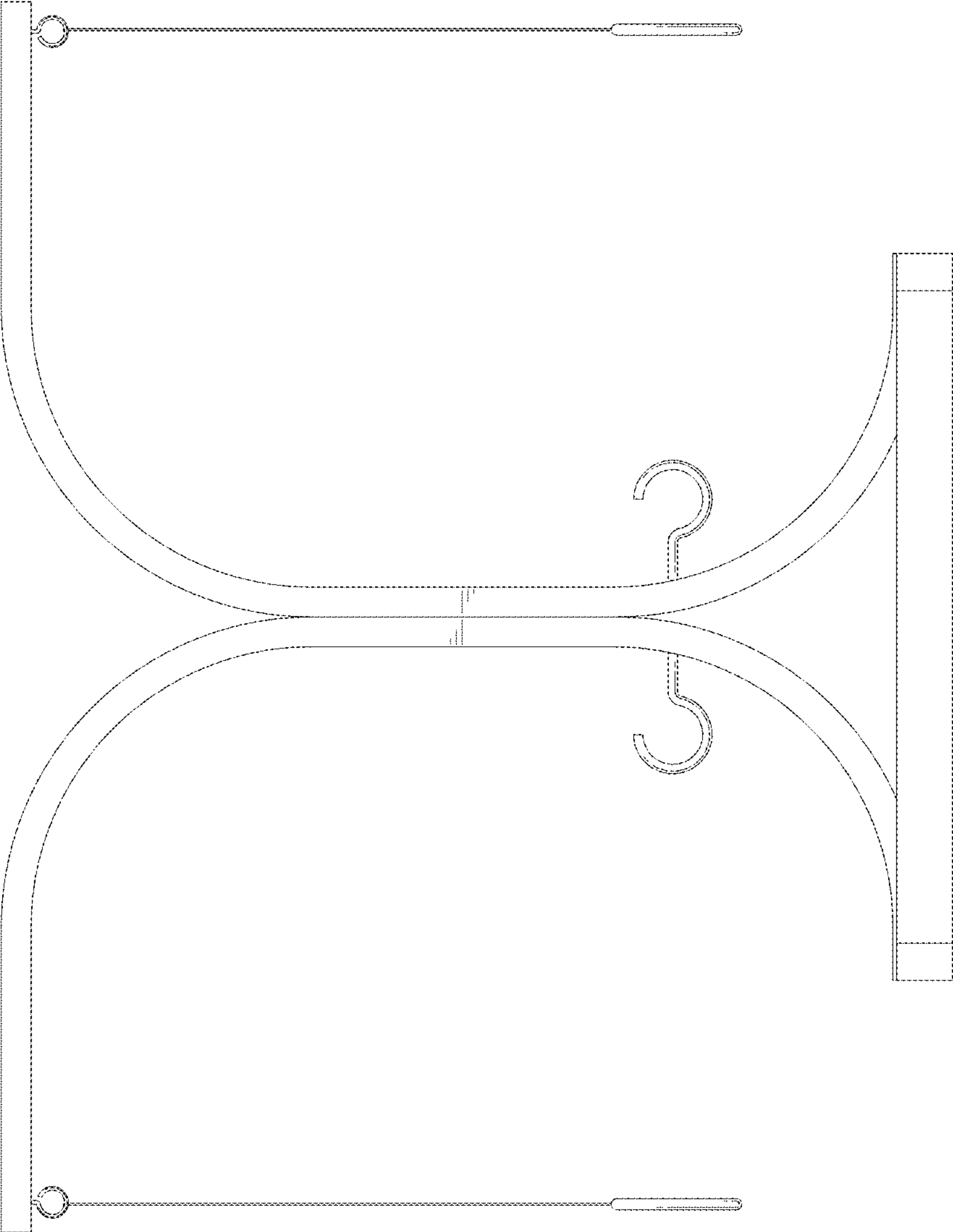


FIG.4

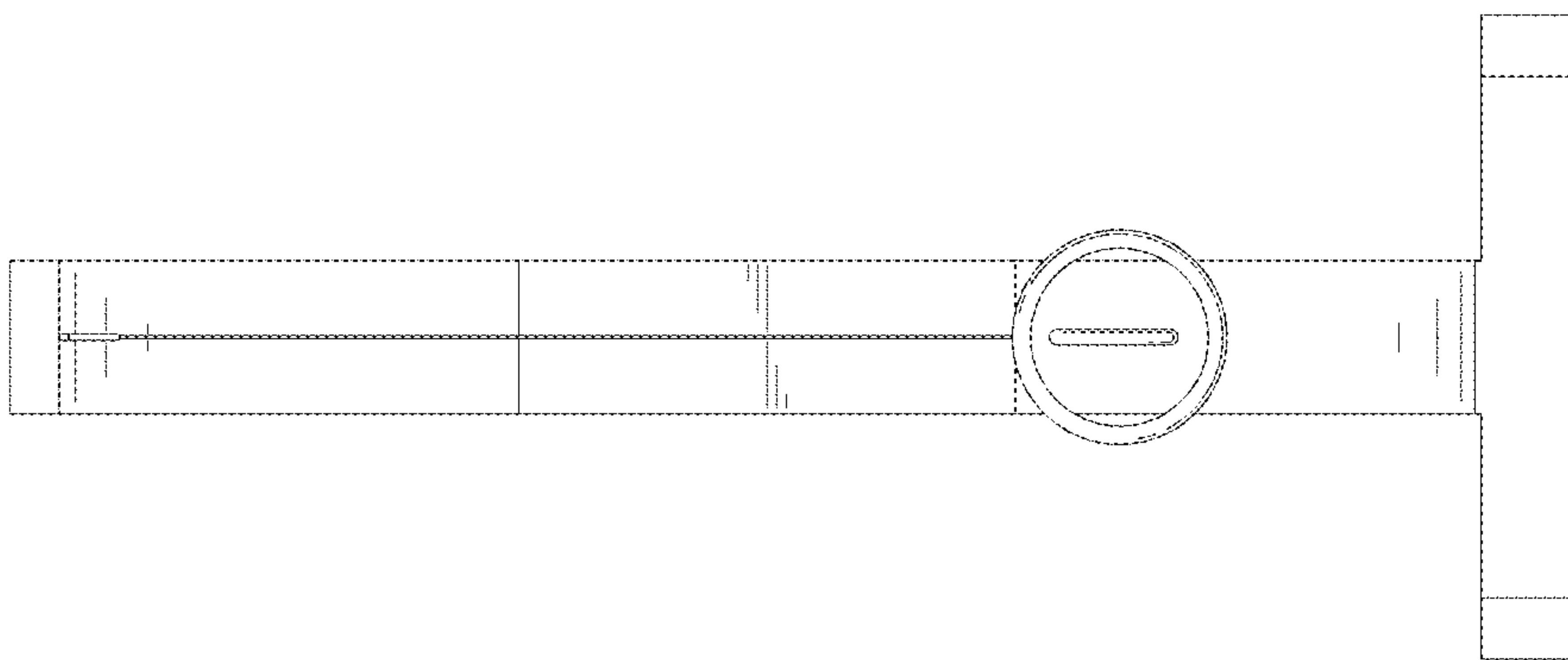


FIG. 5

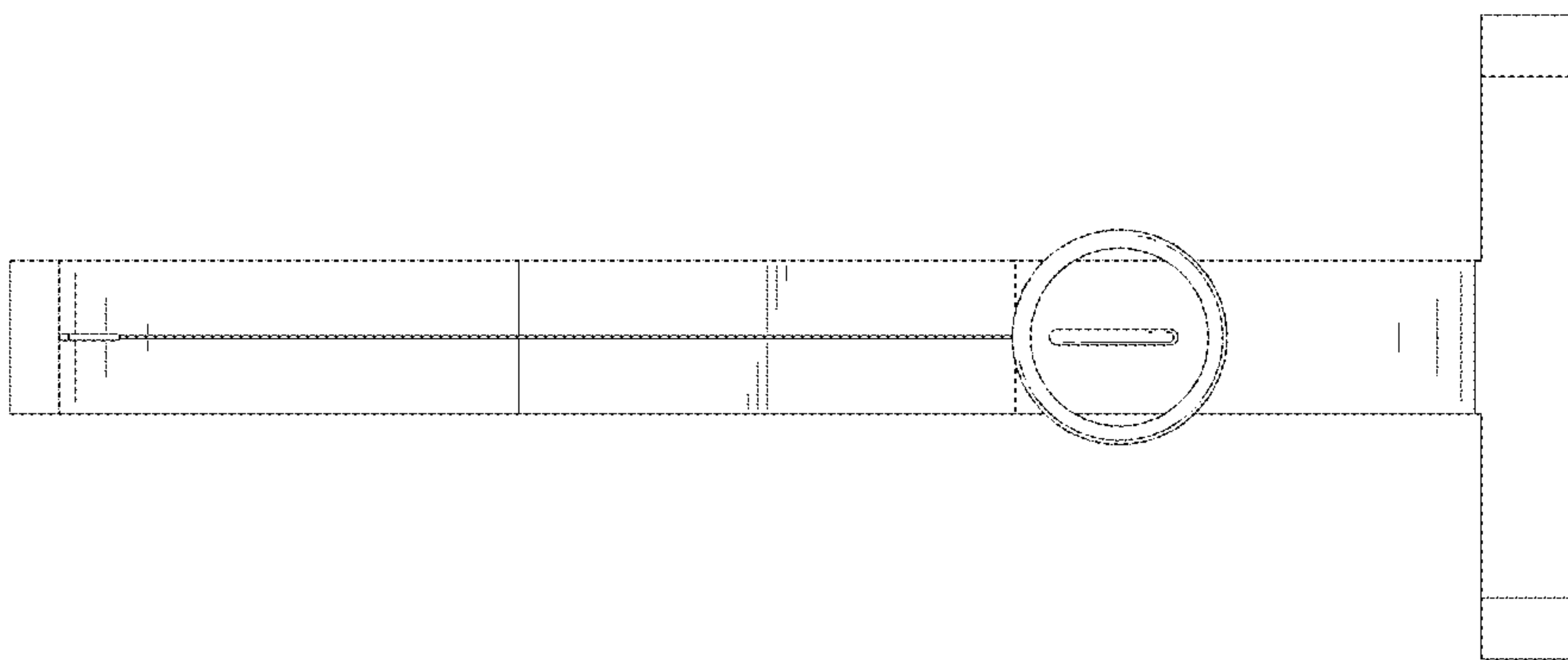


FIG. 6

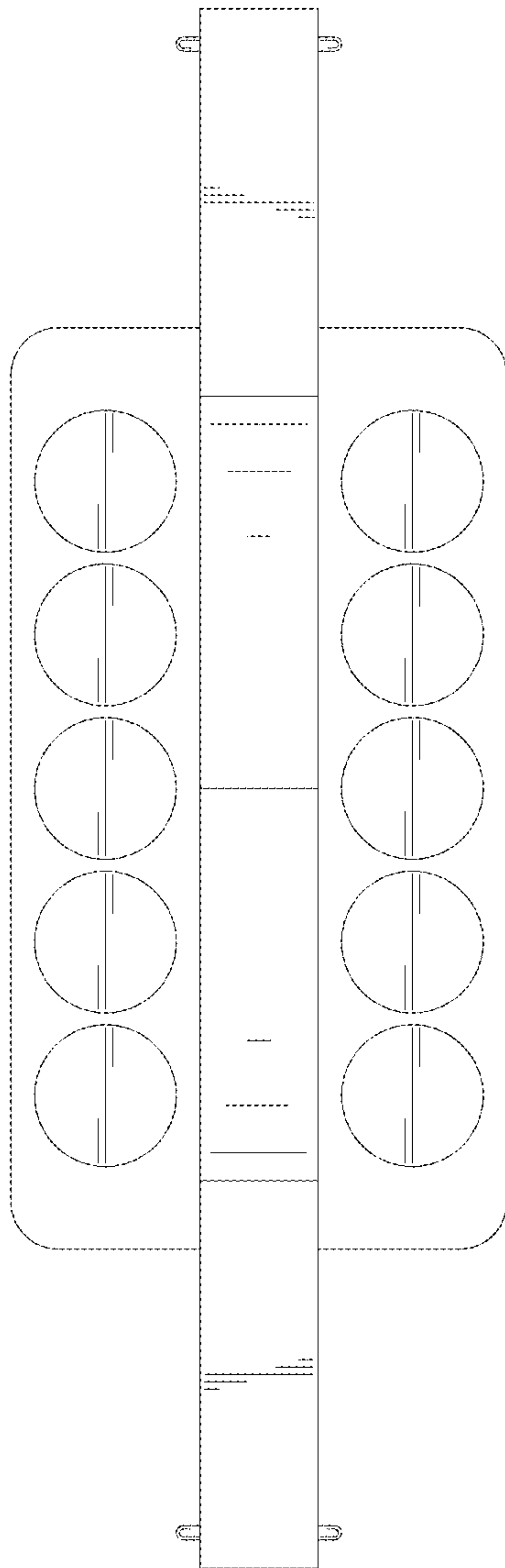


FIG. 7

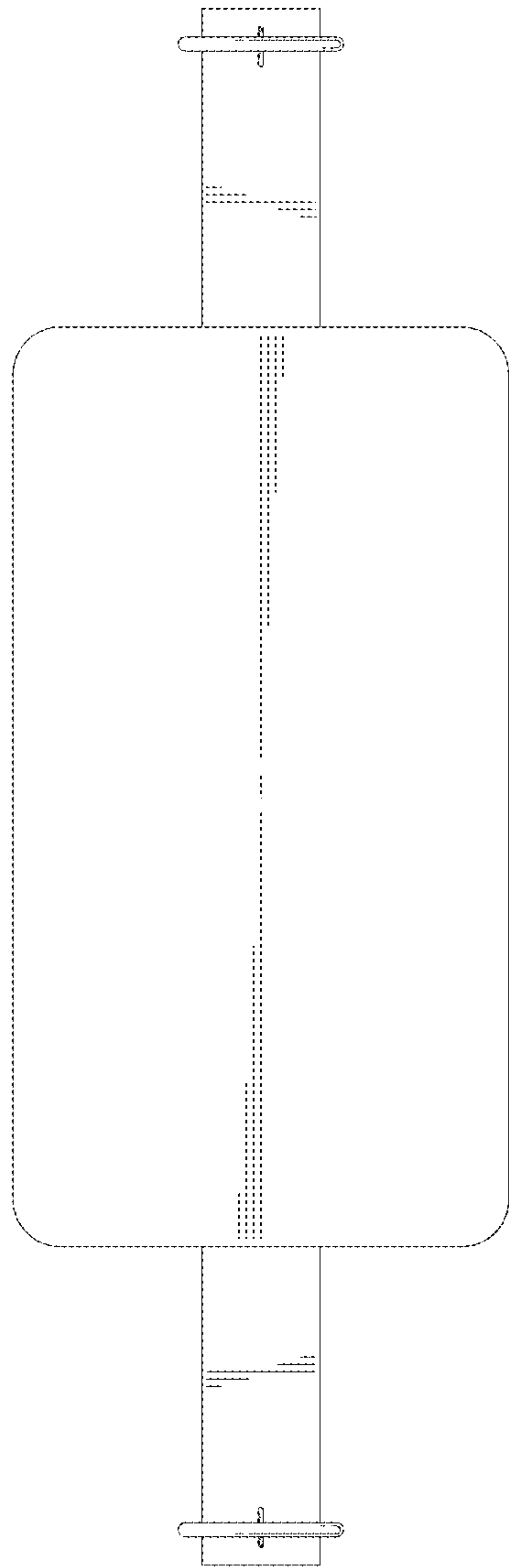


FIG. 8