



US00D986970S

(12) **United States Design Patent**
Deng

(10) **Patent No.:** **US D986,970 S**

(45) **Date of Patent:** **** May 23, 2023**

- (54) **SHELF LABEL PLATE**
- (71) Applicant: **Qiuying Deng**, Nanchang (CN)
- (72) Inventor: **Qiuying Deng**, Nanchang (CN)
- (73) Assignee: **Qiuying Deng**, Nanchang (CN)
- (**) Term: **15 Years**

(21) Appl. No.: **29/870,057**

(22) Filed: **Jan. 16, 2023**

(51) **LOC (14) Cl.** **20-03**

(52) **U.S. Cl.**
USPC **D20/43**

(58) **Field of Classification Search**
 USPC D6/300, 301; D19/1, 2, 3, 4, 5, 6, 7, 8,
 D19/9, 10, 11, 12, 113; D20/10, 11, 19,
 D20/22, 23, 24, 25, 26, 27, 28, 29, 42,
 D20/43, 99
 CPC G09F 3/00; G09F 3/04; G09F 3/08; G09F
 3/10; G09F 5/04; G09F 7/00; G09F 7/12;
 G09F 2007/127; G09F 5/00; G09F 9/00;
 A23V 2002/00

See application file for complete search history.

(56) **References Cited**

U.S. PATENT DOCUMENTS

- 2,984,031 A * 5/1961 Giesecke G09F 3/204
40/649
- D291,097 S * 7/1987 Dalbey D25/124
- 4,798,014 A * 1/1989 Stoerzinger G09F 1/04
40/642.02
- 5,263,269 A * 11/1993 Tjarnlund G09F 3/204
40/649
- 5,272,826 A * 12/1993 Gingras G09F 7/04
40/661.01
- 5,456,034 A * 10/1995 Lewis G09F 3/204
24/336
- 6,439,534 B1 * 8/2002 Hensel A47J 47/16
248/452
- D470,893 S * 2/2003 Valiulis D20/44

- D480,434 S * 10/2003 Brinkman D20/43
- D510,603 S * 10/2005 Lowry D20/44
- D513,041 S * 12/2005 Lowry
- D531,227 S * 10/2006 Mueller D20/44
- D579,984 S * 11/2008 Bruegmann D20/43
- 7,739,820 B2 * 6/2010 Frank G09F 3/204
40/658
- D640,749 S * 6/2011 Darress D20/40
- D694,826 S * 12/2013 Ricci D20/42
- 2003/0024889 A1 * 2/2003 Dumontet A47F 1/125
211/59.3
- 2003/0182835 A1 * 10/2003 Nagel G09F 3/204
40/661

(Continued)

OTHER PUBLICATIONS

Index, posted at fjsxzheng.com, posted on Jul. 15, 2017, site visited Mar. 7, 2023. online, available from internet: <https://tineye.com/search/edbbcd84b7e3f2bcbcd4477cf1a4755544e3790?sort=score&order=desc&page=1> (Year: 2017).*

Primary Examiner — Catherine Ho

(74) *Attorney, Agent, or Firm* — Nitin Kaushik

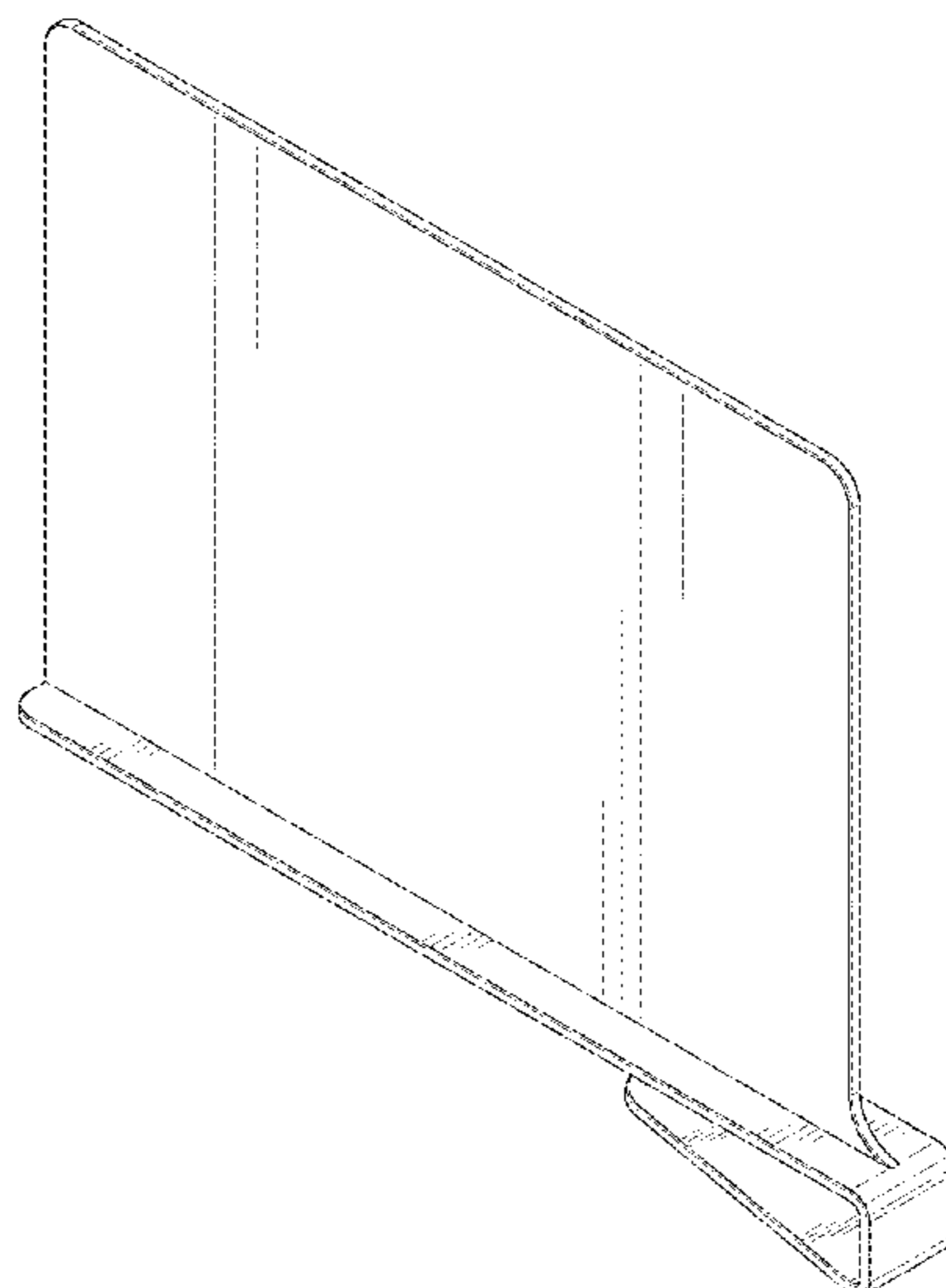
(57) **CLAIM**

The ornamental design for a shelf label plate, as shown and described.

DESCRIPTION

FIG. 1 is a front perspective view of a shelf label plate, showing my new design;
 FIG. 2 is a rear perspective view thereof;
 FIG. 3 is a front view thereof;
 FIG. 4 is a rear view thereof;
 FIG. 5 is a left side view thereof;
 FIG. 6 is a right side view thereof;
 FIG. 7 is a top view thereof; and,
 FIG. 8 is a bottom view thereof.

1 Claim, 8 Drawing Sheets



(56)

References Cited

U.S. PATENT DOCUMENTS

2004/0050812	A1 *	3/2004	Rojas	A47F 5/0068 40/649
2005/0102874	A1 *	5/2005	Lowry	G09F 3/204 40/642.01
2006/0075670	A1 *	4/2006	Brinkman	G09F 3/204 40/666
2011/0214325	A1 *	9/2011	Darress	G09F 3/204 40/661.03
2015/0068086	A1 *	3/2015	Theisen	G09F 3/204 40/661.06
2018/0082612	A1 *	3/2018	McDade	G09F 3/201
2020/0320905	A1 *	10/2020	Konow	G09F 3/208

* cited by examiner

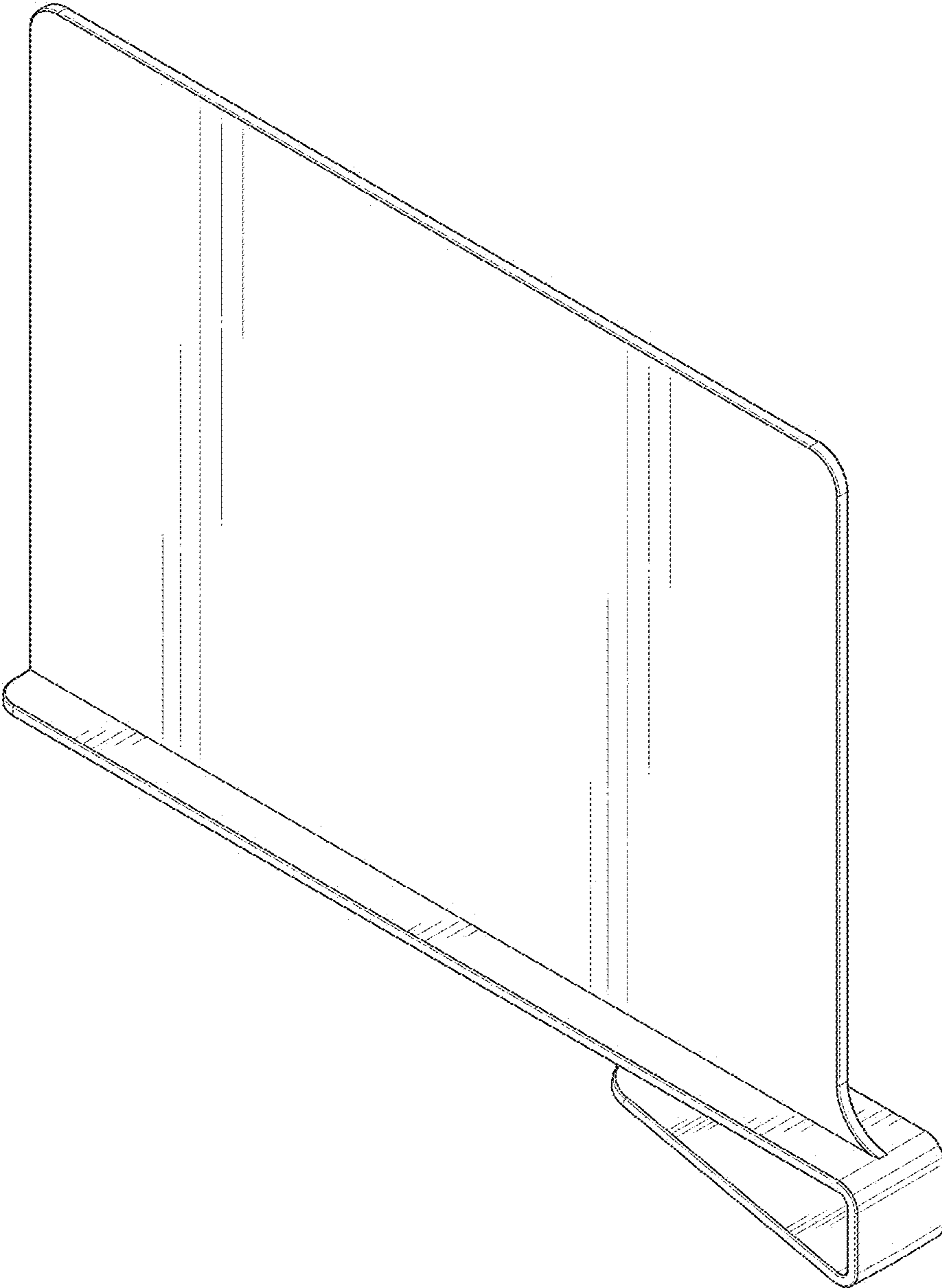


FIG. 1

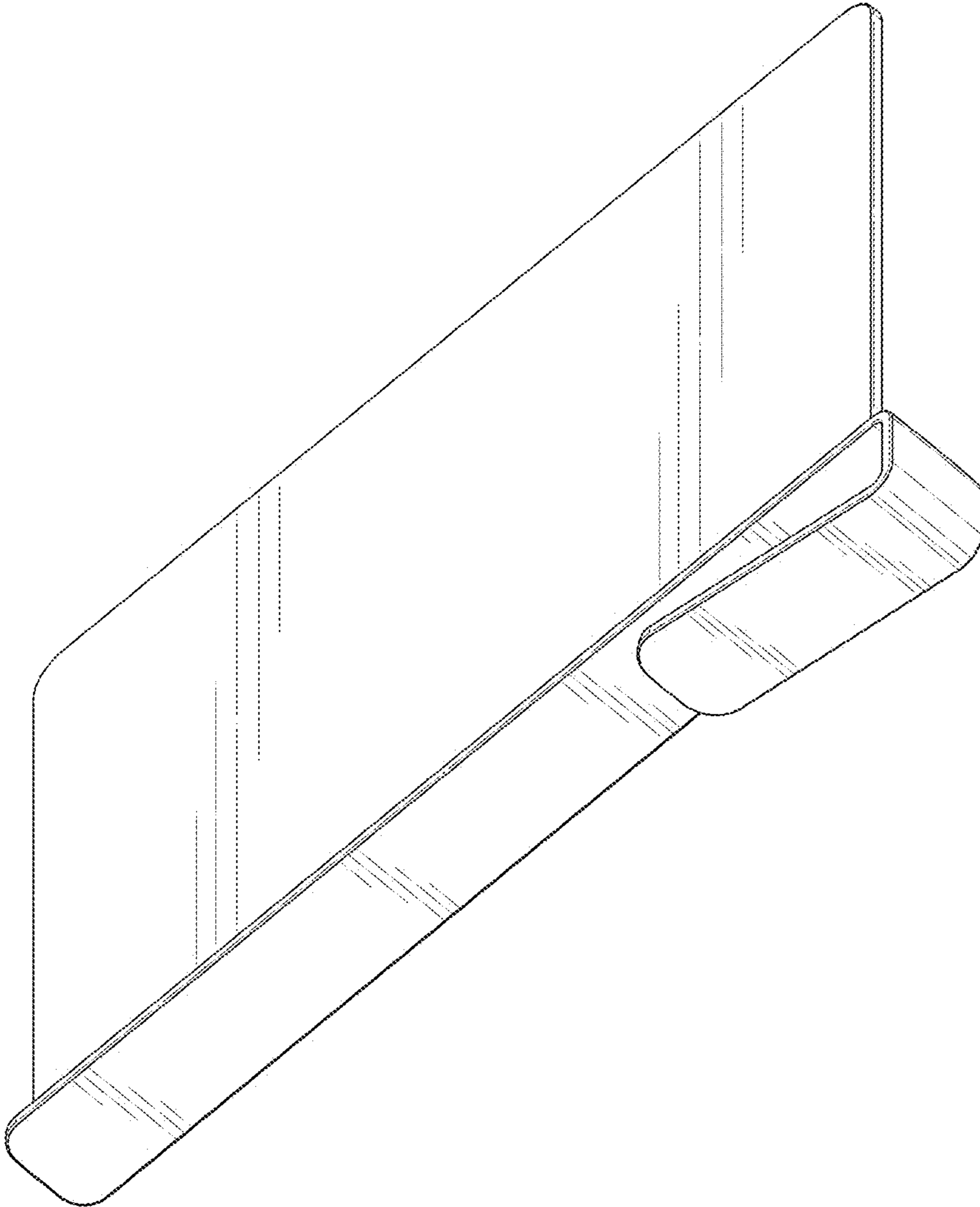


FIG.2

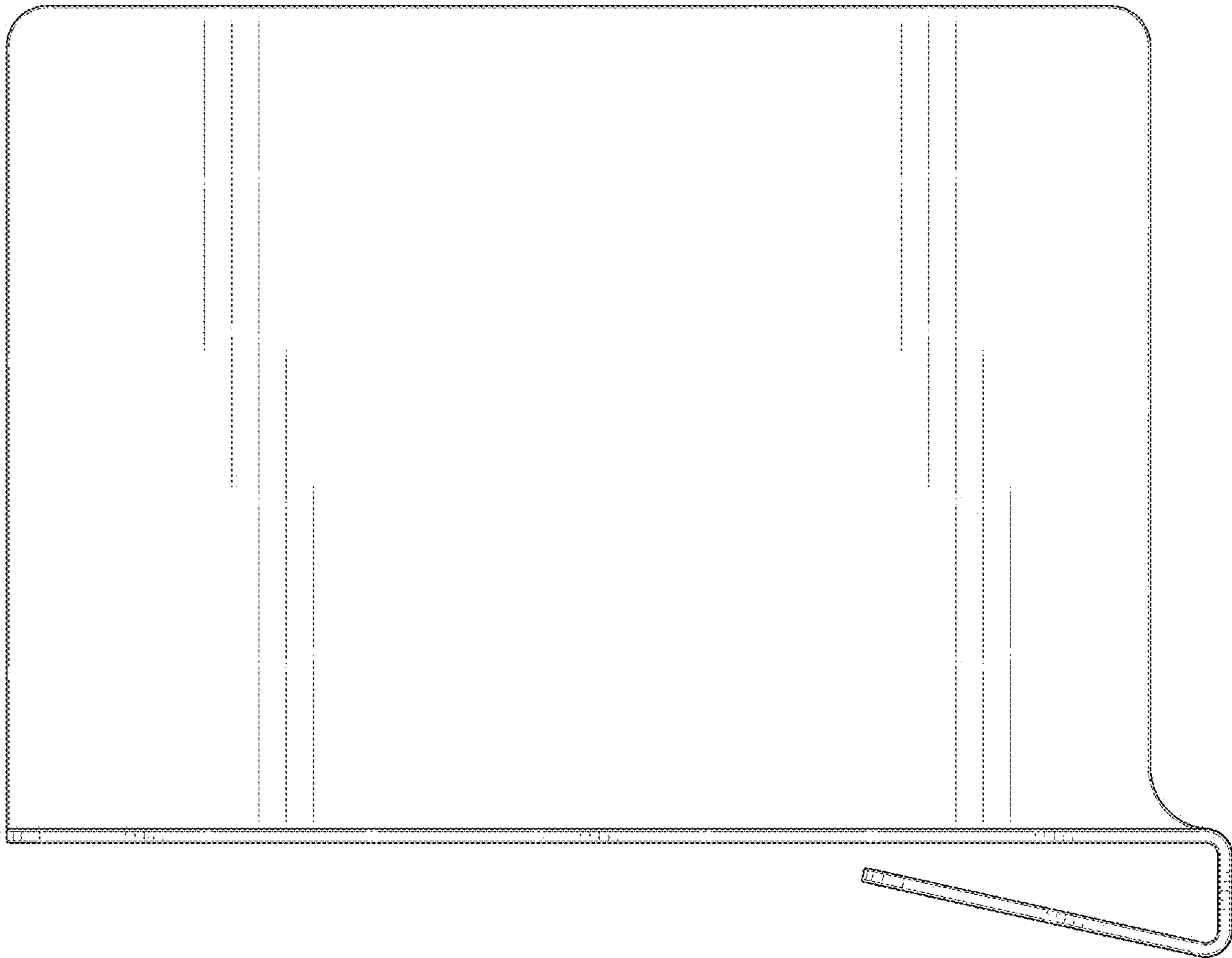


FIG.3

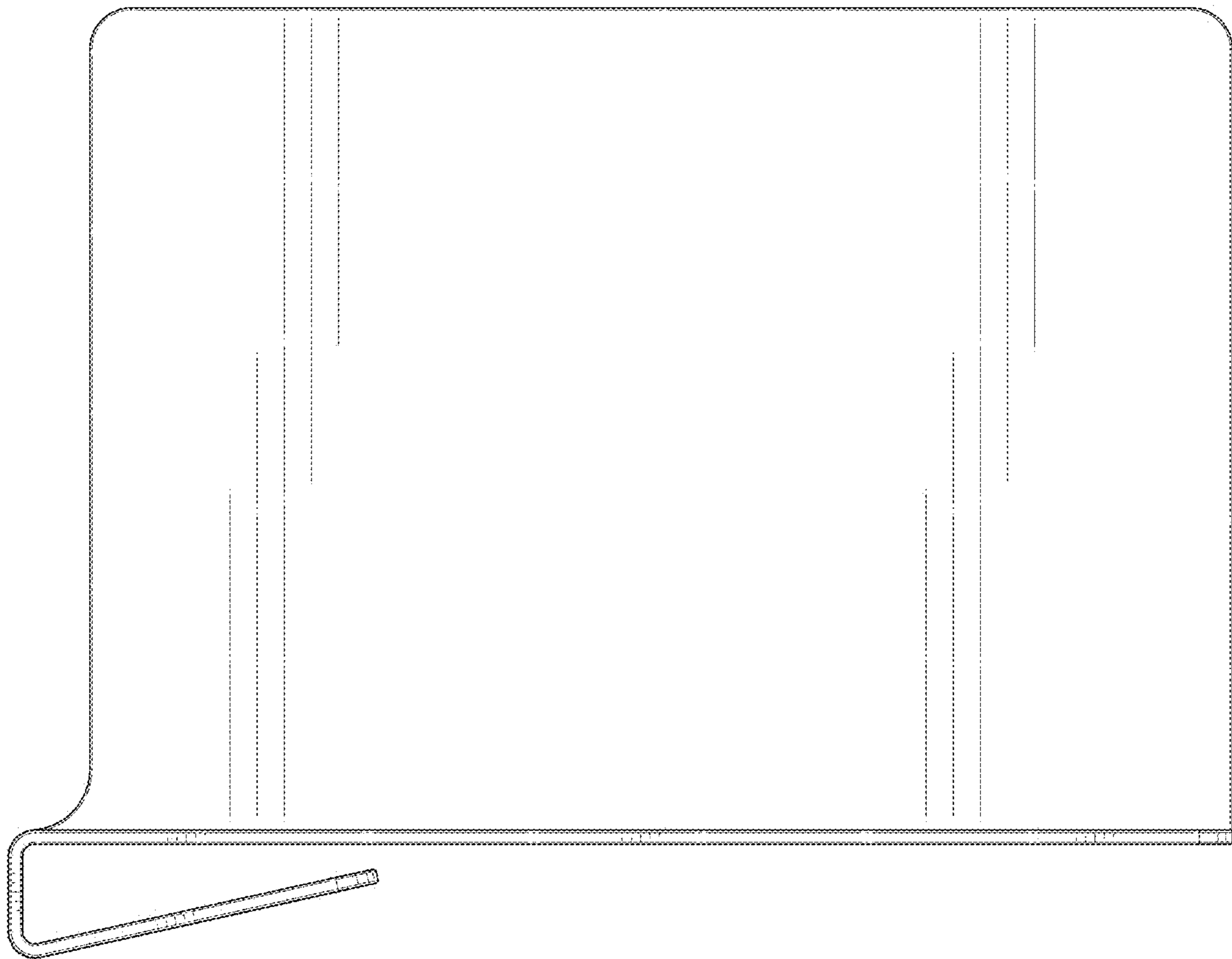


FIG.4

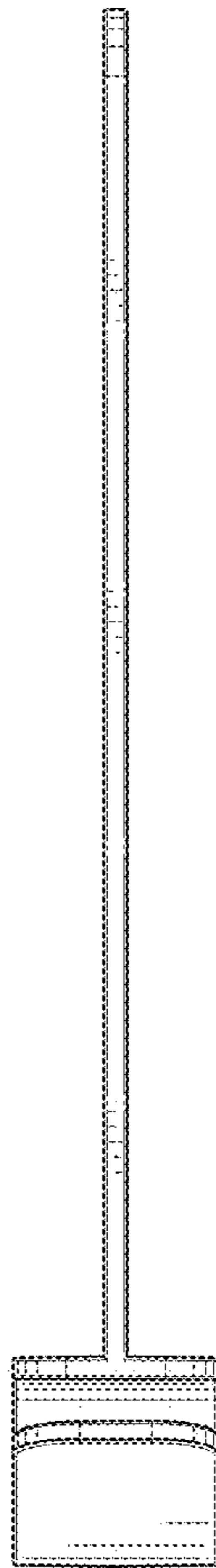


FIG.5

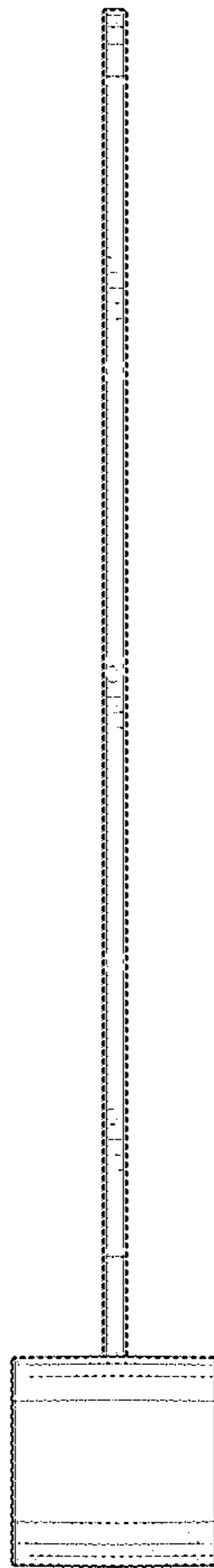


FIG.6

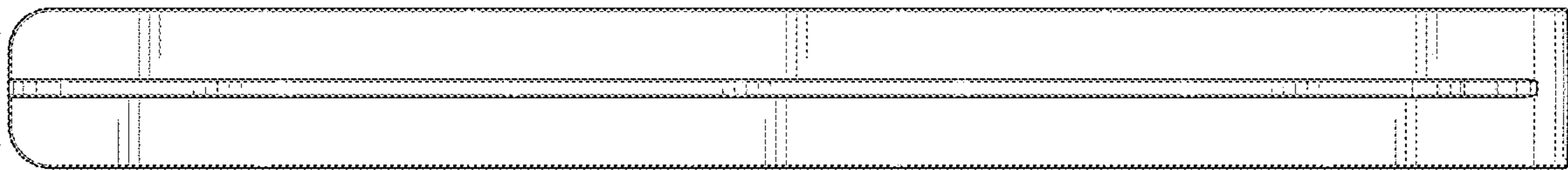


FIG.7



FIG.8