



US00D986968S

(12) **United States Design Patent**
Yao

(10) **Patent No.:** **US D986,968 S**

(45) **Date of Patent:** **** May 23, 2023**

(54) **BOOK STAND**

(71) Applicant: **Yujin Yao**, Ganzhou (CN)

(72) Inventor: **Yujin Yao**, Ganzhou (CN)

(**) Term: **15 Years**

(21) Appl. No.: **29/806,933**

(22) Filed: **Sep. 8, 2021**

(51) **LOC (14) Cl.** **19-02**

(52) **U.S. Cl.**
USPC **D19/91**

(58) **Field of Classification Search**

USPC D19/91, 113; D14/224, 224.1, 217, 230,
D14/239, 251, 252, 253, 432, 433, 434,
D14/439, 440, 447, 451, 452, 457;
D8/349, 354, 355, 373, 380; D16/242,
D16/244, 245; D6/300, 682, 700, 701;
D12/415; D23/231; D3/276

CPC A47B 23/02; A47B 23/042
See application file for complete search history.

(56) **References Cited**

U.S. PATENT DOCUMENTS

- 2,739,569 A * 3/1956 Brazee A47B 21/045
400/718
- D239,531 S * 4/1976 Clowe D19/91
- D275,431 S * 9/1984 Usab D14/452
- D311,422 S * 10/1990 Strater D19/91
- D466,397 S * 12/2002 Marwick D8/349
- D522,009 S * 5/2006 Chen D14/452
- D556,205 S * 11/2007 Wohlford D14/452
- D566,987 S 4/2008 Harrison
- D568,325 S * 5/2008 Muday D14/452
- D584,734 S * 1/2009 Chu D14/452
- D643,042 S * 8/2011 Saelid D14/452
- D660,308 S * 5/2012 Huang D14/452
- D676,451 S * 2/2013 Stanek D14/447

- D679,282 S * 4/2013 Liu D14/452
- D697,345 S 1/2014 Therrien
- D762,652 S * 8/2016 Dörre D14/452
- D796,519 S * 9/2017 Hung D14/452
- D815,624 S * 4/2018 Davis D14/239
- D822,671 S * 7/2018 Chu D14/452
- D848,444 S * 5/2019 Jung D14/452
- D852,174 S * 6/2019 Pei D14/239
- D872,067 S * 1/2020 Knapp D14/126
- D931,292 S * 9/2021 Kleist D14/452
- D933,077 S * 10/2021 Cho D14/452
- D936,069 S * 11/2021 You D14/452
- 2017/0160624 A1* 6/2017 Boushell G03B 17/561
- 2019/0293229 A1* 9/2019 Okuda F16M 11/18

OTHER PUBLICATIONS

WALI Laptop Tray, Amazon.com, date published Jun. 1, 2018, date
retrieved Nov. 12, 2022—29806933—<https://amzn.to/3WWxD7E>
(Year: 2018).*

(Continued)

Primary Examiner — Nicole C Shiflet

Assistant Examiner — Danielle Nichole Bowly

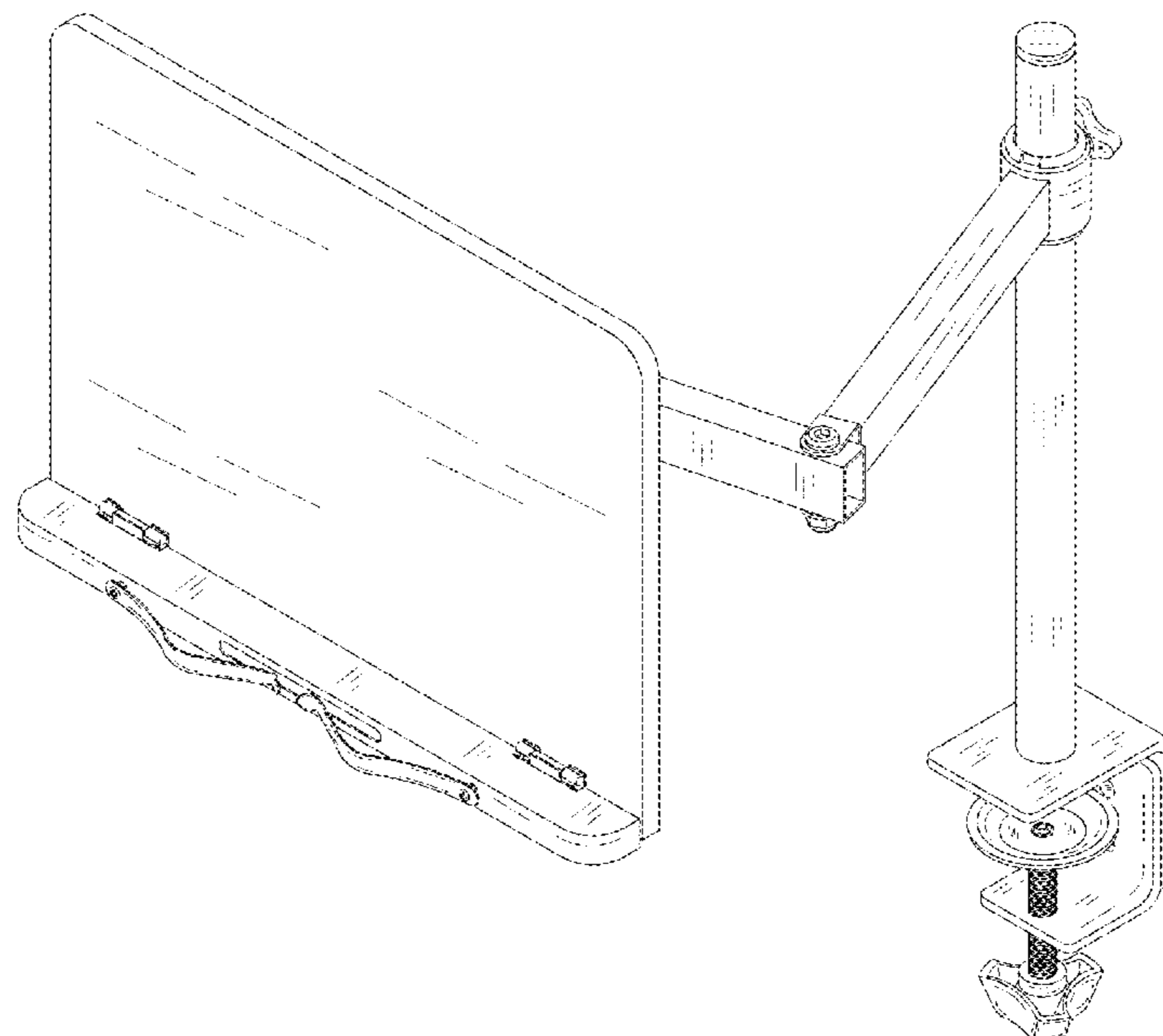
(57) **CLAIM**

The ornamental design for a book stand, substantially as
shown and described.

DESCRIPTION

FIG. 1 is a top, front and right side perspective view of a
book stand, showing my new design;
FIG. 2 is a front elevational view thereof;
FIG. 3 is a rear elevational view thereof;
FIG. 4 is a left side elevational view thereof;
FIG. 5 is a right side elevational view thereof;
FIG. 6 is a top plan view thereof; and,
FIG. 7 is a bottom plan view thereof.

1 Claim, 7 Drawing Sheets



(56)

References Cited

OTHER PUBLICATIONS

Wishacc Adjustable Book Holder, Amazon.com, date published Jul. 25, 2017, date retrieved Nov. 12, 2022—29806933—<https://www.amazon.com/Adjustable-Clips-Cookbook-Lightweight-Bookstand-Textbooks-Bookstands-Music/dp/B07459P7BF?th=1> (Year: 2017).*

Bamboo Book Stand Height Adjustable with Clamp, Amazon.com, date published Dec. 27, 2021, date retrieved Dec. 15, 2022—29806933—<https://www.amazon.com/dp/B09LS55ZLQ/> (Year: 2021).*

* cited by examiner

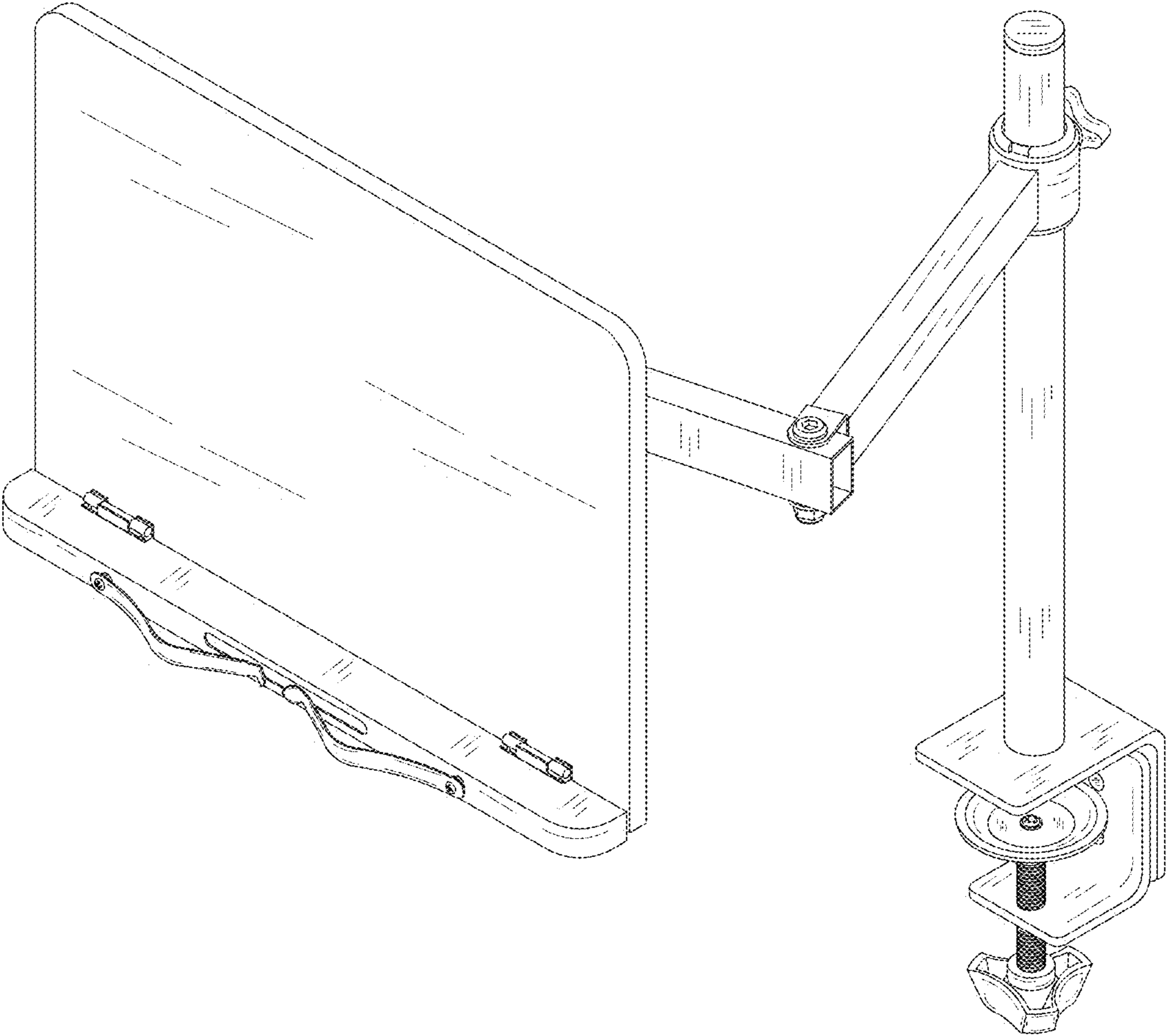


FIG. 1

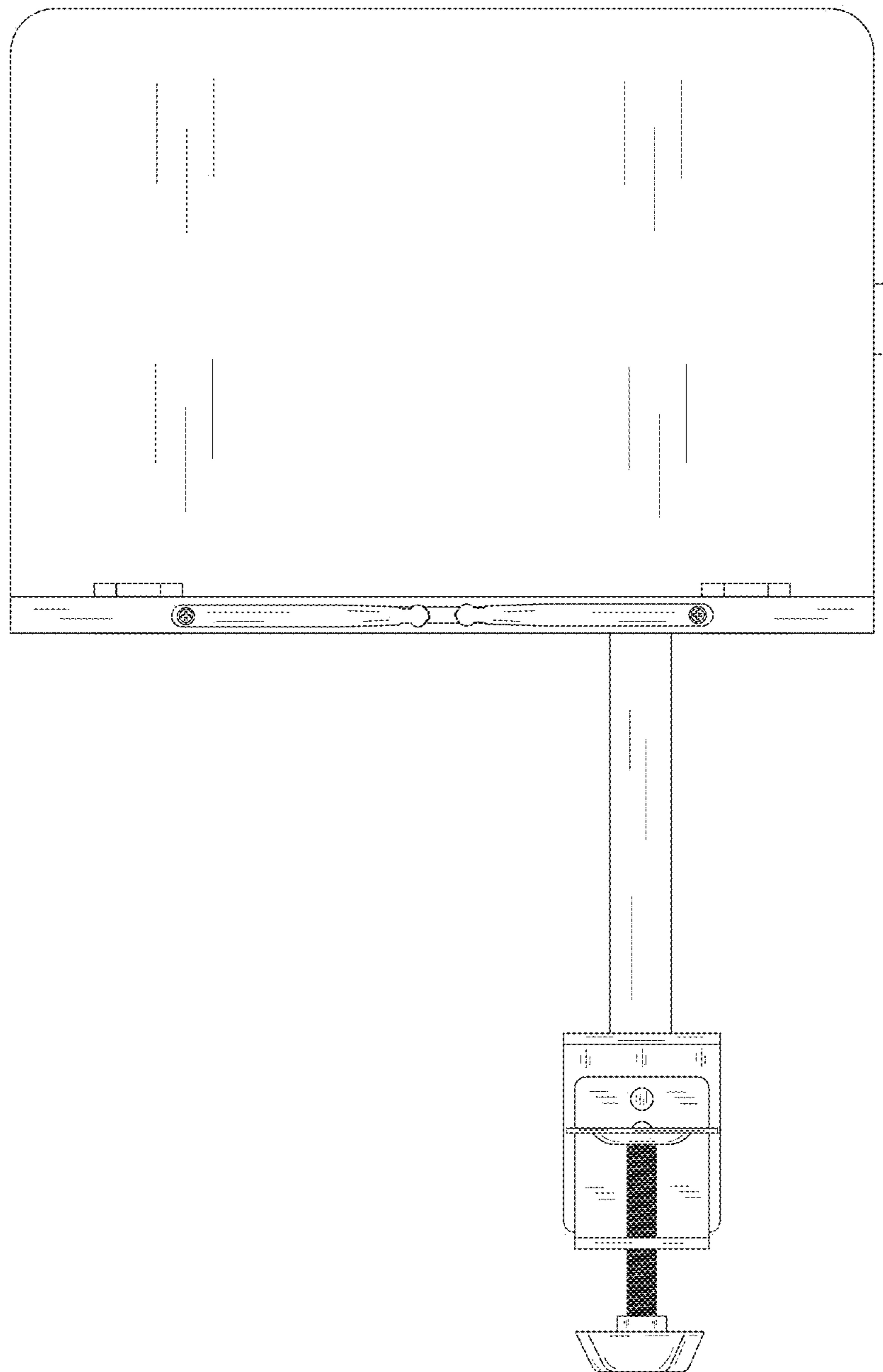


FIG. 2

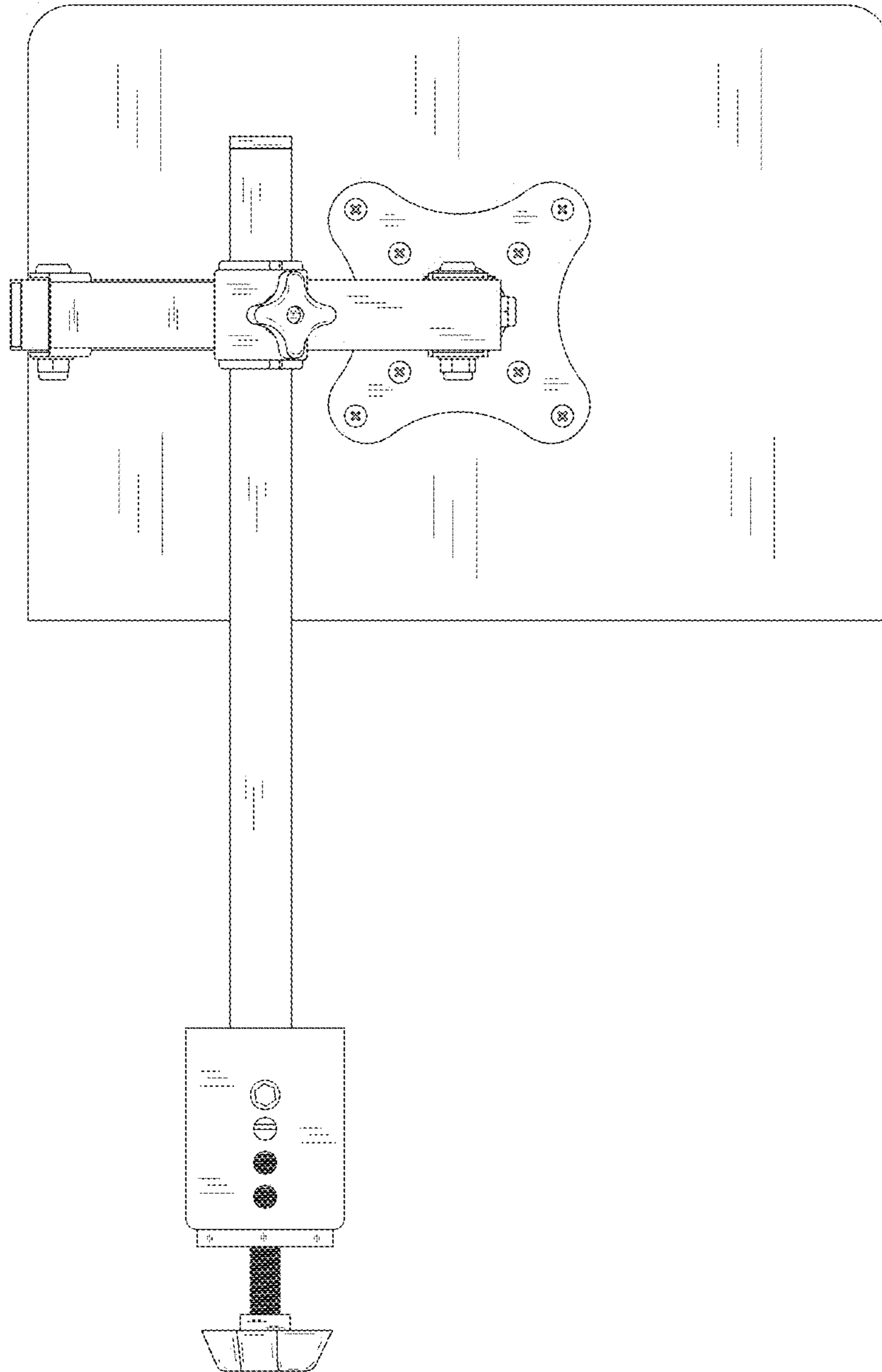


FIG. 3

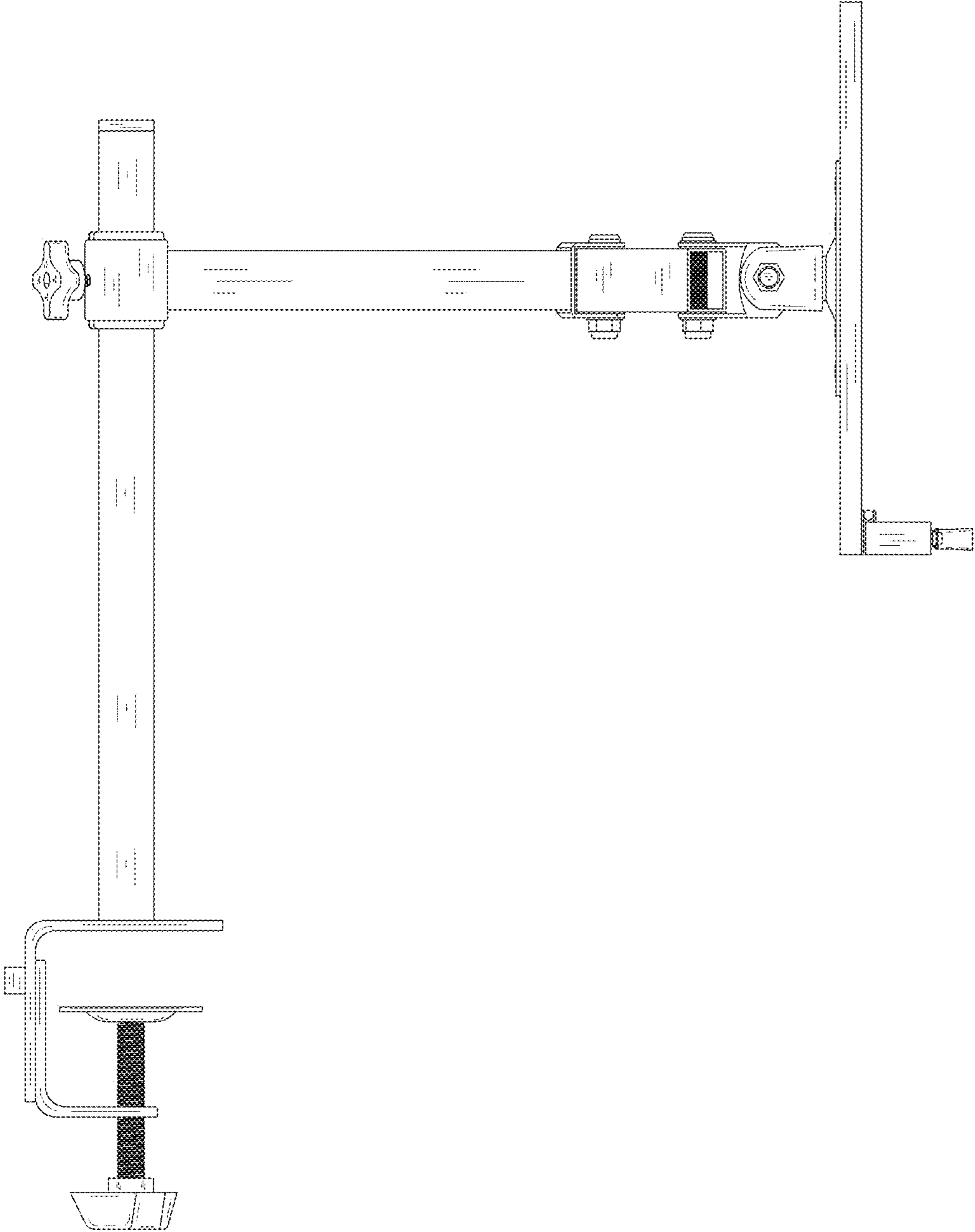


FIG. 4

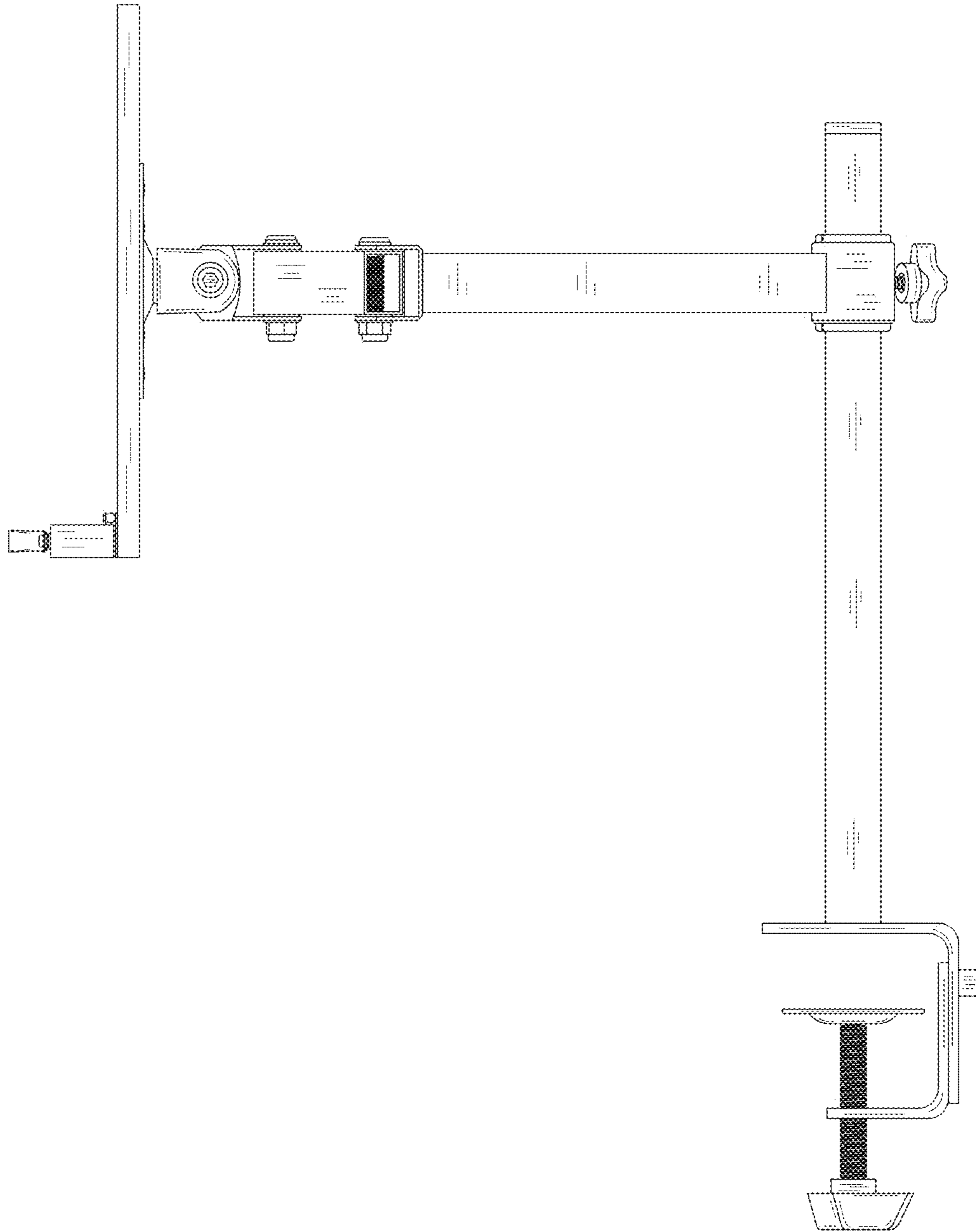


FIG. 5

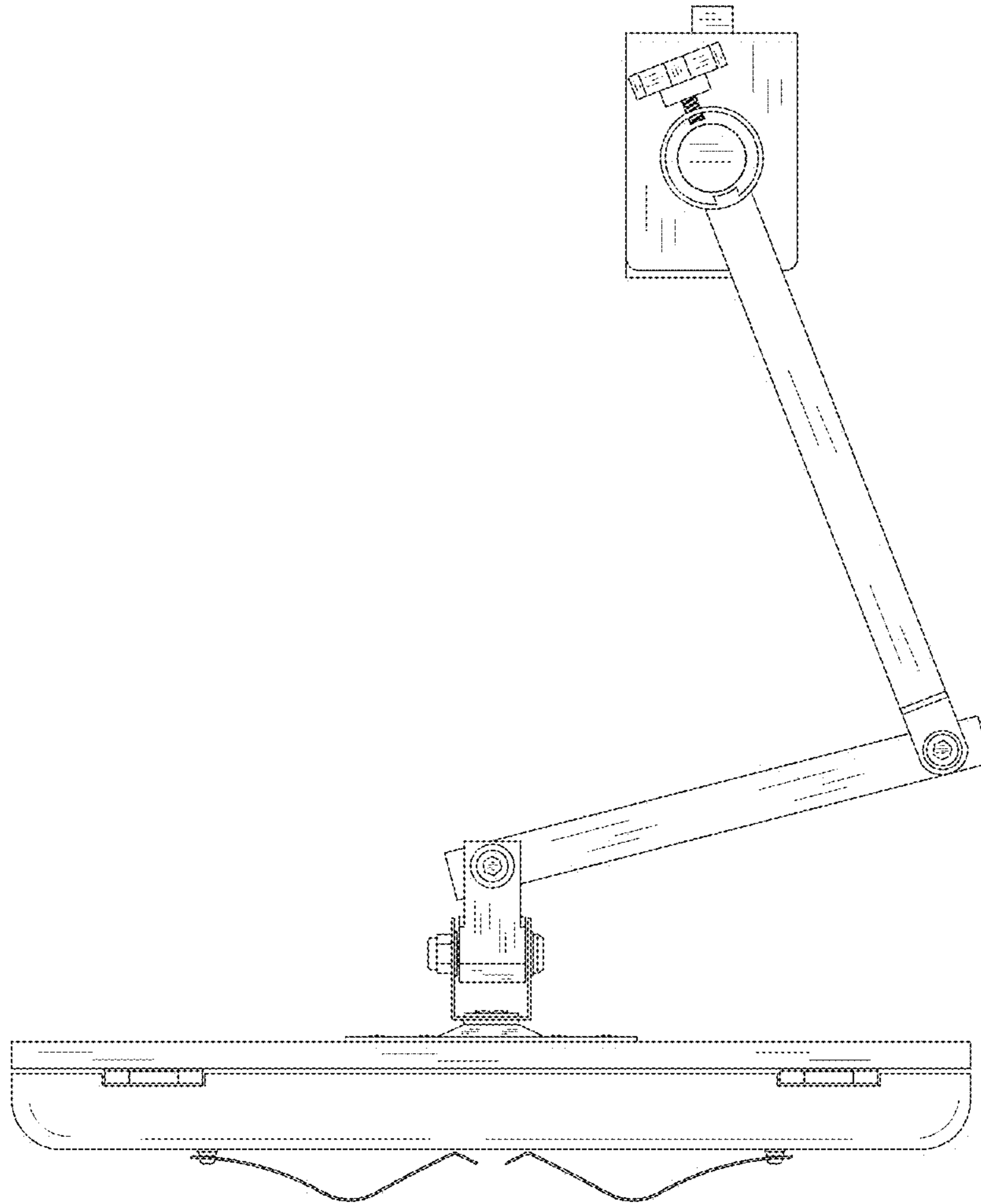


FIG. 6

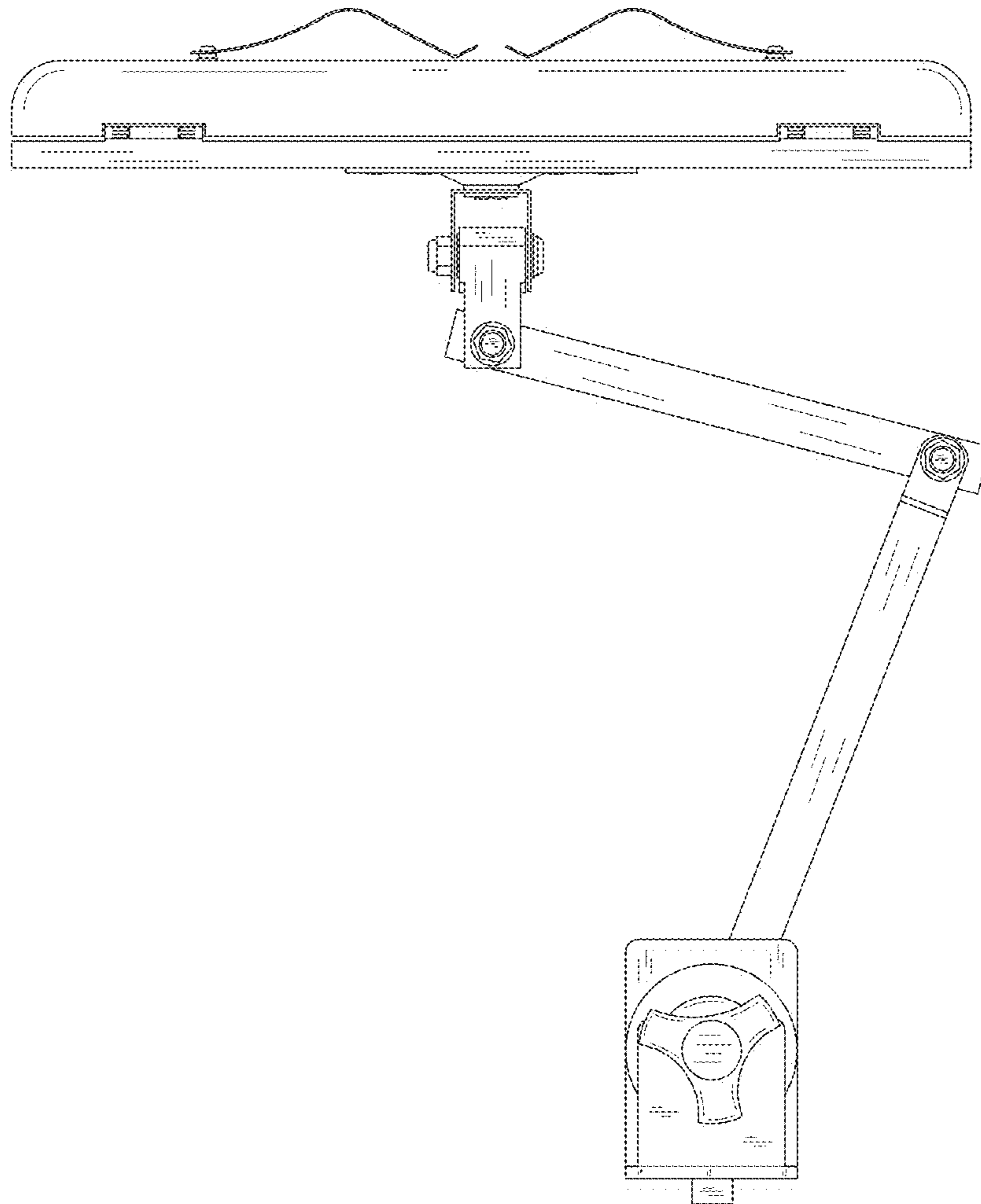


FIG. 7