



US00D986963S

(12) **United States Design Patent**
Cesar et al.

(10) **Patent No.:** **US D986,963 S**

(45) **Date of Patent:** **** May 23, 2023**

- (54) **LARGE FORMAT PRINTER**
- (71) Applicant: **Hewlett-Packard Development Company, L.P.**, Spring, TX (US)
- (72) Inventors: **Javier Alfonso Cesar**, Sant Cugat del Vallès (ES); **Ferran Rafat Esquiús**, Sant Cugat del Vallès (ES)
- (73) Assignee: **HEWLETT-PACKARD DEVELOPMENT COMPANY, L.P.**, Spring, TX (US)
- (**) Term: **15 Years**
- (21) Appl. No.: **29/734,552**
- (22) Filed: **May 13, 2020**
- (51) **LOC (14) Cl.** **18-02**
- (52) **U.S. Cl.**
USPC **D18/53**
- (58) **Field of Classification Search**
USPC D6/700, 866.21, 406.5, 405.6, 694, 685, D6/641, 553; D19/66, 67, 68, 69; D11/164; D8/367, 382; D18/50, 53, 54, D18/55, 56, 57, 58, 59, 34.7, 34.3, 34.1, D18/4.1
CPC G06F 3/02; H04N 1/00278; B32B 27/08; G11B 23/40
See application file for complete search history.

- 6,315,474 B1 * 11/2001 Giles B41J 11/001 346/24
 - 6,338,553 B1 * 1/2002 Lewis B41J 11/001 347/85
 - D458,963 S * 6/2002 Caamano D18/53
 - D544,533 S * 6/2007 Moliner D18/53
 - D561,823 S * 2/2008 Morillo D18/53
- (Continued)

FOREIGN PATENT DOCUMENTS

CN 3149601 * 5/2000

OTHER PUBLICATIONS

HP DesignJet T730 Large Format Printer, Amazon.com, Date published Nov. 18, 2015, date retrieved from internet Mar. 9, 2020—<https://amzn.to/3MBeCm1> (Year: 2015).*

Primary Examiner — Jennifer L Rempfer
Assistant Examiner — Danielle Nichole Bowly

(57) **CLAIM**

The ornamental design for a large format printer, as shown and described.

DESCRIPTION

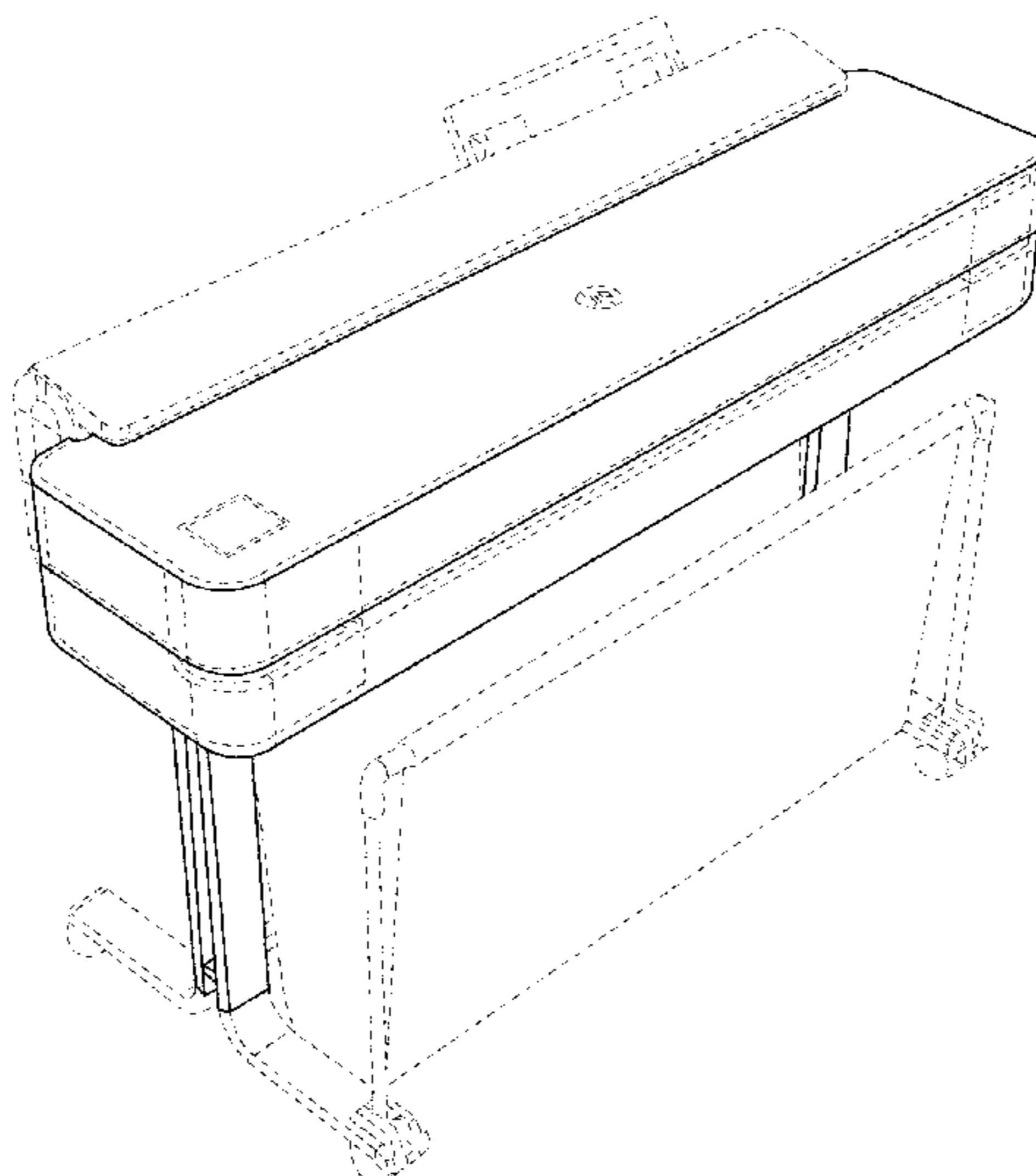
FIG. 1 is a left, front perspective view of a large format printer. The dotted lines represent a netting at the front of the printer. The netting does not form part of the claimed design. FIG. 2 is a right, front perspective view of the printer of FIG. 1. FIG. 3 is a front view of the printer of FIG. 1. FIG. 4 is a left side view of the printer of FIG. 1. FIG. 5 is a right side view of the printer of FIG. 1; and, FIG. 6 is a top side view of the printer of FIG. 1. The rear view and bottom view of the printer of FIG. 1 do not form part of the claimed design. The broken lines of the large format printer form no part of the claimed design.

1 Claim, 6 Drawing Sheets

(56) **References Cited**

U.S. PATENT DOCUMENTS

- D347,239 S * 5/1994 Okamoto 347/108
- D400,917 S * 11/1998 Kajikawa D18/53
- D407,740 S * 4/1999 Ina D18/53
- D408,848 S * 4/1999 Flores D18/53
- 6,203,152 B1 * 3/2001 Boleda B41J 29/377 347/18
- 6,206,512 B1 * 3/2001 Gasso B41J 2/17509 347/85
- 6,247,802 B1 * 6/2001 Gasso B41J 2/175 347/85



(56)

References Cited

U.S. PATENT DOCUMENTS

D597,131 S *	7/2009	Yamano	D18/53
D747,766 S *	1/2016	Cesar	D18/53
D810,819 S *	2/2018	Cesar	D18/53
D812,136 S *	3/2018	Cesar	D18/53
D894,271 S *	8/2020	Nakamura	D18/53
D895,004 S *	9/2020	Nakamura	D18/53
D944,889 S *	3/2022	Cesar	D18/53
2018/0345696 A1 *	12/2018	Kodaira	B41J 2/0457

* cited by examiner

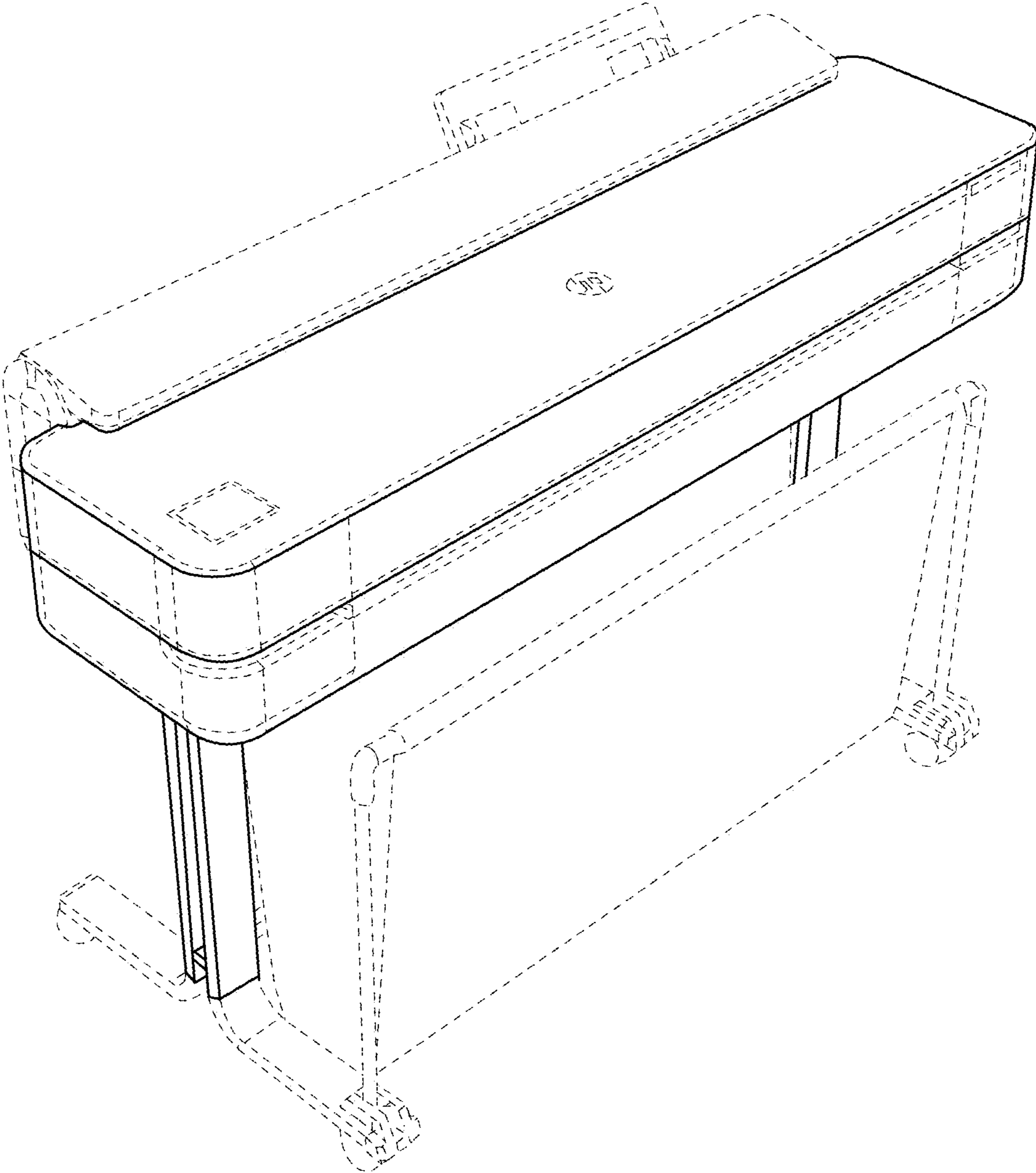


FIG. 1

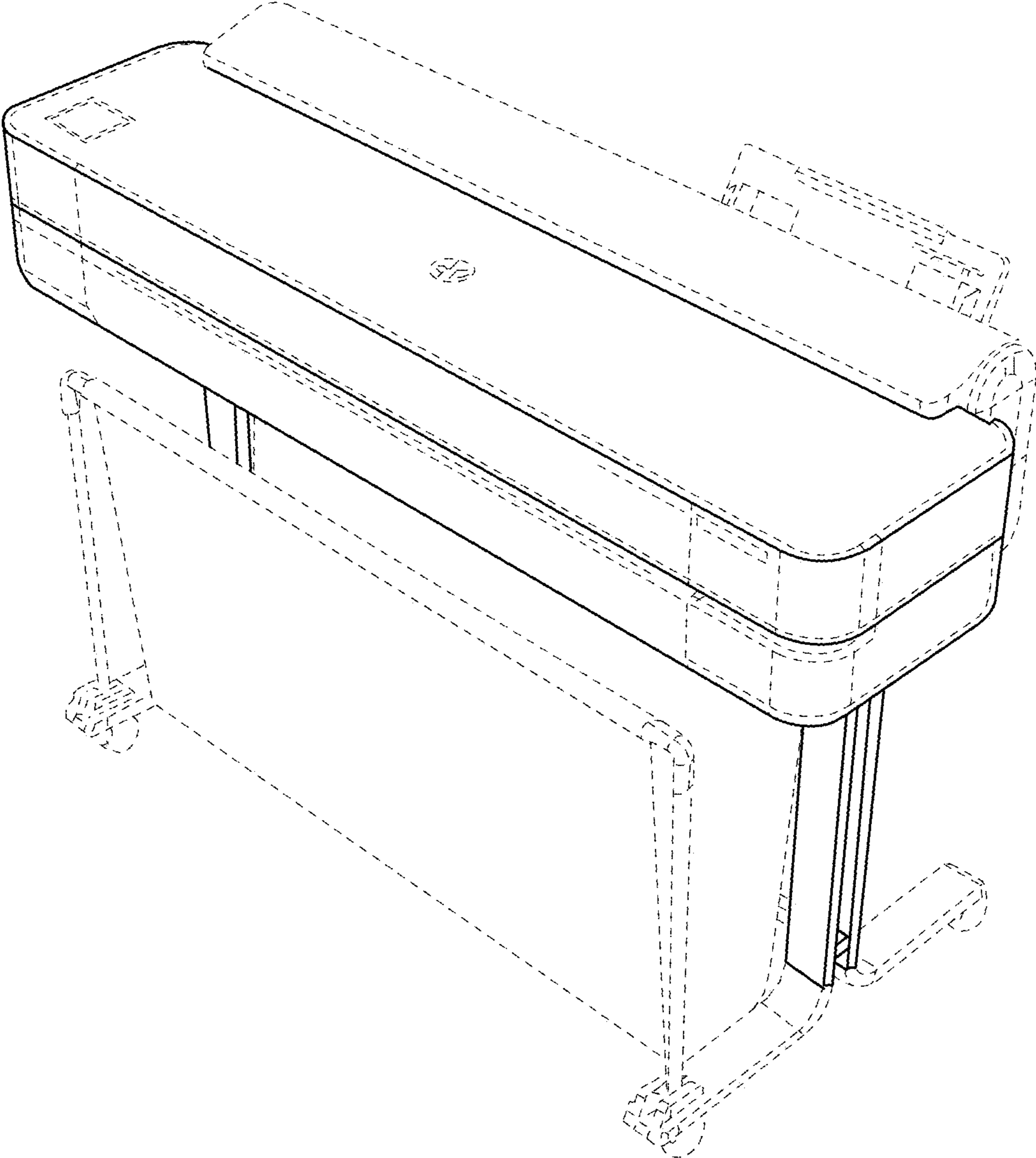


FIG. 2

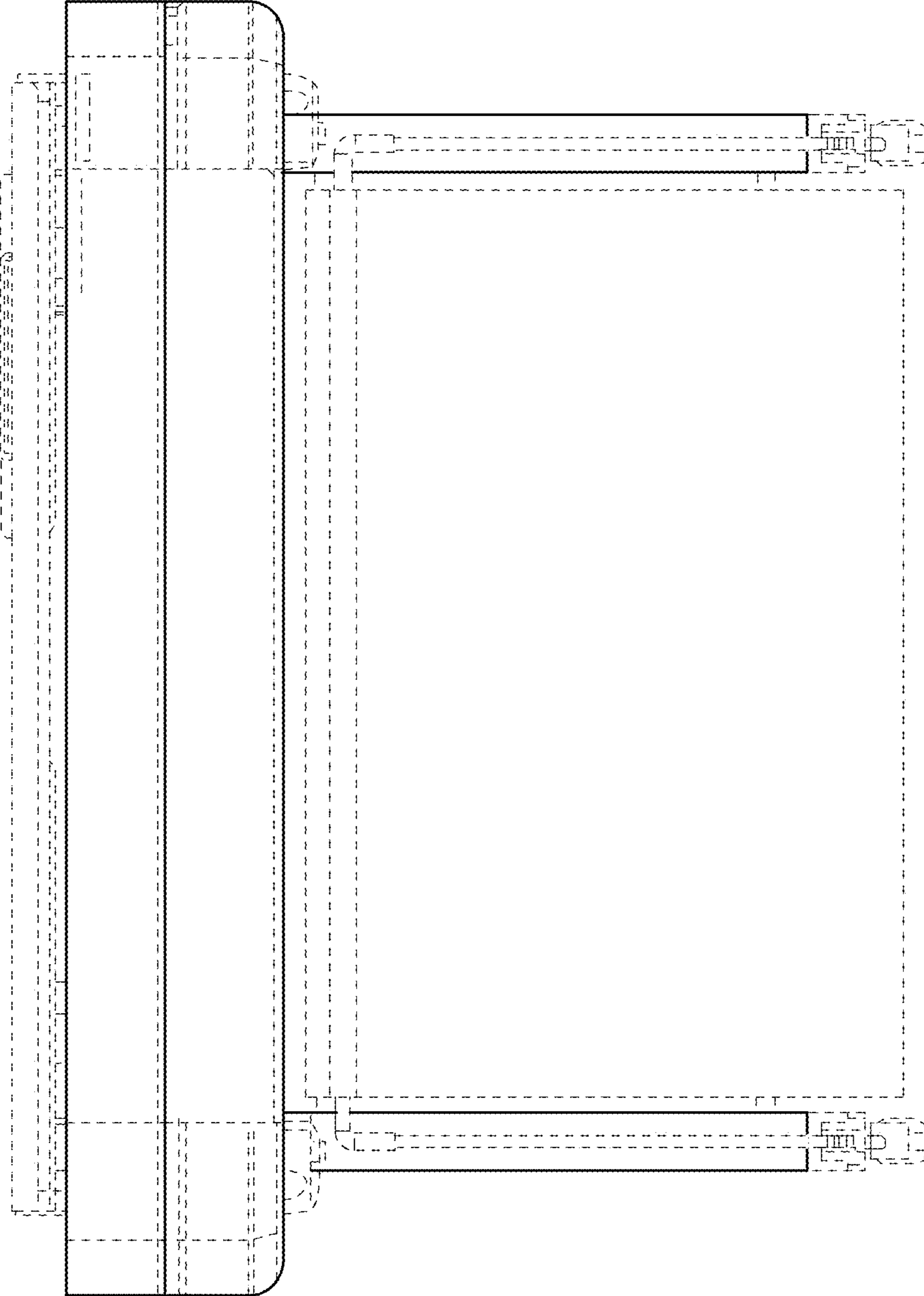


FIG. 3

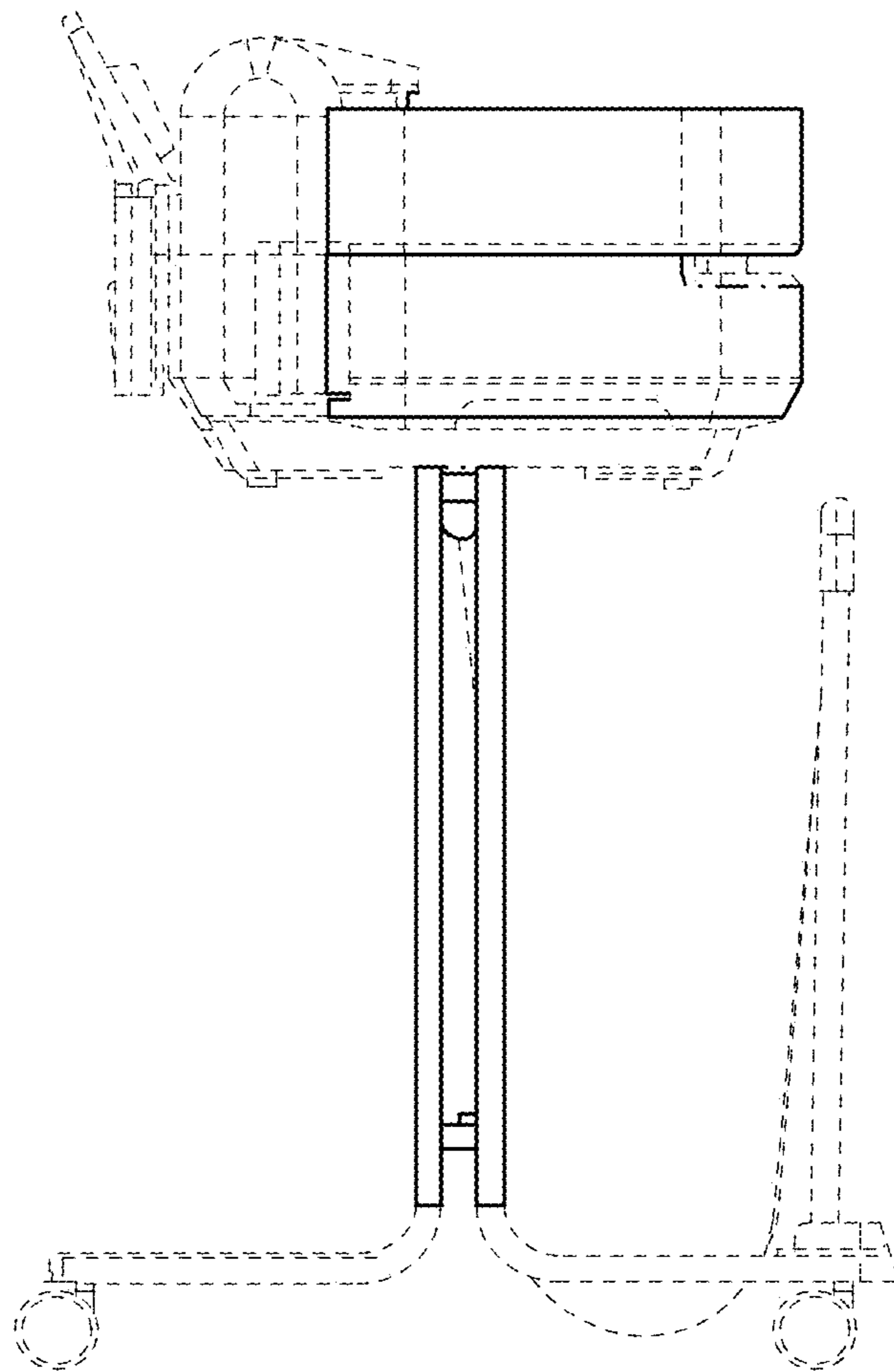


FIG. 4

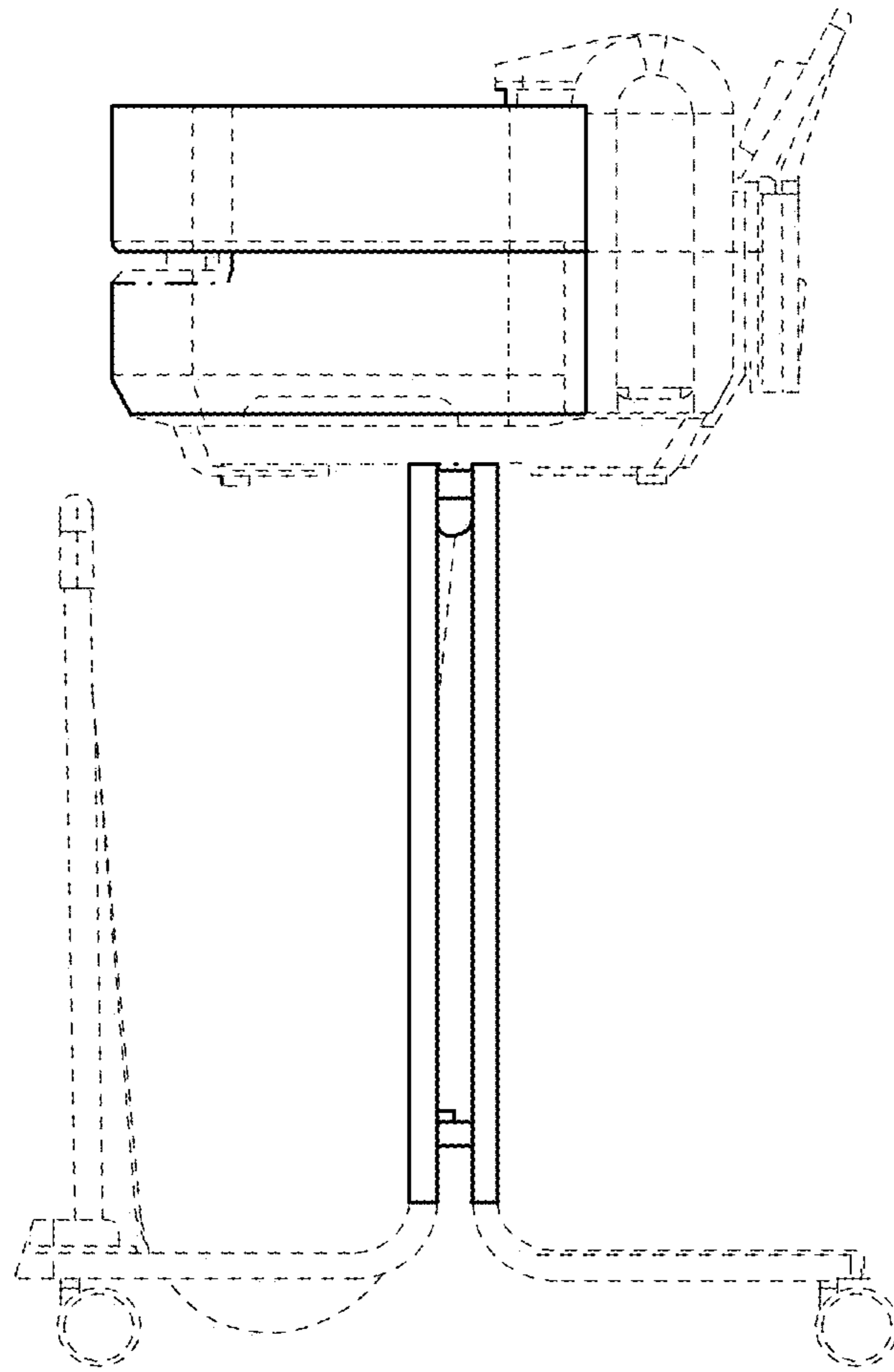


FIG. 5

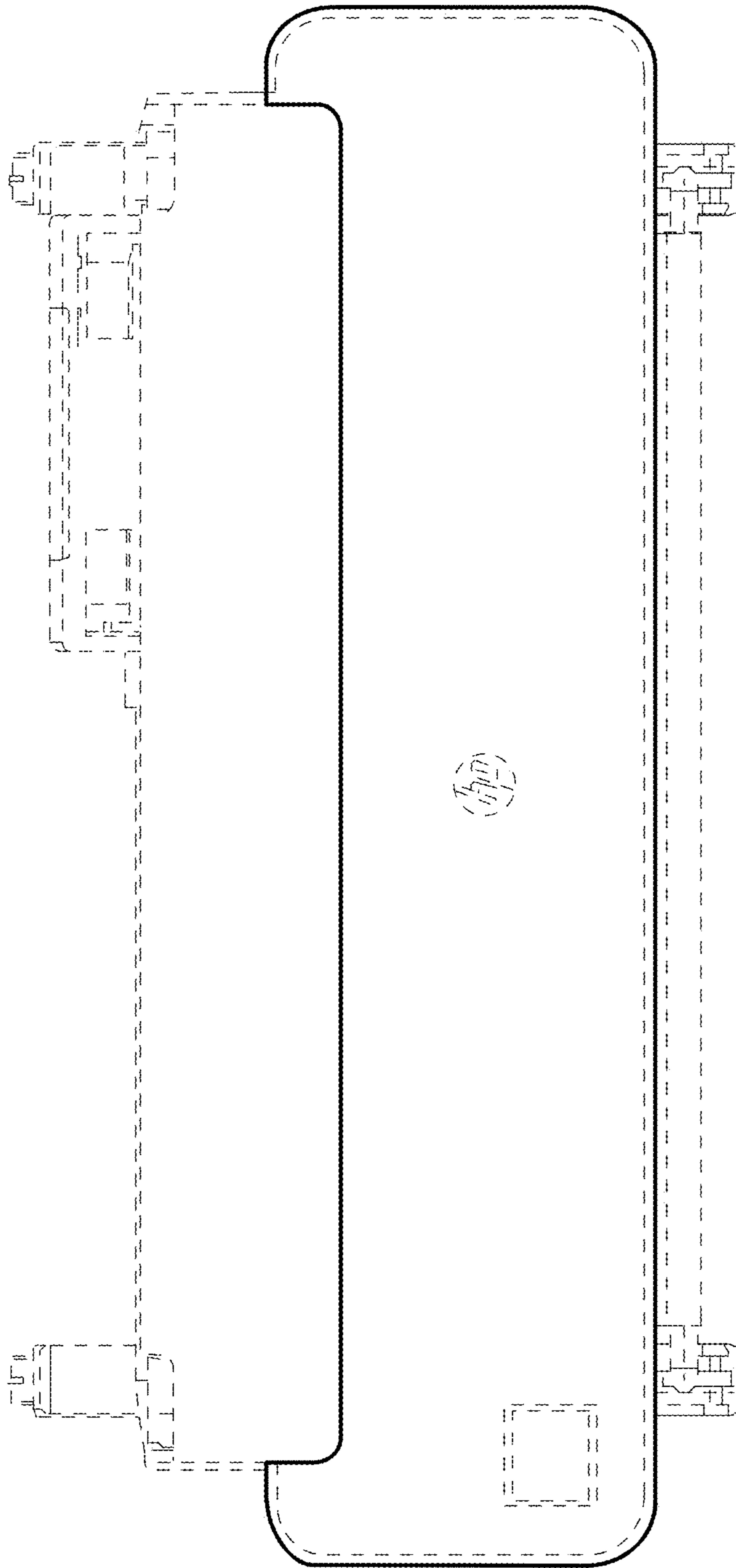


FIG. 6