



US00D986961S

(12) **United States Design Patent** (10) **Patent No.:** **US D986,961 S**
Lu (45) **Date of Patent:** **** May 23, 2023**

(54) **LABEL PRINTER**

(71) Applicant: **Zijun Lu**, Fujian (CN)

(72) Inventor: **Zijun Lu**, Fujian (CN)

(**) Term: **15 Years**

(21) Appl. No.: **29/862,215**

(22) Filed: **Dec. 7, 2022**

(51) **LOC (14) Cl.** **18-99**

(52) **U.S. Cl.**
USPC **D18/19**

(58) **Field of Classification Search**
USPC D18/19, 34.9, 34.3, 46, 50, 53, 54, 55,
D18/56, 59; D15/123, 122, 135, 138;
D14/356, 420, 422, 453
CPC B26D 1/065; B26D 1/045
See application file for complete search history.

(56) **References Cited**

U.S. PATENT DOCUMENTS

D414,505 S *	9/1999	Yatabe	D16/208
D511,343 S *	11/2005	Solomon	D14/356
D526,348 S *	8/2006	Tanaka	D18/14
D541,273 S *	4/2007	Wang	D14/356
D556,253 S *	11/2007	Hong	D18/50
D558,820 S *	1/2008	Hong	D18/50
D568,312 S *	5/2008	Wang	D14/356
D721,704 S *	1/2015	Carreon	D14/425
D732,108 S *	6/2015	Ryu	D18/14
D751,635 S *	3/2016	Jung	D18/50
D760,835 S *	7/2016	Takahashi	D18/19
D766,359 S *	9/2016	Takahashi	D18/50
D781,955 S *	3/2017	Kim	D18/50
D790,006 S *	6/2017	Yoshida	D18/14
D800,210 S *	10/2017	Kamei	D18/14

D829,277 S *	9/2018	Seki	D18/50
D831,657 S *	10/2018	Shim	D14/363
D908,704 S *	1/2021	Long	D14/420
D940,083 S *	1/2022	Bi	D14/218
D940,667 S *	1/2022	Bi	D14/218
D956,861 S	7/2022	Chen		

OTHER PUBLICATIONS

Jadens Label Maker,Amazon.com,date published May 10, 2022—
date retrieved Feb. 3, 2023—U.S. Appl. No. 29/862,215—https://
amzn.to/3DEk9D (Year: 2022).*

Deepin Label Maker,Amazon.com,date published Apr. 13, 2022—
date retrieved Feb. 3, 2023—U.S. Appl. No. 29/862,215—https://
amzn.to/3wPmERH (Year: 2022).*

* cited by examiner

Primary Examiner — Nicole C Shiflet

Assistant Examiner — Danielle Nichole Bowly

(57) **CLAIM**

The ornamental design for a label printer, as shown and
described.

DESCRIPTION

FIG. 1 is a front and top perspective view of a label printer,
showing my new design;

FIG. 2 is a rear and bottom perspective view thereof;

FIG. 3 is a front elevation view thereof;

FIG. 4 is a rear elevation view thereof;

FIG. 5 is a left side elevation view thereof;

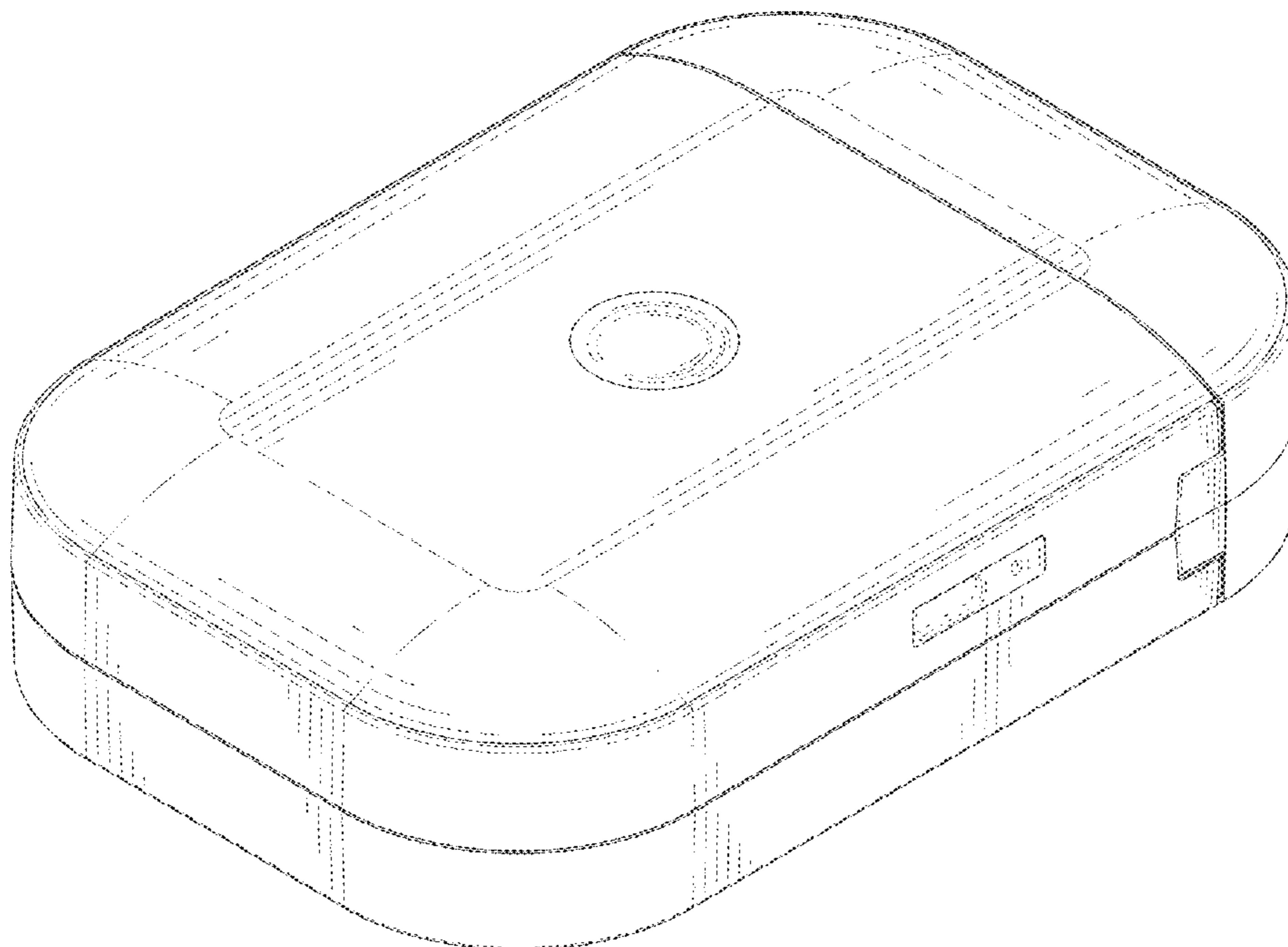
FIG. 6 is a right side elevation view thereof;

FIG. 7 is a top plan view thereof; and,

FIG. 8 is a bottom plan view thereof.

The broken lines in the figures illustrate portions of the label
printer that form no part, of the claimed design.

1 Claim, 8 Drawing Sheets



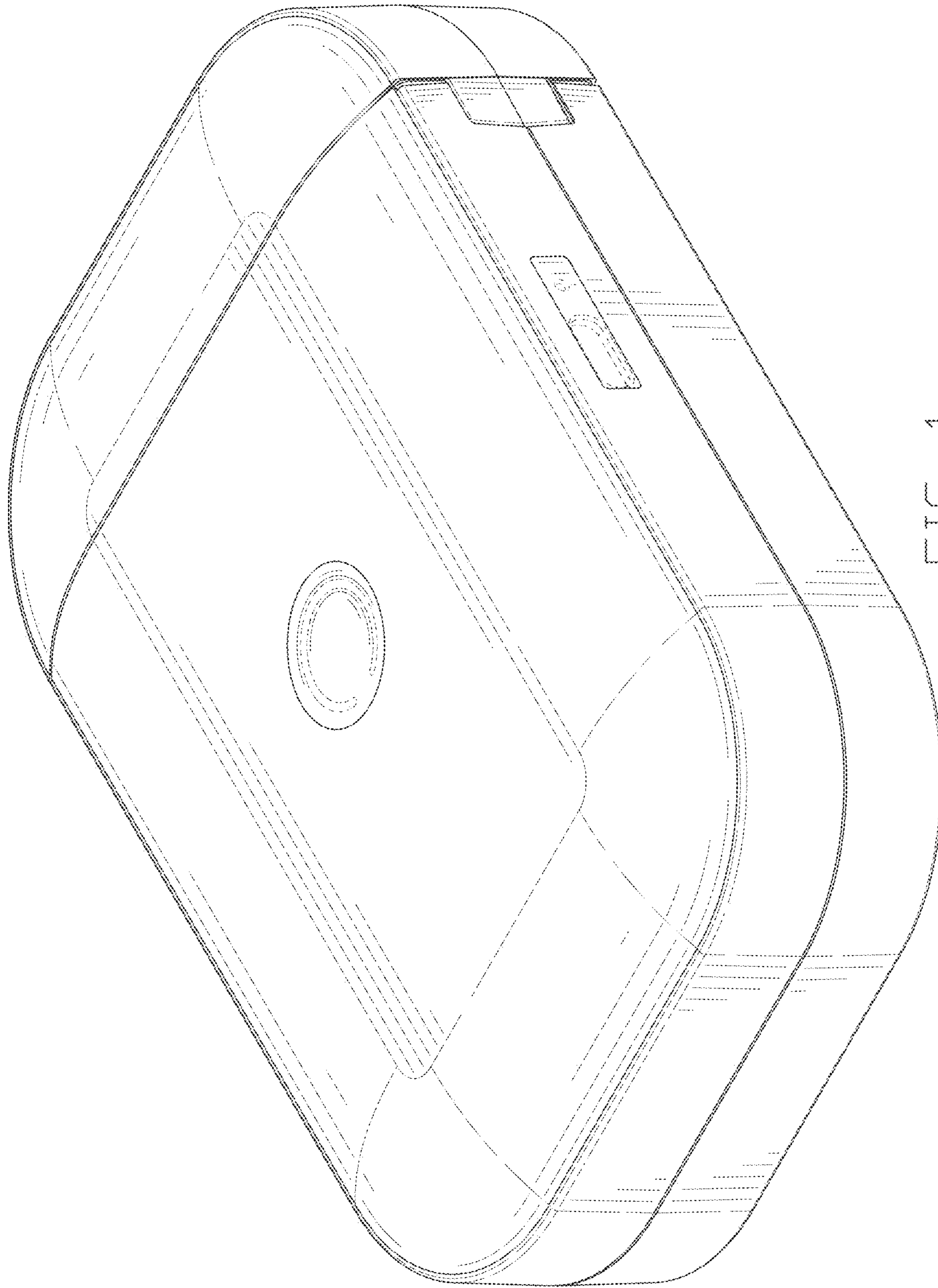


FIG. 1

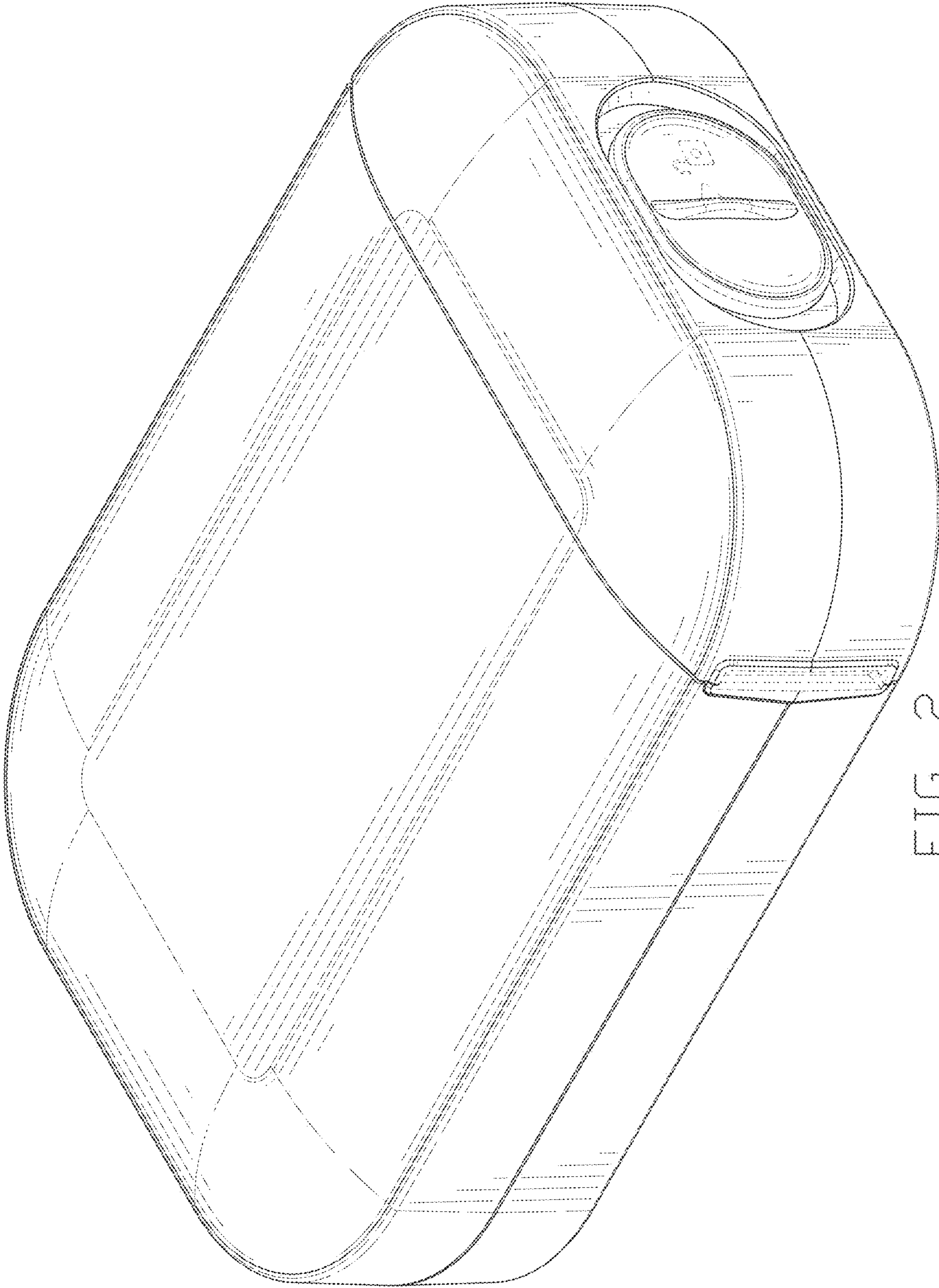


FIG. 2

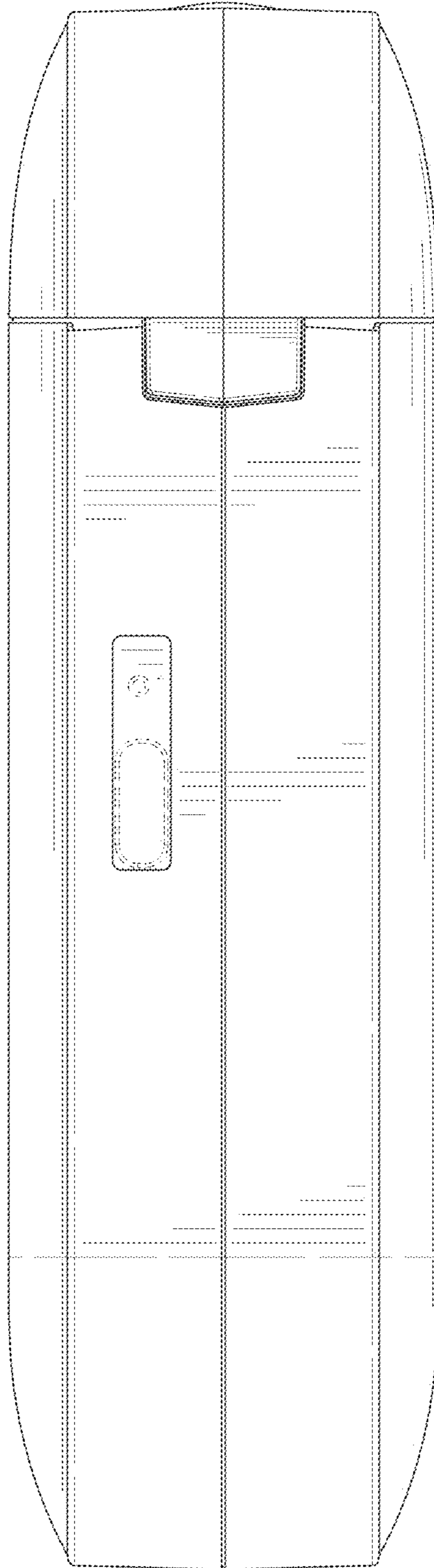


FIG. 3

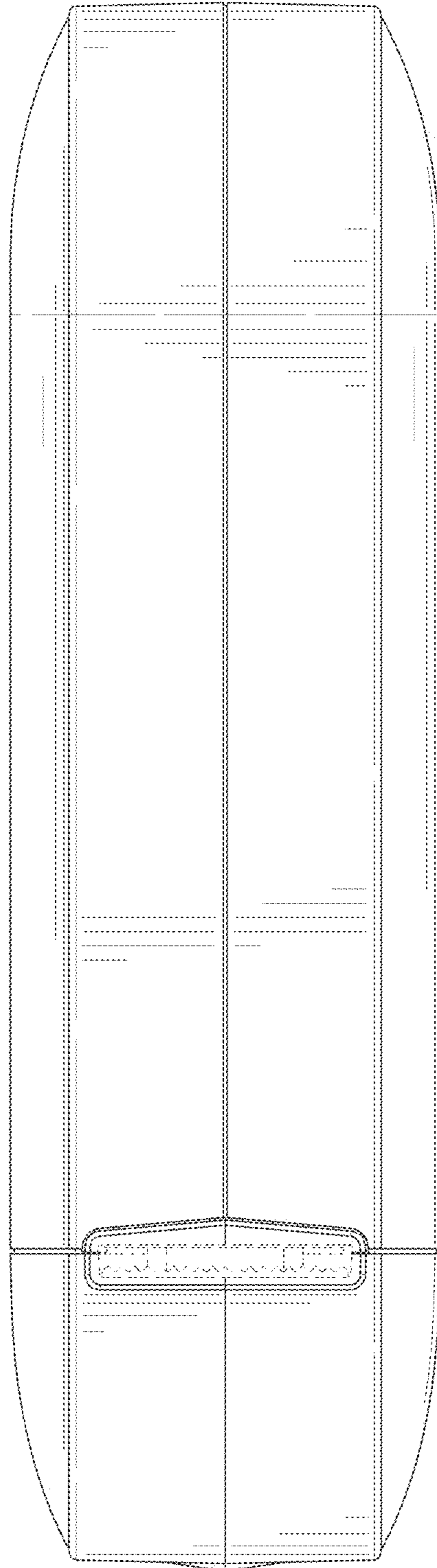


FIG. 4

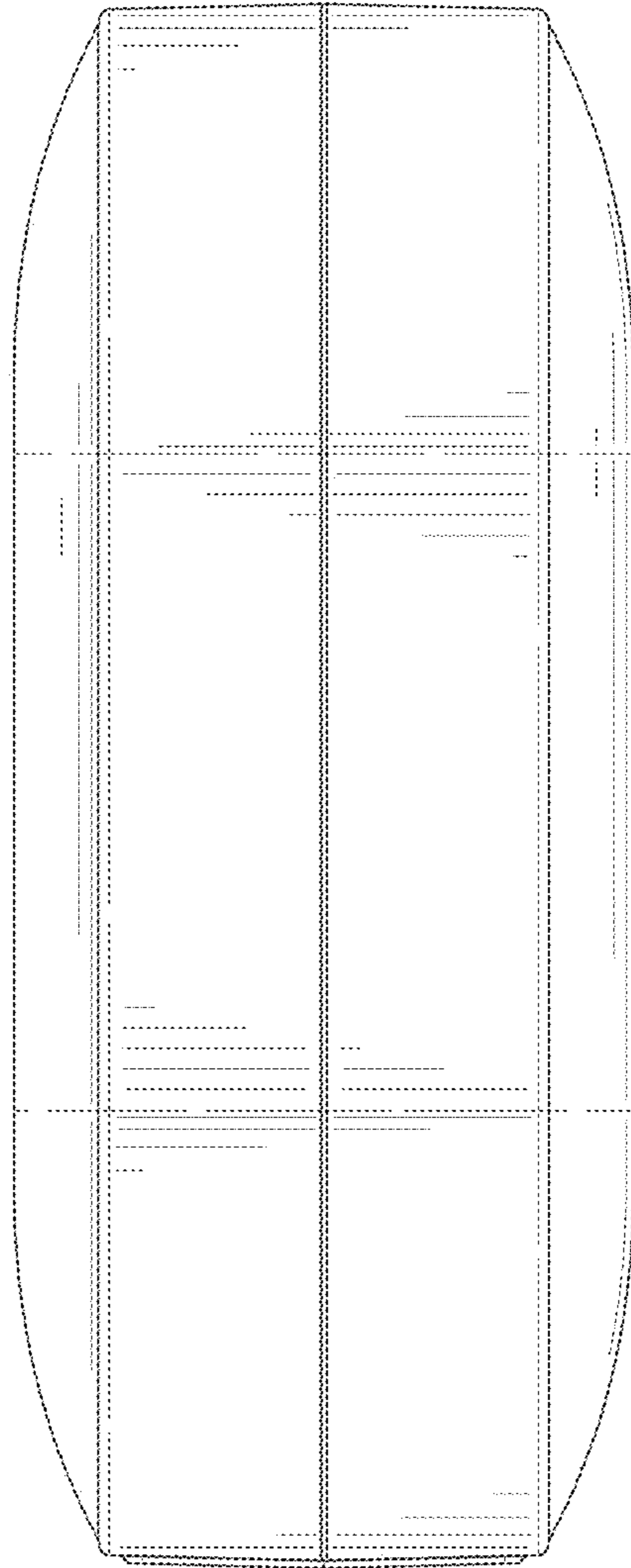


FIG. 5

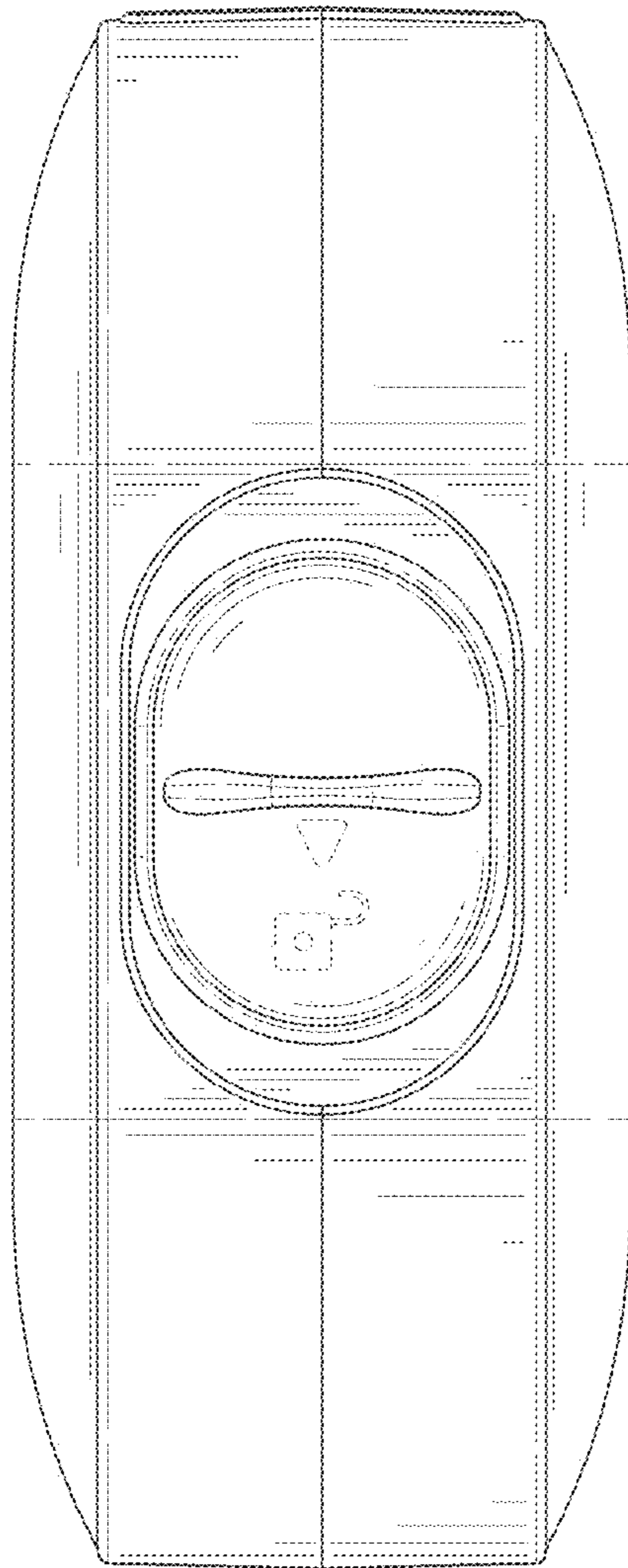


FIG. 6

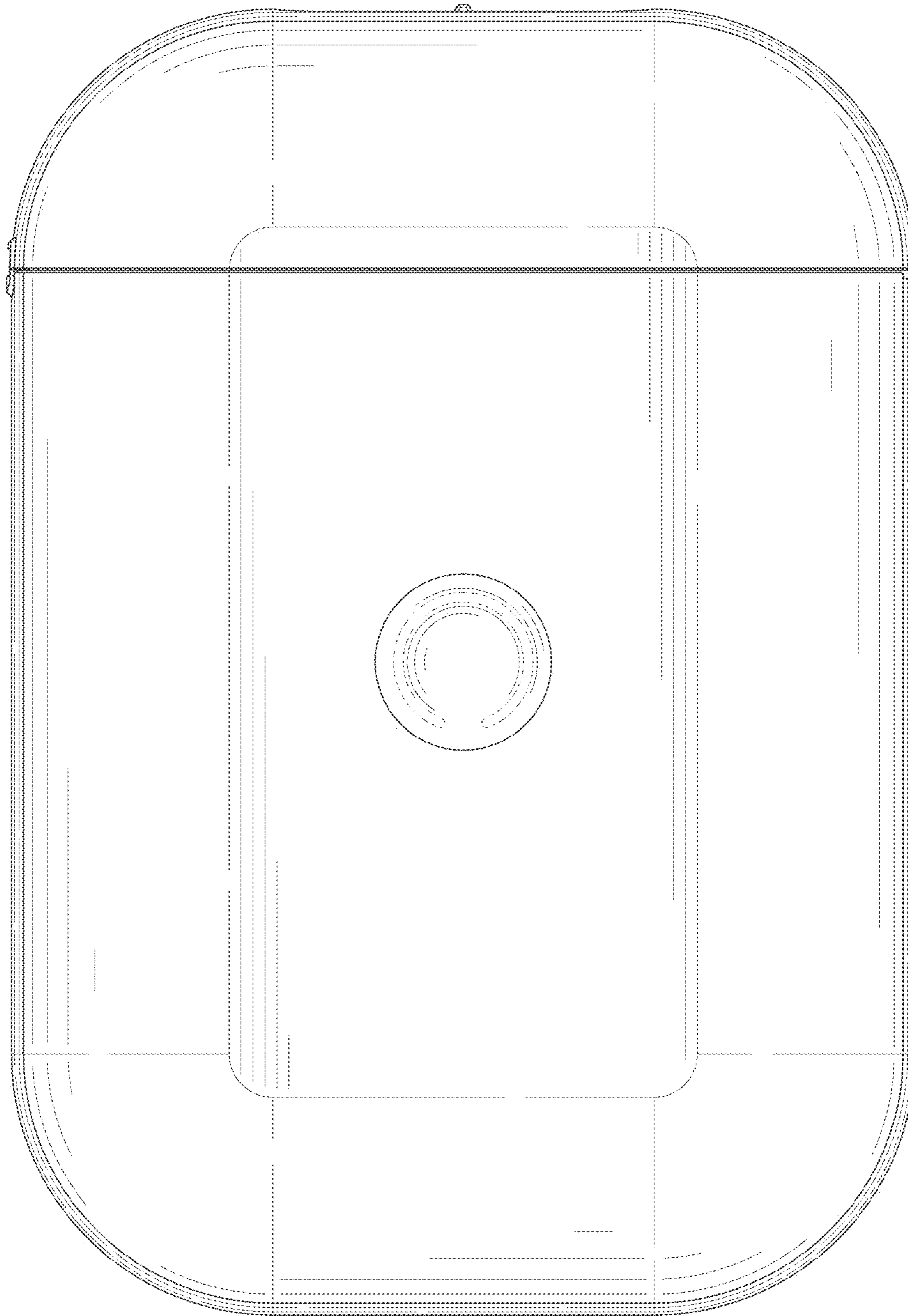


FIG. 7

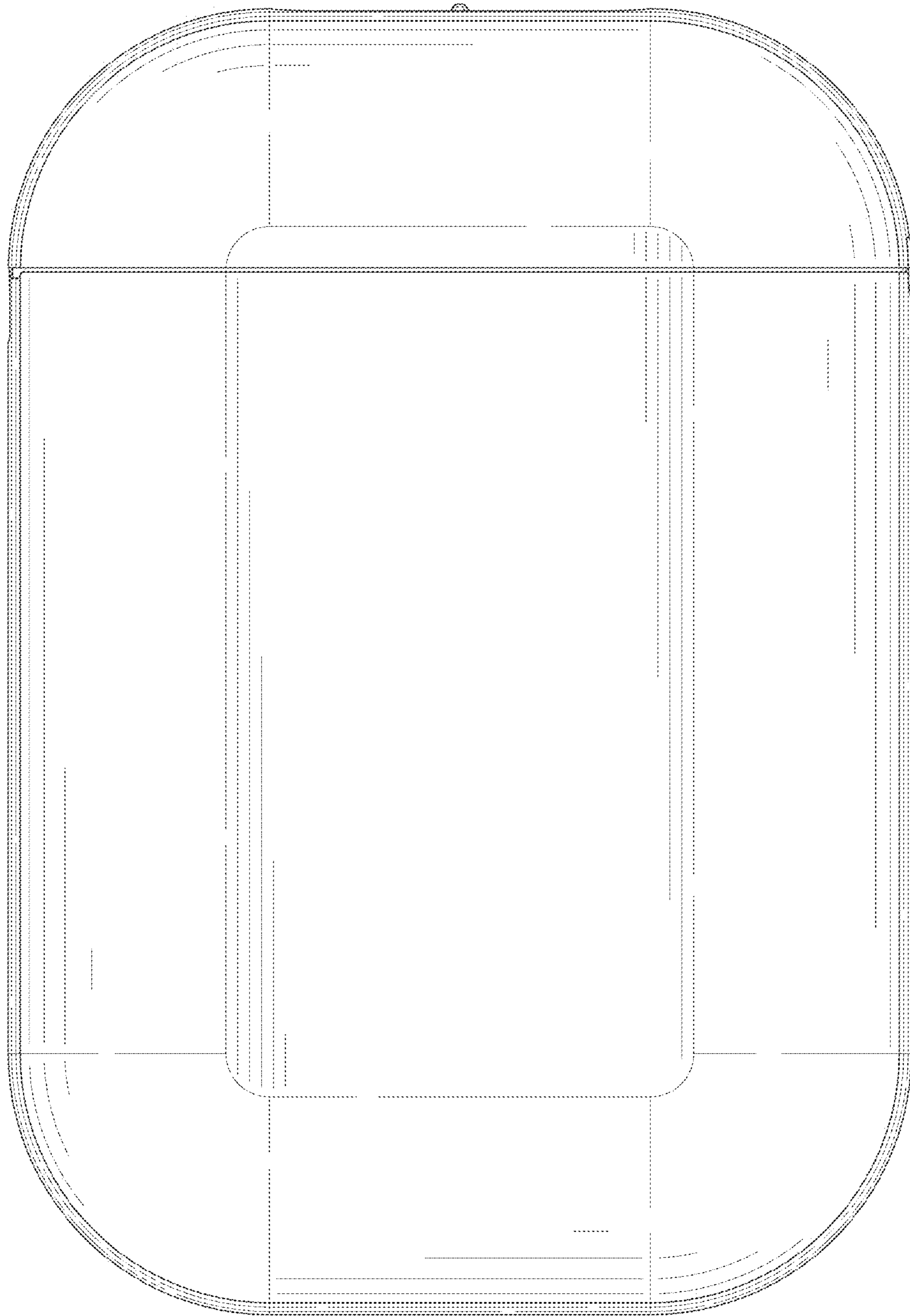


FIG. 8