



US00D986959S

(12) **United States Design Patent** (10) **Patent No.:** **US D986,959 S**  
**Xu** (45) **Date of Patent:** **\*\* May 23, 2023**

(54) **LABEL PRINTER**

FOREIGN PATENT DOCUMENTS

(71) Applicant: **Xiamen iPrt Technology Co., Ltd.**,  
Fujian (CN)

CN 304072942 \* 3/2017  
CN 306941926 \* 11/2021

(Continued)

(72) Inventor: **Shuangquan Xu**, Fujian (CN)

OTHER PUBLICATIONS

(73) Assignee: **Xiamen iPrt Technology Co., Ltd.**,  
Fujian (CN)

Amazon. Link: <https://www.amazon.com/dp/B0BCK4XYHH/>. Aug. 30, 2022. vretti Thermal Label Printer. (Year: 2022).\*

(\*\*) Term: **15 Years**

(Continued)

(21) Appl. No.: **29/802,391**

*Primary Examiner* — Lauren D McVey

(22) Filed: **Aug. 4, 2021**

(74) *Attorney, Agent, or Firm* — ScienBiziP, P.C.

(51) **LOC (14) Cl.** ..... **18-99**

(52) **U.S. Cl.**

USPC ..... **D18/19**

(58) **Field of Classification Search**

USPC ..... D18/12, 14-19, 36-41, 45, 50, 53-56;  
D19/65, 66, 67, 68, 69, 70, 71; D14/301,  
D14/307, 121

CPC ..... H04N 1/00204; H04N 1/00249; H04N  
1/00278; G06K 15/12; G06K 15/14; B41J  
3/00; B41J 3/46; B41J 2/3358; B41J  
3/382; B41J 3/445; B41J 3/28; B41J  
11/0045; B41J 3/36

See application file for complete search history.

(57) **CLAIM**

The ornamental design for a label printer, as shown and described.

**DESCRIPTION**

FIG. 1 is a front, right, and top perspective view of a label printer, showing my design.  
FIG. 2 is a rear, left, and bottom perspective view thereof.  
FIG. 3 is a front elevation view thereof.  
FIG. 4 is a rear elevation view thereof.  
FIG. 5 is a left side elevation view thereof.  
FIG. 6 is a right side elevation view thereof.  
FIG. 7 is a top plan view thereof.  
FIG. 8 is a bottom plan view thereof; and,  
FIG. 9 is a partial enlarged view of the area labeled 9 in FIG. 1.

The evenly-spaced broken lines depict portions of the label printer that form no part of the claimed design. The dot-dash broken lines encircling portions of the claimed design in FIG. 1 that are illustrated in an enlargement in FIG. 9 form no part of the claimed design.

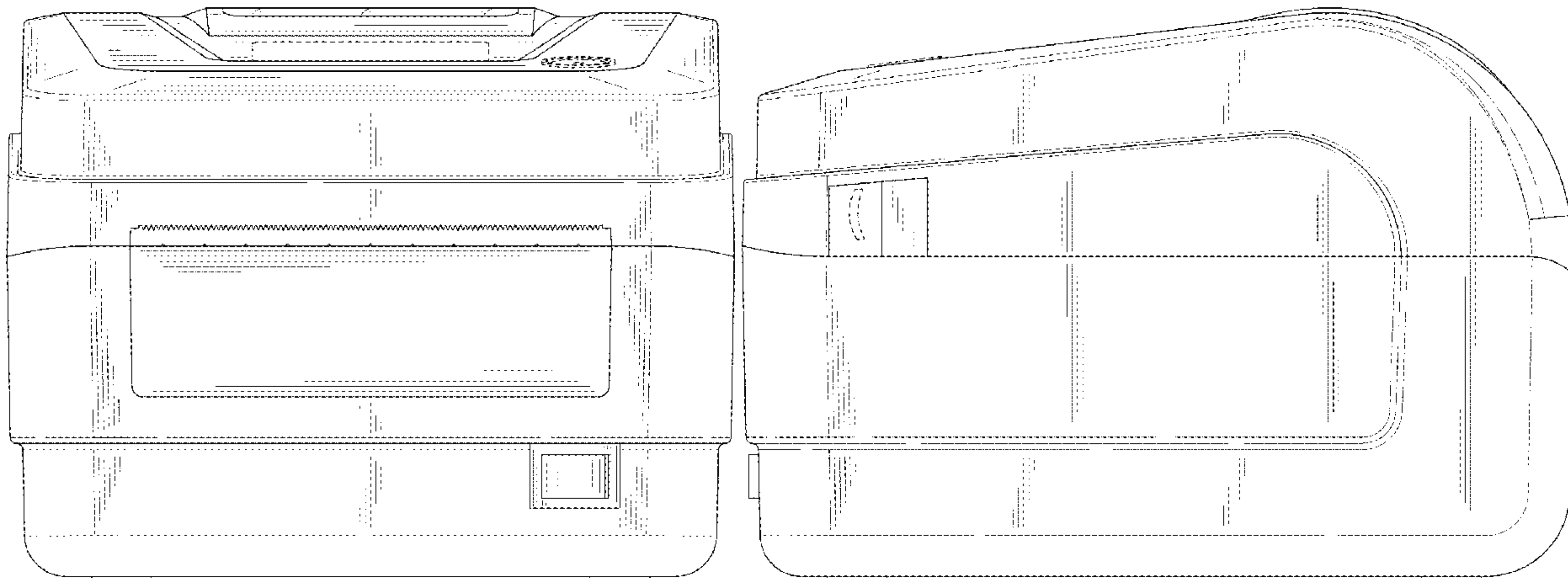
**1 Claim, 9 Drawing Sheets**

(56) **References Cited**

U.S. PATENT DOCUMENTS

D478,116 S \* 8/2003 Nakaeda ..... D18/19  
D536,370 S \* 2/2007 Smolenski ..... D18/50  
D765,166 S \* 8/2016 Takahashi ..... D18/50  
D771,182 S \* 11/2016 Takahashi ..... D18/50  
9,919,540 B1 \* 3/2018 Wong Mun Hon ... B65H 23/28  
D822,758 S \* 7/2018 Maeda ..... D18/19  
D857,092 S \* 8/2019 Michie ..... D18/50  
D861,065 S \* 9/2019 Chih ..... B41J 15/042  
D18/19  
D870,806 S \* 12/2019 Ozawa ..... B41J 15/042  
D18/50  
D876,533 S \* 2/2020 Nanno ..... D18/19

(Continued)



(56)

**References Cited**

U.S. PATENT DOCUMENTS

D893,589 S \* 8/2020 Michie ..... D18/19  
D900,211 S \* 10/2020 Wong Mun Hon ..... D18/19  
D900,213 S 10/2020 Ozawa et al.  
D907,697 S 1/2021 Tashima  
2012/0141184 A1\* 6/2012 Chen ..... F16D 13/58  
400/242

FOREIGN PATENT DOCUMENTS

CN 307301894 \* 4/2022  
CN 307326447 \* 5/2022  
CN 307486419 \* 8/2022  
CN 307615644 \* 10/2022

OTHER PUBLICATIONS

Amazon. Link: <https://www.amazon.com/dp/B0B1QH8TDC/>. May 26, 2022. Memoqueen Thermal Shipping Label Printer. (Year: 2022).\*

Amazon. Link: <https://www.amazon.com/dp/B07R9LFP9M/>. Jan. 12, 2022. Munbyn POS Printer. (Year: 2022).\*

Amazon. Link: <https://www.amazon.com/ZEBRA-GX430t-Thermal-Transfer-Desktop/dp/B0BBF2Y6H3/>. Aug. 22, 2022. Zebra GX430t 300dpi Thermal Transfer Desktop Printer (Year: 2022).\*

\* cited by examiner

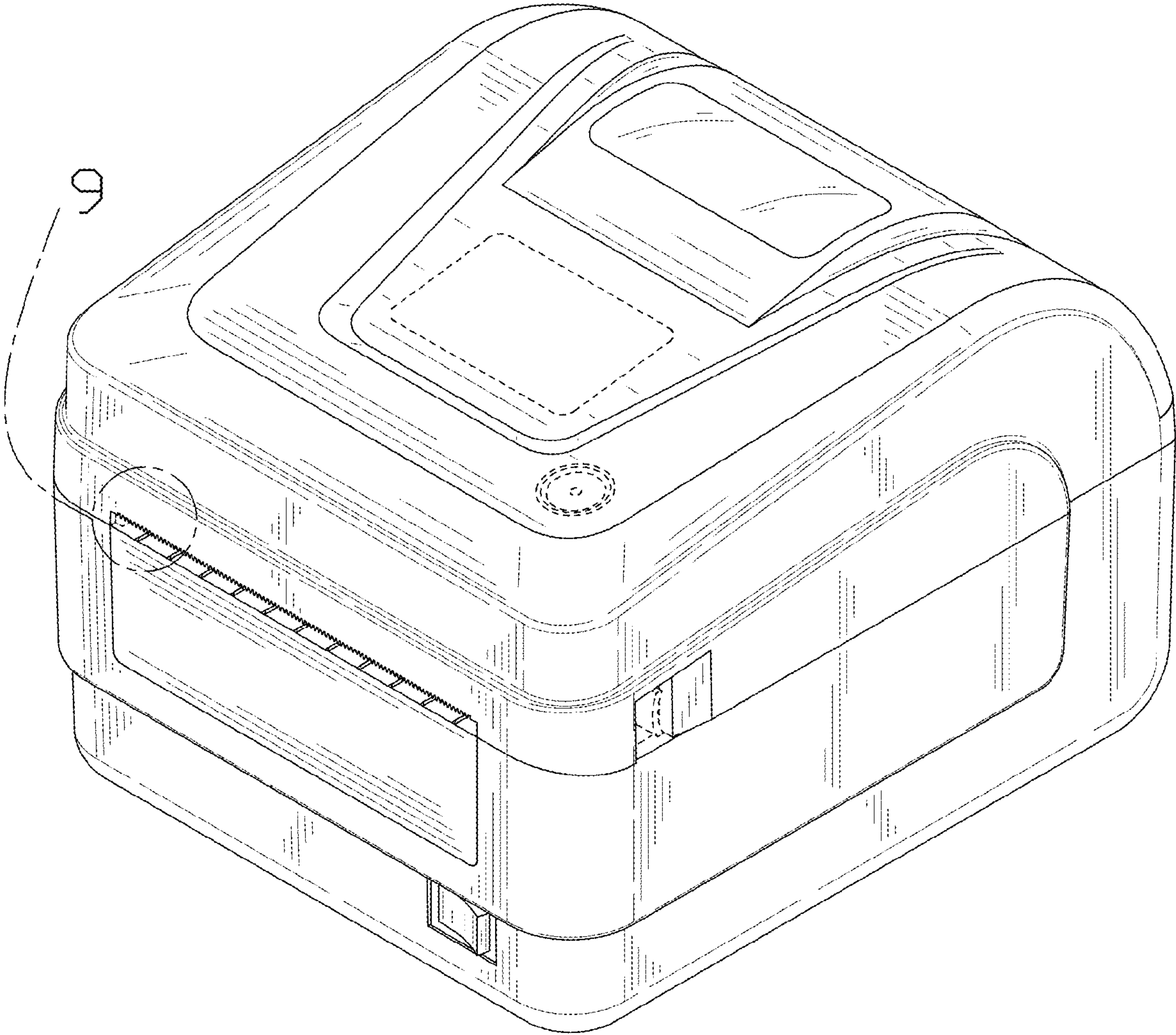


FIG. 1



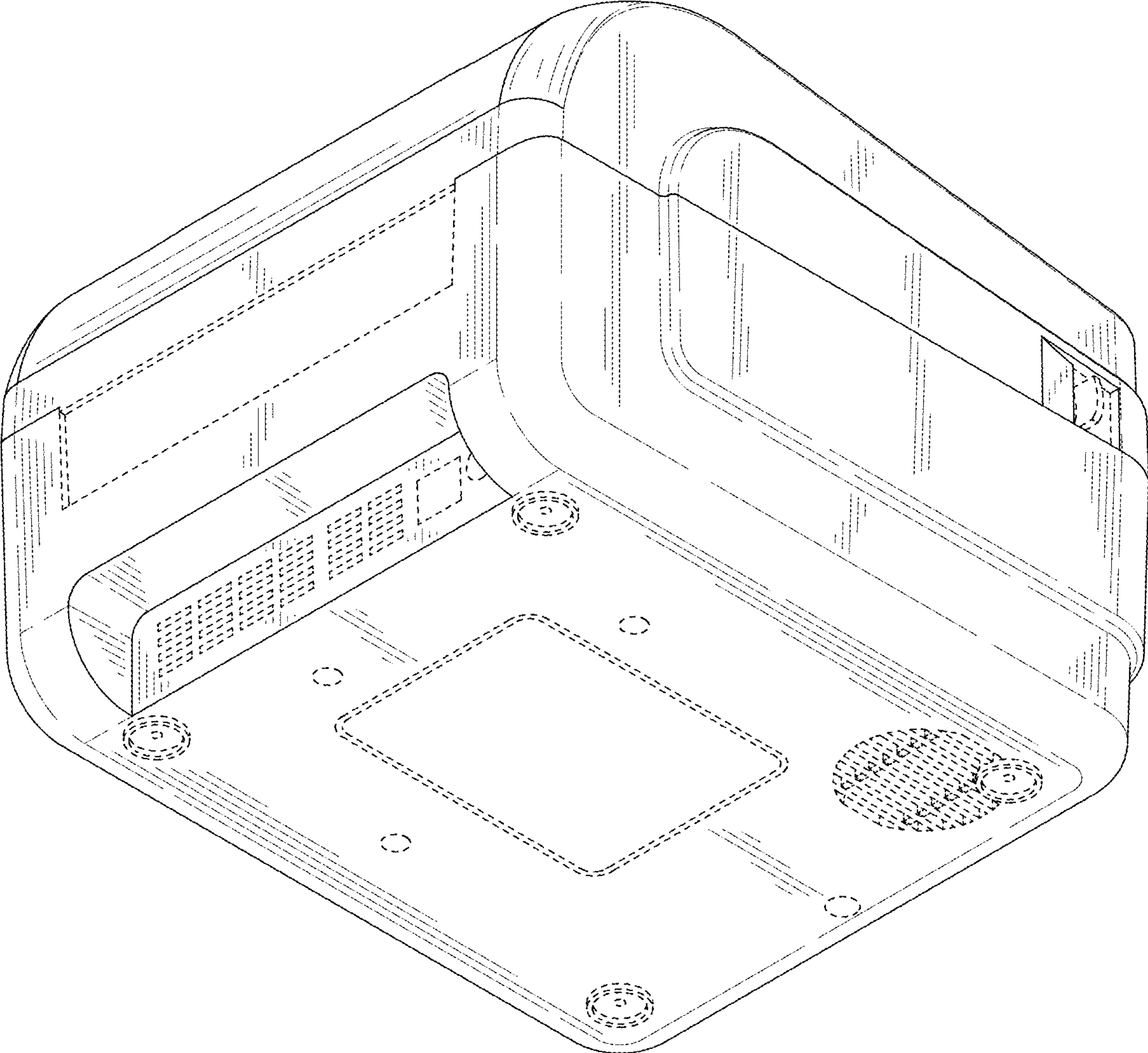


FIG. 2

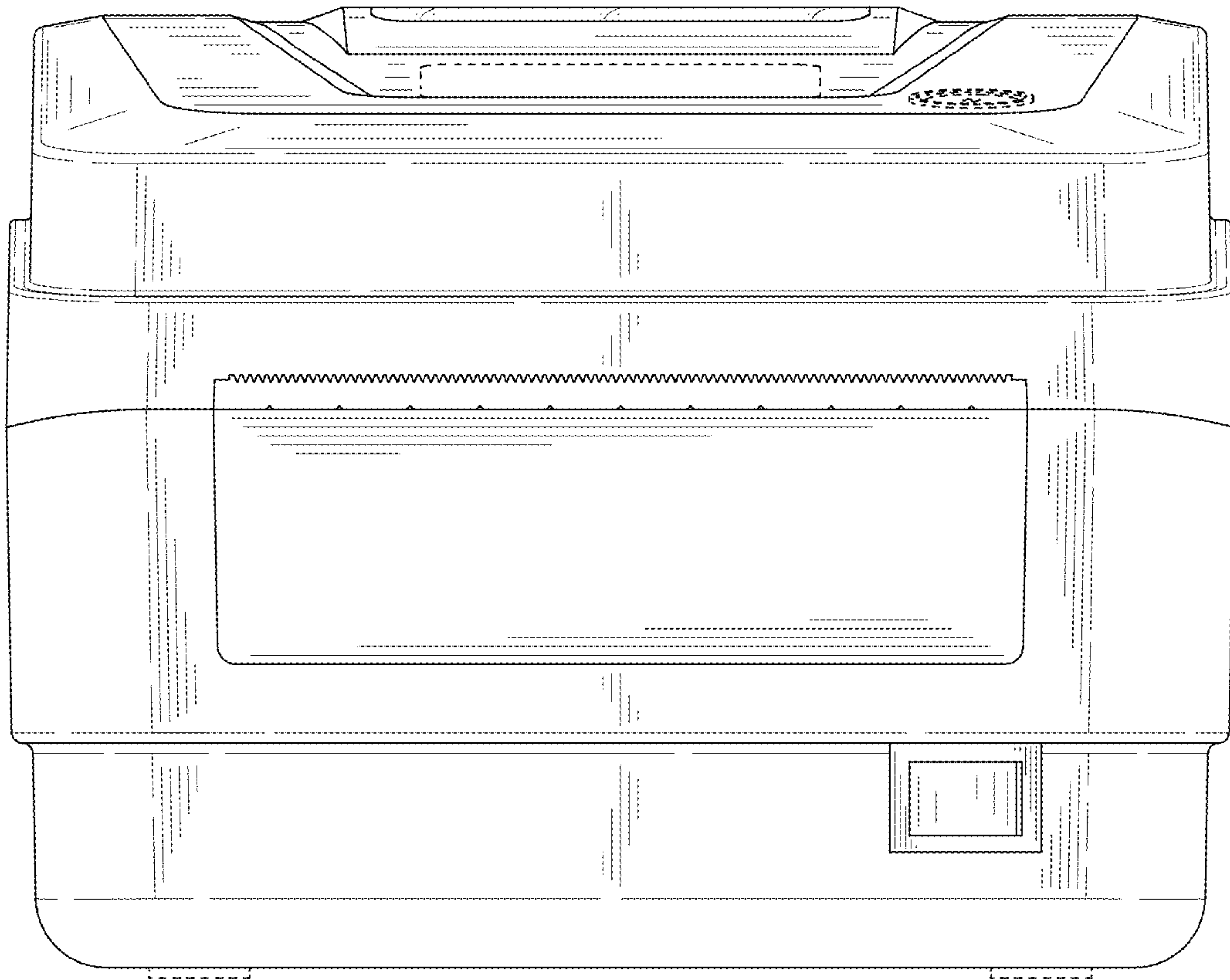


FIG. 3

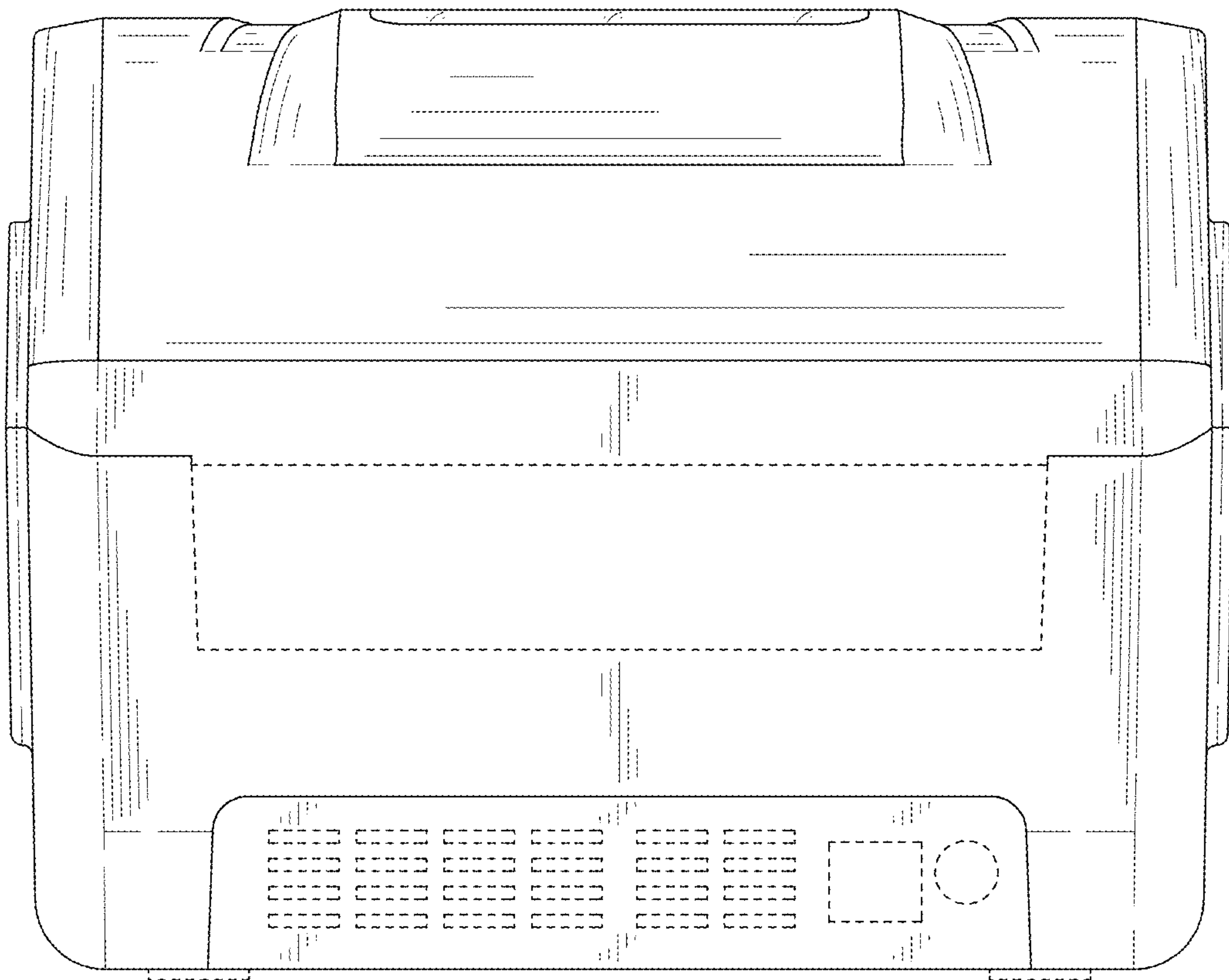


FIG. 4

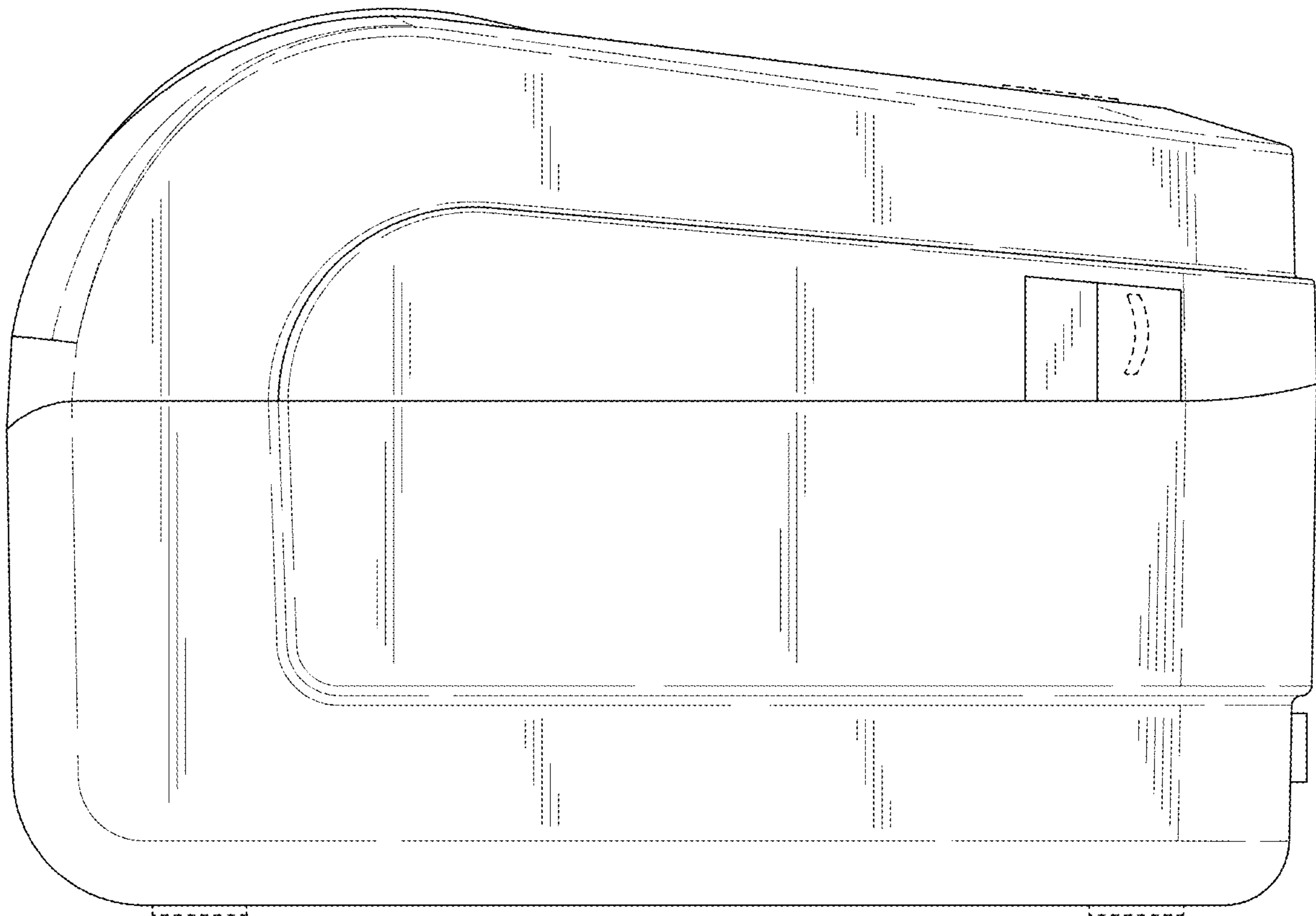


FIG. 5

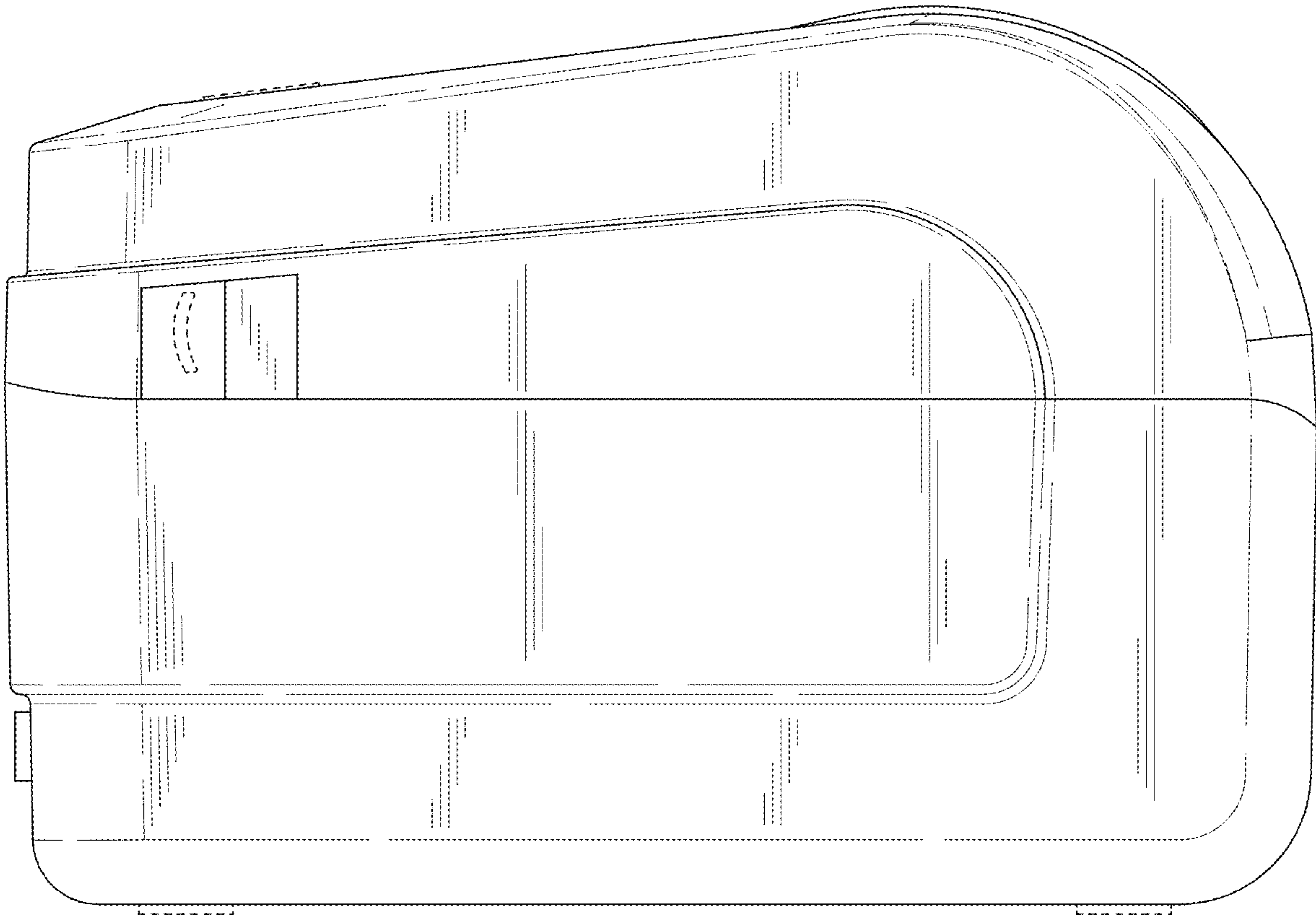


FIG. 6



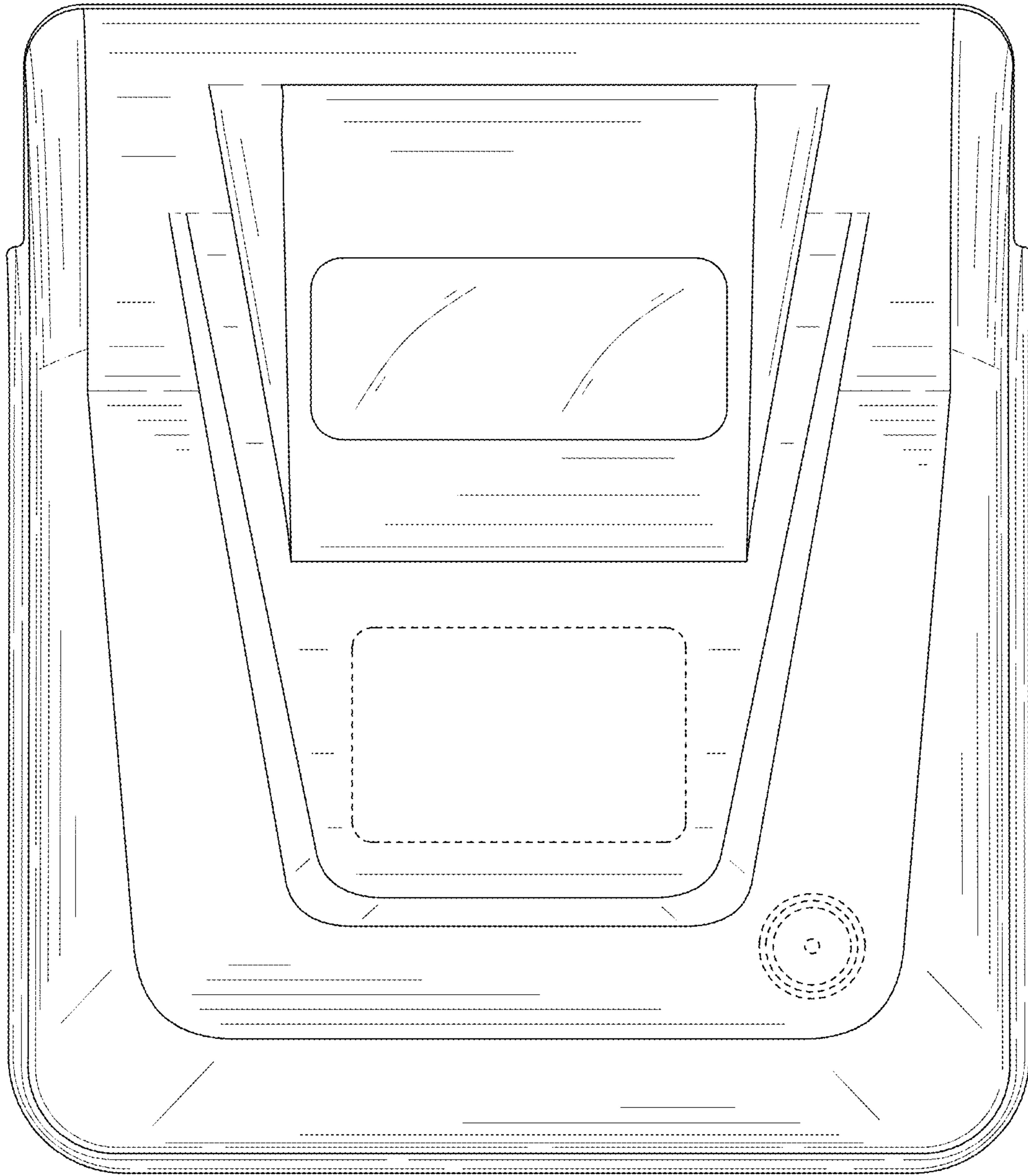


FIG. 7

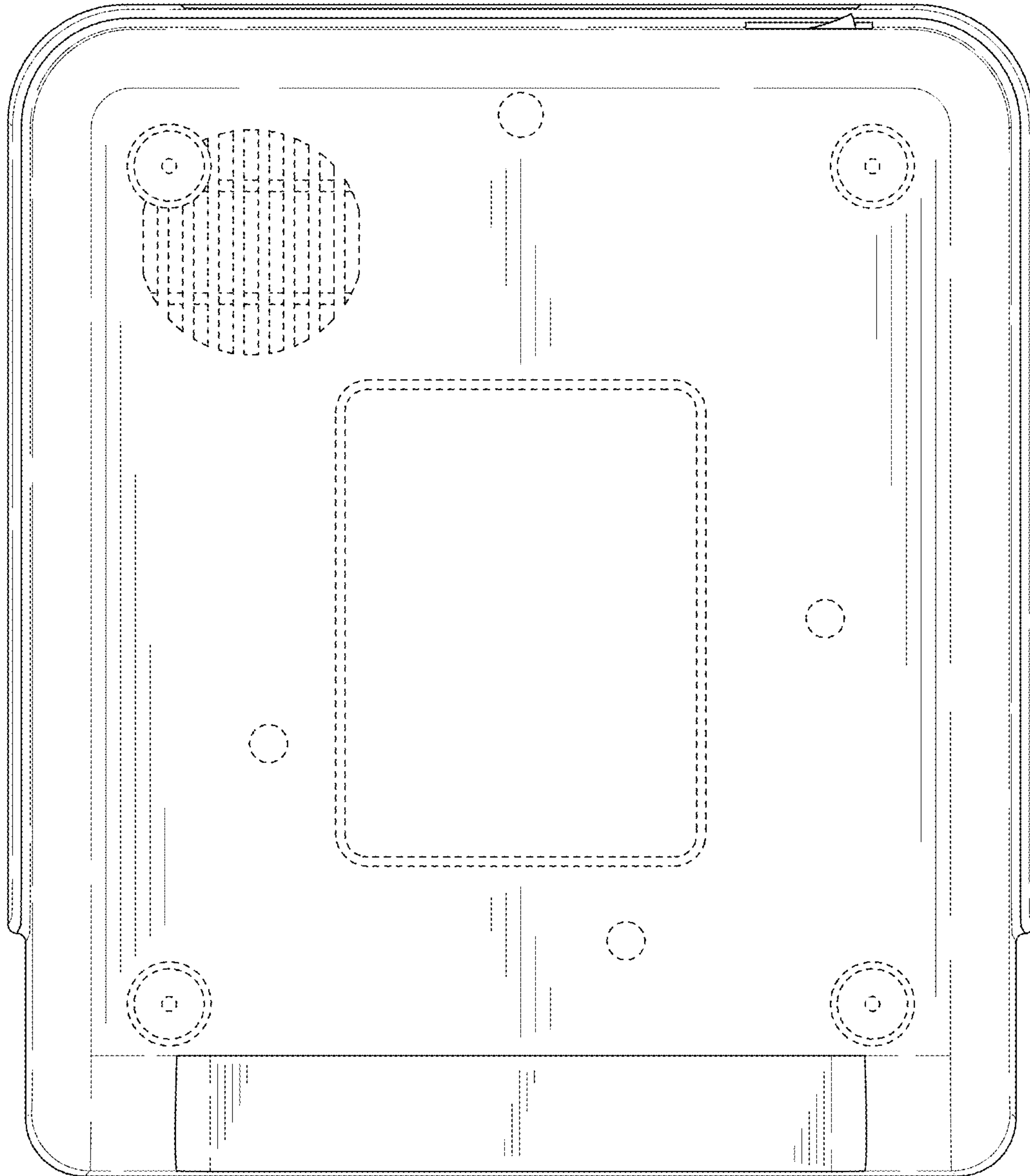


FIG. 8

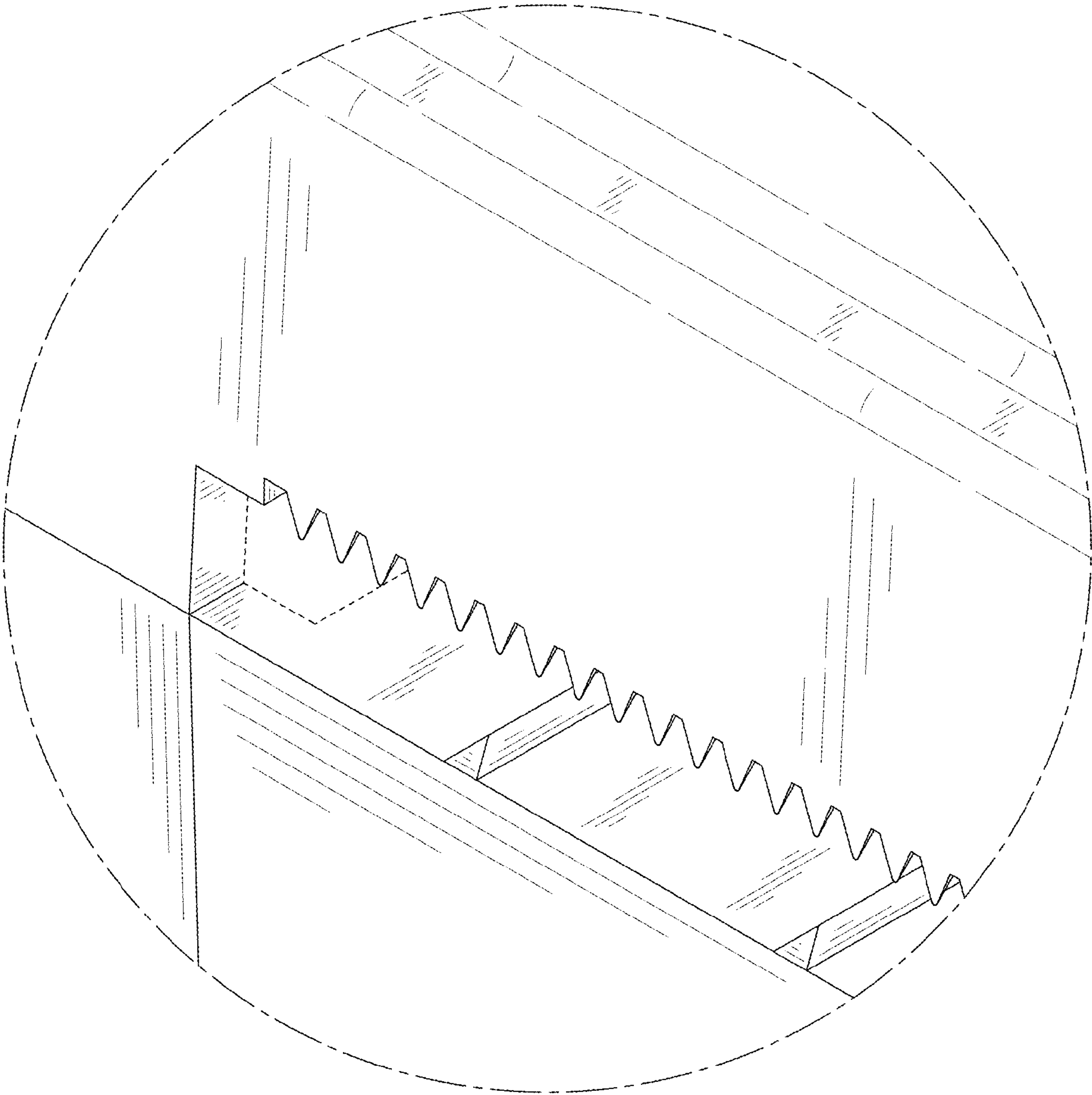


FIG. 9