



US00D986958S

(12) **United States Design Patent** (10) **Patent No.:** **US D986,958 S**  
**Xu** (45) **Date of Patent:** **\*\* May 23, 2023**

(54) **LABEL PRINTER**

FOREIGN PATENT DOCUMENTS

(71) Applicant: **Xiamen iPrt Technology Co., Ltd.**,  
Fujian (CN)

CN 306285431 \* 1/2021  
CN 306840670 \* 9/2021

(Continued)

(72) Inventor: **Shuangquan Xu**, Fujian (CN)

OTHER PUBLICATIONS

(73) Assignee: **Xiamen iPrt Technology Co., Ltd.**,  
Fujian (CN)

Amazon. Link: <https://www.amazon.com/ColAura-Color-Photo-Label-Printer/dp/B07KWW7RH6/?th=1>. Jan. 24, 2019. Brother—ColAura Color Photo and Label Printer. (Year: 2019).\*

(\*\*) Term: **15 Years**

(Continued)

(21) Appl. No.: **29/802,390**

(22) Filed: **Aug. 4, 2021**

Primary Examiner — Lauren D McVey

(74) Attorney, Agent, or Firm — ScienBiziP, P.C.

(51) **LOC (14) Cl.** ..... **18-99**

(52) **U.S. Cl.**

USPC ..... **D18/19**

(58) **Field of Classification Search**

USPC ..... D18/12, 14–19, 36–41, 45, 50, 53–56;  
D19/65, 66, 67, 68, 69, 70, 71; D14/301,  
D14/307, 121

CPC ..... H04N 1/00204; H04N 1/00249; H04N  
1/00278; G06K 15/12; G06K 15/14; B41J  
3/00; B41J 3/46; B41J 2/3358; B41J  
3/382; B41J 3/445; B41J 3/28; B41J  
11/0045; B41J 3/36

See application file for complete search history.

(57) **CLAIM**

The ornamental design for a label printer, as shown and described.

**DESCRIPTION**

FIG. 1 is a front, right, and top perspective view of a label printer, showing my design.

FIG. 2 is a rear, left, and bottom perspective view thereof.

FIG. 3 is a front elevation view thereof.

FIG. 4 is a rear elevation view thereof.

FIG. 5 is a left side elevation view thereof.

FIG. 6 is a right side elevation view thereof.

FIG. 7 is a top plan view thereof.

FIG. 8 is a bottom plan view thereof; and,

FIG. 9 is a partial enlarged view of an area labeled 9 in FIG. 1.

The evenly spaced broken lines depict portions of the label printer that form no part of the claimed design. The dot-dash broken lines indicating an enlargement portion of the design forms no part of the claimed design.

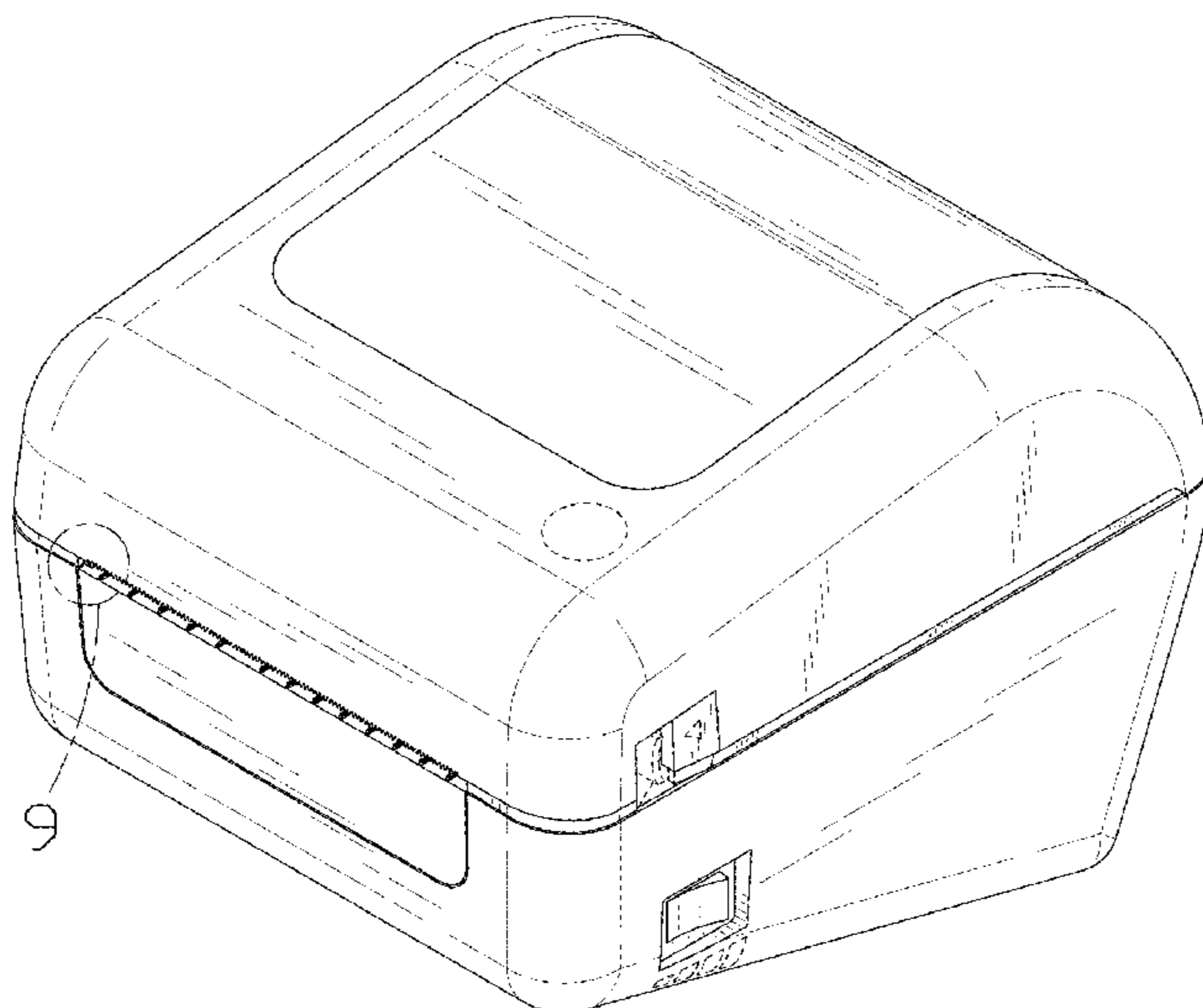
(56) **References Cited**

U.S. PATENT DOCUMENTS

D187,119 S \* 1/1960 Berg ..... D14/472  
D386,515 S \* 11/1997 Sommerville ..... D18/50  
D478,116 S \* 8/2003 Nakaeda ..... D18/19  
D622,760 S \* 8/2010 Kimura ..... D18/50  
D765,166 S \* 8/2016 Takahashi ..... D18/50  
D800,830 S \* 10/2017 Maeda ..... D18/19  
9,873,263 B2 \* 1/2018 Yoshida ..... G06F 3/1204  
D822,758 S \* 7/2018 Maeda ..... D18/19  
D857,092 S \* 8/2019 Michie ..... D18/50  
D876,533 S \* 2/2020 Nanno ..... D18/19  
D893,589 S \* 8/2020 Michie ..... D18/19

(Continued)

**1 Claim, 9 Drawing Sheets**



(56)

**References Cited**

U.S. PATENT DOCUMENTS

D900,213 S 10/2020 Ozawa et al.  
D900,214 S 10/2020 Sun  
D907,697 S 1/2021 Tashima  
2012/0141184 A1\* 6/2012 Chen ..... F16D 13/58  
400/242  
2022/0402279 A1\* 12/2022 Yamamoto ..... B41J 11/0045

FOREIGN PATENT DOCUMENTS

CN 307624667 \* 10/2022  
CN 307699508 \* 11/2022  
JP 2014210667 A \* 11/2014 ..... B65H 16/02  
JP D1725534 \* 9/2022

OTHER PUBLICATIONS

Amazon. Link: <https://www.amazon.com/dp/B096M19FGQ/> Jun. 4, 2021. Jagens Thermal Label Printer. (Year: 2021).\*

Amazon. Link: [https://www.amazon.com/Bluetooth-Thermal-Shipping-Label-Printer/dp/B08VRX5FK5/ref=psdc\\_8553181011\\_t2\\_B096M19FGQ](https://www.amazon.com/Bluetooth-Thermal-Shipping-Label-Printer/dp/B08VRX5FK5/ref=psdc_8553181011_t2_B096M19FGQ). Feb. 3, 2021. Jagens Bluetooth Thermal Shipping Label Printer (Year: 2021).\*

\* cited by examiner

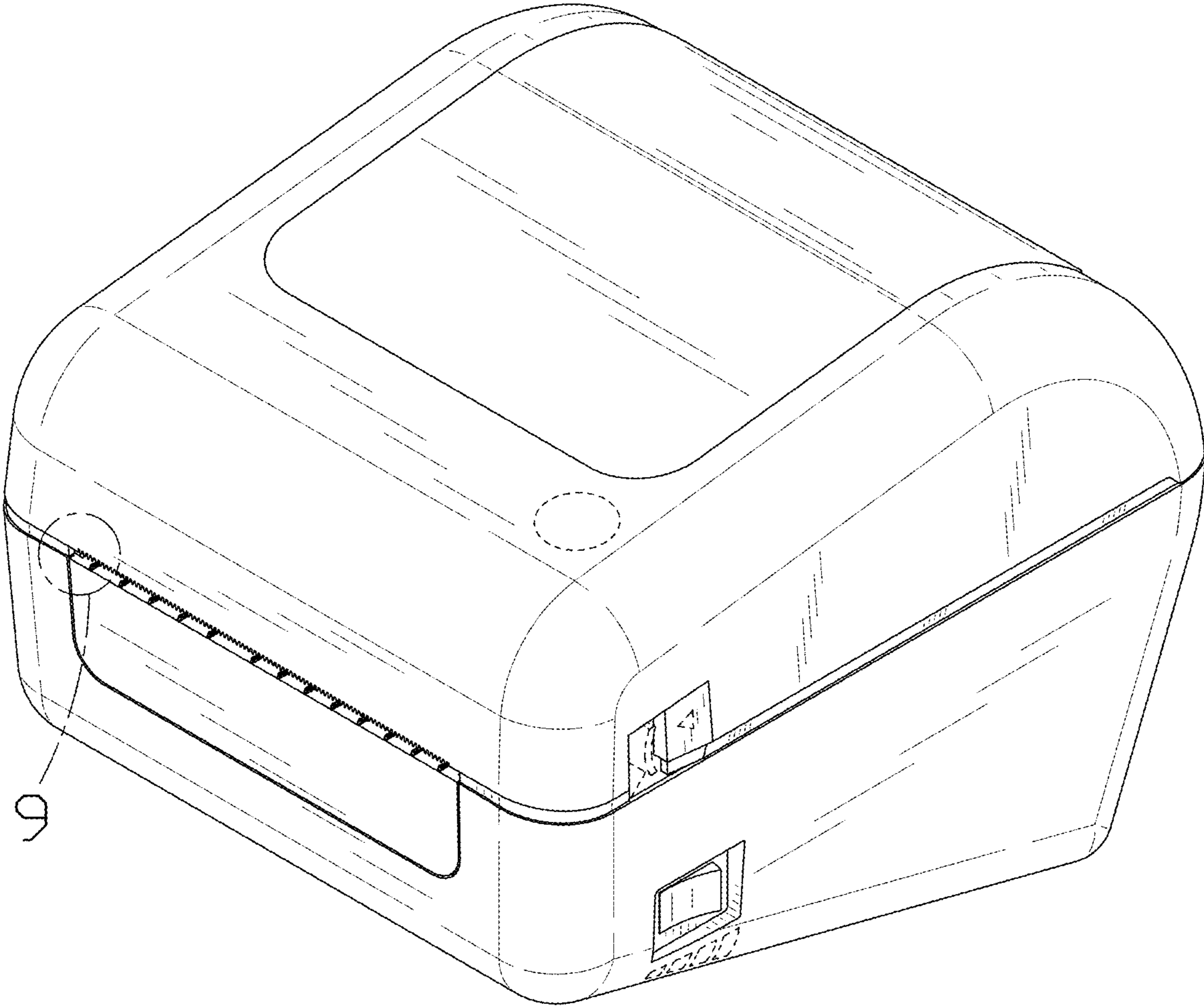


FIG. 1

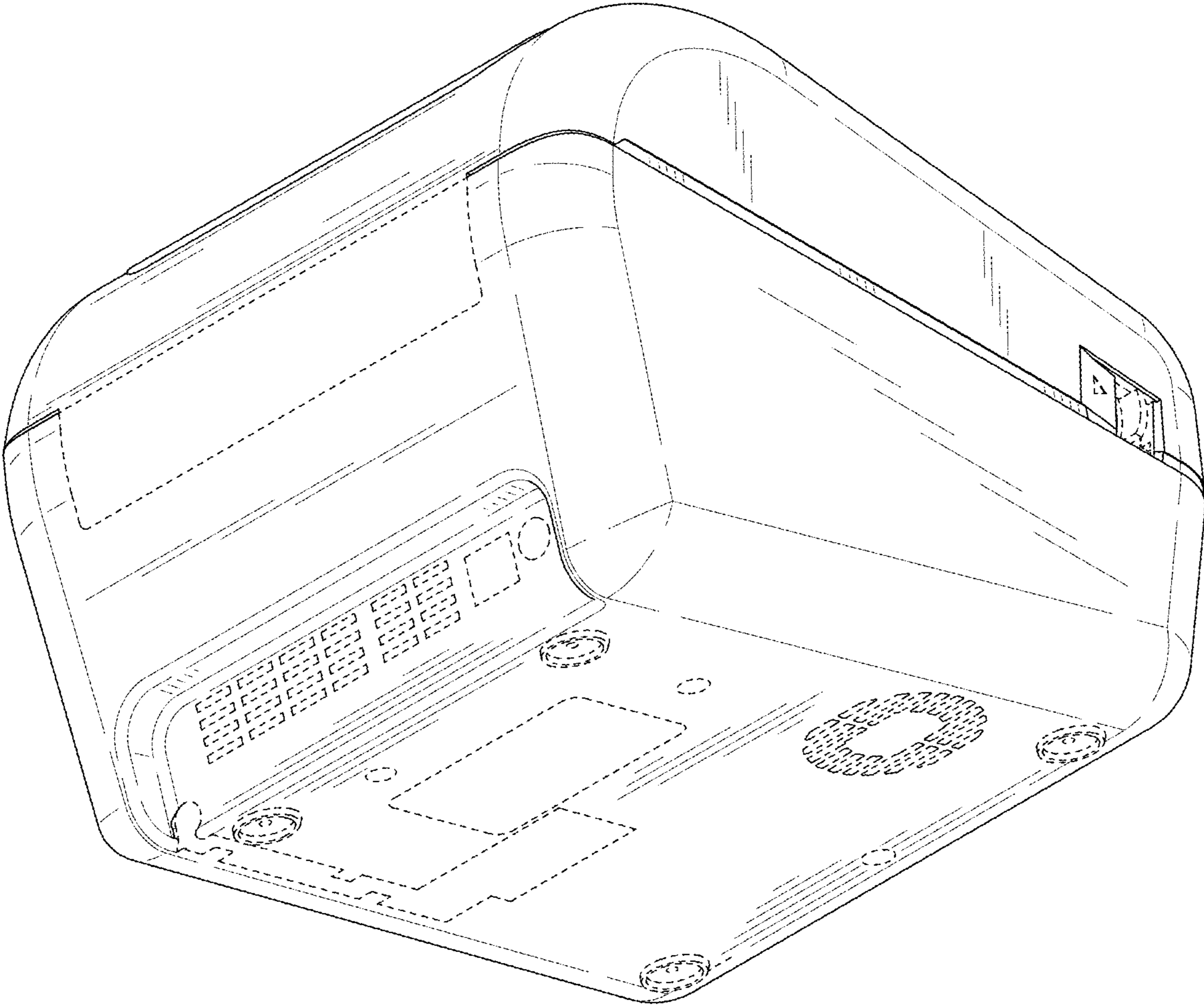


FIG. 2

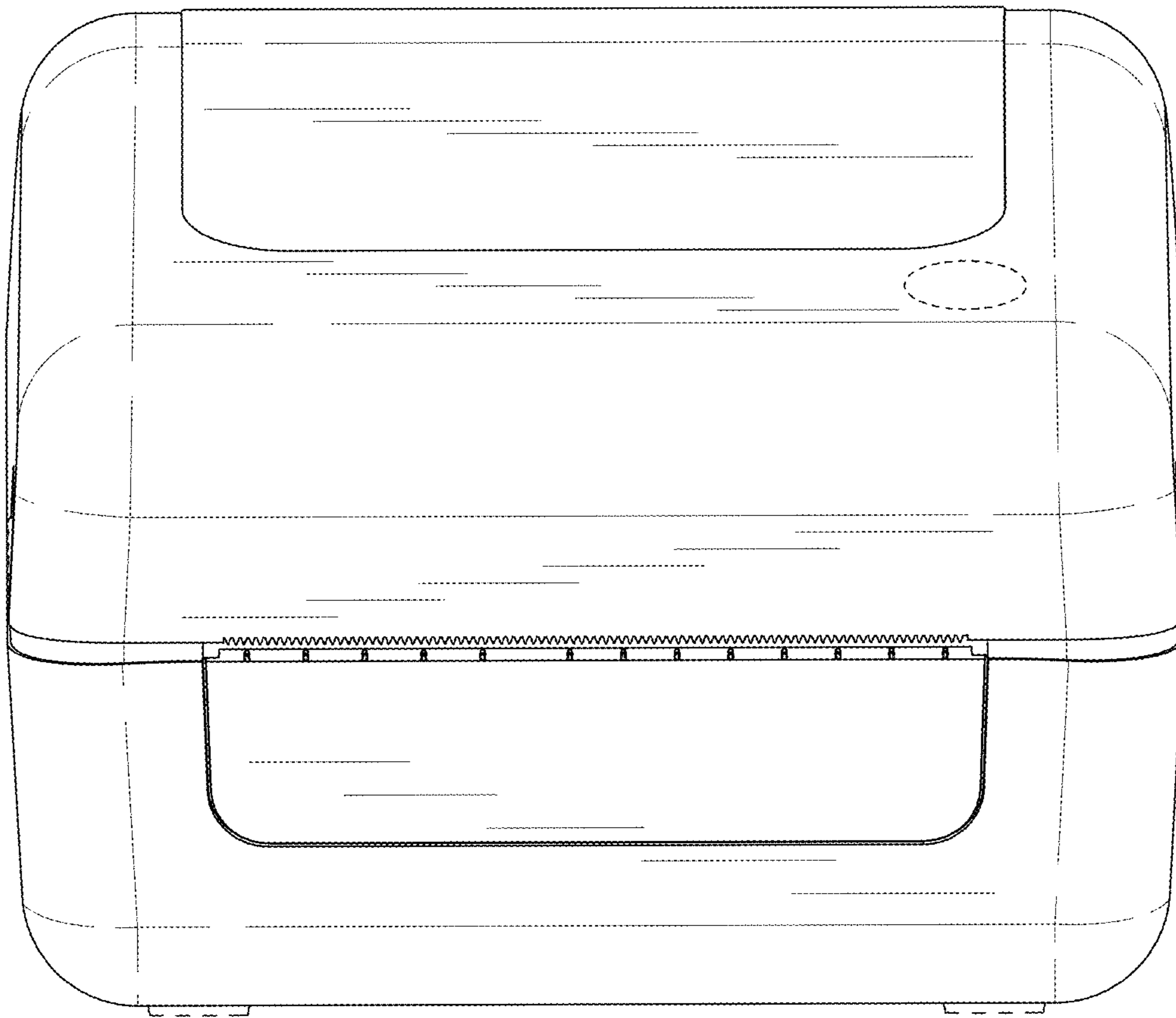


FIG. 3

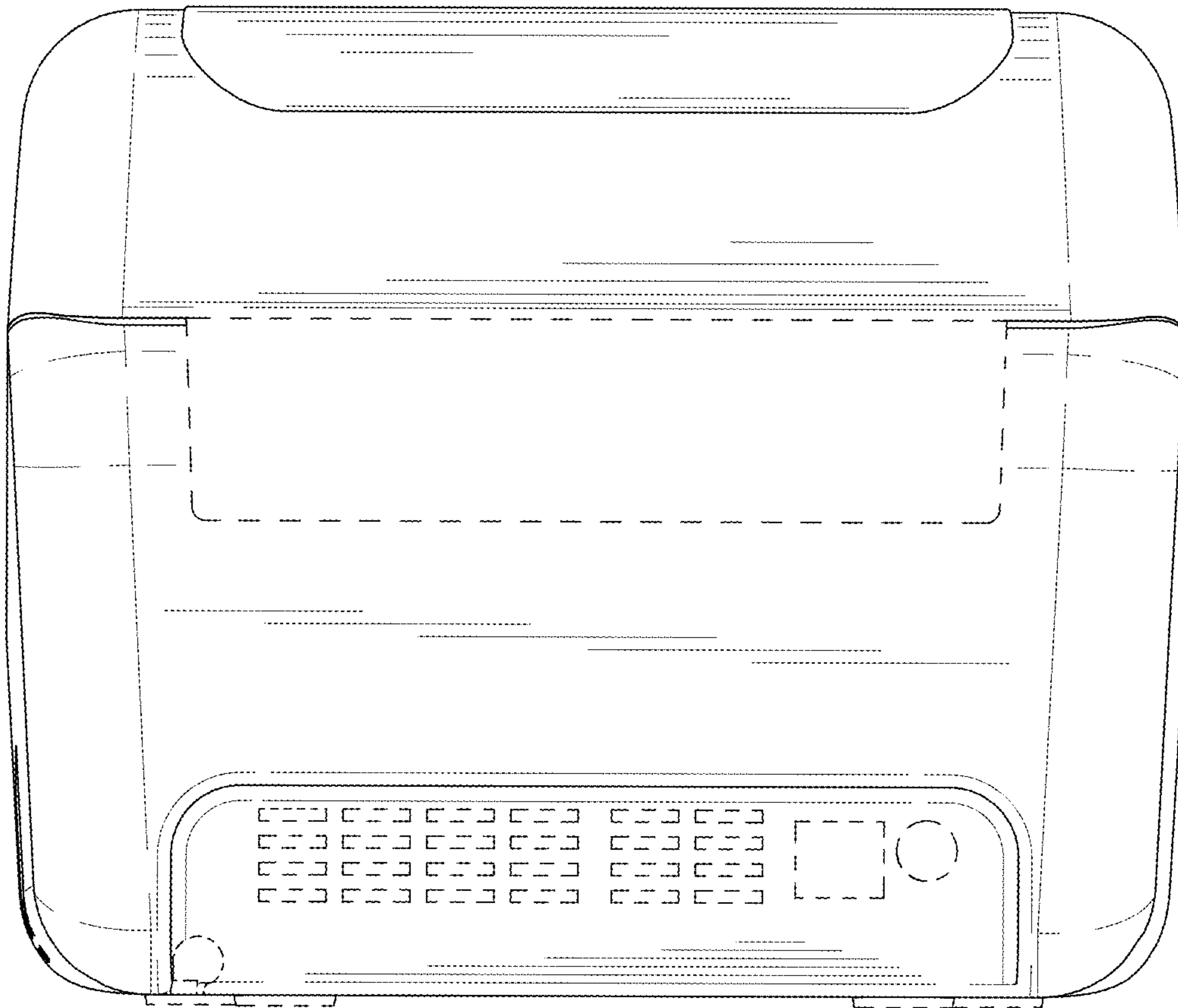


FIG. 4

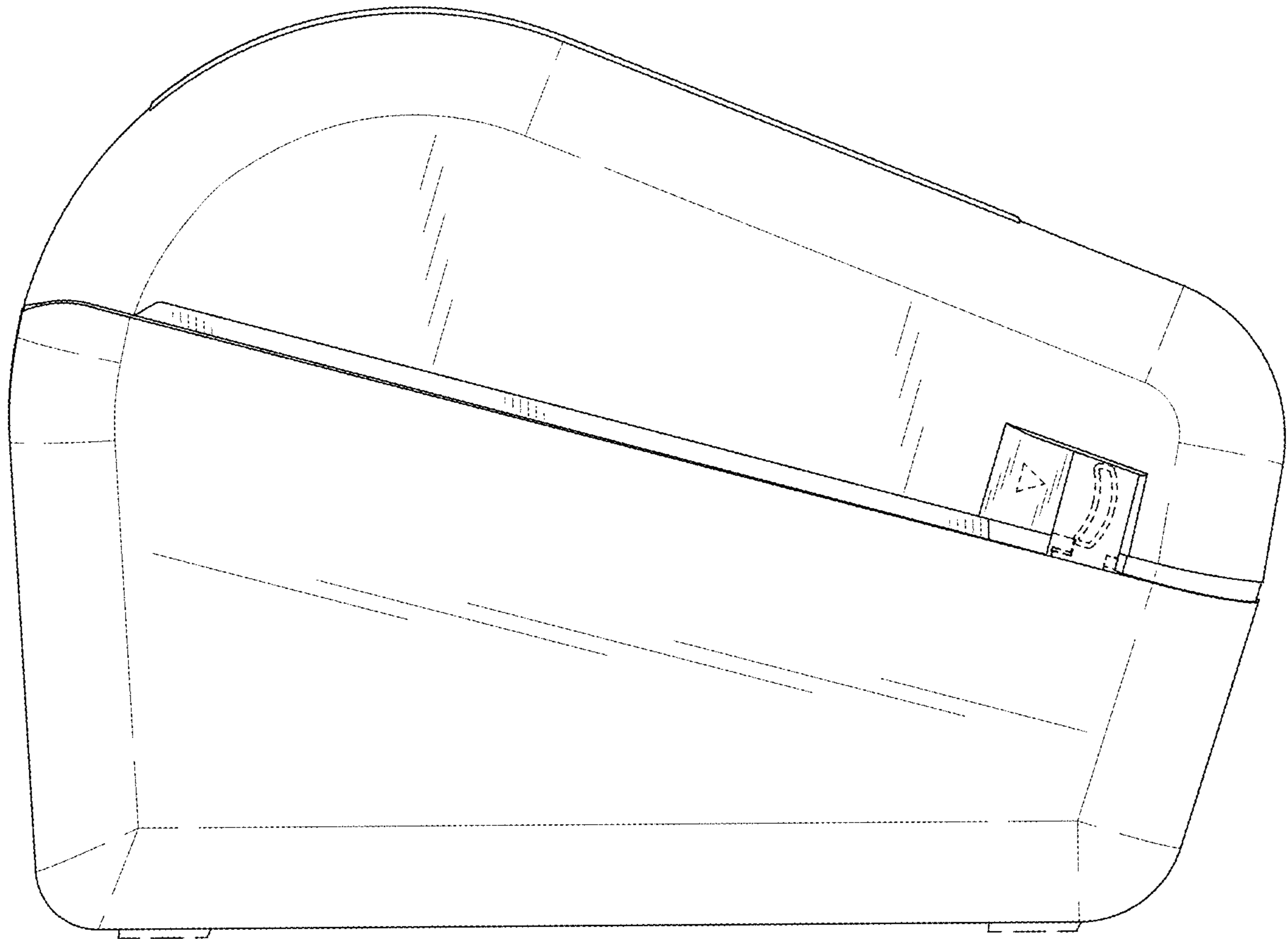


FIG. 5

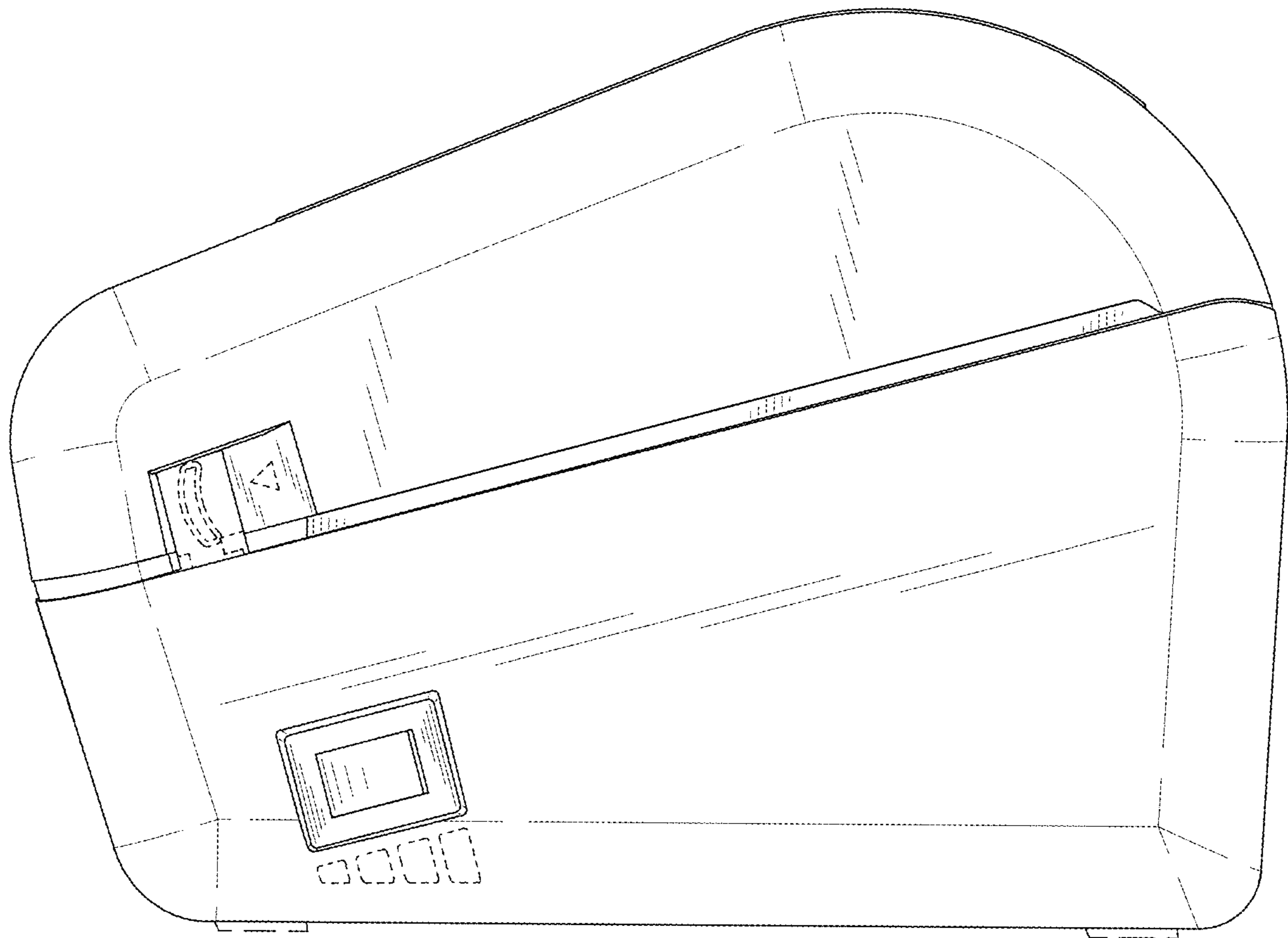


FIG. 6



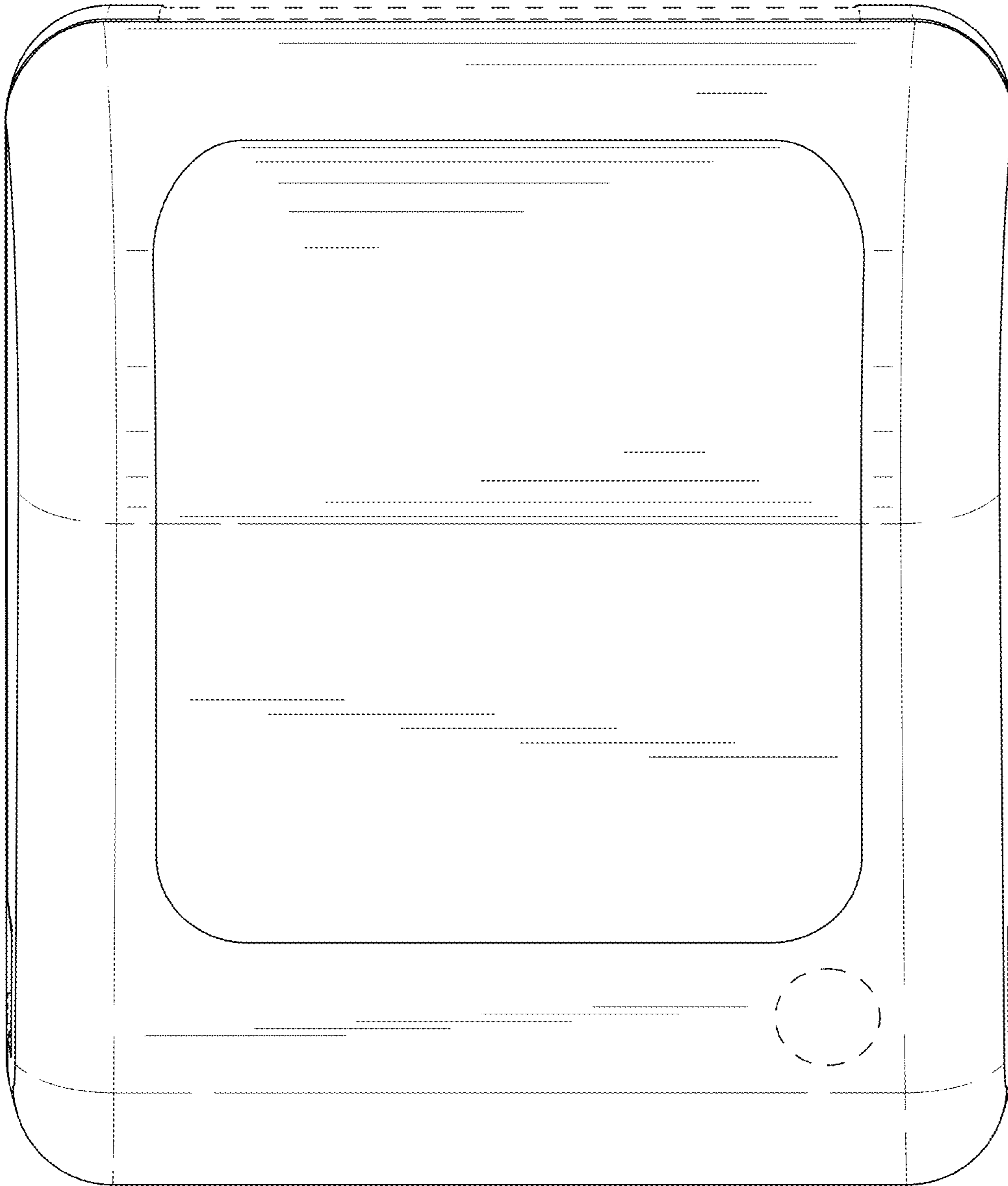


FIG. 7

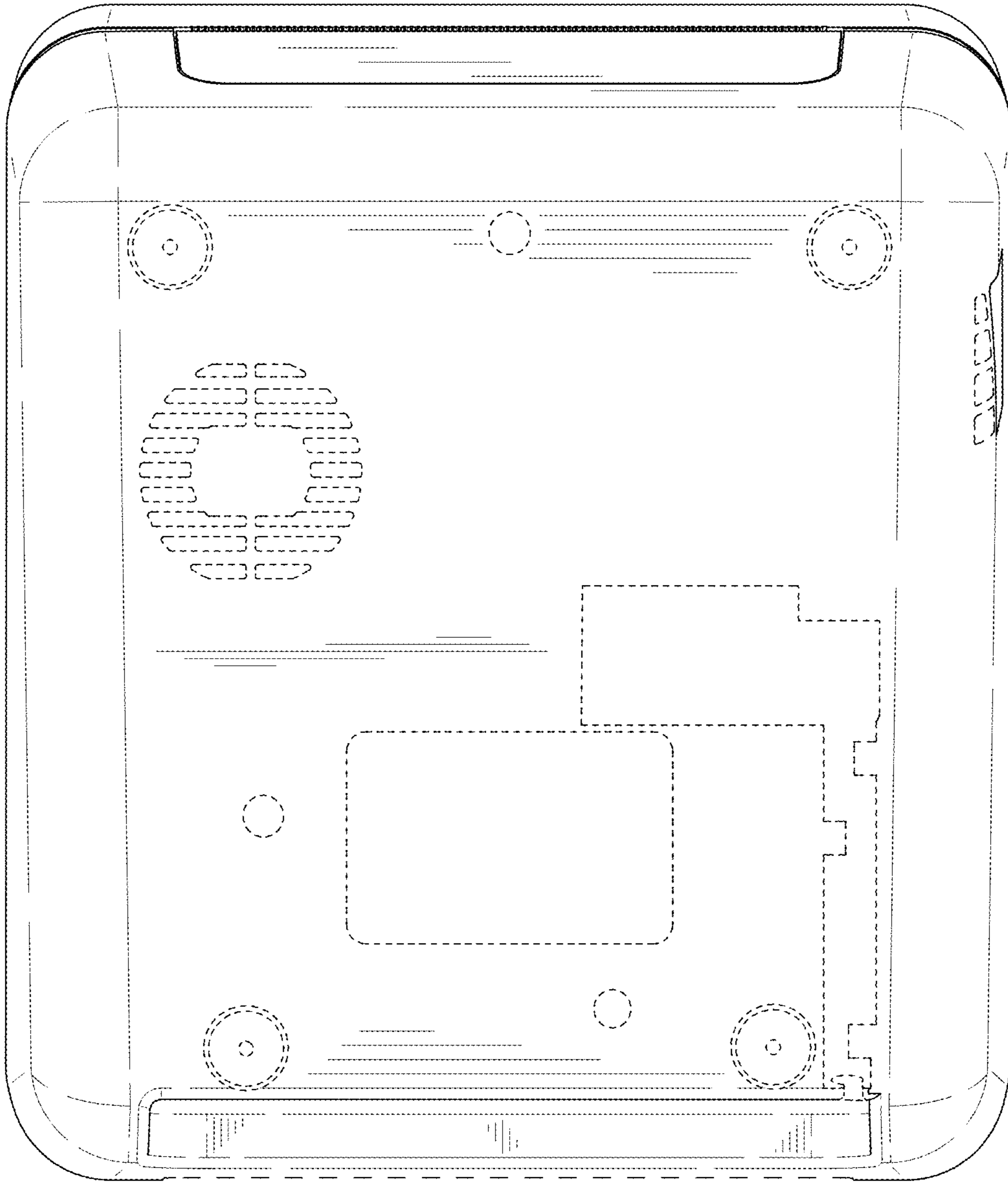


FIG. 8

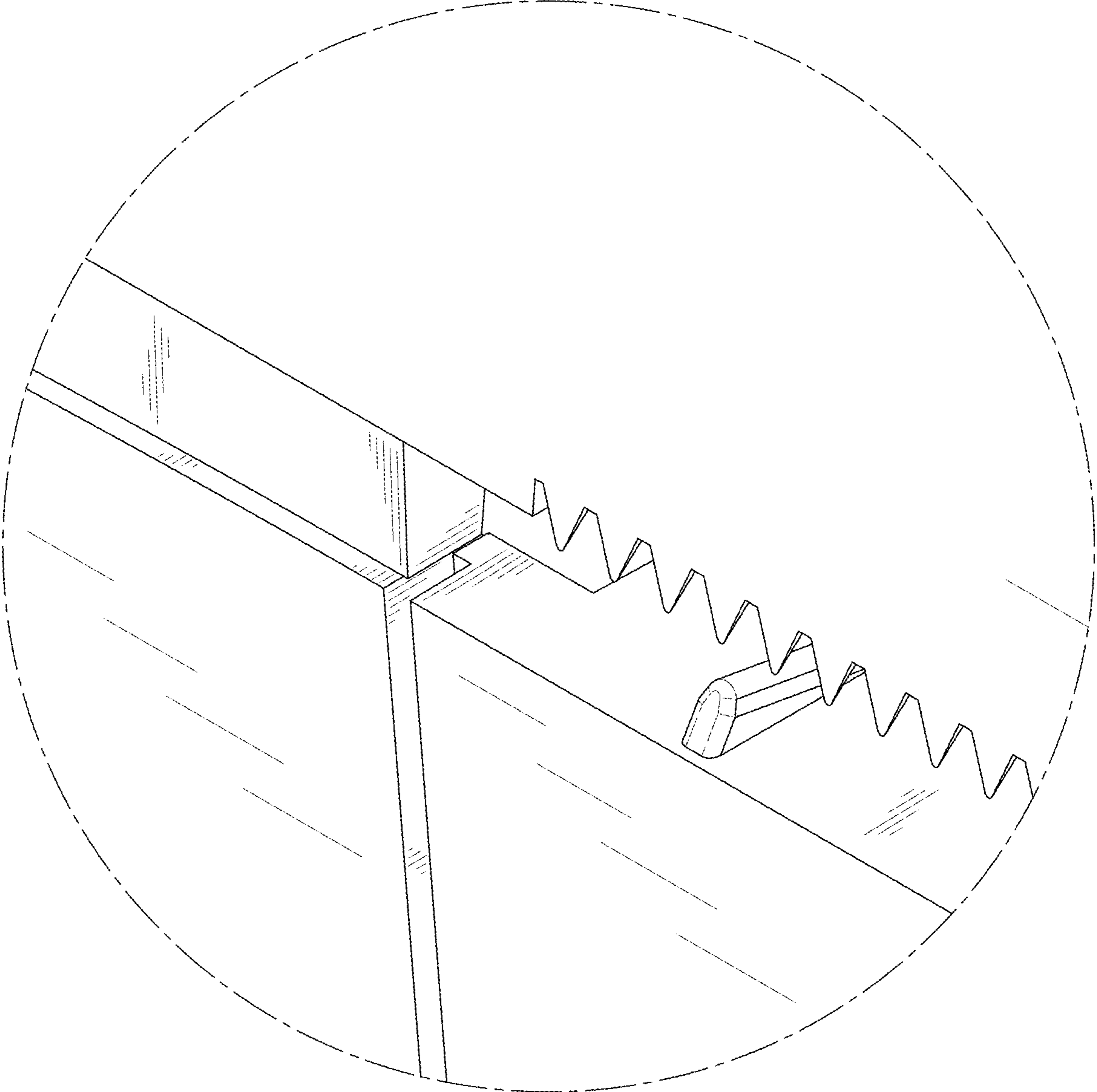


FIG. 9