



US00D986957S

(12) **United States Design Patent** (10) **Patent No.:** **US D986,957 S**  
**Park** (45) **Date of Patent:** **\*\* \*May 23, 2023**

(54) **EYEGLASSES TEMPLE WITH HEART TEMPLE TIP**

D518,407 S \* 4/2006 Stern ..... D11/86  
11,221,503 B2 \* 1/2022 Batash ..... G02C 11/02  
2007/0216855 A1 \* 9/2007 Tabacchi ..... G02C 1/04  
351/106

(71) Applicant: **Min Gyu Park**, Busan (KR)

(Continued)

(72) Inventor: **Min Gyu Park**, Busan (KR)

**FOREIGN PATENT DOCUMENTS**

(\*) Notice: This patent is subject to a terminal disclaimer.

CN 3039224 \* 1/1996  
CN 305223065 \* 6/2019  
KR 300886089.0000 \* 12/2016

(\*\*) Term: **15 Years**

**OTHER PUBLICATIONS**

(21) Appl. No.: **29/766,320**

New Authentic Linda Farrow Jeremy Scott Heart Bead Sunglasses, product availability Jan. 1, 2021 [online], no video/pictured review [online], [site visited Sep. 6, 2022]:URL:<https://www.ebay.com/itm/142742341823> (Year: 2021).\*

(22) Filed: **Jan. 14, 2021**

(Continued)

(51) **LOC (14) Cl.** ..... **16-06**

(52) **U.S. Cl.**  
USPC ..... **D16/335**; D16/306

(58) **Field of Classification Search**  
USPC ..... D14/372; D16/100, 300-342;  
D29/103-110  
CPC . G02C 5/14; G02C 5/22; G02C 5/143; G02C 5/146; G02C 5/16; G02C 5/18; G02C 5/20; G02C 7/16; G02C 7/165; G02C 11/12; G02C 11/02; G02C 7/10; A61F 9/00; A61F 9/027

*Primary Examiner* — Wendy L Arminio  
*Assistant Examiner* — Loryn K. LeBlanc  
(74) *Attorney, Agent, or Firm* — IPLA P.A.

See application file for complete search history.

(57) **CLAIM**

The ornamental design for an eyeglasses temple with heart temple tip, as shown and described.

(56) **References Cited**

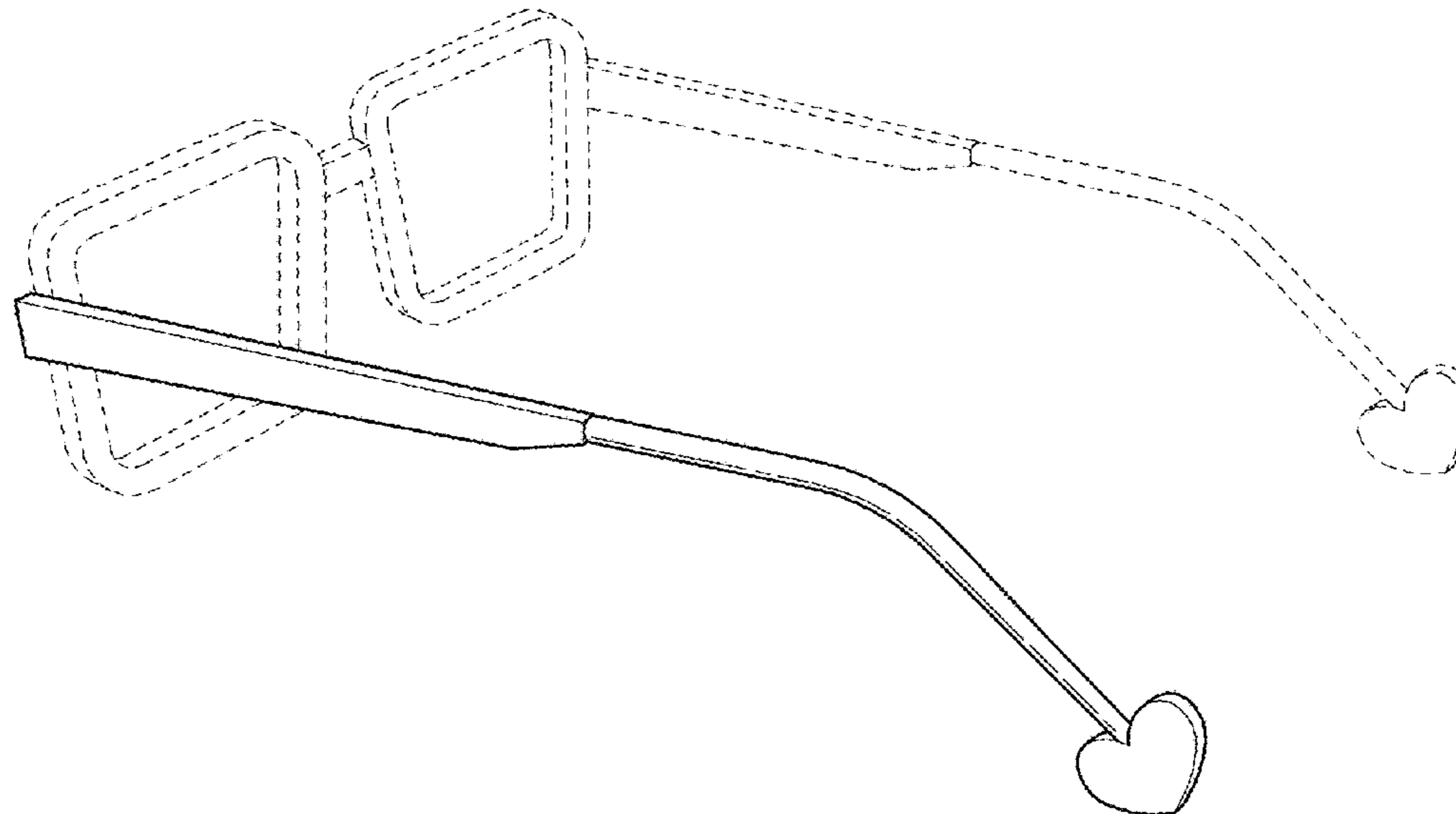
**DESCRIPTION**

**U.S. PATENT DOCUMENTS**

D163,546 S \* 6/1951 Stegeman ..... D16/316  
D216,337 S \* 12/1969 Simon ..... D16/317  
5,469,230 A \* 11/1995 Murai ..... G02C 11/02  
351/52  
D383,770 S \* 9/1997 Tsai ..... D16/326  
5,793,464 A \* 8/1998 Chen ..... G02C 11/02  
351/116  
5,896,184 A \* 4/1999 Lowe ..... A44C 25/00  
351/52  
D417,231 S \* 11/1999 Grimaldi ..... D16/318

FIG. 1 is a perspective view of my new design showing an eyeglasses temple with heart temple tip; FIG. 2 is a front elevation view there thereof; FIG. 3 is a rear elevation view thereof; FIG. 4 is a top plan view thereof; FIG. 5 is a bottom plan view thereof; FIG. 6 is a left side elevation view thereof; FIG. 7 is a right side elevation view thereof; and, FIG. 8 is another perspective view of my new design showing an eyeglasses temple with heart temple tip. The broken lines shown in the drawings are for the purpose of illustrating environment and form no part of the claimed design.

**1 Claim, 2 Drawing Sheets**



(56)

**References Cited**

U.S. PATENT DOCUMENTS

2009/0252360 A1\* 10/2009 Sipkema ..... G02C 11/06  
381/327  
2022/0187619 A1\* 6/2022 Safdieh ..... G02C 3/02

OTHER PUBLICATIONS

Heart Glasses, product availability Sep. 6, 2022 [online], no video/  
pictured review [online], [site visited Sep. 6, 2022]:URL:<[https://www.aliexpress.com/item/3256803346596467.html?algo\\_pvid=c258f3ca-303b-40e9-b867-daec556bae3f&algo\\_exp\\_id=c258f3ca-303b-40e9-b867-daec556bae3f-51&gatewayAdapt=4itemAdapt](https://www.aliexpress.com/item/3256803346596467.html?algo_pvid=c258f3ca-303b-40e9-b867-daec556bae3f&algo_exp_id=c258f3ca-303b-40e9-b867-daec556bae3f-51&gatewayAdapt=4itemAdapt)> (Year: 2022).\*

\* cited by examiner

FIG. 1

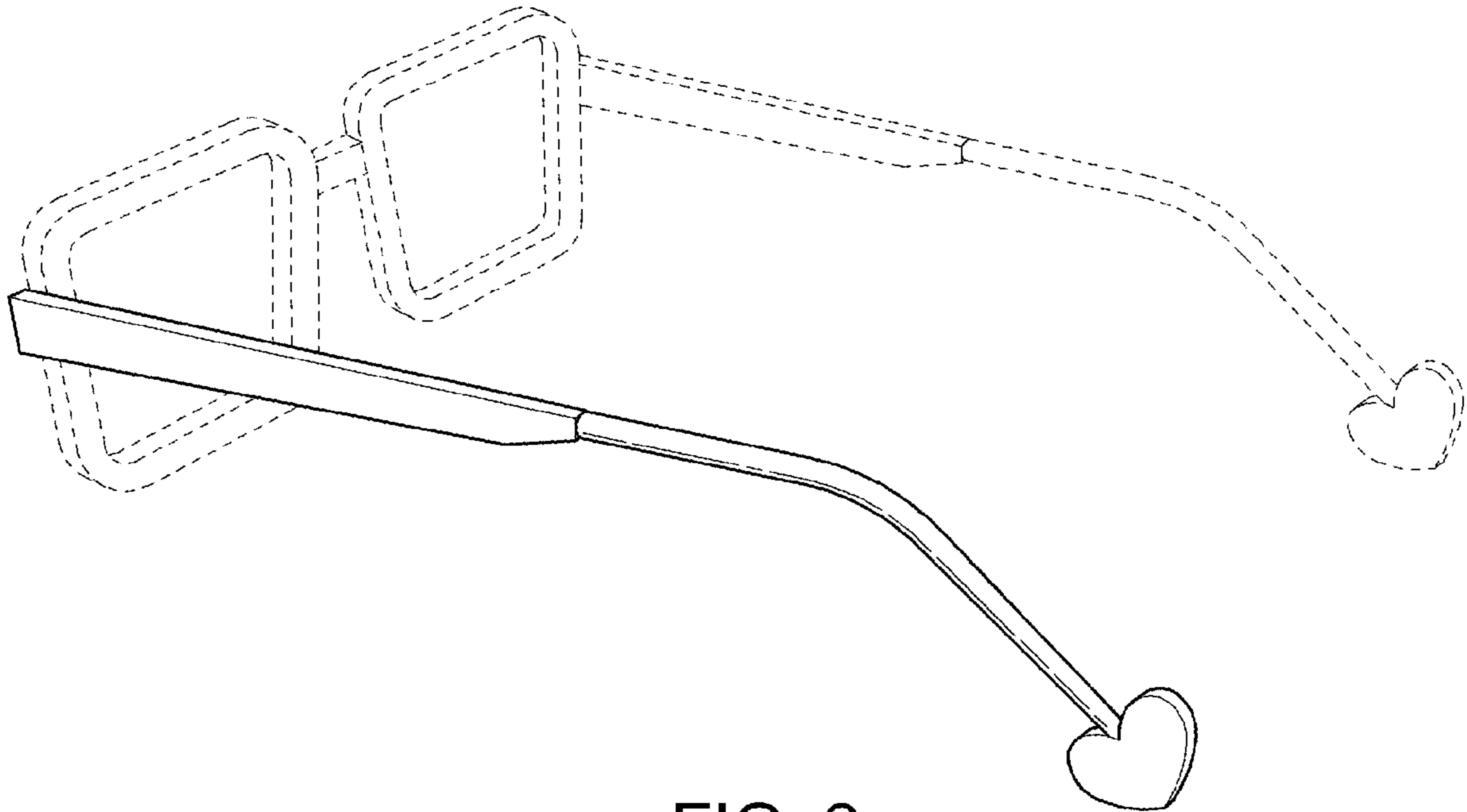


FIG. 2

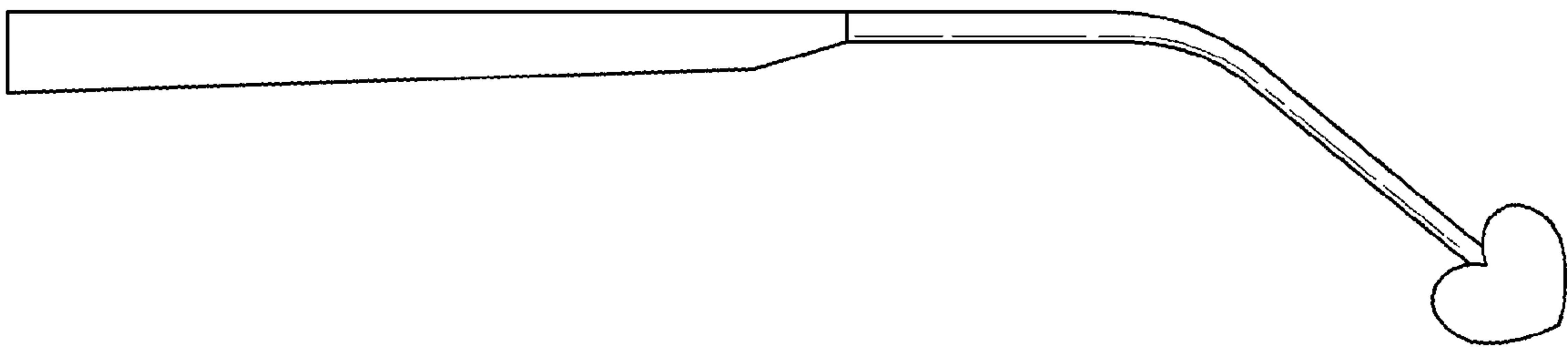


FIG. 3

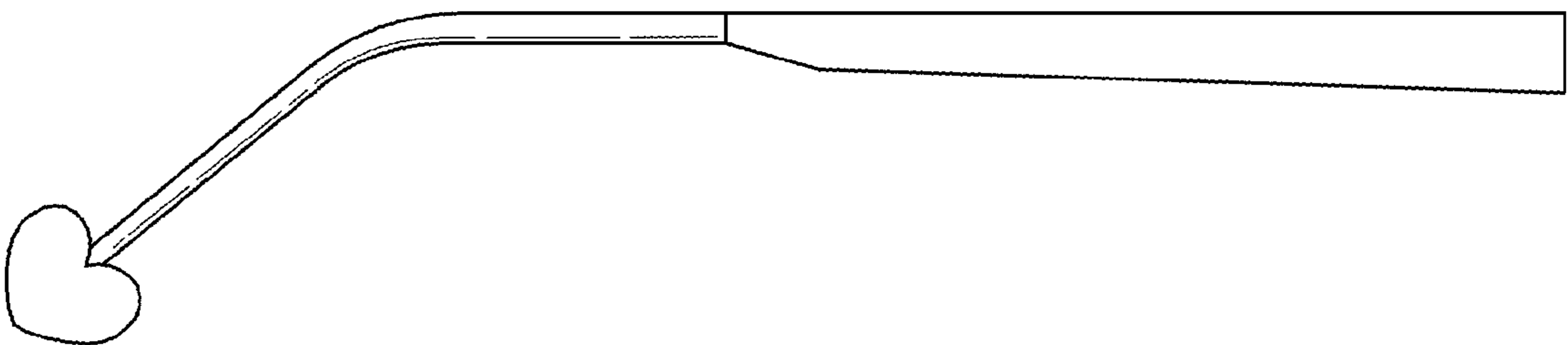


FIG. 4

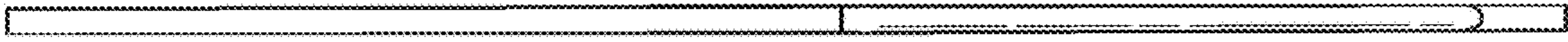


FIG. 5

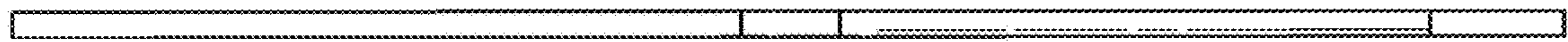


FIG. 6



FIG. 7

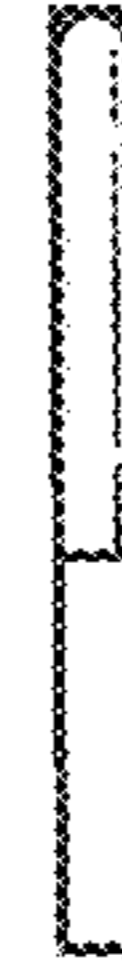


FIG. 8

