



US00D986956S

(12) **United States Design Patent** (10) **Patent No.:** **US D986,956 S**  
**Park** (45) **Date of Patent:** **\*\* May 23, 2023**

(54) **EYEGLASSES TEMPLE WITH STAR TEMPLE TIP**

(71) Applicant: **Min Gyu Park**, Busan (KR)

(72) Inventor: **Min Gyu Park**, Busan (KR)

(\*\*) Term: **15 Years**

(21) Appl. No.: **29/766,318**

(22) Filed: **Jan. 14, 2021**

(51) **LOC (14) Cl.** ..... **16-06**

(52) **U.S. Cl.**  
USPC ..... **D16/335**

(58) **Field of Classification Search**  
USPC ..... D14/372; D16/100, 300-342;  
D29/103-110  
CPC . G02C 5/14; G02C 5/22; G02C 5/143; G02C  
5/146; G02C 5/16; G02C 5/18; G02C  
5/20; G02C 7/16; G02C 7/165; G02C  
11/12; G02C 11/02; G02C 7/10; A61F  
9/00; A61F 9/027  
See application file for complete search history.

(56) **References Cited**

**U.S. PATENT DOCUMENTS**

D108,703 S *	3/1938	Pomeranz	.....	D16/334
D163,546 S *	6/1951	Stegeman	.....	D16/316
4,968,128 A *	11/1990	Mendola	.....	G02C 11/02 351/52
5,896,184 A *	4/1999	Lowe	.....	A44C 25/00 351/52
D492,955 S *	7/2004	Hoyle	.....	D16/301
D813,082 S *	3/2018	Riviere	.....	D11/81
D899,510 S *	10/2020	Yan	.....	D16/338
11,221,503 B2 *	1/2022	Batash	.....	G02C 11/02
2007/0216855 A1 *	9/2007	Tabacchi	.....	G02C 1/04 351/106
2009/0252360 A1 *	10/2009	Sipkema	.....	G02C 11/06 381/327
2015/0049292 A1 *	2/2015	Wilson	.....	G02C 5/20 351/114
2016/0066656 A1 *	3/2016	Ferris	.....	A44B 1/04 24/303

(Continued)

**FOREIGN PATENT DOCUMENTS**

CN	307476134	*	7/2022
KR	300886089.0000	*	12/2016
KR	301071532.0000	*	8/2020

**OTHER PUBLICATIONS**

Glasses Ear Grips, product availability Apr. 9, 2022 [online], no video/pictured review [online], [site visited Sep. 7, 2022]:URL:<[https://www.amazon.com/gp/product/B09XK69BS3/ref=sw\\_img\\_1?smid=A1MP0IQWYFMTQC&psc=1](https://www.amazon.com/gp/product/B09XK69BS3/ref=sw_img_1?smid=A1MP0IQWYFMTQC&psc=1)> (Year: 2022).\*

(Continued)

*Primary Examiner* — Bao-Yen T Nguyen  
*Assistant Examiner* — Loryn K. LeBlanc  
(74) *Attorney, Agent, or Firm* — IPLA P.A.

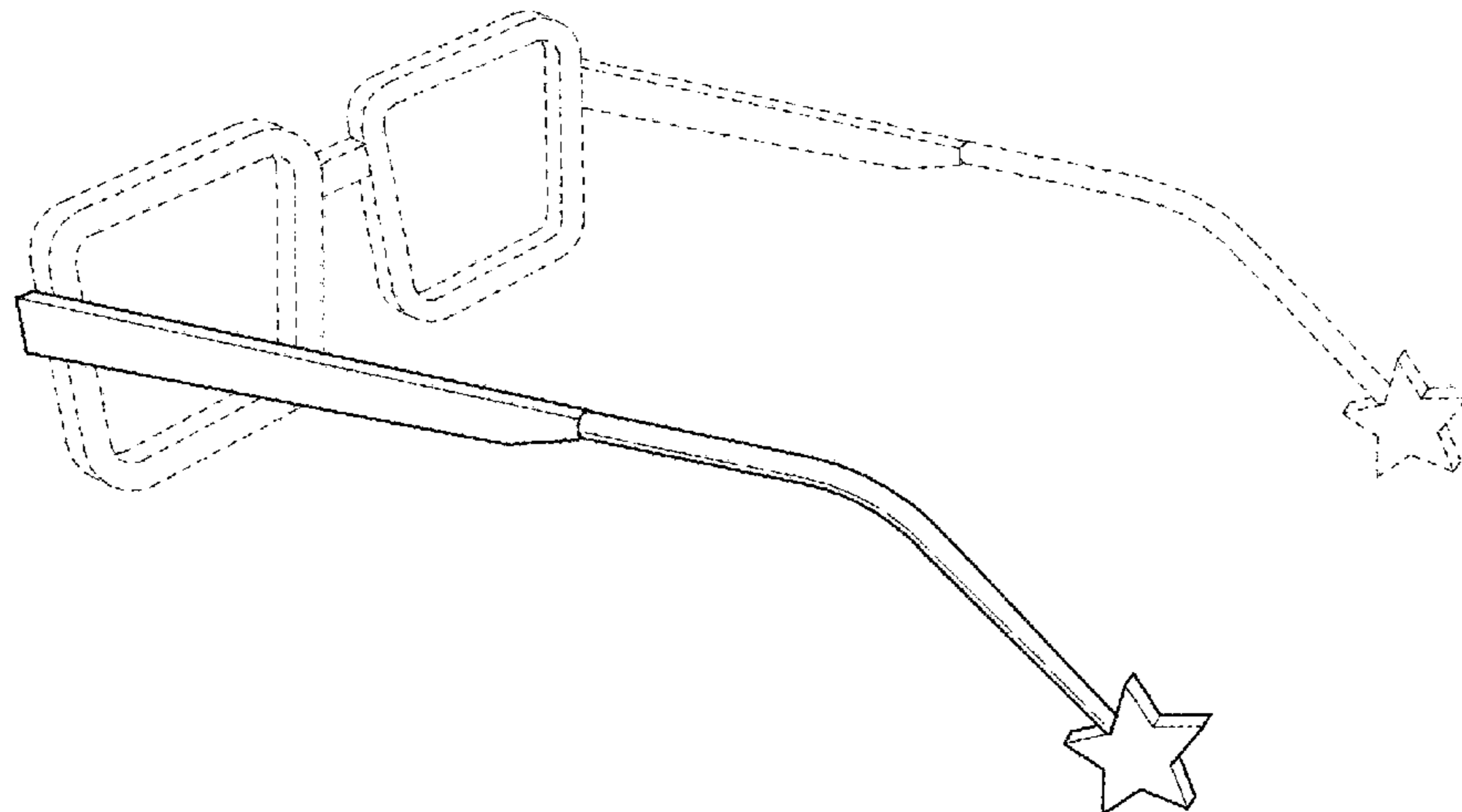
(57) **CLAIM**

The ornamental design for an eyeglasses temple with star temple tip, as shown and described.

**DESCRIPTION**

FIG. 1 is a perspective view of my new design showing an eyeglasses temple with star temple tip;  
FIG. 2 is a front elevation view there thereof;  
FIG. 3 is a rear elevation view thereof;  
FIG. 4 is a top plan view thereof;  
FIG. 5 is a bottom plan view thereof;  
FIG. 6 is a left side elevation view thereof;  
FIG. 7 is a right side elevation view thereof; and,  
FIG. 8 is another perspective view of my new design showing an eyeglasses temple with star temple tip.  
The broken lines shown in the drawings are for the purpose of illustrating environment and form no part of the claimed design.

**1 Claim, 2 Drawing Sheets**



(56)

**References Cited**

U.S. PATENT DOCUMENTS

2016/0174669 A1\* 6/2016 Ferris ..... G02C 11/02  
411/378  
2017/0003518 A1\* 1/2017 Walker ..... G02C 5/06

OTHER PUBLICATIONS

Rimless Y2K Sunglasses, product availability unknown [online],  
picture review Aug. 20, 2022 [online], [site visited Sep. 7,  
2022]:URL:<[https://www.amazon.com/gp/product/B0B7RGW2P9/  
ref=sw\\_img\\_1?smid=A2QL8FX2S444IS&psc=1](https://www.amazon.com/gp/product/B0B7RGW2P9/ref=sw_img_1?smid=A2QL8FX2S444IS&psc=1)> (Year: 2022).\*

\* cited by examiner

FIG. 1

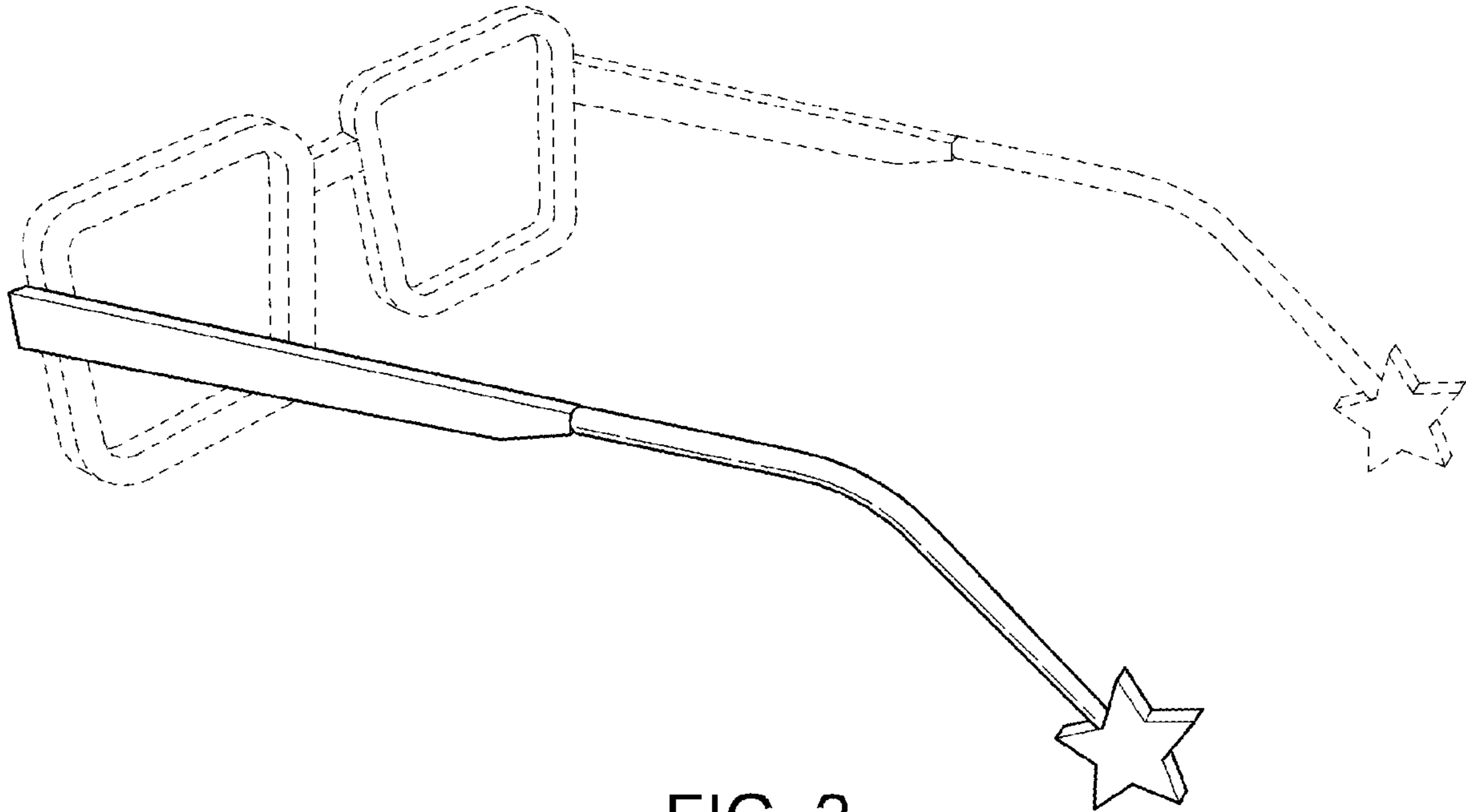


FIG. 2

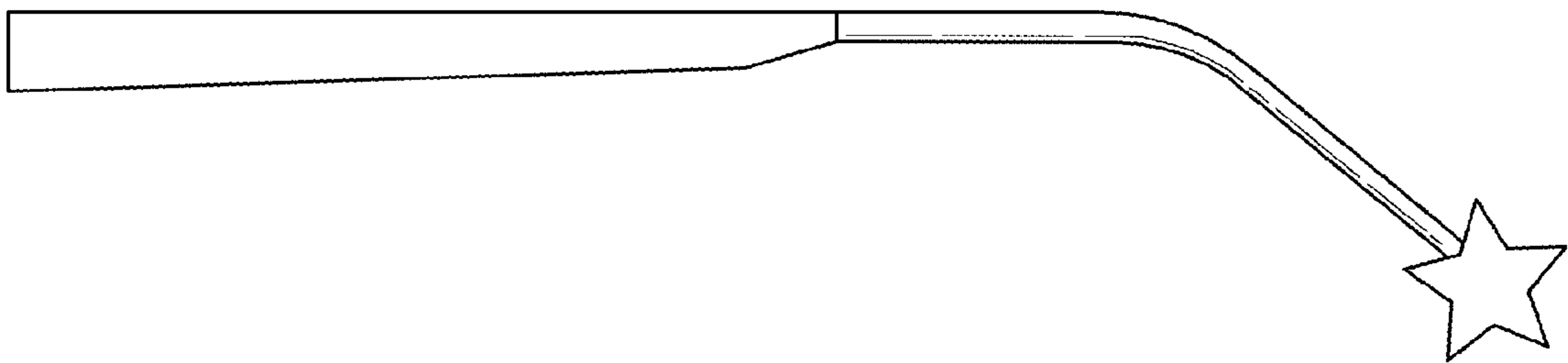


FIG. 3

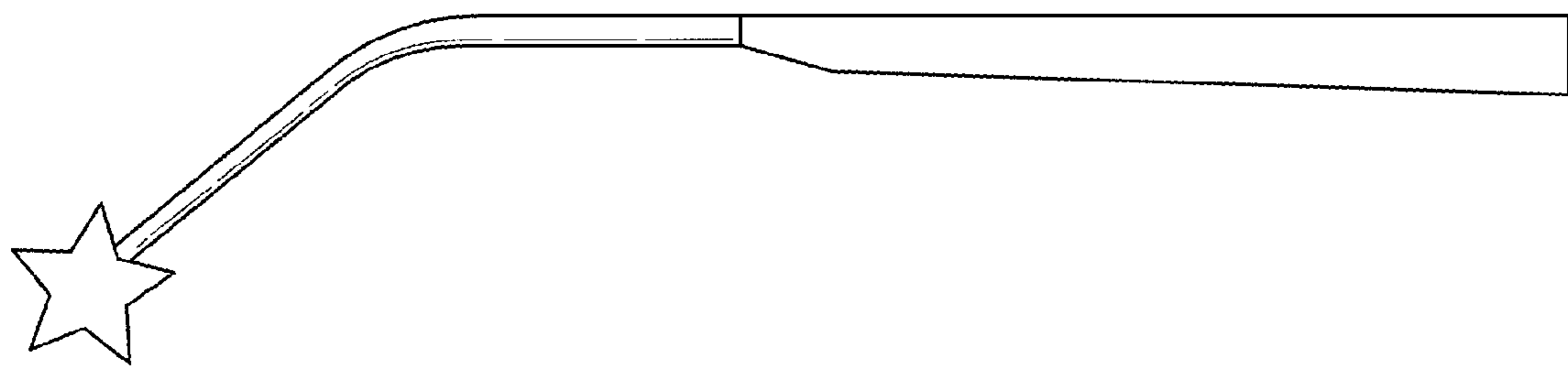


FIG. 4

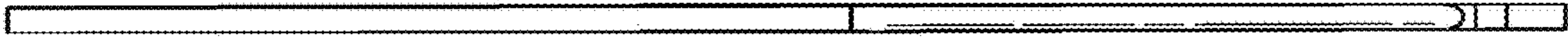


FIG. 5



FIG. 6



FIG. 7



FIG. 8

