



US00D986955S

(12) **United States Design Patent**
Park

(10) **Patent No.:** **US D986,955 S**

(45) **Date of Patent:** **** *May 23, 2023**

(54) **EYEGLASSES TEMPLE WITH OCTAGON TEMPLE TIP**

FOREIGN PATENT DOCUMENTS

(71) Applicant: **Min Gyu Park**, Busan (KR)

EM 001871559-0002 * 6/2011
EM 005823309-0077 * 11/2018
KR 300886089.0000 * 12/2016

(72) Inventor: **Min Gyu Park**, Busan (KR)

(*) Notice: This patent is subject to a terminal disclaimer.

(**) Term: **15 Years**

OTHER PUBLICATIONS

(21) Appl. No.: **29/766,314**

The Fresh Fashion Designer Huge Hexagon Metal frame, product availability unknown [online], picture review Apr. 26, 2019 [online], [site visited Sep. 7, 2022]:URL:<https://www.amazon.com/gp/product/B074K3NC28/ref=ox_sc_act_title_1?smid=AWOD112G8ECRA&psc=1> (Year: 2019).*

(22) Filed: **Jan. 14, 2021**

* cited by examiner

(51) **LOC (14) Cl.** **16-06**

(52) **U.S. Cl.**
USPC **D16/335**

(58) **Field of Classification Search**
USPC D14/372; D16/100, 300-342;
D29/103-110
CPC . G02C 5/14; G02C 5/22; G02C 5/143; G02C 5/146; G02C 5/16; G02C 5/18; G02C 5/20; G02C 7/16; G02C 7/165; G02C 11/12; G02C 11/02; G02C 7/10; A61F 9/00; A61F 9/027
See application file for complete search history.

Primary Examiner — Bao-Yen T Nguyen
Assistant Examiner — Loryn K. Leblanc
(74) *Attorney, Agent, or Firm* — IPLA P.A.

(56) **References Cited**

U.S. PATENT DOCUMENTS

D705,838 S * 5/2014 Huschka D16/101
D708,242 S * 7/2014 Huschka D16/101
D708,243 S * 7/2014 Huschka D16/101
D710,421 S * 8/2014 Huschka D16/101
D710,422 S * 8/2014 Huschka D16/101
D710,920 S * 8/2014 Huschka D16/101
2007/0216855 A1 * 9/2007 Tabacchi G02C 1/04
351/106
2009/0252360 A1 * 10/2009 Sipkema G02C 11/06
381/327

(57) **CLAIM**

The ornamental design for an eyeglasses temple with octagon temple tip, as shown and described.

DESCRIPTION

FIG. 1 is a perspective view of my new design showing an eyeglasses temple with octagon temple tip;
FIG. 2 is a front elevation view there thereof;
FIG. 3 is a rear elevation view thereof;
FIG. 4 is a top plan view thereof;
FIG. 5 is a bottom plan view thereof;
FIG. 6 is a left side elevation view thereof;
FIG. 7 is a right side elevation view thereof; and,
FIG. 8 is another perspective view of my new design showing an eyeglasses temple with octagon temple tip.
The broken lines shown in the drawings are for the purpose of illustrating environment and form no part of the claimed design.

1 Claim, 2 Drawing Sheets

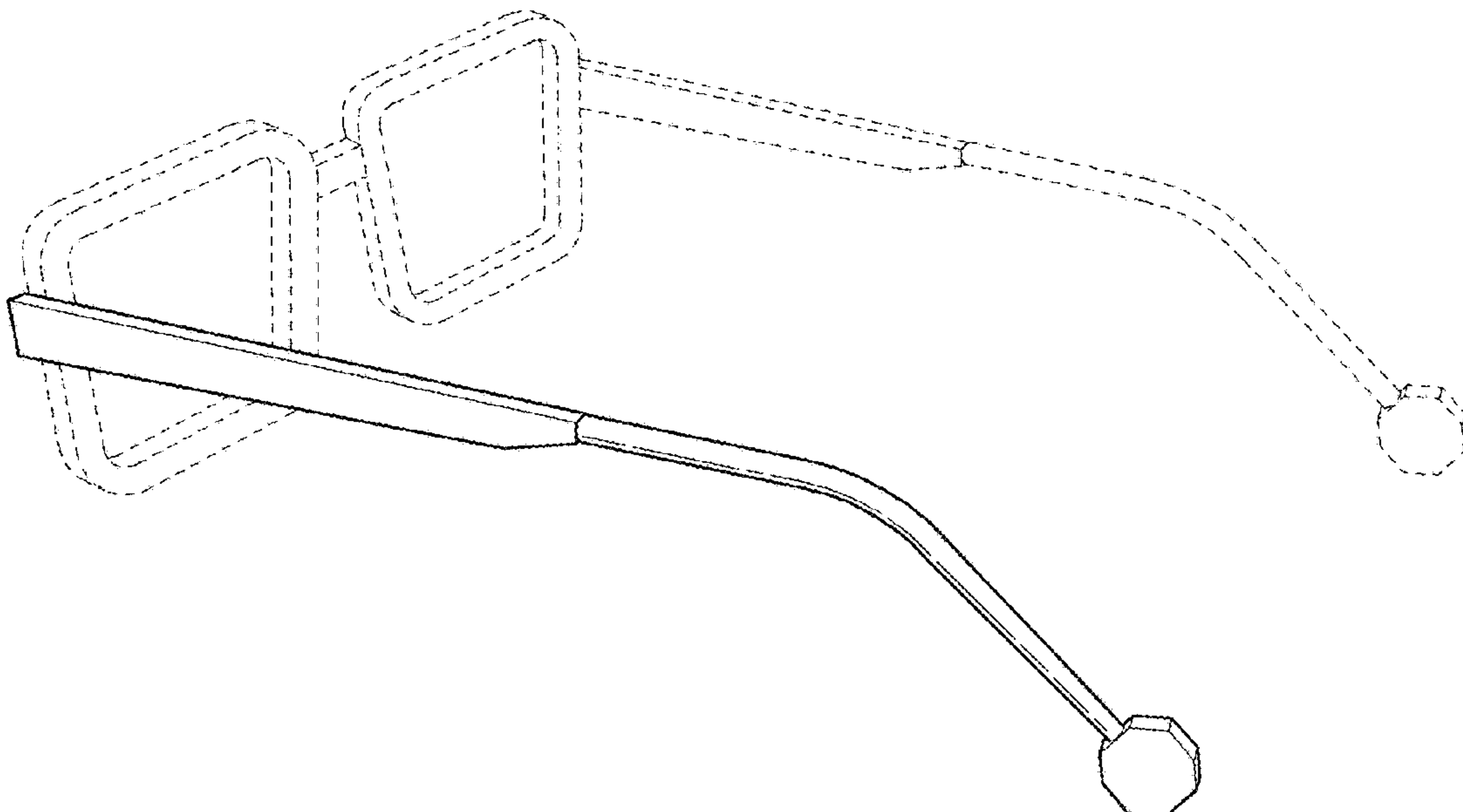


FIG. 1

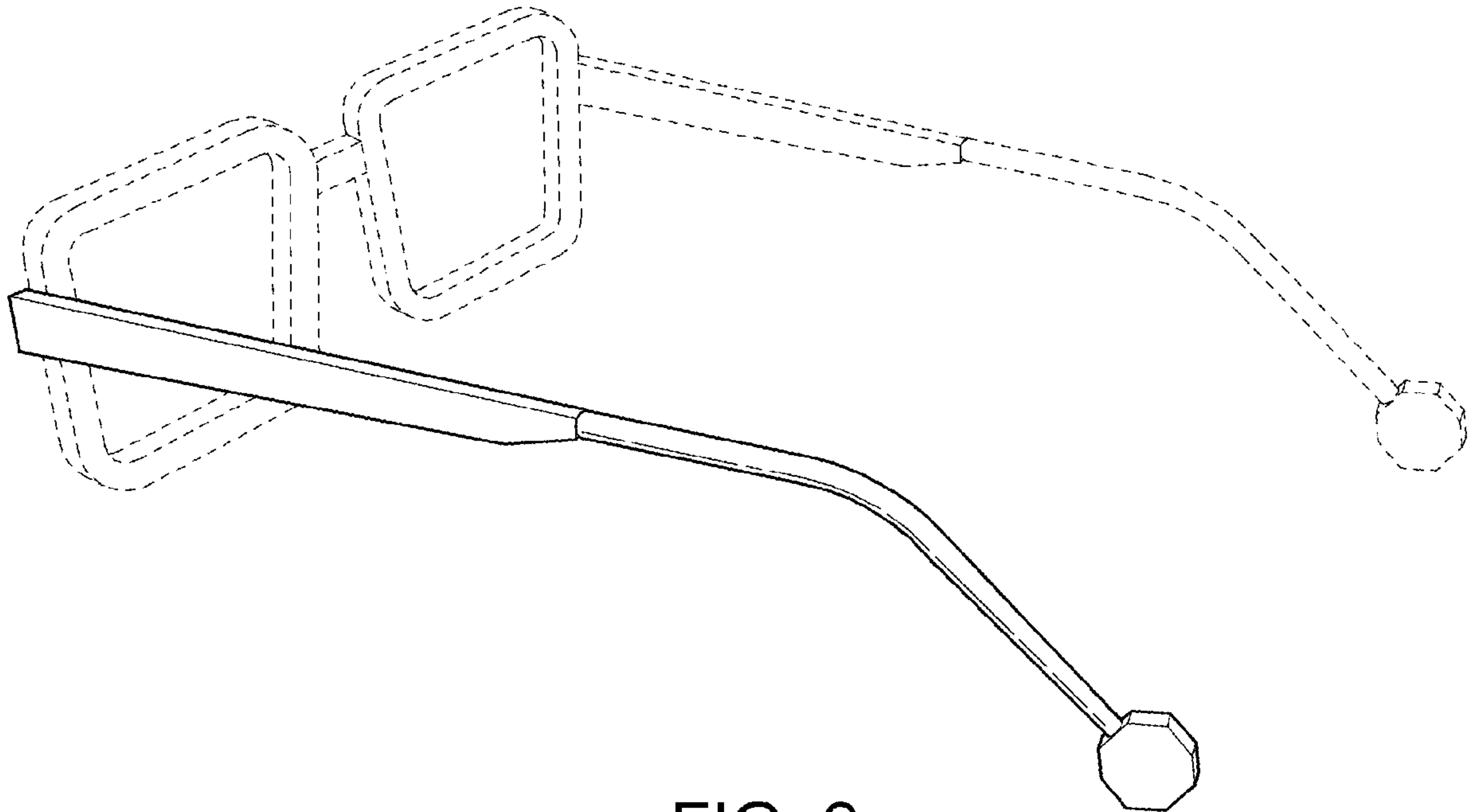


FIG. 2

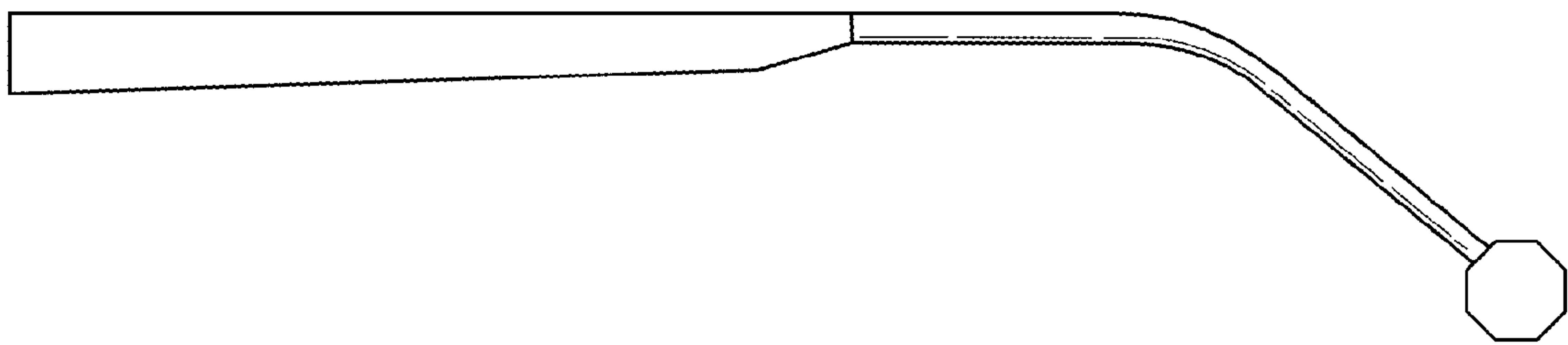


FIG. 3

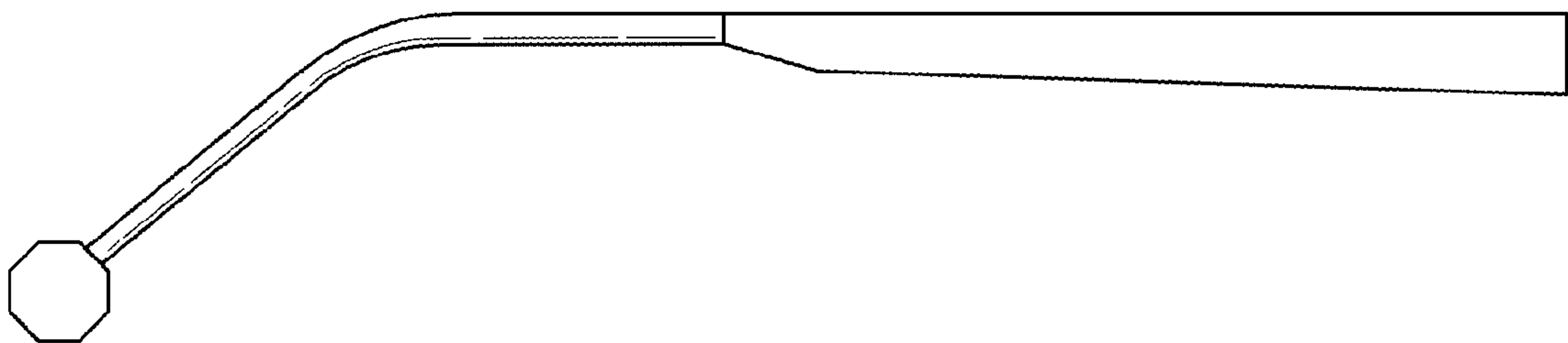


FIG. 4

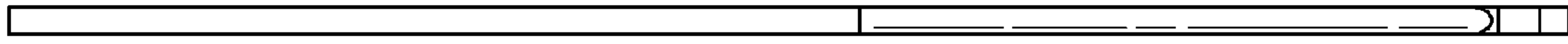


FIG. 5



FIG. 6



FIG. 7



FIG. 8

