



US00D986954S

(12) **United States Design Patent** (10) **Patent No.:** **US D986,954 S**  
**Park** (45) **Date of Patent:** **\*\* \*May 23, 2023**

(54) **EYEGLASSES TEMPLE WITH HEXAGON TEMPLE TIP**

D710,920 S \* 8/2014 Huschka ..... D16/101  
D813,082 S \* 3/2018 Riviere ..... D11/81  
D921,100 S \* 6/2021 Mametsuka ..... D16/330

(Continued)

(71) Applicant: **Min Gyu Park**, Busan (KR)

(72) Inventor: **Min Gyu Park**, Busan (KR)

(\*) Notice: This patent is subject to a terminal disclaimer.

(\*\*) Term: **15 Years**

(21) Appl. No.: **29/766,312**

(22) Filed: **Jan. 14, 2021**

(51) **LOC (14) Cl.** ..... **16-06**

(52) **U.S. Cl.**  
USPC ..... **D16/335**

(58) **Field of Classification Search**  
USPC ..... D14/372; D16/100, 300–342;  
D29/103–110  
CPC . G02C 5/14; G02C 5/22; G02C 5/143; G02C  
5/146; G02C 5/16; G02C 5/18; G02C  
5/20; G02C 7/16; G02C 7/165; G02C  
11/12; G02C 11/02; G02C 7/10; A61F  
9/00; A61F 9/027

See application file for complete search history.

(56) **References Cited**

**U.S. PATENT DOCUMENTS**

D121,893 S \* 8/1940 Doebrich ..... 351/136  
D216,337 S \* 12/1969 Simon ..... D16/317  
D265,097 S \* 6/1982 Lewis ..... D16/317  
D559,887 S \* 1/2008 Wu ..... D16/315  
D568,369 S \* 5/2008 Della Valle ..... D16/326  
D705,324 S \* 5/2014 Huschka ..... D16/101  
D708,242 S \* 7/2014 Huschka ..... D16/101  
D708,243 S \* 7/2014 Huschka ..... D16/101  
D709,115 S \* 7/2014 Huschka ..... D16/101  
D710,419 S \* 8/2014 Huschka ..... D16/101  
D710,421 S \* 8/2014 Huschka ..... D16/101

**FOREIGN PATENT DOCUMENTS**

EM 001269088-0005 \* 5/2011  
EM 001871559-0002 \* 6/2011  
KR 300886089.0000 \* 12/2016

**OTHER PUBLICATIONS**

Hexagonal Sunglasses, product availability unknown [online], picture review Jul. 12, 2019 [online], [site visited Sep. 7, 2022]:URL:<[https://www.amazon.com/gp/product/B07BBKRXF3/ref=sw\\_img\\_1?smid=ADJBIR05Y8CLI&psc=1](https://www.amazon.com/gp/product/B07BBKRXF3/ref=sw_img_1?smid=ADJBIR05Y8CLI&psc=1)> (Year: 2019).\*

(Continued)

*Primary Examiner* — Bao-Yen T Nguyen  
*Assistant Examiner* — Loryn K. Leblanc  
(74) *Attorney, Agent, or Firm* — IPLA P.A.

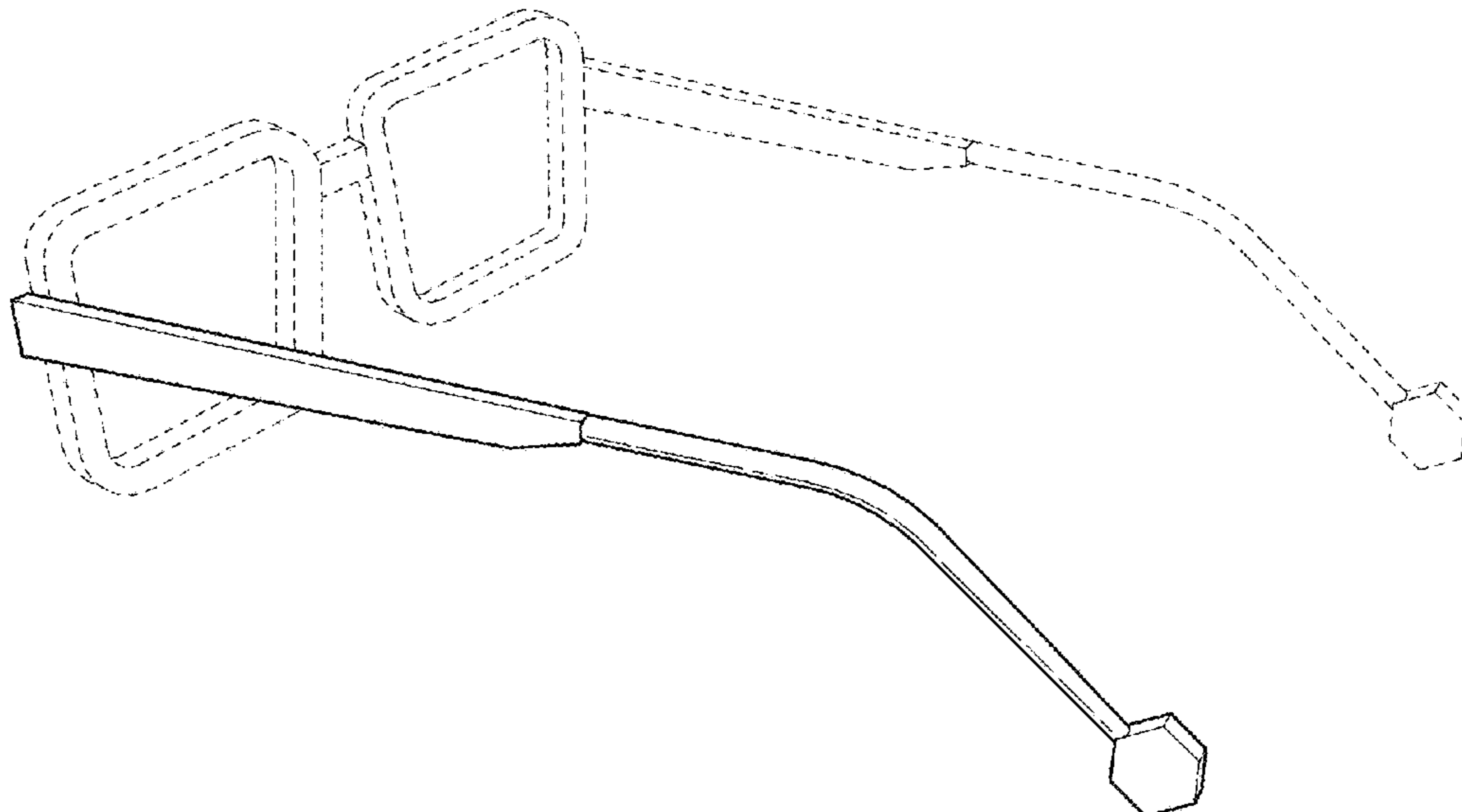
(57) **CLAIM**

The ornamental design for an eyeglasses temple with hexagon temple tip, as shown and described.

**DESCRIPTION**

FIG. 1 is a perspective view of my new design showing an eyeglasses temple with hexagon temple tip; FIG. 2 is a front elevation view there thereof; FIG. 3 is a rear elevation view thereof; FIG. 4 is a top plan view thereof; FIG. 5 is a bottom plan view thereof; FIG. 6 is a left side elevation view thereof; FIG. 7 is a right side elevation view thereof; and, FIG. 8 is another perspective view of my new design showing an eyeglasses temple with hexagon temple tip. The broken lines shown in the drawings are for the purpose of illustrating environment and form no part of the claimed design.

**1 Claim, 2 Drawing Sheets**



(56)

**References Cited**

U.S. PATENT DOCUMENTS

11,221,503 B2 \* 1/2022 Batash ..... G02C 11/02  
2009/0252360 A1 \* 10/2009 Sipkema ..... G02C 11/06  
381/327

OTHER PUBLICATIONS

Honeycomb Bee Pattern Sunglasses, product availability Jan. 31, 2021 [online], no video/pictured review [online], [site visited Sep. 7, 2022]:URL:<[https://www.zazzle.com/honeycomb\\_bee\\_pattern\\_sunglasses-256557683347303764](https://www.zazzle.com/honeycomb_bee_pattern_sunglasses-256557683347303764)> (Year: 2021).\*

\* cited by examiner

FIG. 1

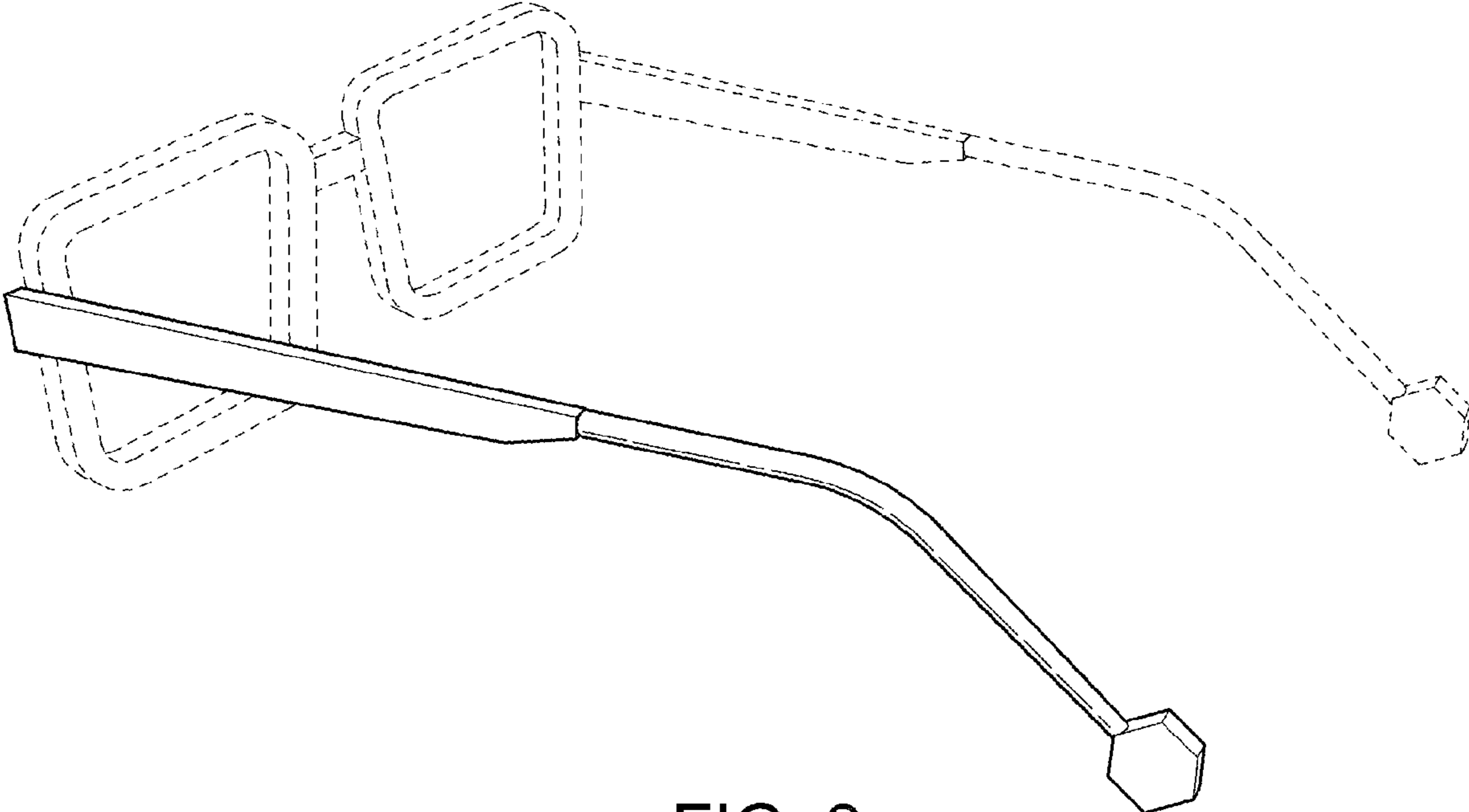


FIG. 2

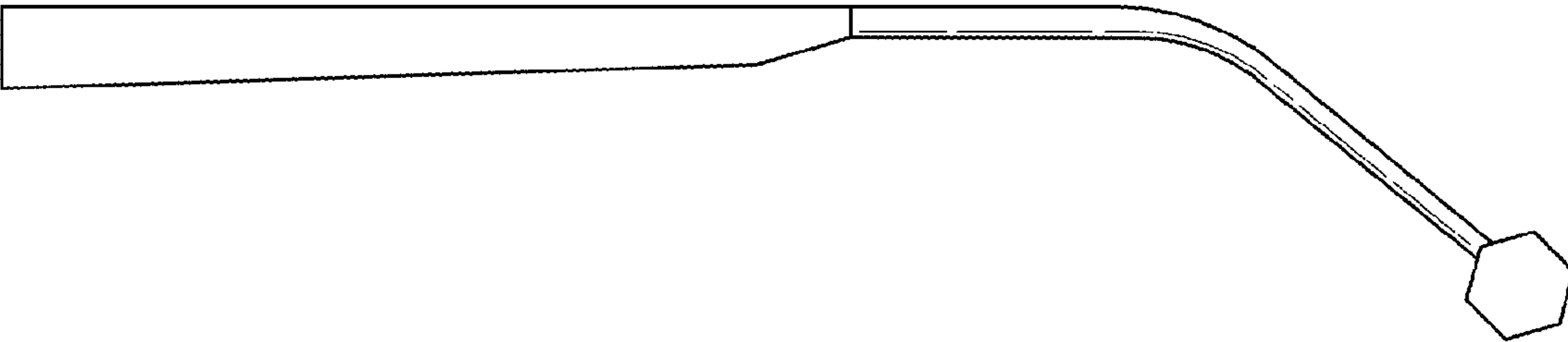


FIG. 3

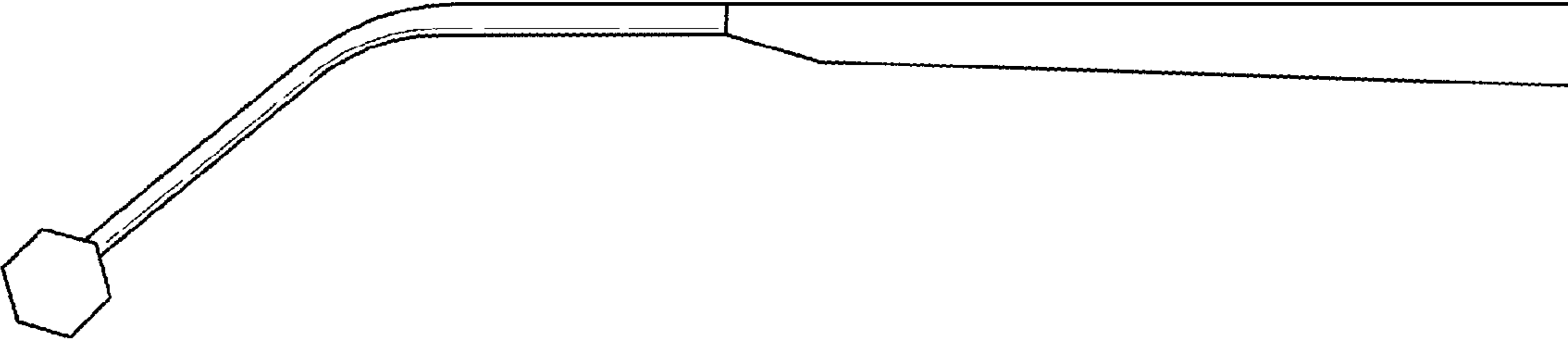


FIG. 4

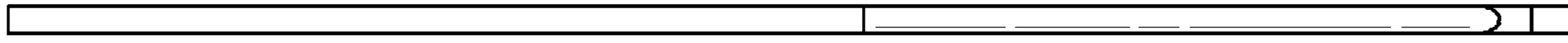


FIG. 5

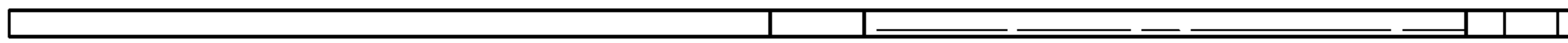


FIG. 6



FIG. 7



FIG. 8

