



US00D986953S

(12) **United States Design Patent** (10) **Patent No.:** **US D986,953 S**  
**Park** (45) **Date of Patent:** **\*\* \*May 23, 2023**

(54) **EYEGLASSES TEMPLE WITH SQUARE TEMPLE TIP**

D709,115 S \* 7/2014 Huschka ..... D16/101  
D710,418 S \* 8/2014 Huschka ..... D16/101  
D813,082 S \* 3/2018 Riviere ..... D11/81

(Continued)

(71) Applicant: **Min Gyu Park**, Busan (KR)

(72) Inventor: **Min Gyu Park**, Busan (KR)

(\*) Notice: This patent is subject to a terminal disclaimer.

(\*\*) Term: **15 Years**

(21) Appl. No.: **29/766,310**

(22) Filed: **Jan. 14, 2021**

(51) **LOC (14) Cl.** ..... **16-06**

(52) **U.S. Cl.**  
USPC ..... **D16/335**

(58) **Field of Classification Search**  
USPC ..... D14/372; D16/100, 300-342;  
D29/103-110  
CPC . G02C 5/14; G02C 5/22; G02C 5/143; G02C  
5/146; G02C 5/16; G02C 5/18; G02C  
5/20; G02C 7/16; G02C 7/165; G02C  
11/12; G02C 11/02; G02C 7/10; A61F  
9/00; A61F 9/027

See application file for complete search history.

(56) **References Cited**

**U.S. PATENT DOCUMENTS**

671,420 A \* 4/1901 Humphrey ..... A61N 1/0408  
351/158  
D121,893 S \* 8/1940 Doebrich ..... 351/136  
2,367,418 A \* 1/1945 Morrell ..... G02C 1/08  
351/110  
D216,337 S \* 12/1969 Simon ..... D16/317  
D249,799 S \* 10/1978 Zoltner ..... D16/331  
D559,887 S \* 1/2008 Wu ..... D16/315  
D568,369 S \* 5/2008 Della Valle ..... D16/326  
D705,324 S \* 5/2014 Huschka ..... D16/101  
D708,242 S \* 7/2014 Huschka ..... D16/101

**FOREIGN PATENT DOCUMENTS**

CN 306285404 \* 1/2021  
EM 001269088-0003 \* 5/2011  
KR 300886089.0000 \* 12/2016

**OTHER PUBLICATIONS**

Womens Oversized Rectangular Rhinestone Encrusted Chain Arm Fashion Sunglasses, product availability unknown [online], picture review Feb. 20, 2020 [online], [site visited Sep. 7, 2022]:URL:<[https://www.amazon.com/gp/product/B00QMVVWRG/ref=ox\\_sc\\_act\\_image\\_1?smid=A1UOX19RLI5V4&th=1](https://www.amazon.com/gp/product/B00QMVVWRG/ref=ox_sc_act_image_1?smid=A1UOX19RLI5V4&th=1)> (Year: 2020).\*

(Continued)

*Primary Examiner* — Bao-Yen T Nguyen  
*Assistant Examiner* — Loryn K. Leblanc  
(74) *Attorney, Agent, or Firm* — IPLA P.A.

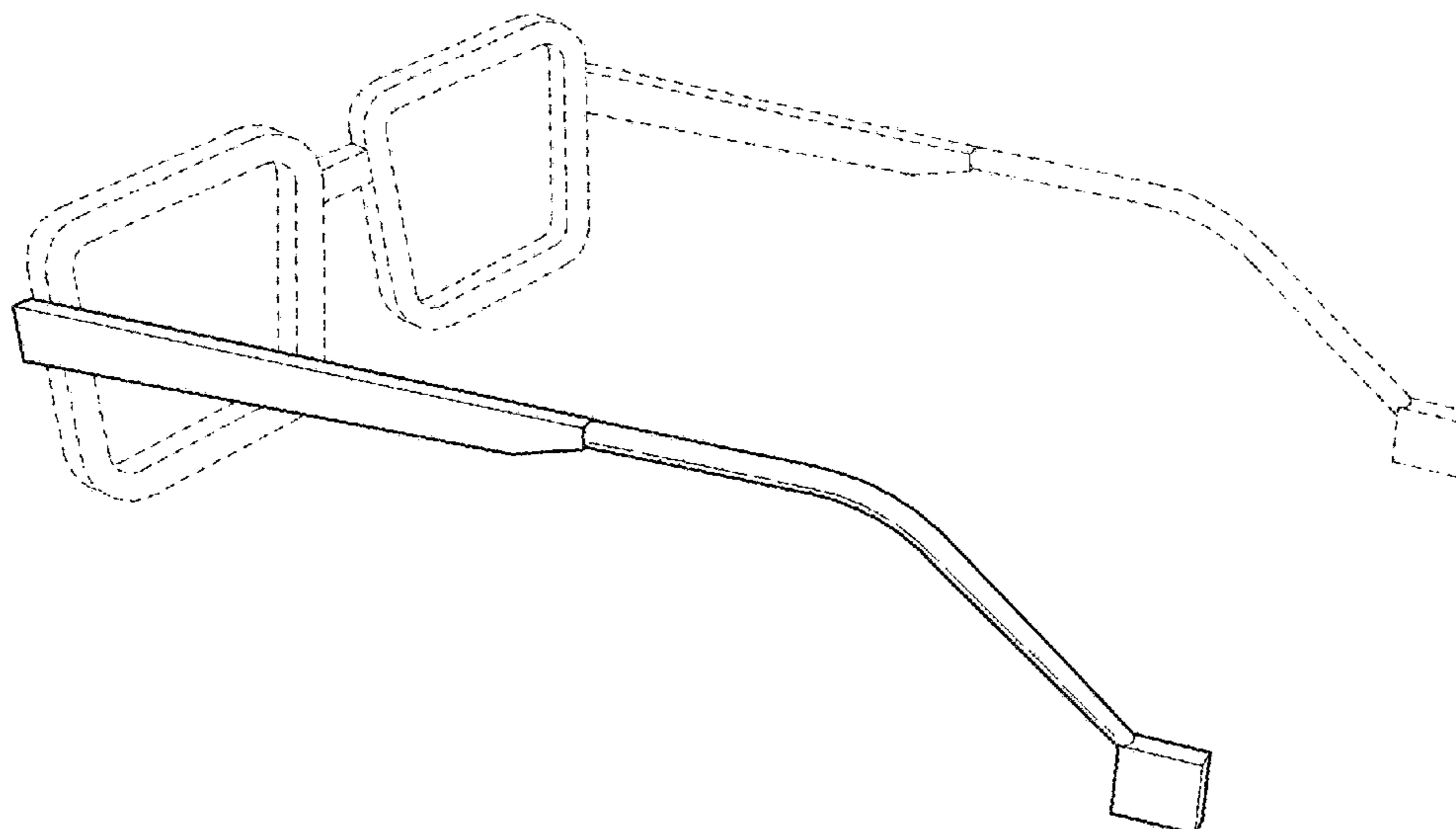
(57) **CLAIM**

The ornamental design for an eyeglasses temple with square temple tip, as shown and described.

**DESCRIPTION**

FIG. 1 is a perspective view of my new design showing an eyeglasses temple with square temple tip; FIG. 2 is a front elevation view there thereof; FIG. 3 is a rear elevation view thereof; FIG. 4 is a top plan view thereof; FIG. 5 is a bottom plan view thereof; FIG. 6 is a left side elevation view thereof; FIG. 7 is a right side elevation view thereof; and, FIG. 8 is another perspective view of my new design showing an eyeglasses temple with square temple tip. The broken lines shown in the drawings are for the purpose of illustrating environment and form no part of the claimed design.

**1 Claim, 2 Drawing Sheets**



(56)

**References Cited**

U.S. PATENT DOCUMENTS

D857,086 S \* 8/2019 Harmon ..... D16/300  
11,221,503 B2 \* 1/2022 Batash ..... G02C 11/02  
2007/0216855 A1 \* 9/2007 Tabacchi ..... G02C 1/04  
351/106  
2009/0252360 A1 \* 10/2009 Sipkema ..... G02C 11/06  
381/327  
2020/0278563 A1 \* 9/2020 Shalon ..... G02C 5/08  
2022/0155617 A1 \* 5/2022 De Smet ..... G02C 5/08

OTHER PUBLICATIONS

Karsaer Vision Oversized Square Flat Top Sunglasses, product availability unknown [online], video review Apr. 28, 2020 [online], [site visited Sep. 7, 2022]:URL:<[https://www.amazon.com/gp/product/B09TT6CH5R/ref=sw\\_img\\_1?smid=A2K01TWIR113BP&psc=1](https://www.amazon.com/gp/product/B09TT6CH5R/ref=sw_img_1?smid=A2K01TWIR113BP&psc=1)> (Year: 2020).\*

\* cited by examiner

FIG. 1

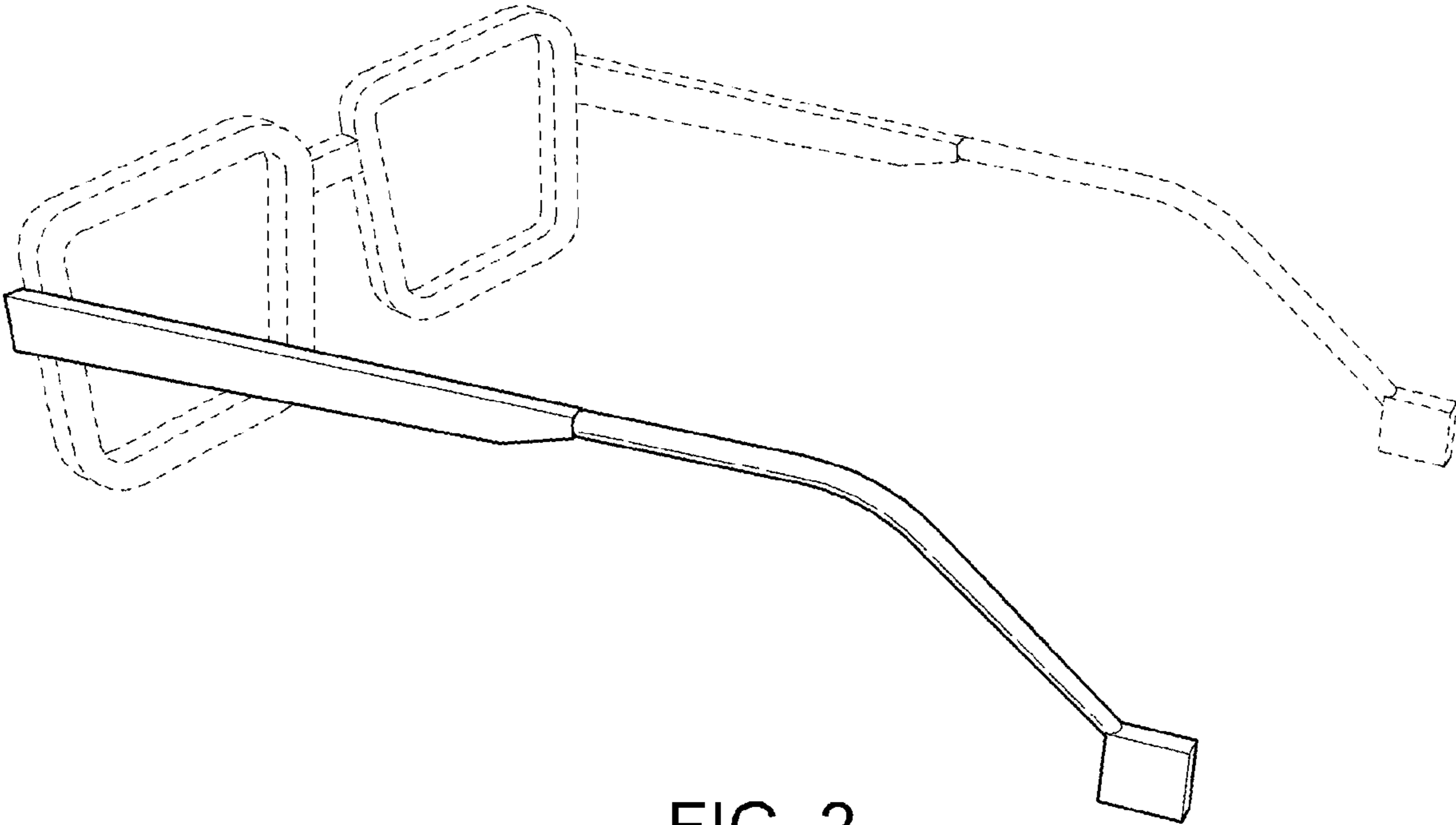


FIG. 2

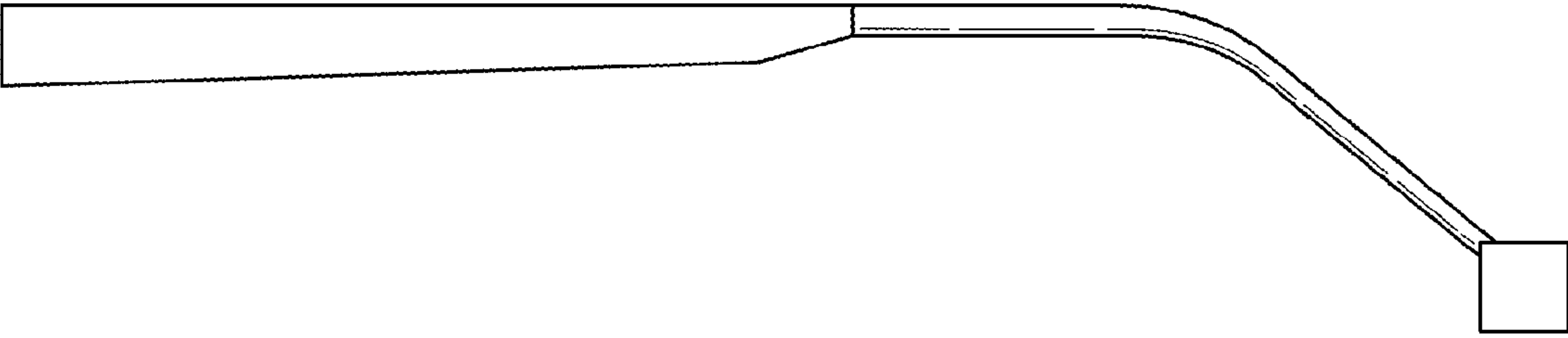


FIG. 3

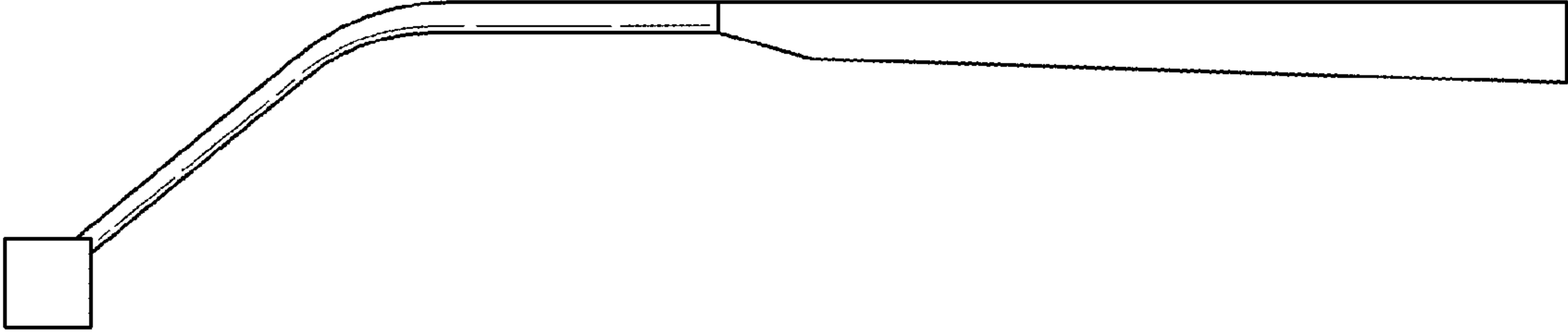


FIG. 4

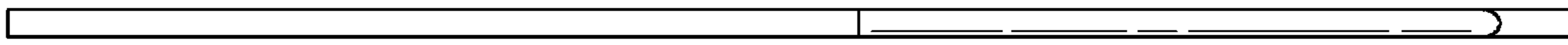


FIG. 5

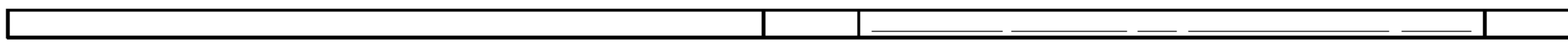


FIG. 6

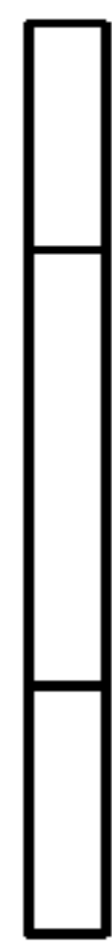


FIG. 7



FIG. 8

