



US00D986952S

(12) **United States Design Patent**
Chen

(10) **Patent No.:** **US D986,952 S**

(45) **Date of Patent:** **** May 23, 2023**

- (54) **NIGHT VISION GOGGLES**
- (71) Applicant: **Gaodi Digital (Qingdao) Co., Ltd.**,
Qingdao (CN)
- (72) Inventor: **Zhujun Chen**, Qingdao (CN)
- (73) Assignee: **Gaodi Digital (Qingdao) Co., Ltd.**,
Qingdao (CN)

4,809,942 A * 3/1989 Kastendieck A42B 3/042
248/222.13
4,987,608 A * 1/1991 Cobb A42B 3/04
2/6.2
D352,727 S 11/1994 Dor
5,467,479 A * 11/1995 Mattes A42B 3/04
2/6.3

(Continued)

- (**) Term: **15 Years**
- (21) Appl. No.: **29/816,656**
- (22) Filed: **Nov. 23, 2021**

(30) **Foreign Application Priority Data**

Nov. 21, 2021 (EM) 008765648-0001

- (51) **LOC (14) Cl.** **16-06**
- (52) **U.S. Cl.**
USPC **D16/133**
- (58) **Field of Classification Search**
USPC D16/300, 301, 303, 311, 312, 133
CPC G02B 23/125
See application file for complete search history.

(56) **References Cited**

U.S. PATENT DOCUMENTS

2,270,931 A * 1/1942 Corcoran F16M 13/04
224/909
2,757,574 A * 8/1956 Thorburn G02B 25/004
362/268
2,848,924 A * 8/1958 Potez A42B 3/04
359/411
4,670,912 A * 6/1987 Hart G02B 23/125
2/6.1
4,697,783 A * 10/1987 Kastendieck A42B 3/042
403/321
4,703,879 A * 11/1987 Kastendieck A61F 9/027
359/477

OTHER PUBLICATIONS

Dsoon Digital Infrared Night Vision Goggles, posted at amazon.com, posting date Mar. 29, 2022, [online], [site visited Jan. 13, 2023], Available from Internet, URL: <https://www.amazon.com/Dsoon-Hands-Free-Binocular-Rechargeable-Recording/dp/B09WQKWB74?th=1> (Year: 2022).*

(Continued)

Primary Examiner — Maria J. Edwards

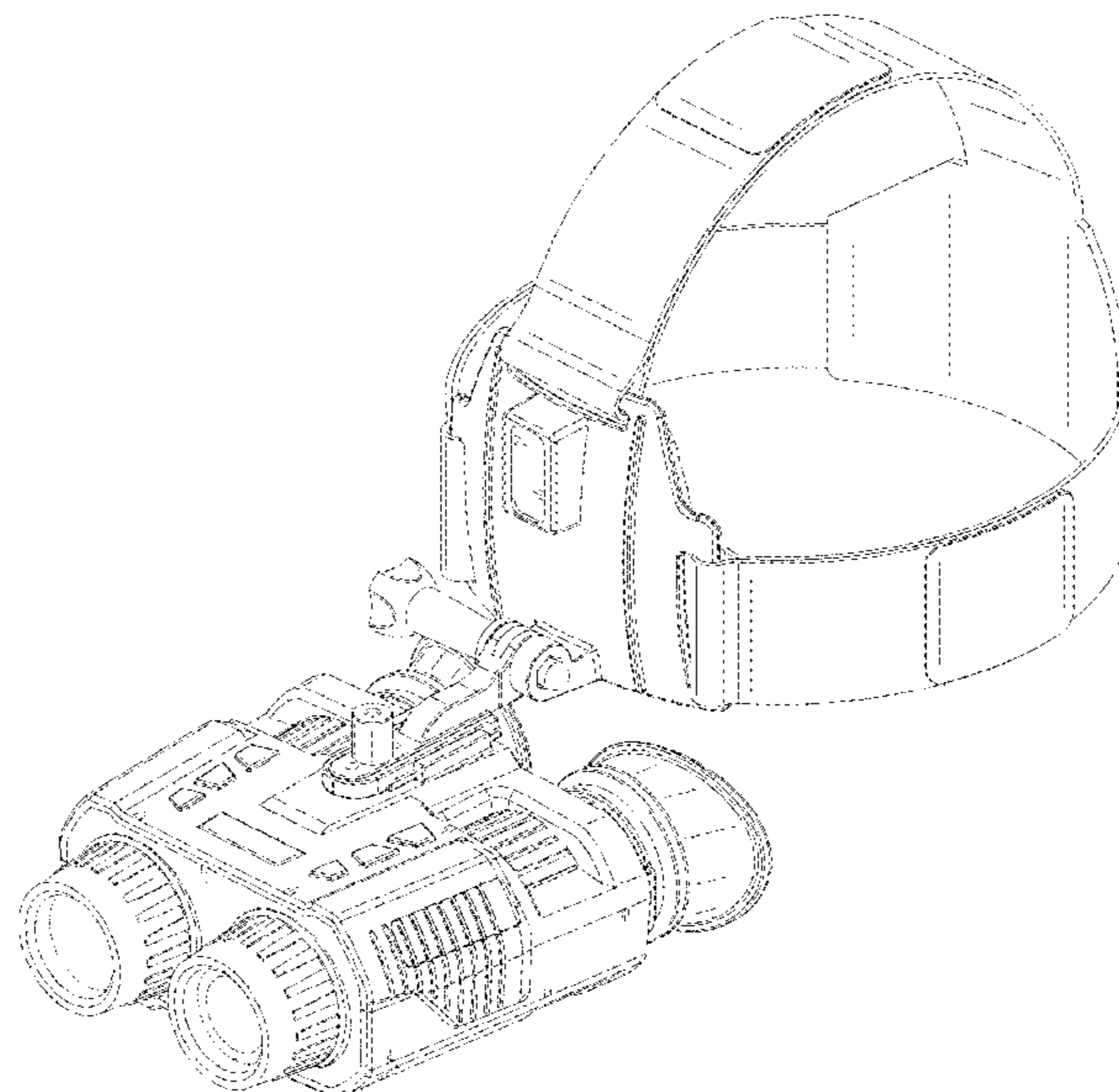
(57) **CLAIM**

The ornamental design for a night vision goggles, as shown and described.

DESCRIPTION

FIG. 1 is a perspective view of a night vision goggles showing my new design;
FIG. 2 is another perspective view of the night vision goggles shown in FIG. 1;
FIG. 3 is a front elevational view thereof;
FIG. 4 is a rear elevational view thereof;
FIG. 5 is a left side elevational view thereof;
FIG. 6 is a right side elevational view thereof;
FIG. 7 is a top plan view thereof;
FIG. 8 is a bottom plan view thereof; and,
FIG. 9 is a perspective view of the night vision goggles shown in a second state for clarity of disclosure.
The broken lines in the drawings depict portions of the night vision goggles that form no part of the claimed design.

1 Claim, 9 Drawing Sheets



(56)

References Cited

U.S. PATENT DOCUMENTS

5,469,578 A * 11/1995 Mattes G02B 23/125
2/6.7
D390,581 S 2/1998 Palmer
D390,582 S 2/1998 Palmer
D503,188 S * 3/2005 Lin D16/311
D827,015 S * 8/2018 Chen D16/312
D850,507 S 6/2019 Sun
D907,688 S * 1/2021 Du D16/301
D941,901 S * 1/2022 Chen D16/133
D965,657 S * 10/2022 Chen D16/133
D970,578 S * 11/2022 Chen D16/133

OTHER PUBLICATIONS

Nightfox Swift Night Vision Goggles, posted at amazon.com, posting date May 21, 2020, [online], [site visited Jan. 13, 2023], Available from Internet, URL: <https://www.amazon.com/Nightfox-Goggles-Infrared-Magnification-Rechargeable/dp/B088ZQ6B64> (Year: 2020).*

Nightstar Head Mounted Night Vision Binoculars, posted at amazon.com, posting date Nov. 2, 2016, [online], [site visited Jan. 13, 2023], Available from Internet, URL: <https://www.amazon.com/NightStar-Vision-Mounted-Binoculars-NS42120C/dp/B01MDUJ5CU> (Year: 2016).*

* cited by examiner

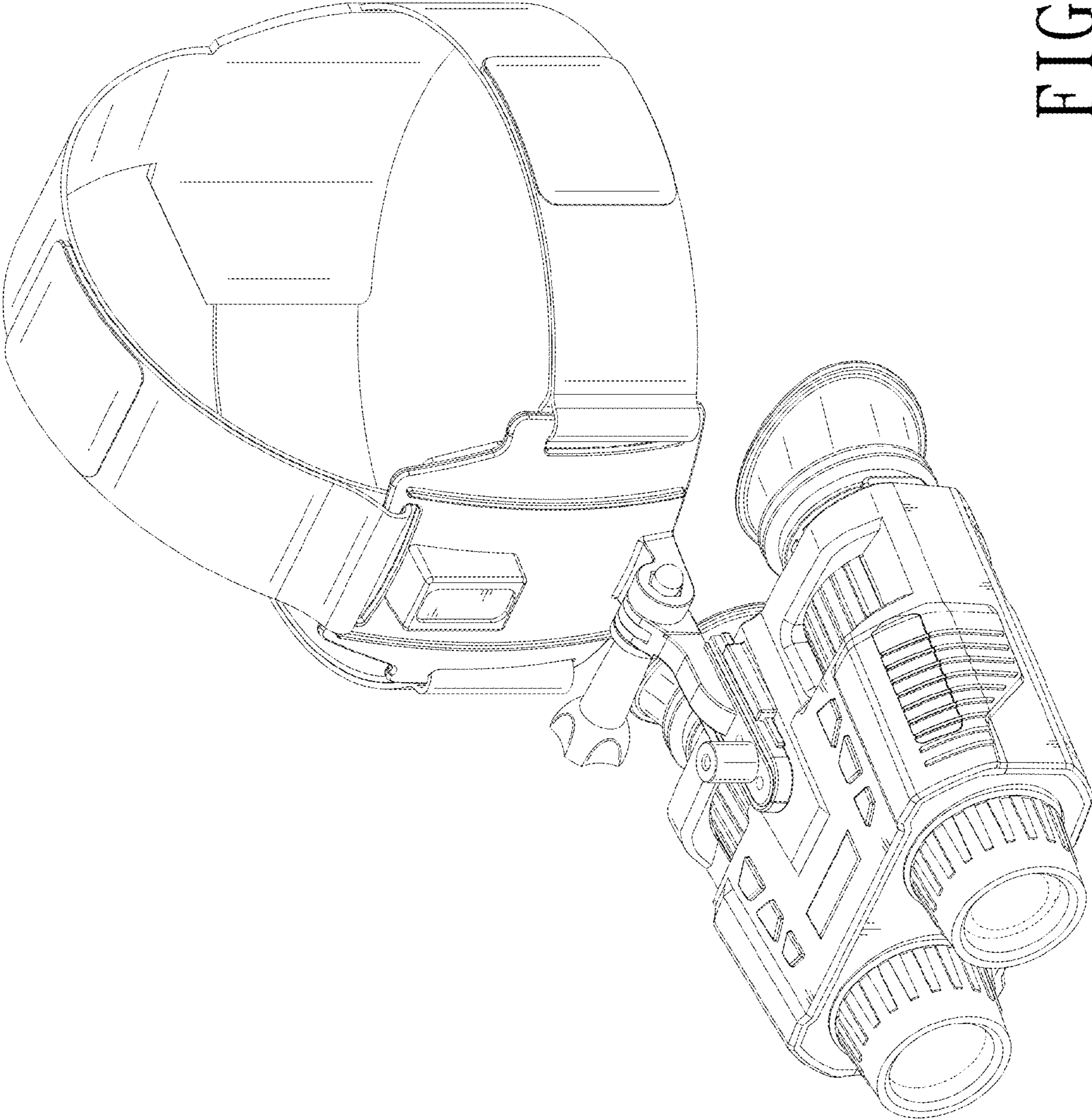


FIG. 1

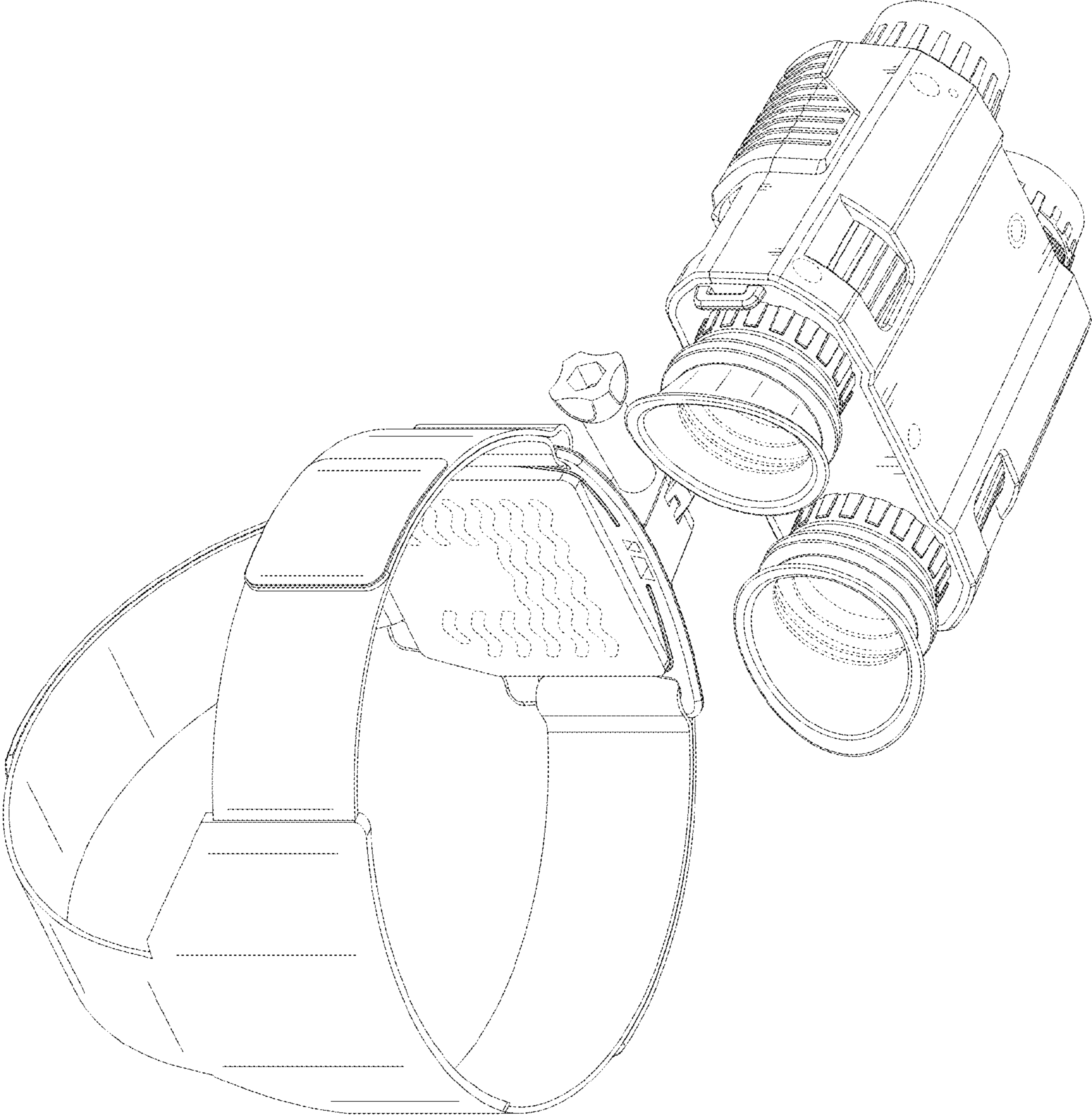


FIG. 2

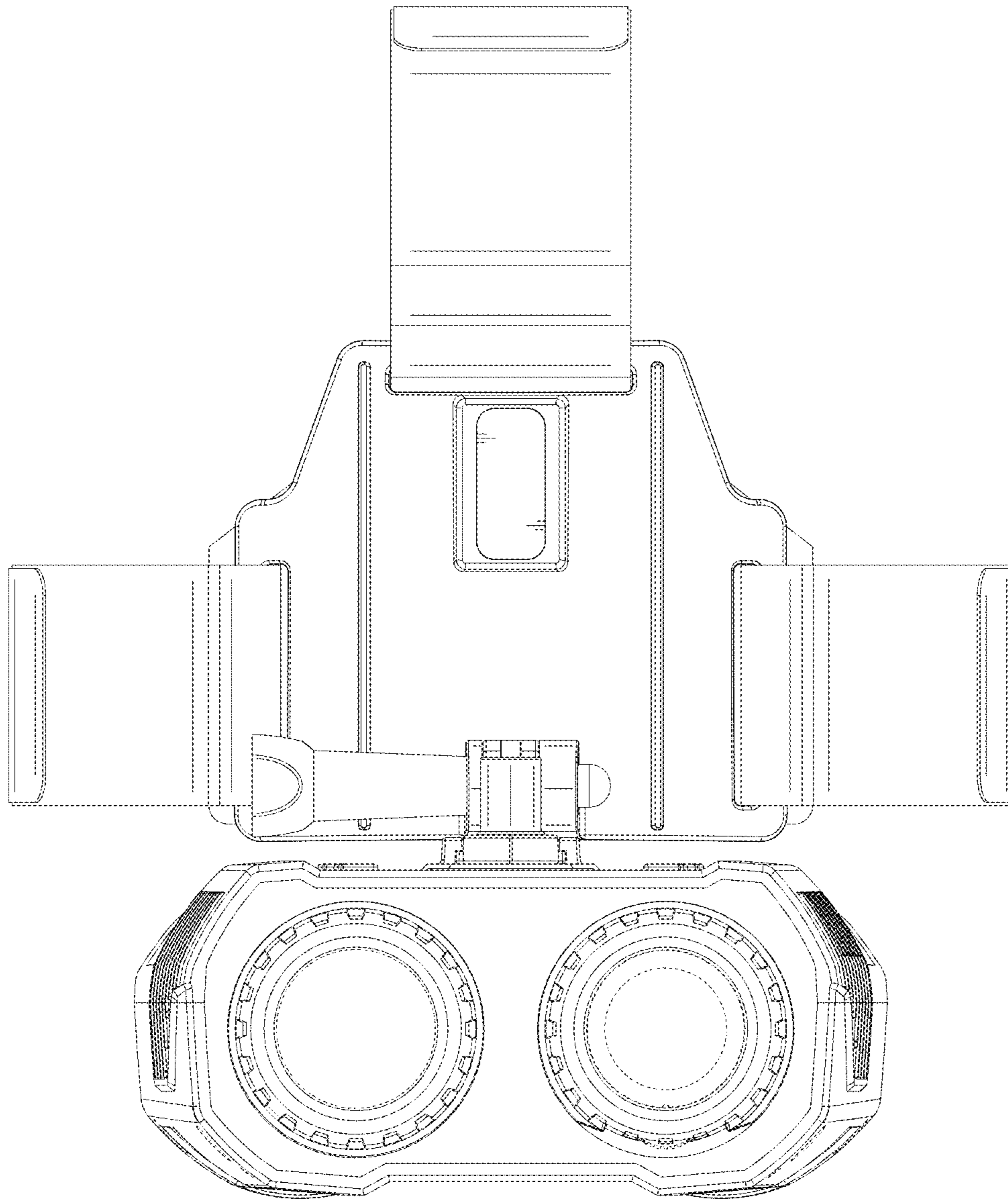


FIG. 3

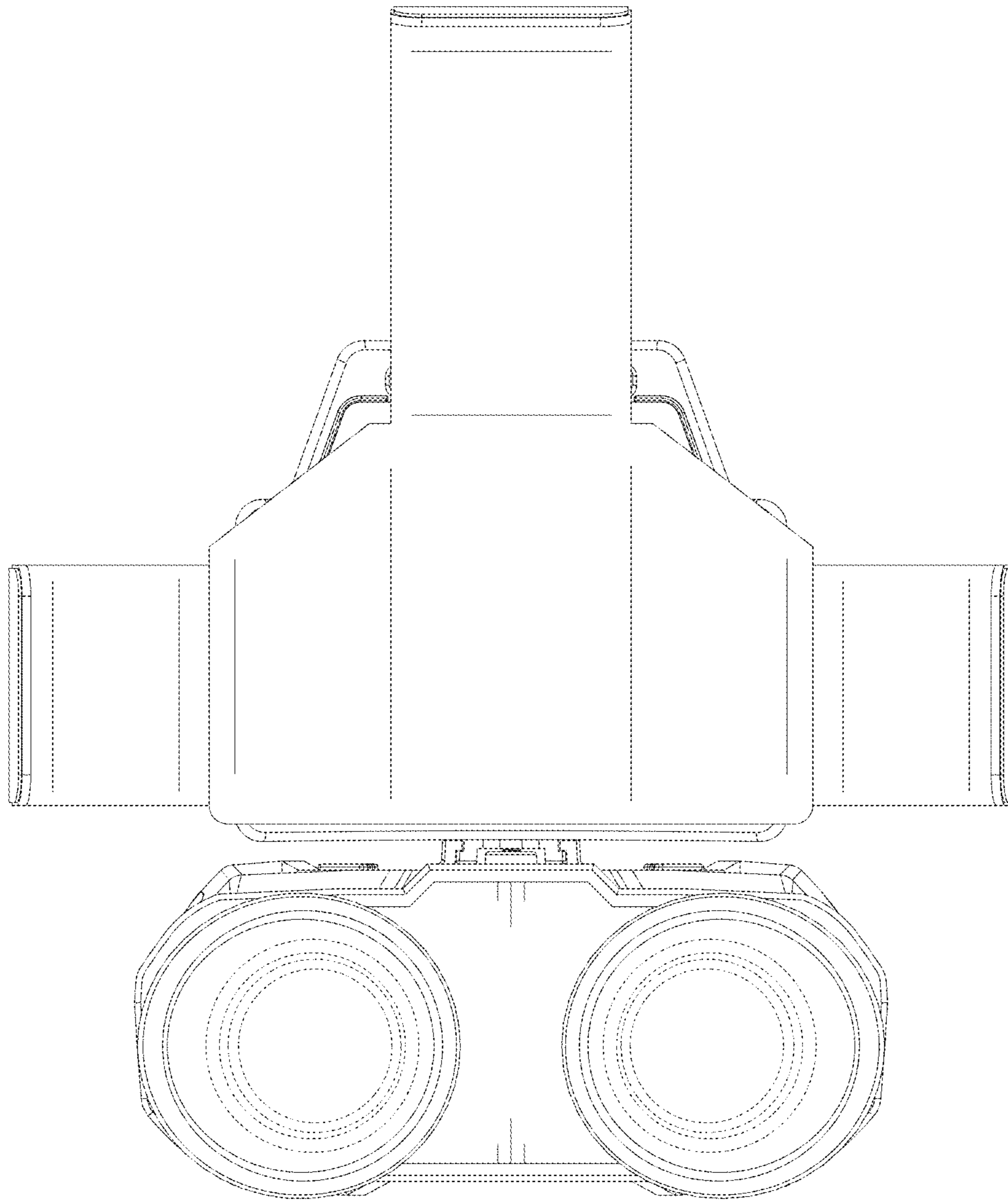


FIG. 4

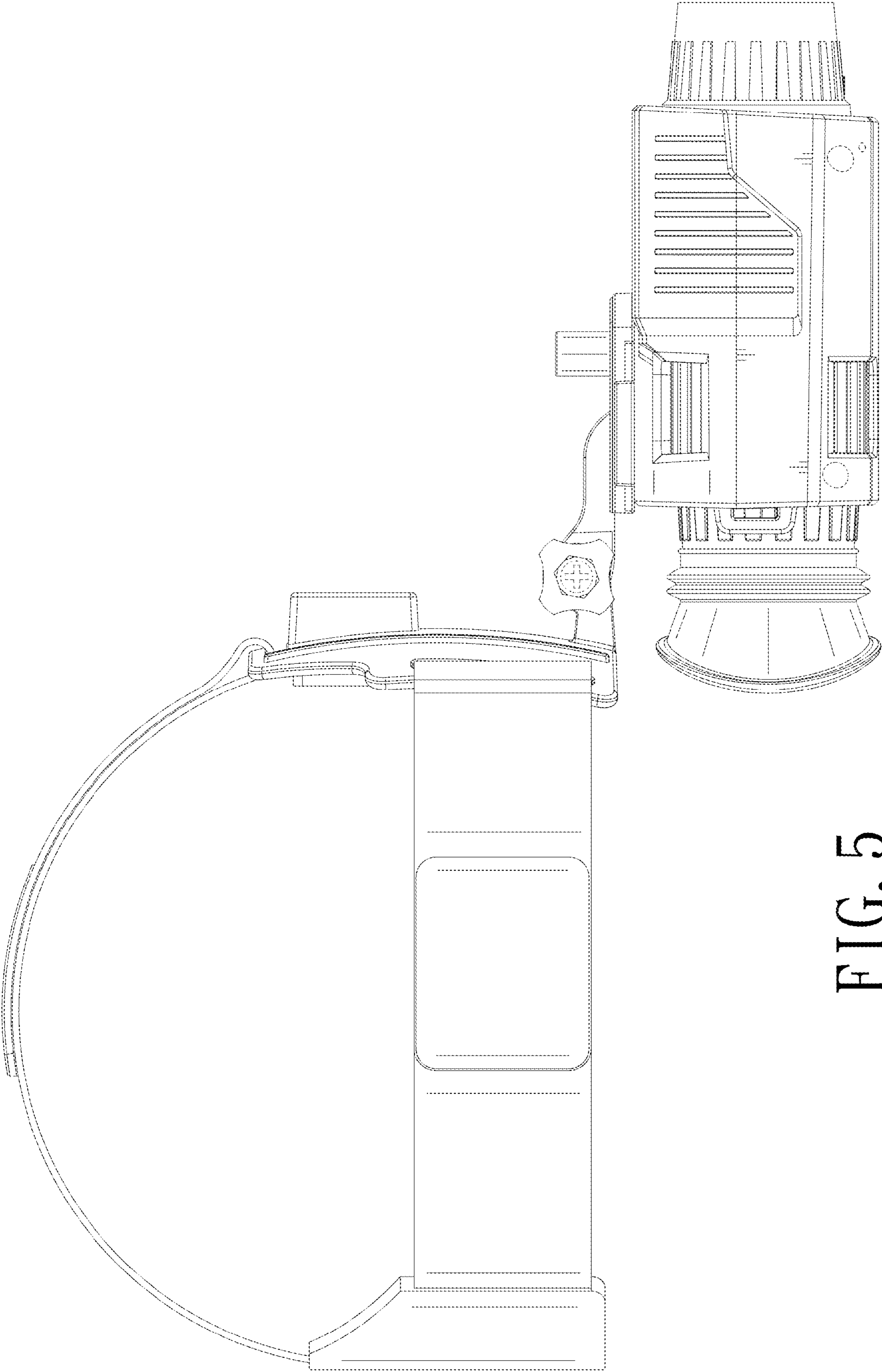


FIG. 5

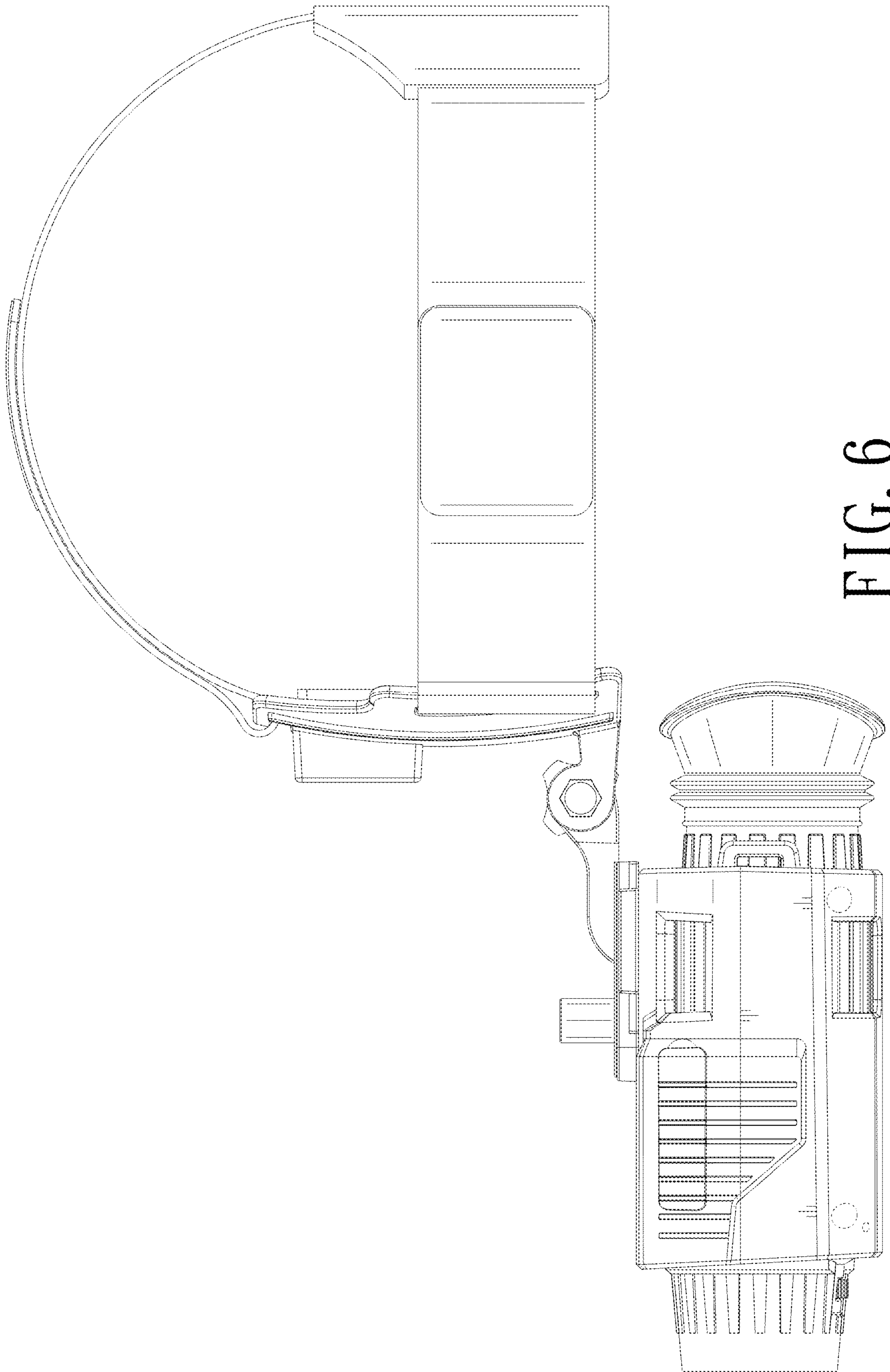


FIG. 6

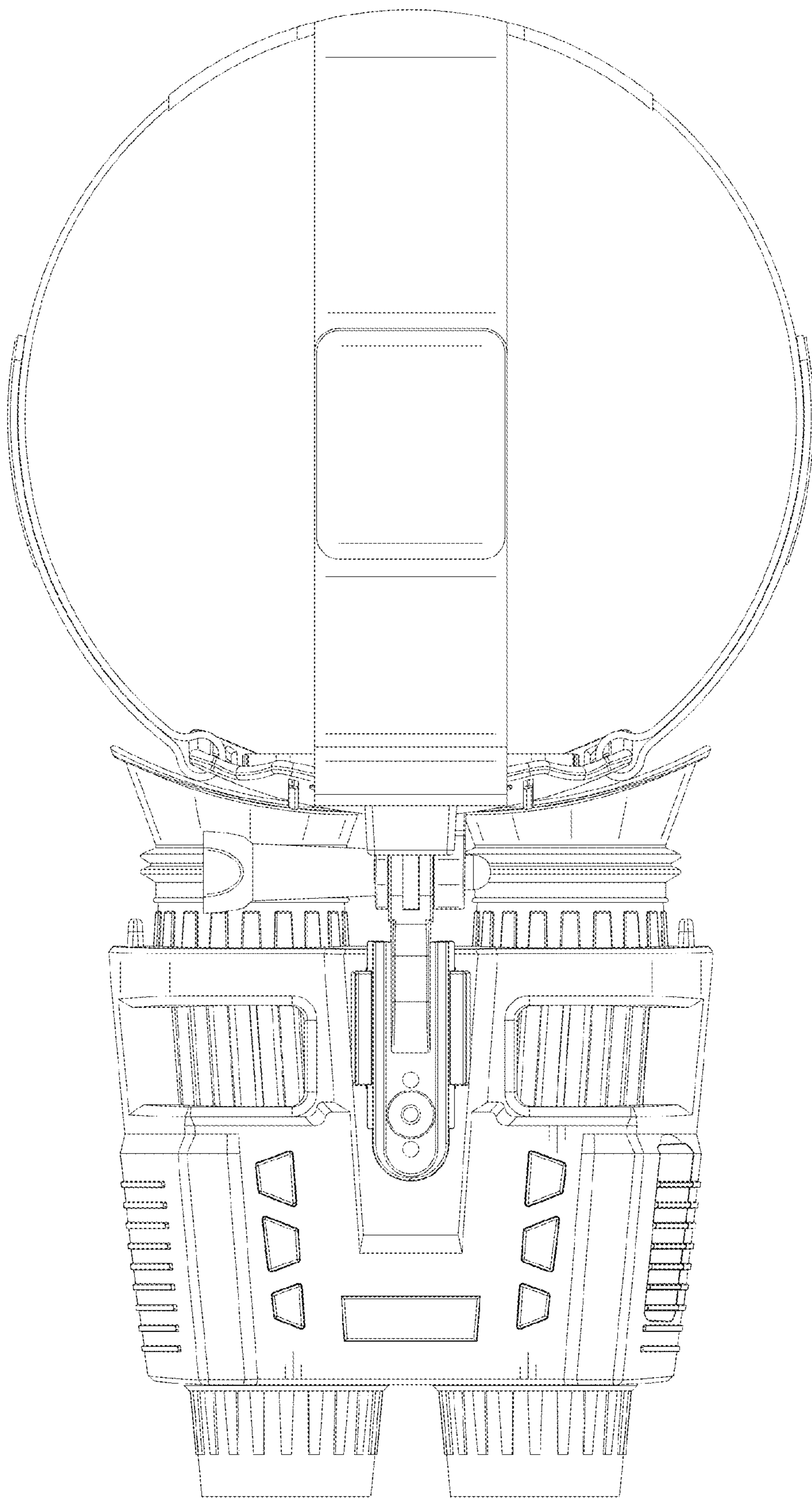


FIG. 7

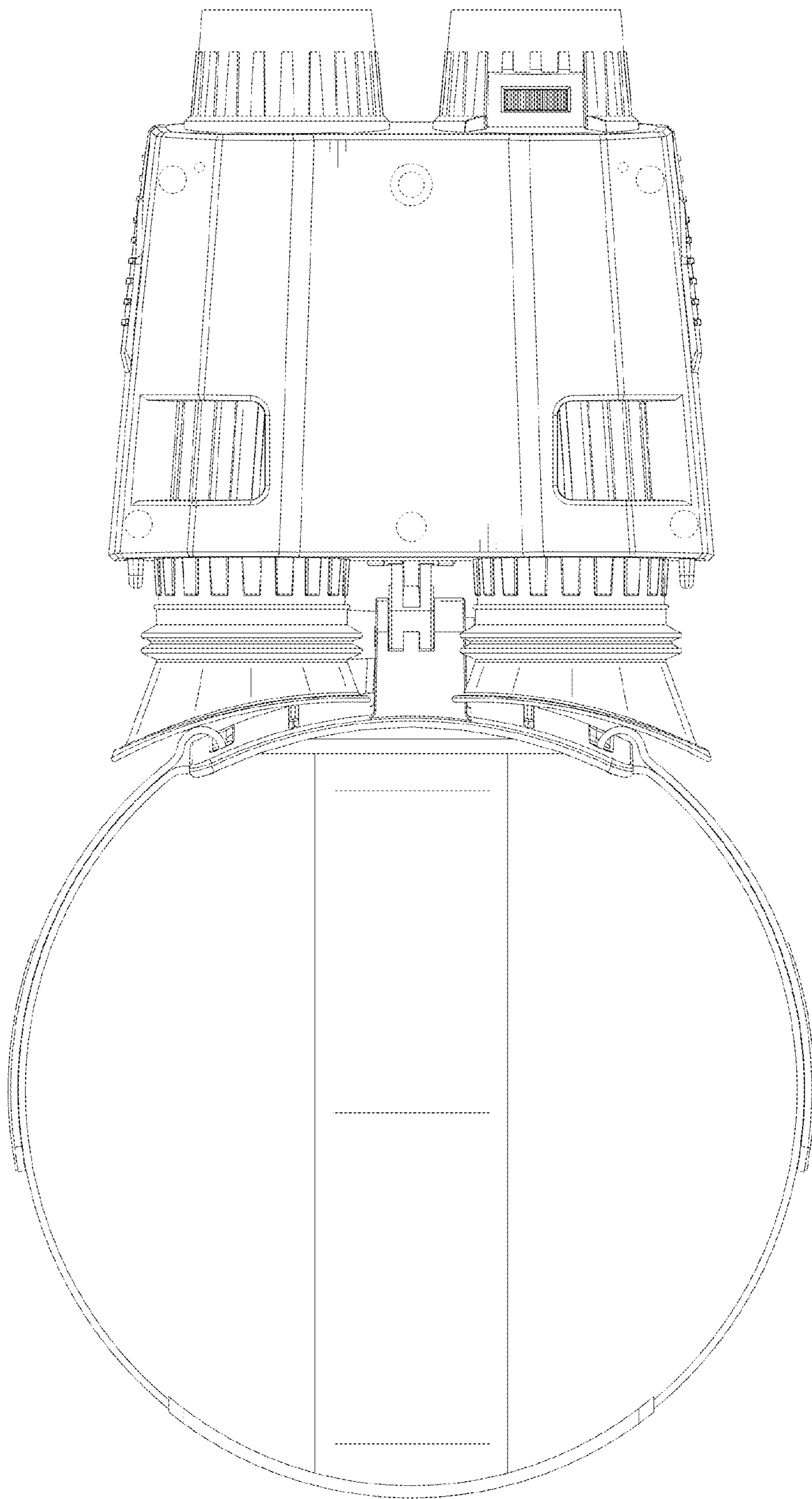


FIG. 8

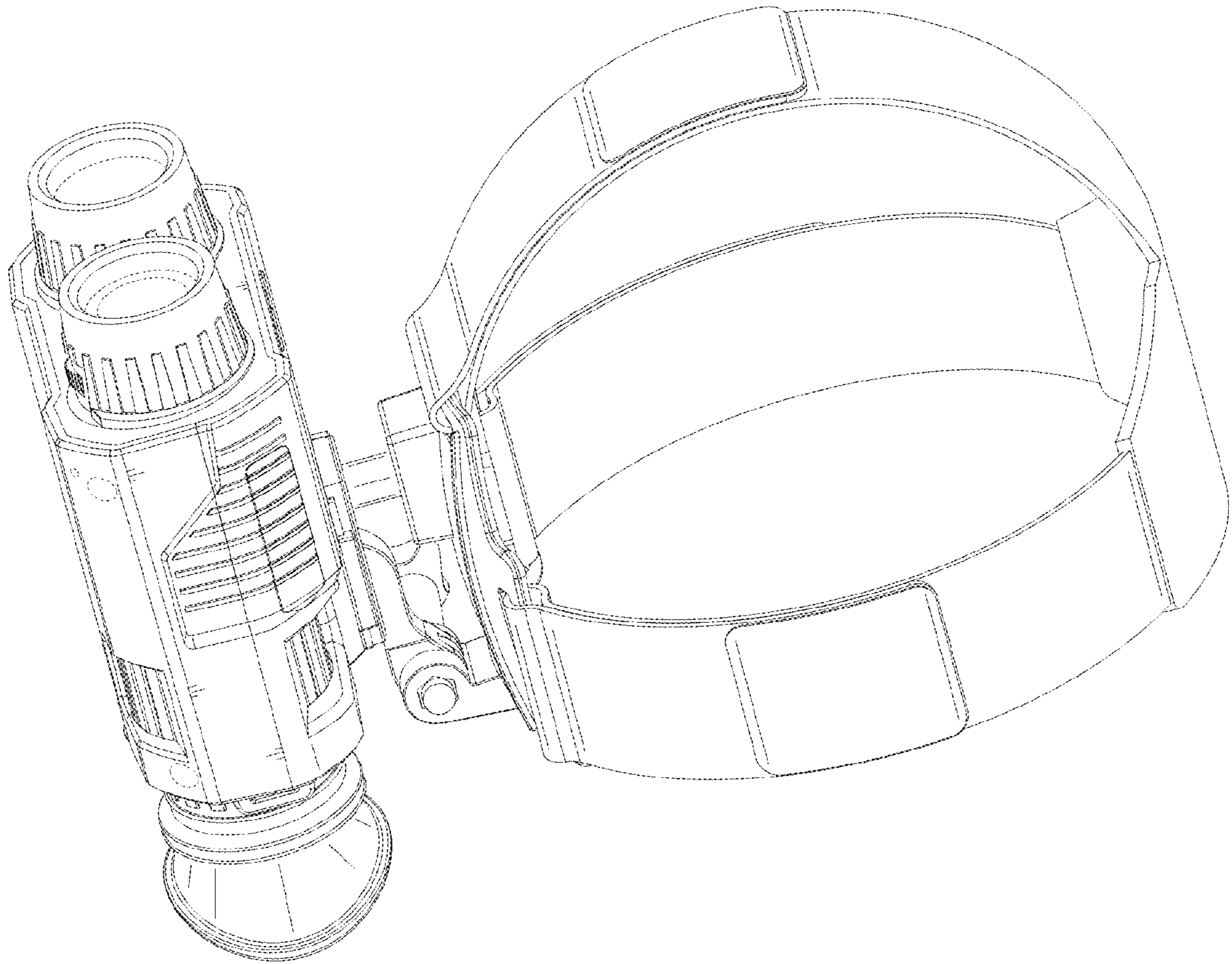


FIG. 9