



US00D986951S

(12) **United States Design Patent**
Ma

(10) **Patent No.:** **US D986,951 S**

(45) **Date of Patent:** **** May 23, 2023**

(54) **SUNGLASSES**

(71) Applicant: **Zanyong Ma**, Rugao (CN)

(72) Inventor: **Zanyong Ma**, Rugao (CN)

(**) Term: **15 Years**

(21) Appl. No.: **29/784,293**

(22) Filed: **May 19, 2021**

(51) **LOC (14) Cl.** **16-06**

(52) **U.S. Cl.**
USPC **D16/313**

(58) **Field of Classification Search**
USPC D16/100, 101, 300, 301, 313–315,
D16/319–330, 332–335; D14/372
CPC G02C 2200/08; G02C 5/14; G02C 5/008;
G02C 7/10
See application file for complete search history.

(56) **References Cited**

U.S. PATENT DOCUMENTS

D557,326 S	*	12/2007	Jannard	D16/326
D572,745 S	*	7/2008	Moritz	D16/313
D650,825 S	*	12/2011	Yee	D16/325
D723,092 S	*	2/2015	Markovitz	D16/300
D725,696 S	*	3/2015	Garfias	D16/335
D727,407 S	*	4/2015	Yoo	D16/335
D774,123 S	*	12/2016	Chae	D16/313
D818,521 S	*	5/2018	Markovitz	D16/325
D829,271 S	*	9/2018	Thixton	D16/330
D842,363 S	*	3/2019	Chae	D16/313
D849,823 S	*	5/2019	Canales	D16/313
D870,789 S	*	12/2019	Blanchard	D16/101
D918,994 S	*	5/2021	Kim	D16/335
D934,330 S	*	10/2021	Zhang	D16/313

D934,331 S	*	10/2021	Gong	D16/313
D949,957 S	*	4/2022	Lin	D16/326
D960,230 S	*	8/2022	Zhang	D16/325
D962,330 S	*	8/2022	Liao	D16/313

OTHER PUBLICATIONS

“Elax Cycling Glasses,” reviewed May 13, 2022, retrieved Nov. 9, 2022 from <https://www.aliexpress.us/item/3256802972737271.html>? (Year: 2022).*

“Rockbros Polarized Cycling Sunglasses,” first available Apr. 20, 2020, reviewed Jul. 15, 2020, retrieved Nov. 9, 2022 from <https://www.amazon.com/ROCK-BROS-Polarized-Sunglasses-protection/dp/B08B8NKBH8?th=1> (Year: 2020).*

* cited by examiner

Primary Examiner — Maria J. Edwards

Assistant Examiner — Dina Michelle Hoeynck

(57) **CLAIM**

The ornamental design for sunglasses, as shown and described.

DESCRIPTION

FIG. 1 is a perspective view of the sunglasses showing my new design;

FIG. 2 is a front elevation view thereof;

FIG. 3 is a rear elevation view thereof;

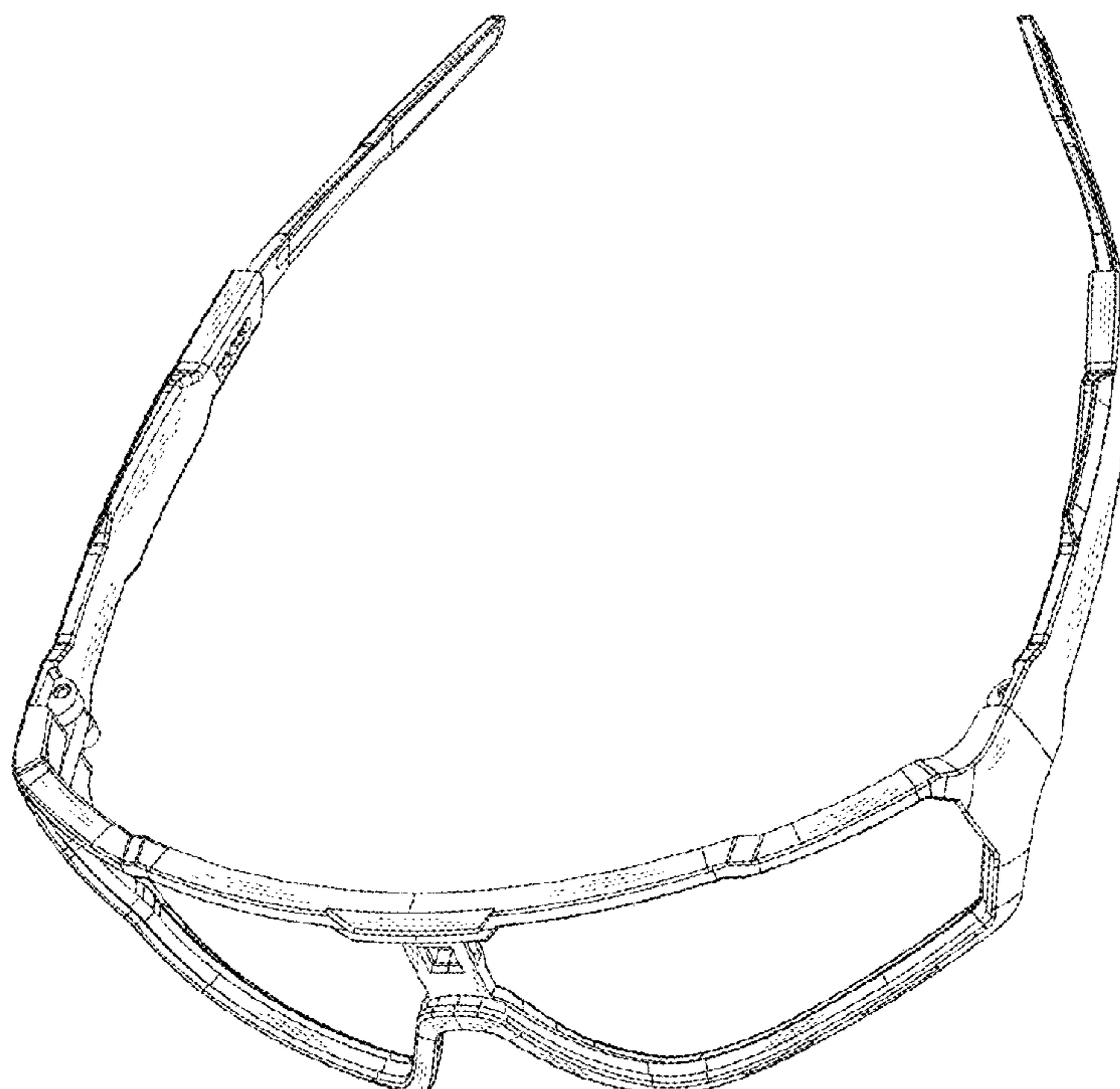
FIG. 4 is a left side elevation view thereof;

FIG. 5 is a right side elevation view thereof;

FIG. 6 is a top plan view thereof; and,

FIG. 7 is a bottom plan view thereof.

1 Claim, 7 Drawing Sheets



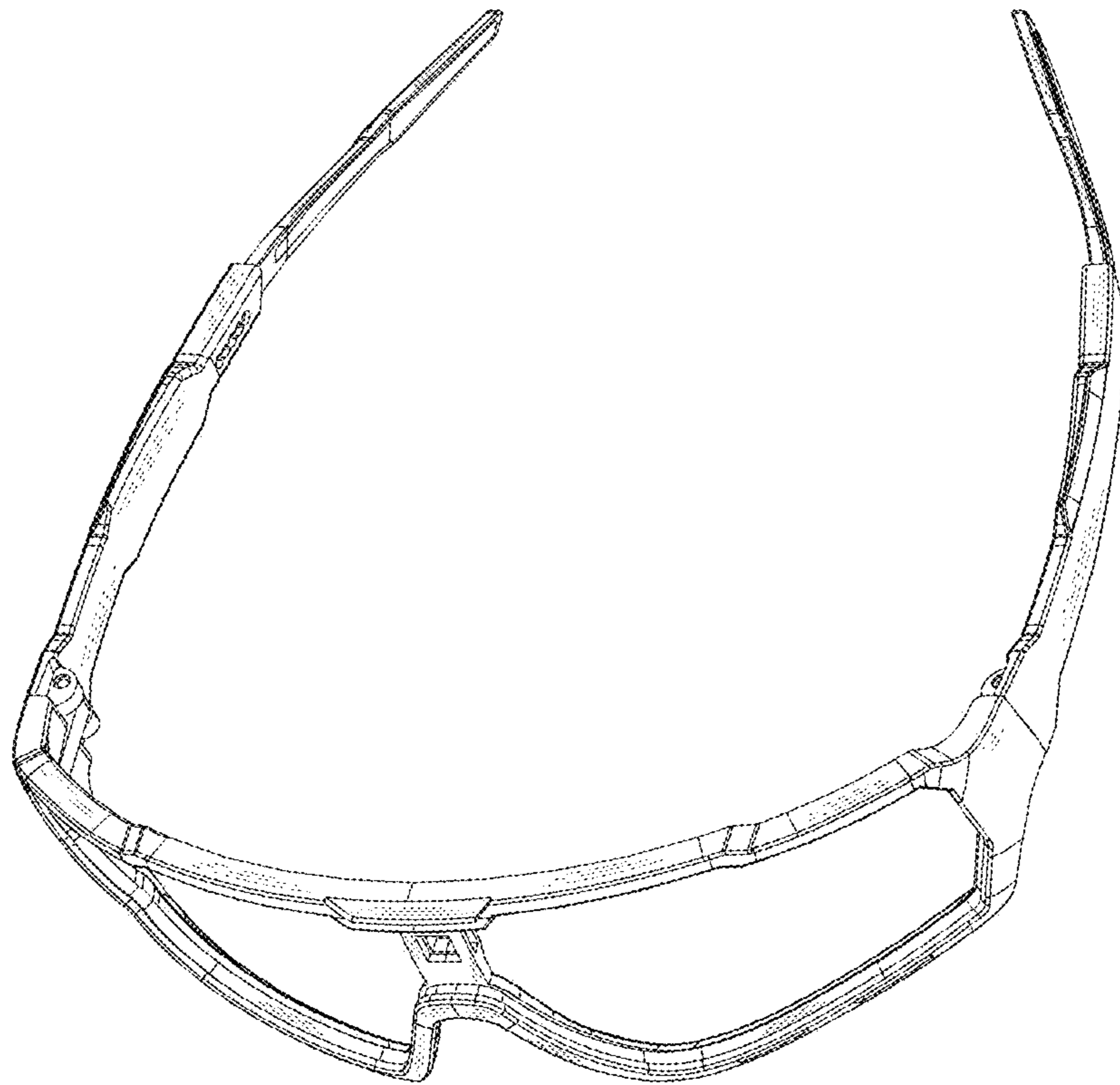


FIG. 1

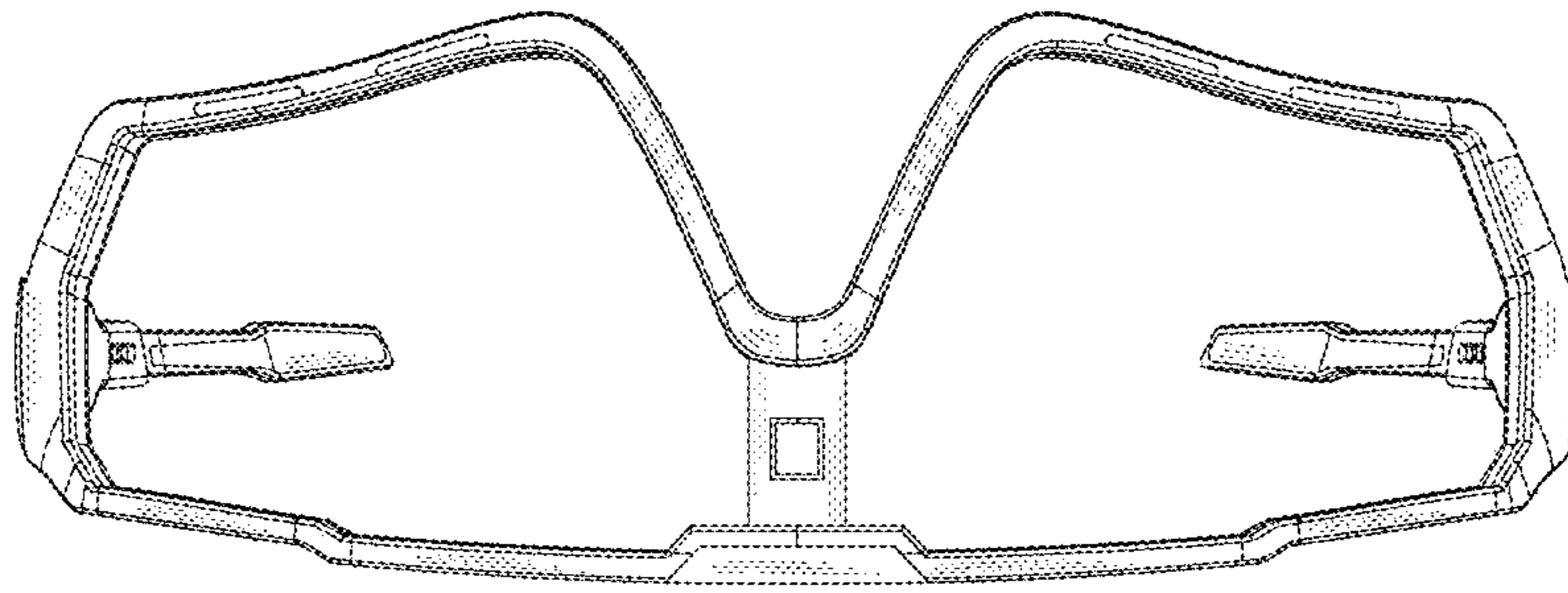


FIG. 2

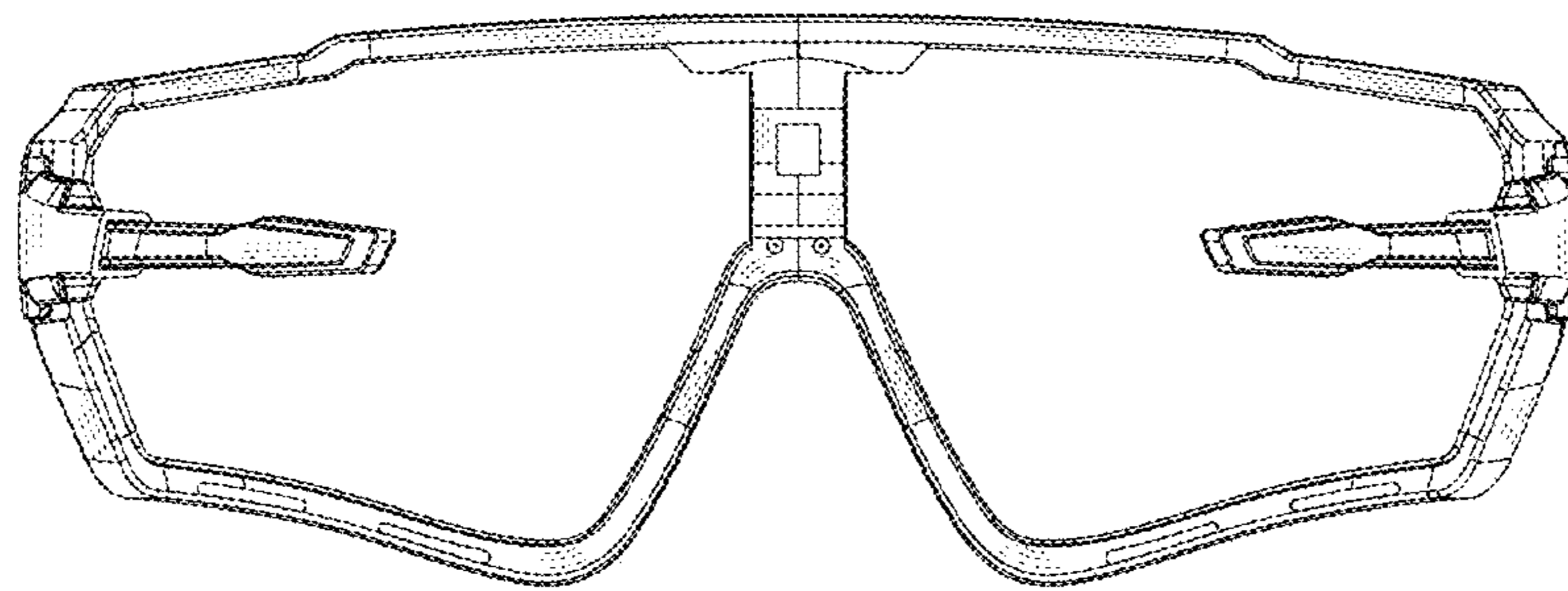


FIG. 3

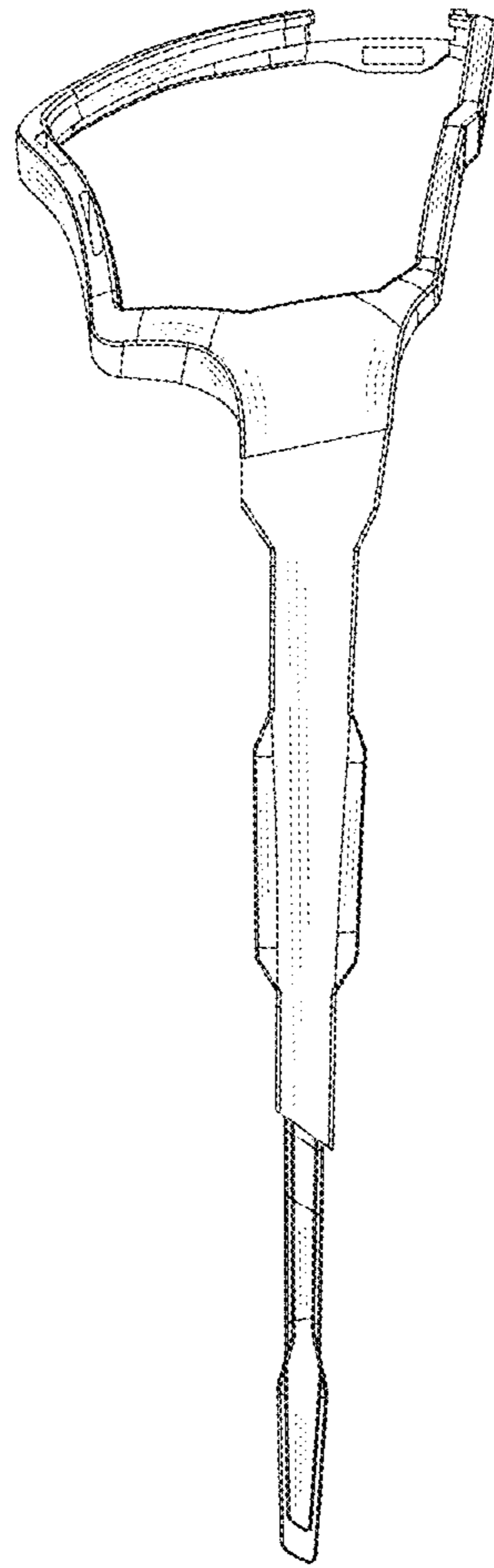


FIG. 4

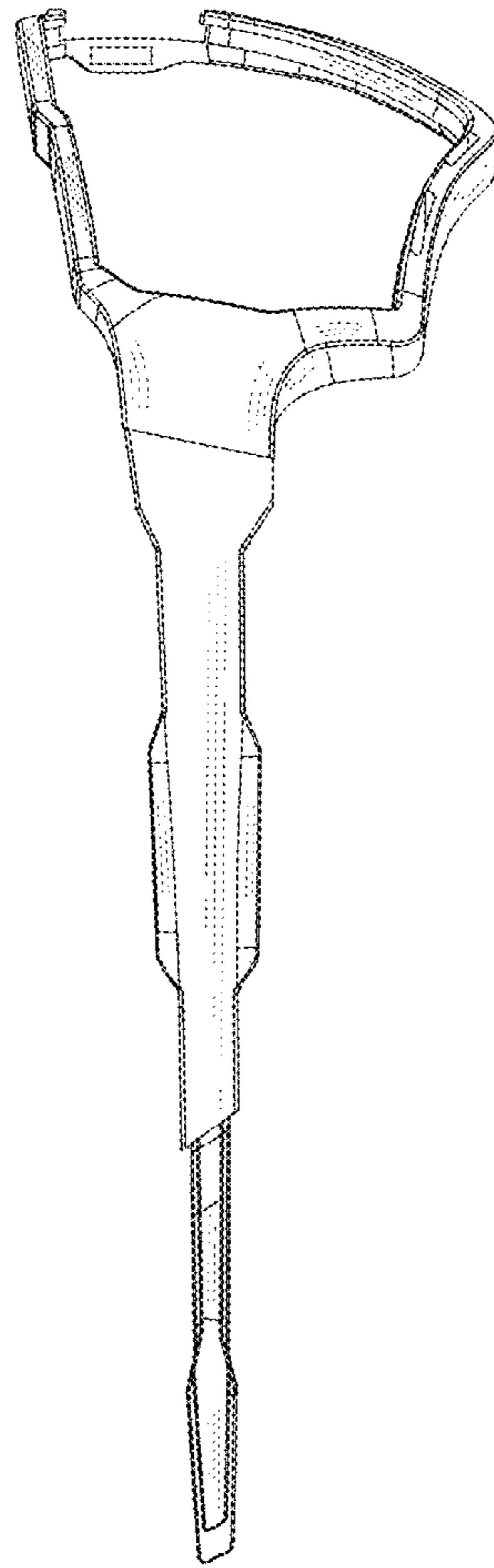


FIG. 5

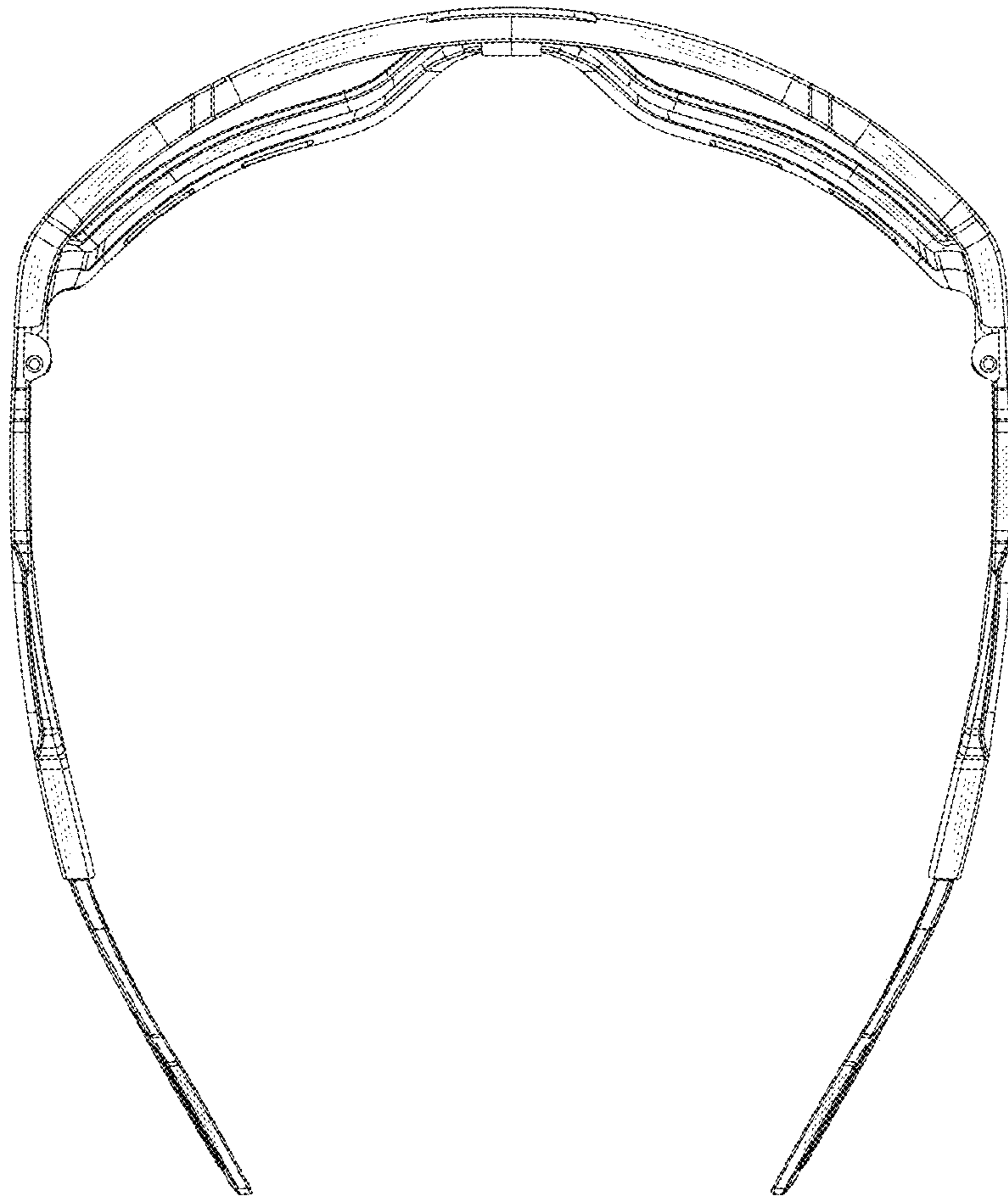


FIG. 6

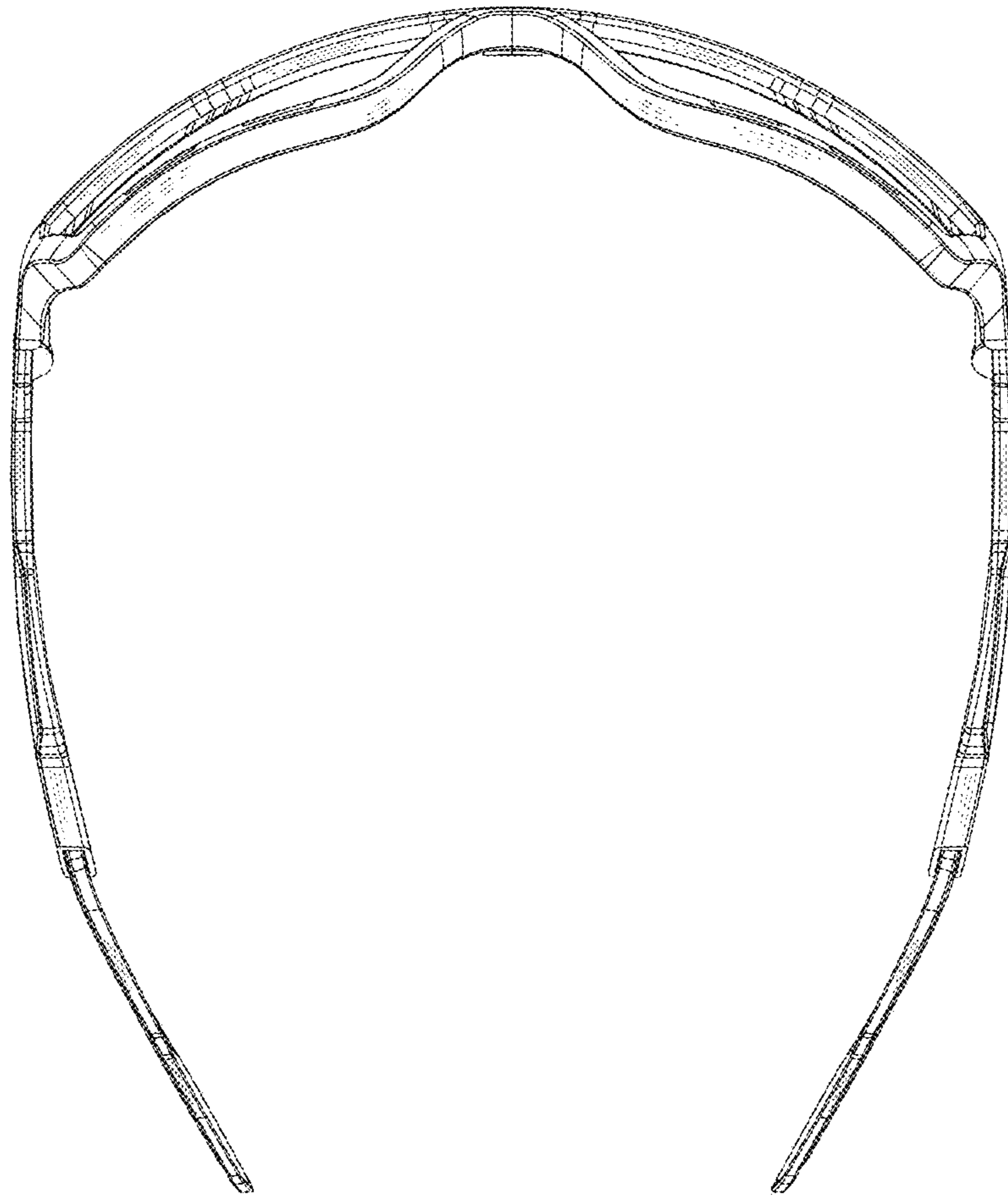


FIG. 7