



US00D986948S

(12) **United States Design Patent**  
**Zhang**

(10) **Patent No.:** **US D986,948 S**

(45) **Date of Patent:** **\*\* May 23, 2023**

(54) **SELFIE STICK**

(71) Applicant: **SHENZHEN LIANGDIANPAI TECHNOLOGY CO., LTD.**, Shenzhen (CN)

(72) Inventor: **Desheng Zhang**, Shenzhen (CN)

(73) Assignee: **SHENZHEN LIANGDIANPAI TECHNOLOGY CO., LTD.**, Shenzhen (CN)

(\*\*) Term: **15 Years**

(21) Appl. No.: **29/785,728**

(22) Filed: **May 27, 2021**

(30) **Foreign Application Priority Data**

Dec. 31, 2020 (CN) ..... 202030827896.7

(51) **LOC (14) Cl.** ..... **16-05**

(52) **U.S. Cl.**  
USPC ..... **D16/243**

(58) **Field of Classification Search**  
USPC ..... D14/224, 229, 238, 251, 253, 447, 451, D14/457; D16/219, 237-250  
CPC ..... G03B 17/04; G03B 17/56; G03B 17/561-566; A45F 2200/0533; A45F 5/00; A45F 5/10  
See application file for complete search history.

(56) **References Cited**

**U.S. PATENT DOCUMENTS**

D826,310 S \* 8/2018 Wang ..... D16/237  
D894,829 S \* 9/2020 Zhang ..... D13/108  
D900,200 S \* 10/2020 Shan ..... D16/237  
D909,455 S \* 2/2021 Shan ..... D16/244  
D921,096 S \* 6/2021 Chen ..... D16/244  
D943,016 S \* 2/2022 Li ..... D16/206

D956,855 S \* 7/2022 Deng ..... D16/243  
D971,304 S \* 11/2022 Deng ..... D16/243  
D971,305 S \* 11/2022 Deng ..... D16/244  
D978,228 S \* 2/2023 Qiu ..... D16/245  
2021/0131609 A1\* 5/2021 Zhao ..... F16M 11/105  
2022/0026782 A1\* 1/2022 Goldburt ..... F16M 11/123

\* cited by examiner

*Primary Examiner* — Richard Kearney  
*Assistant Examiner* — Benjamin M Weeks

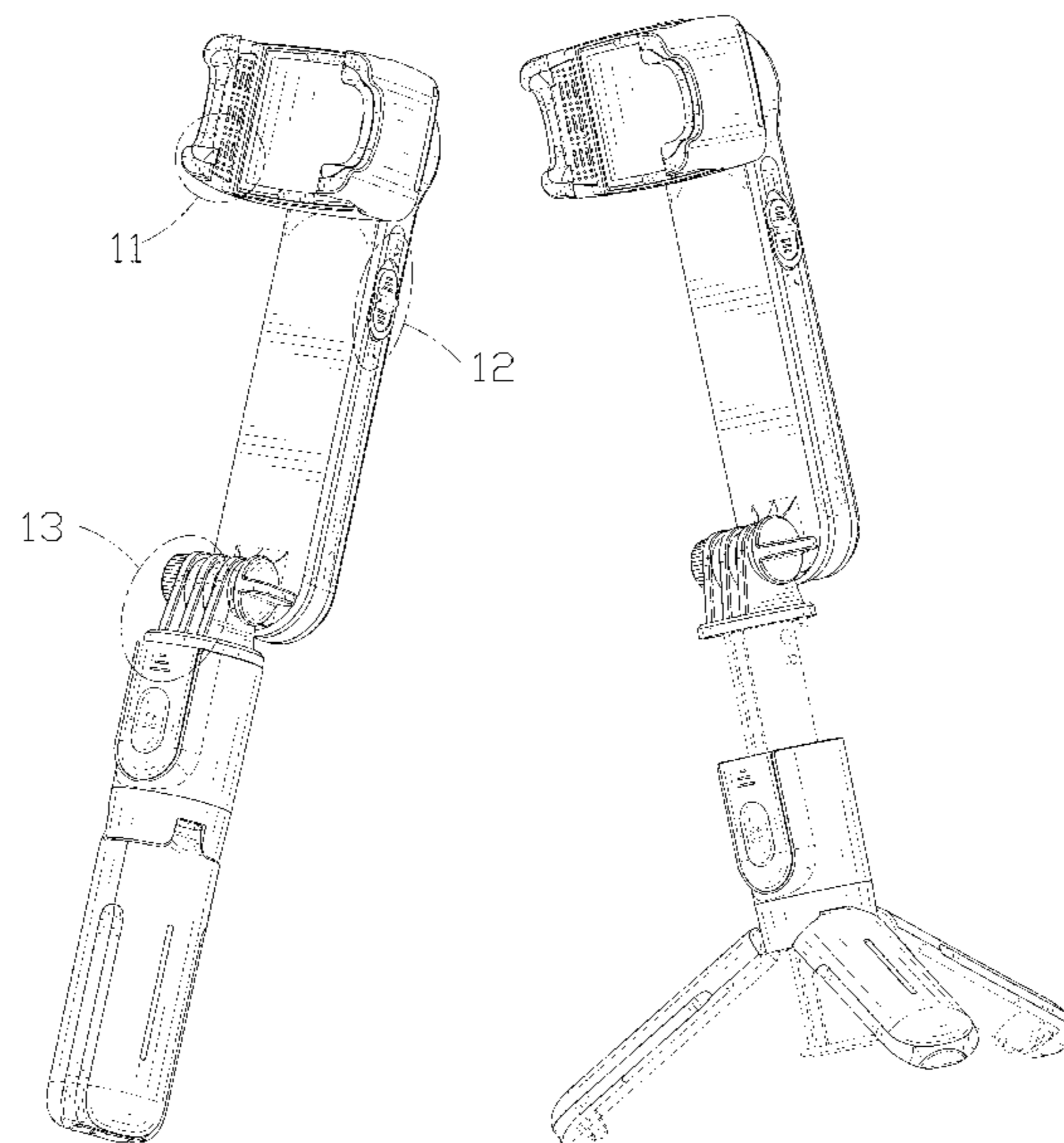
(57) **CLAIM**

The ornamental design for a selfie stick, as shown and described.

**DESCRIPTION**

FIG. 1 is a perspective view of a selfie stick showing my new design;  
FIG. 2 is another perspective view thereof;  
FIG. 3 is a front elevational view thereof;  
FIG. 4 is a rear elevational view thereof;  
FIG. 5 is a left side elevational view thereof;  
FIG. 6 is a right side elevational view thereof;  
FIG. 7 is a top plan view thereof;  
FIG. 8 is a bottom plan view thereof;  
FIG. 9 is a perspective view of the selfie stick where the selfie stick is in a first configuration of use;  
FIG. 10 is a perspective view of the selfie stick where the selfie stick is in a second configuration of use;  
FIG. 11 is an enlarged view of portion 11 shown in FIG. 1;  
FIG. 12 is an enlarged view of portion 12 shown in FIG. 1;  
FIG. 13 is an enlarged view of portion 13 shown in FIG. 1; and,  
FIG. 14 is an enlarged view of portion 14 shown in FIG. 2.  
The dash-dash broken lines in the drawings depict portions of the selfie stick. The long dash-short dash broken lines demarcate the enlarged views; all broken lines form no part of the claimed design.

**1 Claim, 14 Drawing Sheets**



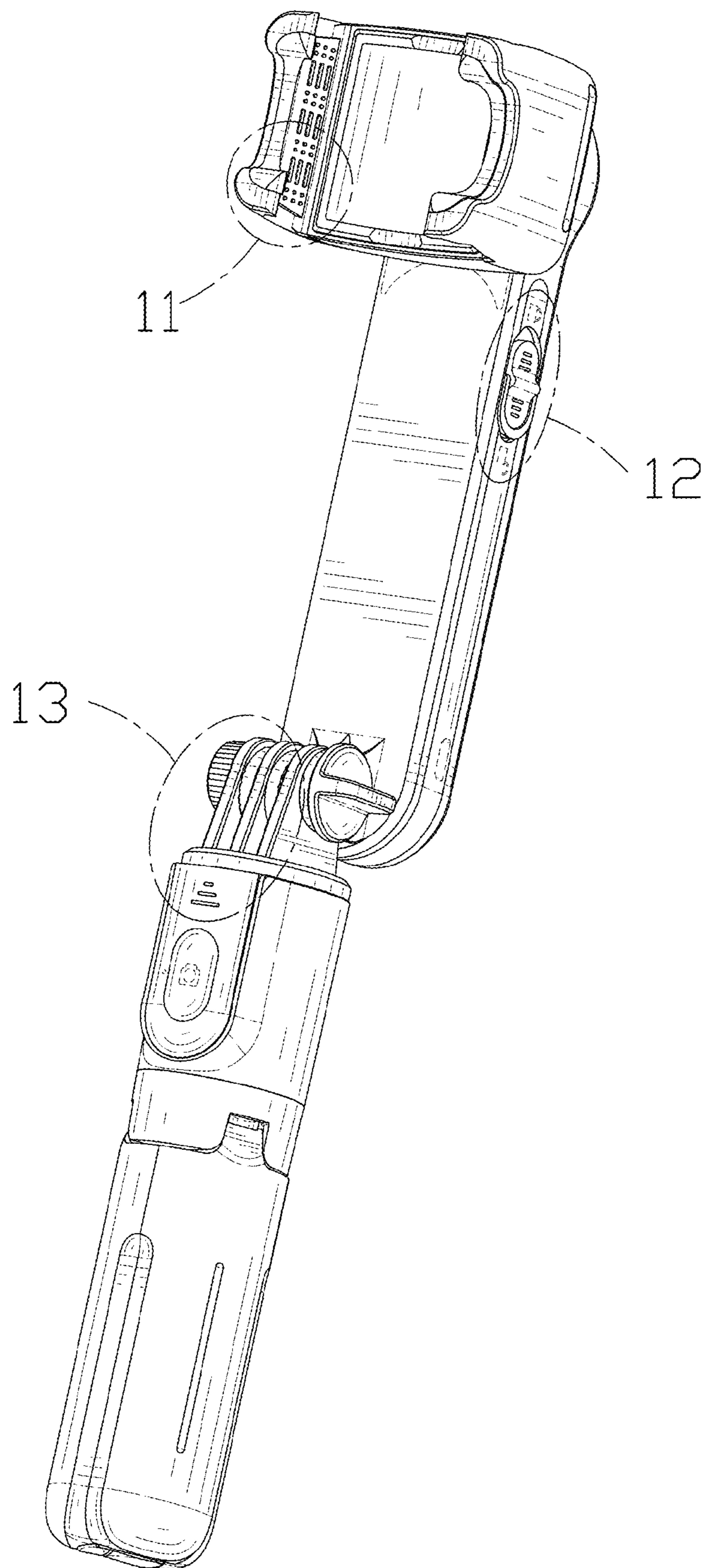


FIG. 1

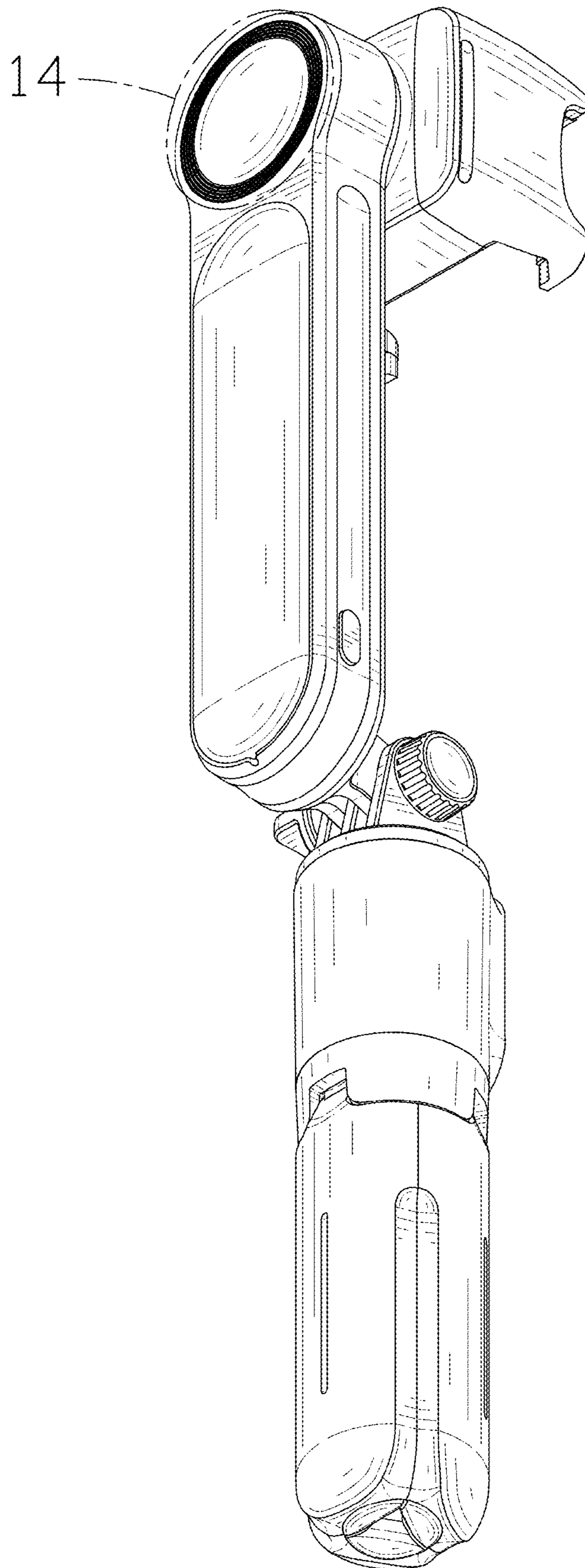


FIG. 2

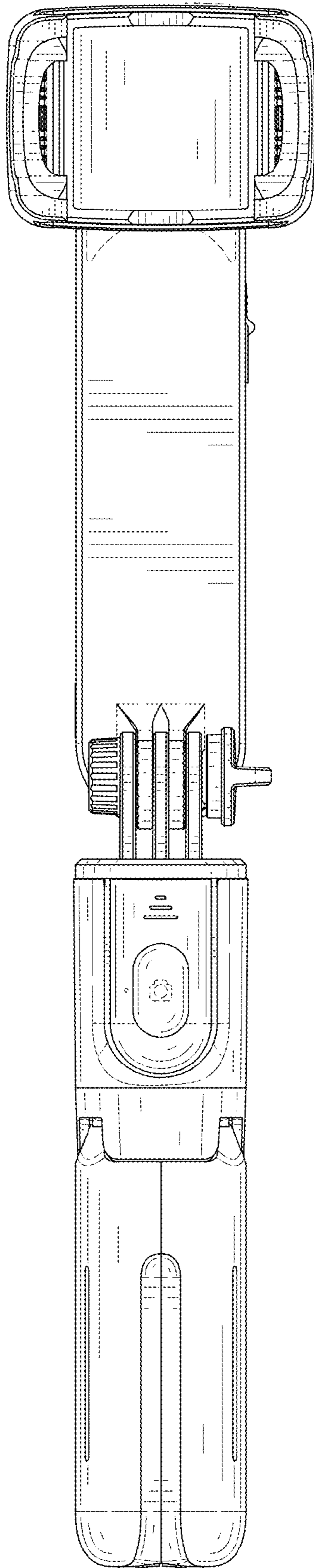


FIG. 3

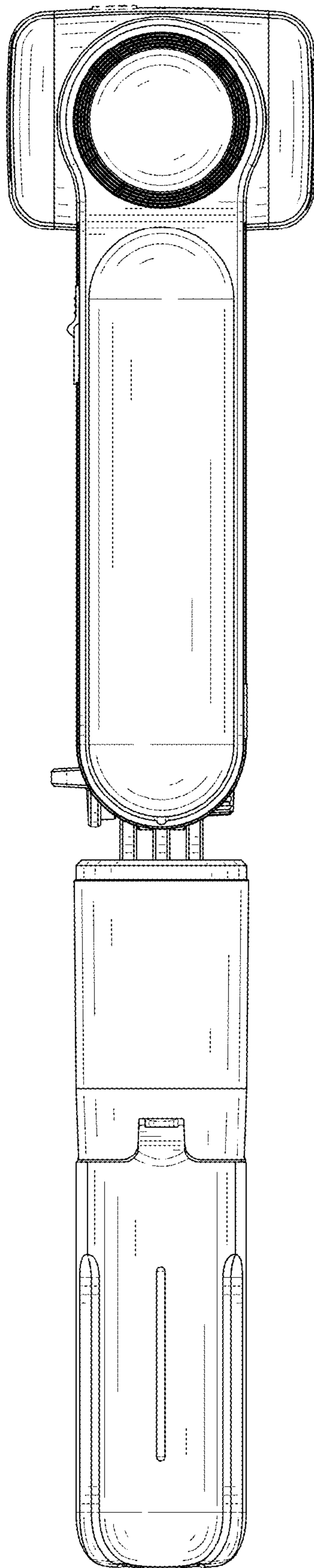


FIG. 4

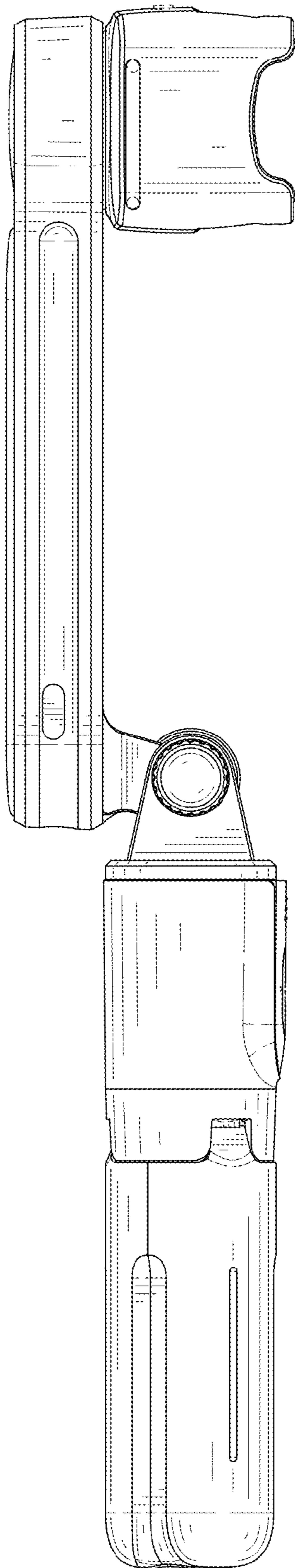


FIG. 5

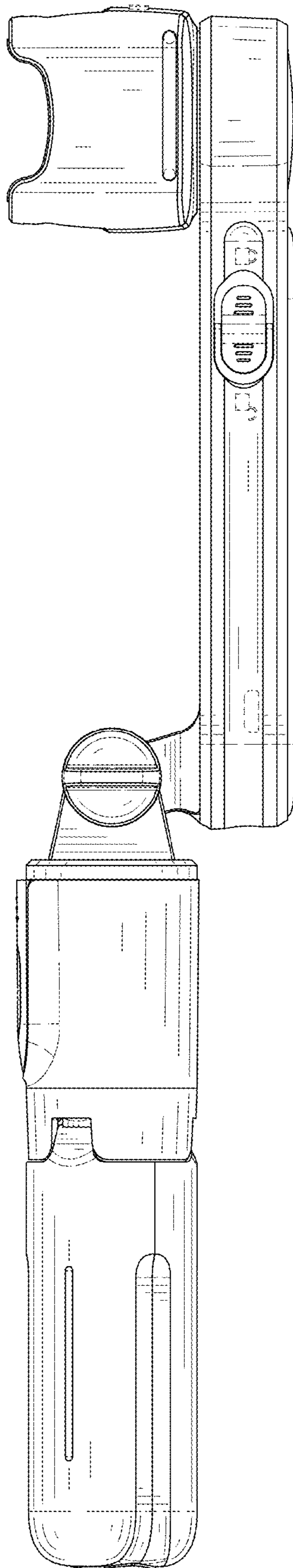


FIG. 6

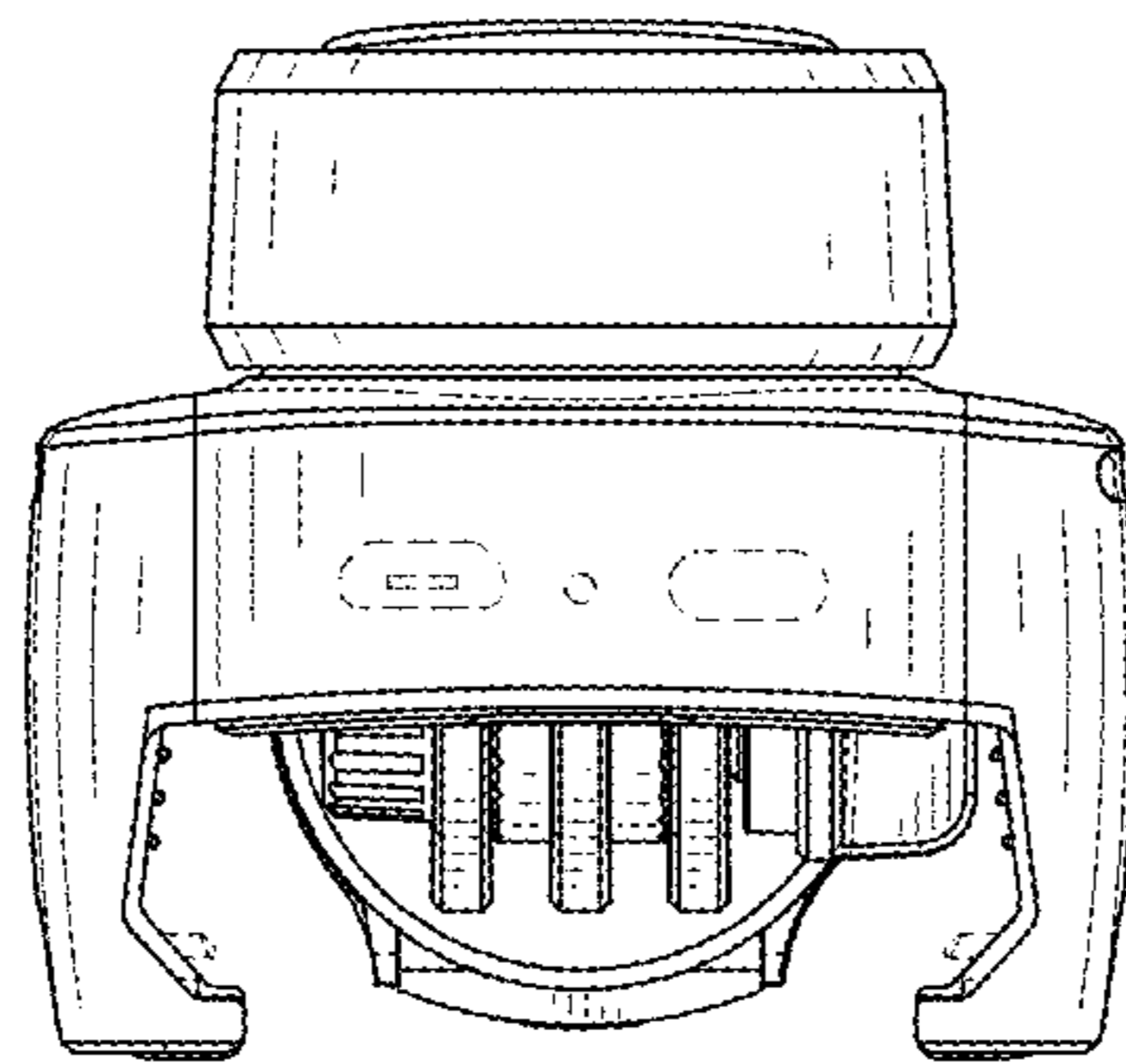


FIG. 7



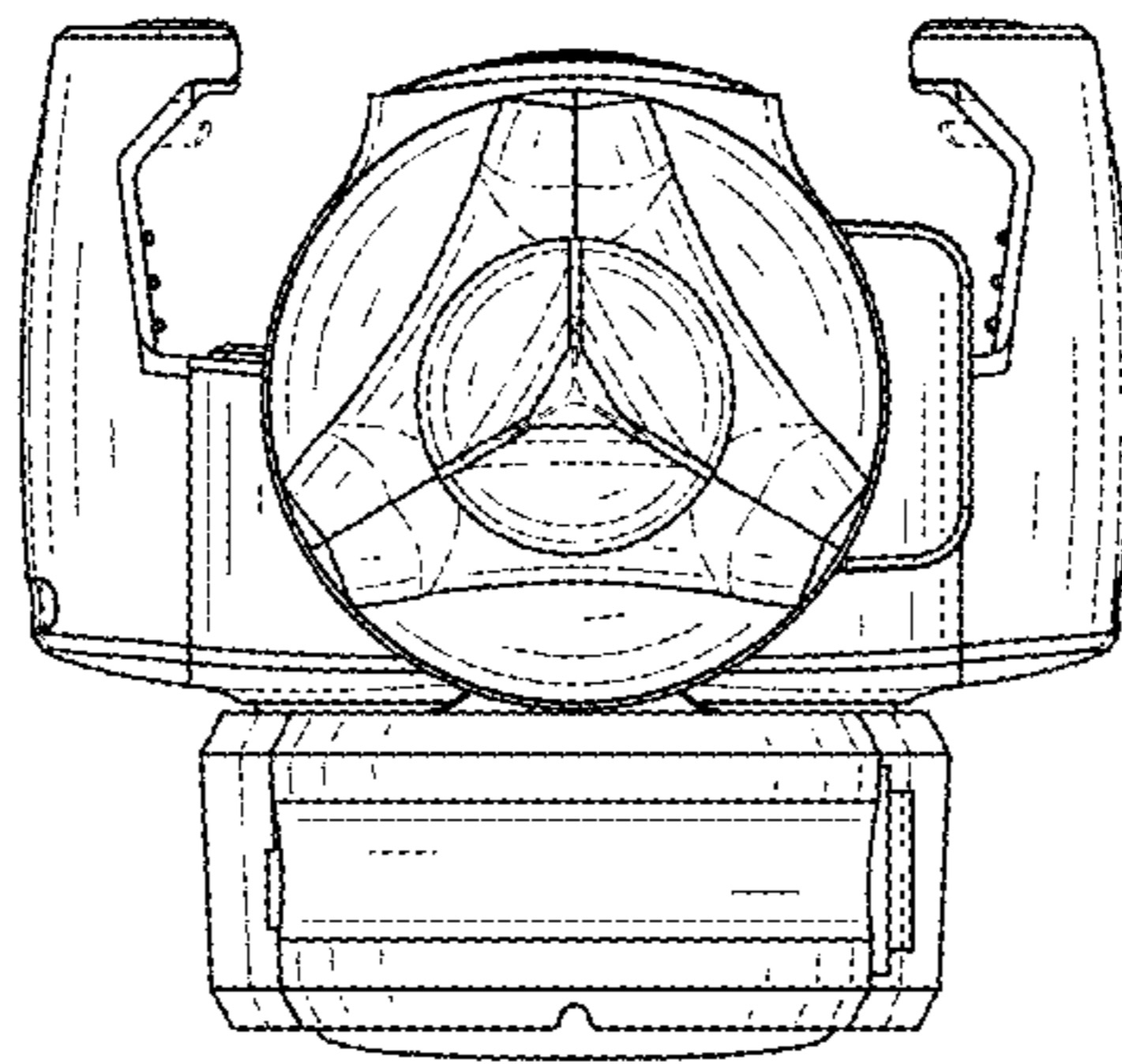


FIG. 8

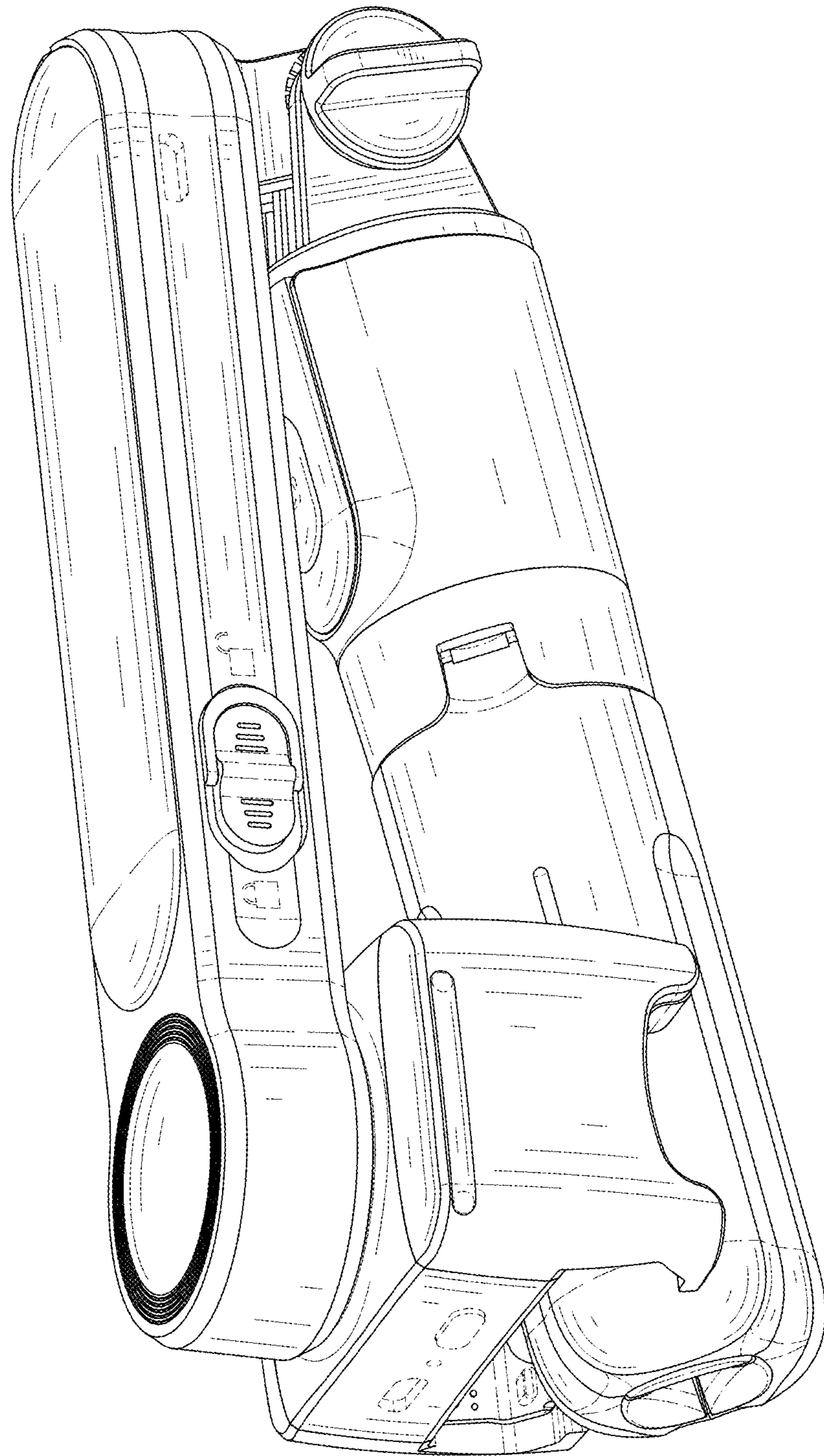


FIG. 9

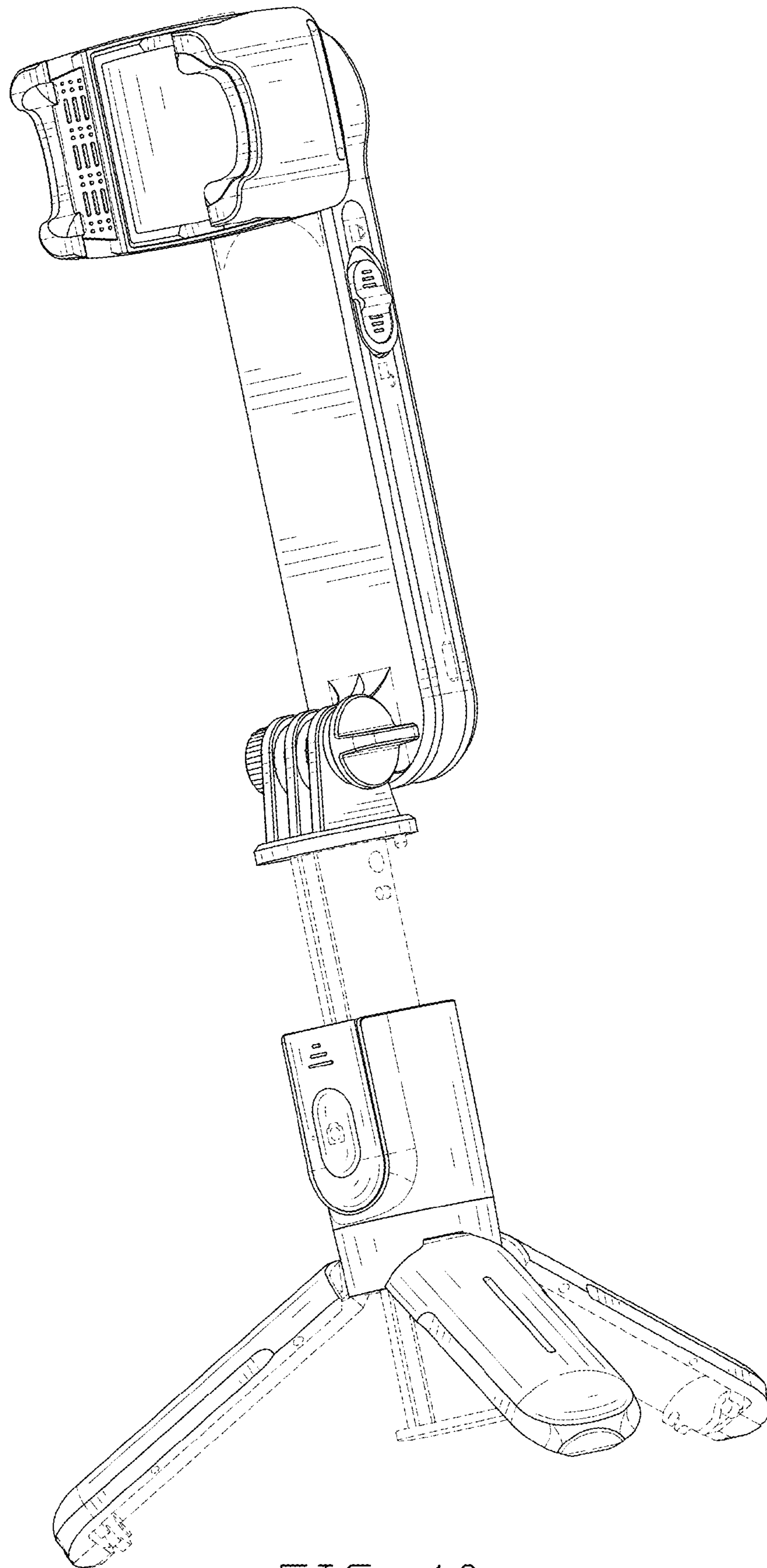


FIG. 10

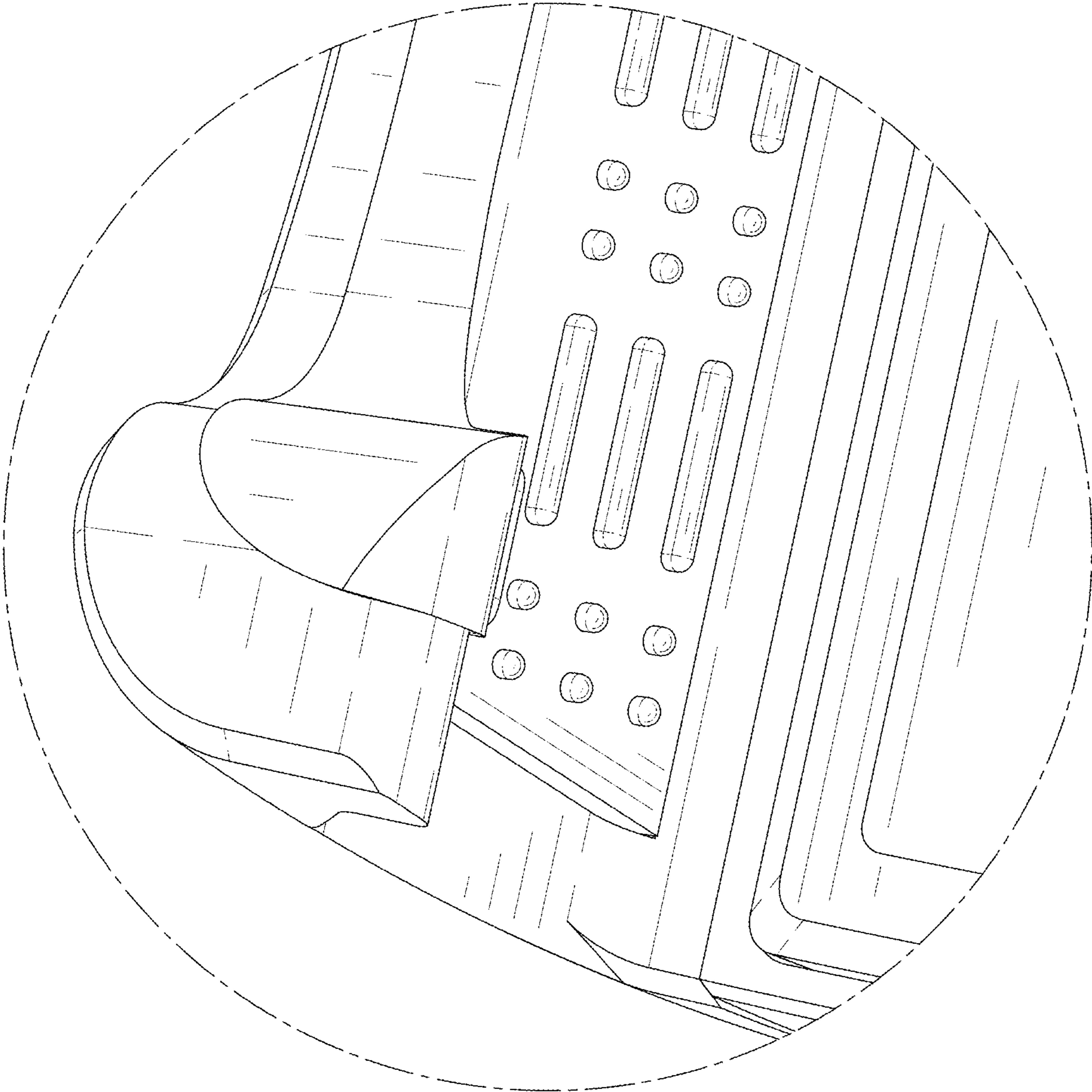


FIG. 11

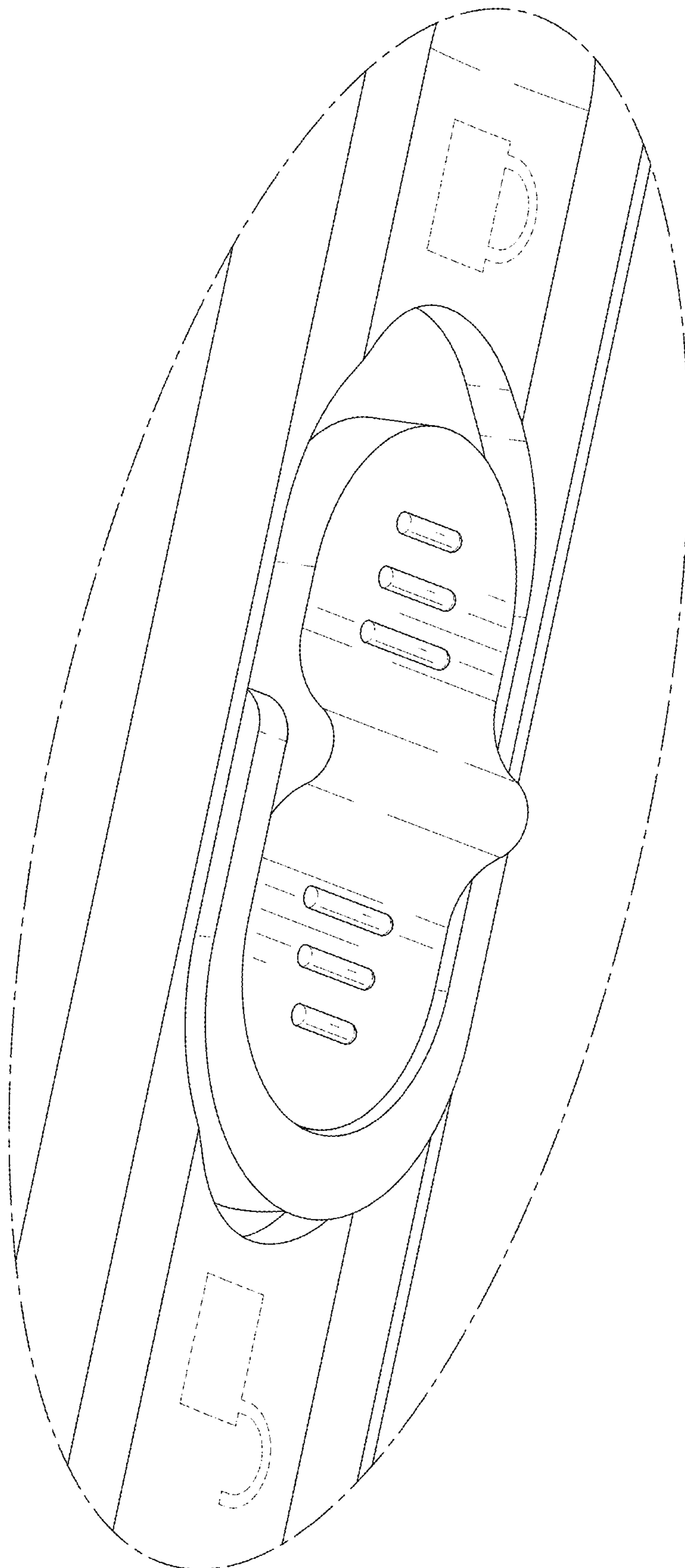


FIG. 12

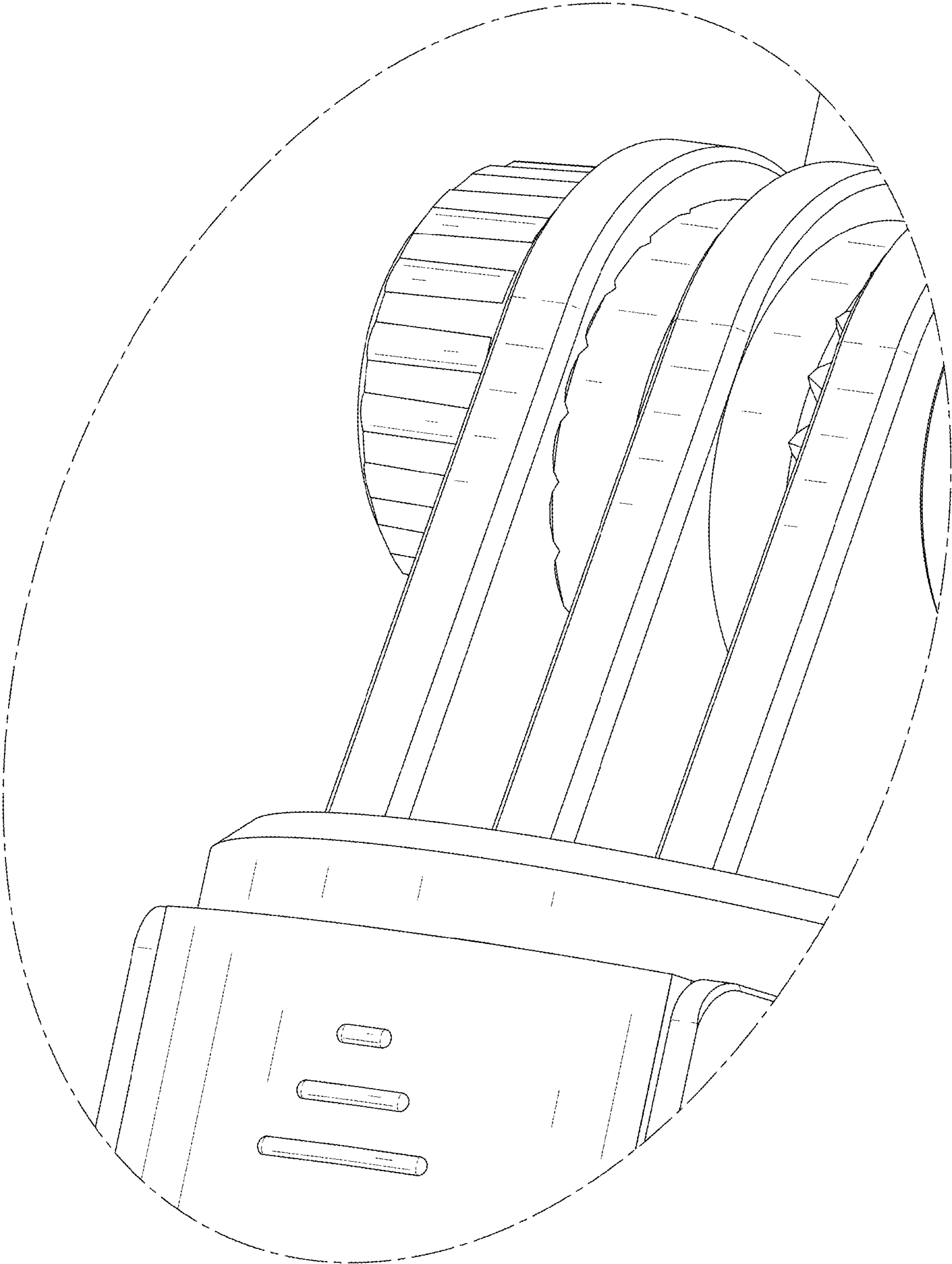


FIG. 13

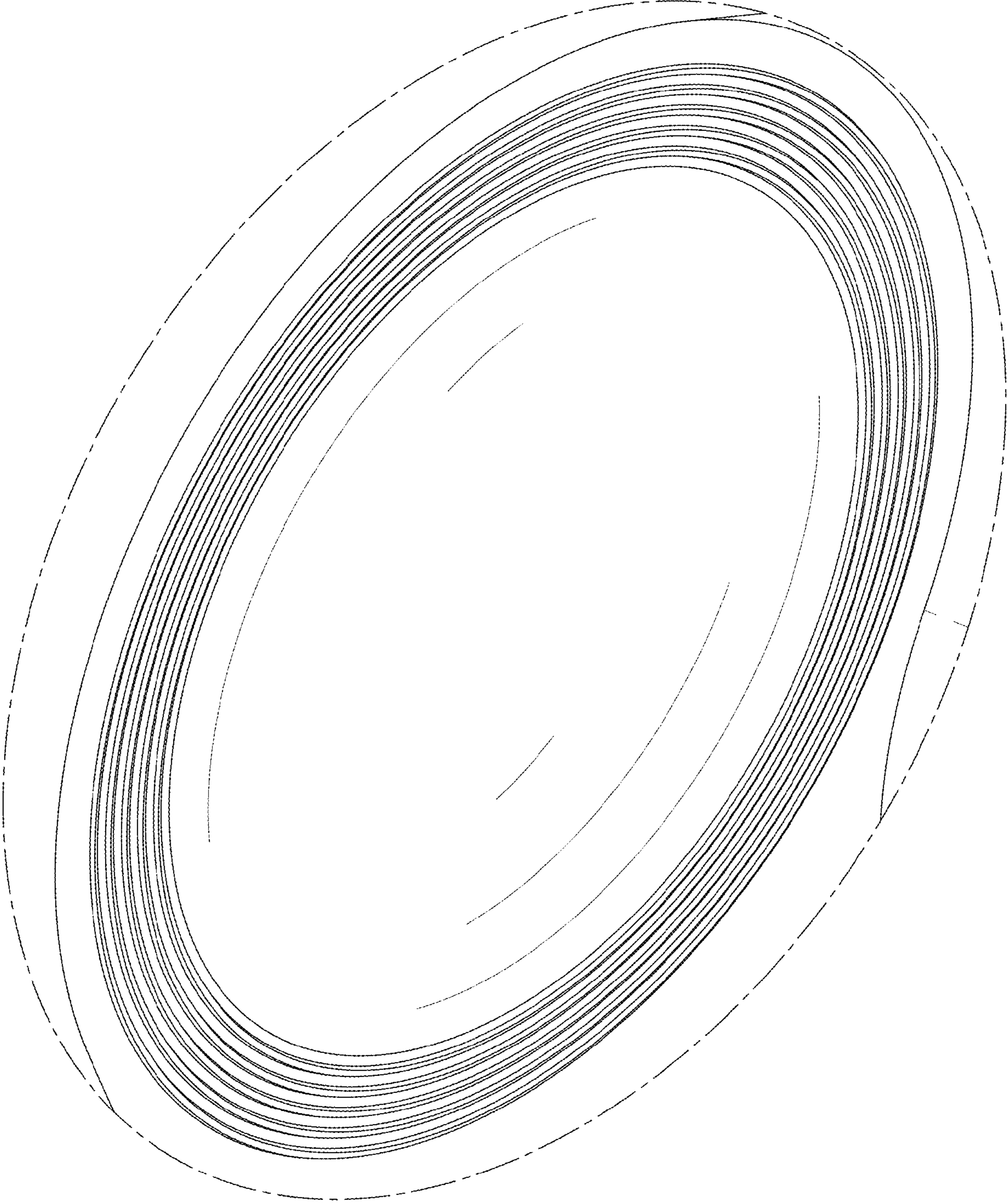


FIG. 14