



US00D986947S

(12) **United States Design Patent** (10) **Patent No.:** **US D986,947 S**
Wang et al. (45) **Date of Patent:** **** May 23, 2023**

(54) **CAMERA CLAMP**

D868,141 S 11/2019 Lee et al.
D873,898 S 1/2020 Roth
D880,571 S 4/2020 Harrison et al.
(Continued)

(71) Applicant: **SHENZHEN NEEWER TECHNOLOGY CO. LTD**, Shenzhen (CN)

(72) Inventors: **Jun Wang**, Shenzhen (CN); **Yan Ke**, Shenzhen (CN)

(**) Term: **15 Years**

(21) Appl. No.: **29/881,801**

(22) Filed: **Jan. 6, 2023**

(51) **LOC (14) Cl.** **16-05**

(52) **U.S. Cl.**
USPC **D16/242**

(58) **Field of Classification Search**
USPC D16/200, 202–203, 208, 219, 221–250
CPC A45F 5/00; F16M 13/00; F16M 11/04;
F16M 11/08; F16M 11/10; F16M 11/12;
F16M 11/14; F16M 11/16; F16M 11/32;
F16M 11/41; F16M 11/105; F16M 11/242;
F16M 11/2014; F16M 11/2064; F16M 11/2078;
G09B 11/02; F16C 11/106; G03B 17/561; G03B 17/563;
G03B 17/566

See application file for complete search history.

(56) **References Cited**

U.S. PATENT DOCUMENTS

D438,783 S *	3/2001	Elliott	F16L 23/10
				D8/396
D467,605 S *	12/2002	Dordick	D16/245
D603,442 S *	11/2009	Dordick	D16/245
D623,331 S	9/2010	Rotwitt		
8,821,044 B1 *	9/2014	Dordick	F16M 11/041
				248/689
D764,567 S *	8/2016	Bennett	D16/242
D768,754 S *	10/2016	Bennett	D16/242
D798,939 S *	10/2017	Costa	D16/242
D798,940 S *	10/2017	Costa	D16/242
D800,204 S	10/2017	Harrison et al.		

OTHER PUBLICATIONS

“Newer Super Clamp with Magic Arm with Phone Holder & Action Camera Mount”, [Posted Online on amazon.com], [First Available at Jan. 17, 2023], [Retrieved Online on Feb. 24, 2023], <https://www.amazon.com/NEEWER-Holder-Compatible-Smallrig-Insta360/dp/B0BSH3W947/> (Year: 2023).*

Primary Examiner — Mary Shannon Malley
Assistant Examiner — Christopher John Suarez La Rosa
(74) *Attorney, Agent, or Firm* — Xiaofang Zhong

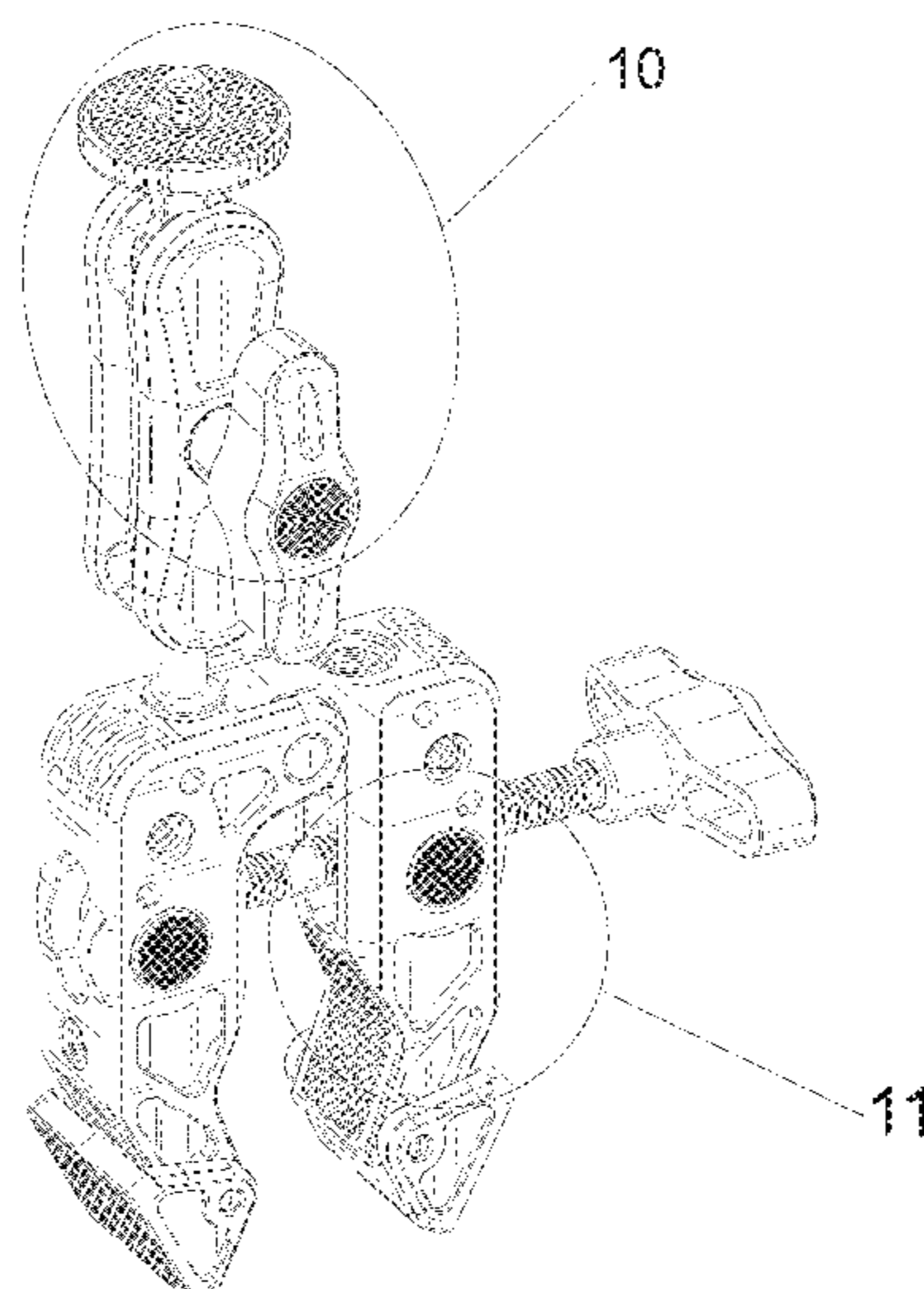
(57) **CLAIM**

The ornamental design for camera clamp, as shown and described.

DESCRIPTION

FIG. 1 is a front, left and top perspective view of a camera clamp showing my new design;
FIG. 2 is a rear, right and bottom perspective view thereof;
FIG. 3 is a front, left and top perspective view thereof, shown in an alternate configuration;
FIG. 4 is a front elevational view thereof;
FIG. 5 is a rear elevational view thereof;
FIG. 6 is a left view thereof;
FIG. 7 is a right view thereof;
FIG. 8 is a top plan view thereof;
FIG. 9 is a bottom plan view thereof;
FIG. 10 is an enlarged view of a portion labeled as 10 on FIG. 1; and,
FIG. 11 is an enlarged view of a portion labeled as 11 on FIG. 1.
The long dash-dash-long dash line shown in FIGS. 1, 10, and 11 depict enlargement boundaries that form no part of the claimed design.

1 Claim, 11 Drawing Sheets



(56)

References Cited

U.S. PATENT DOCUMENTS

D892,910 S * 8/2020 Zhang D16/242
D916,945 S 4/2021 Kashiwagi
D969,200 S * 11/2022 Lin D16/242
D973,127 S * 12/2022 Wu D16/242
2015/0286115 A1* 10/2015 Koch F16M 11/2078
248/230.4
2018/0187704 A1* 7/2018 Chang F16M 11/041

* cited by examiner

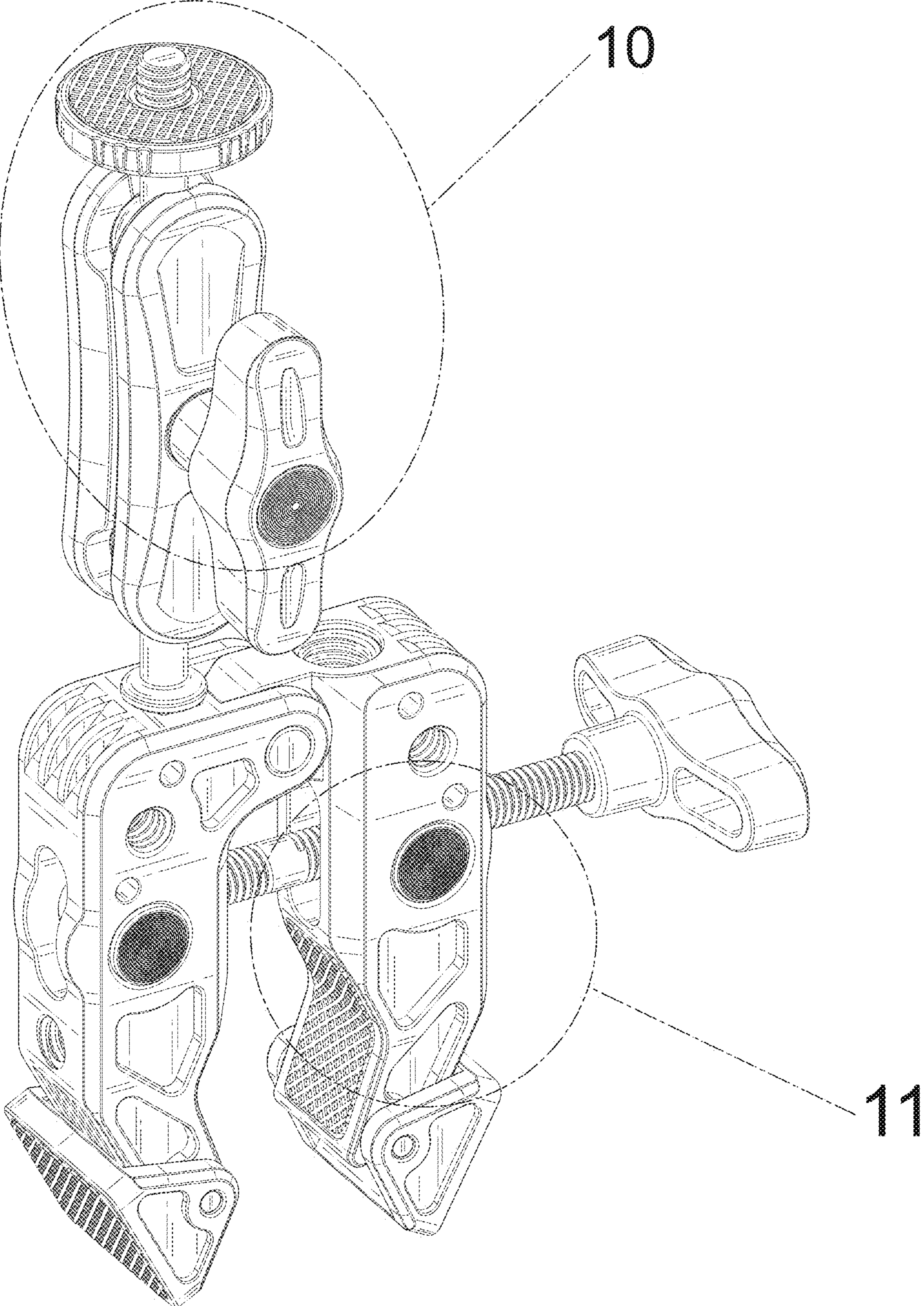


FIG. 1

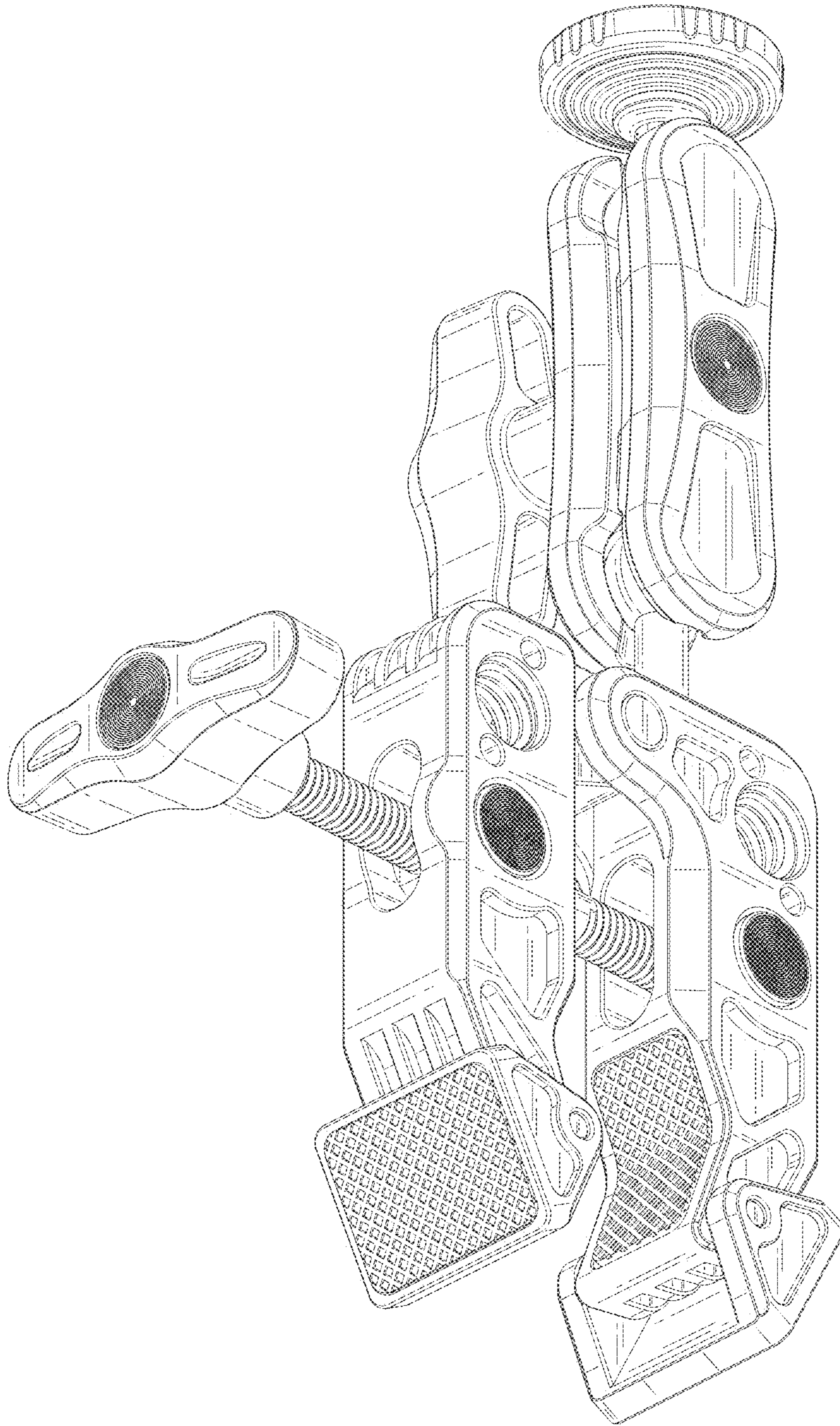


FIG. 2

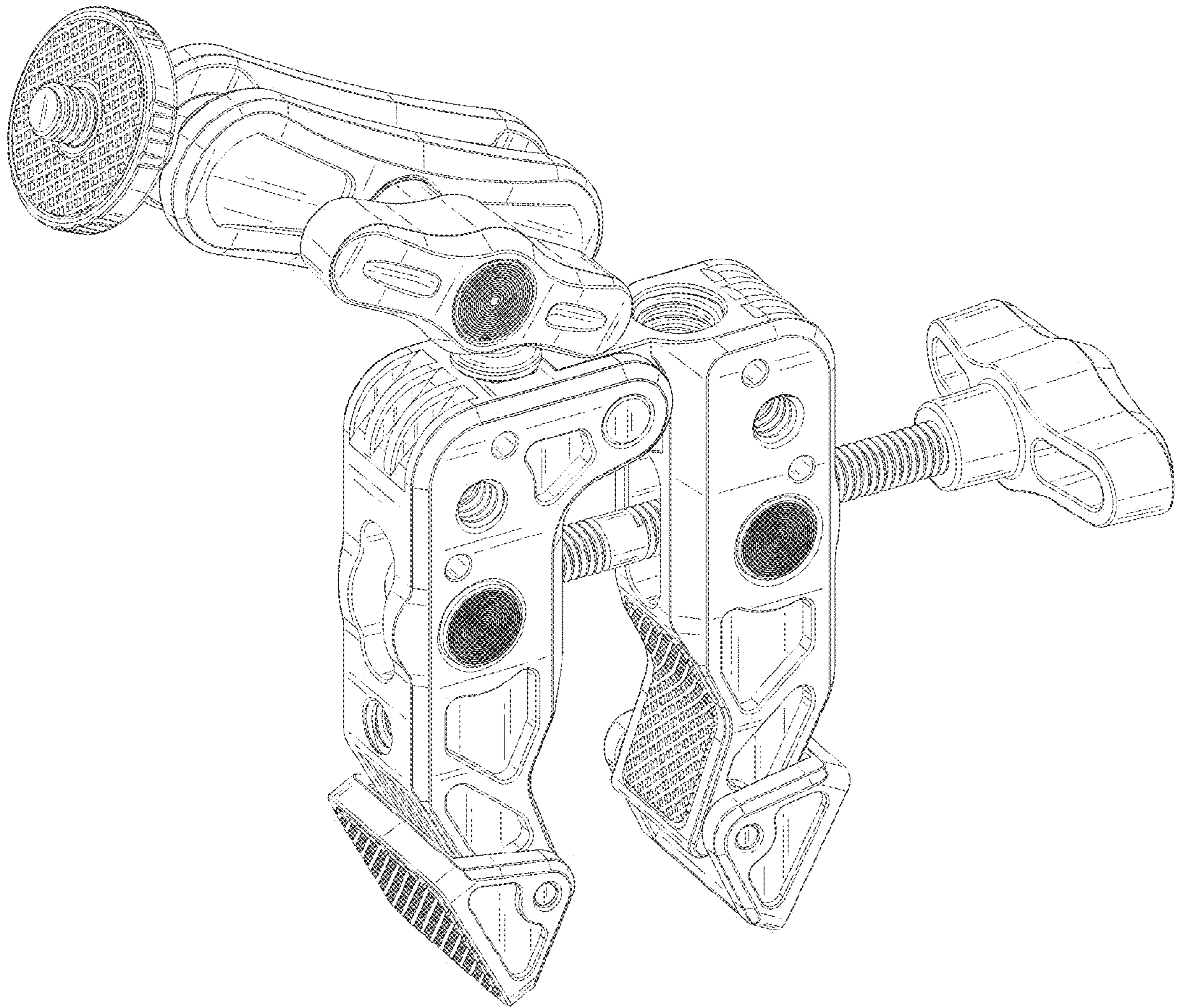


FIG. 3

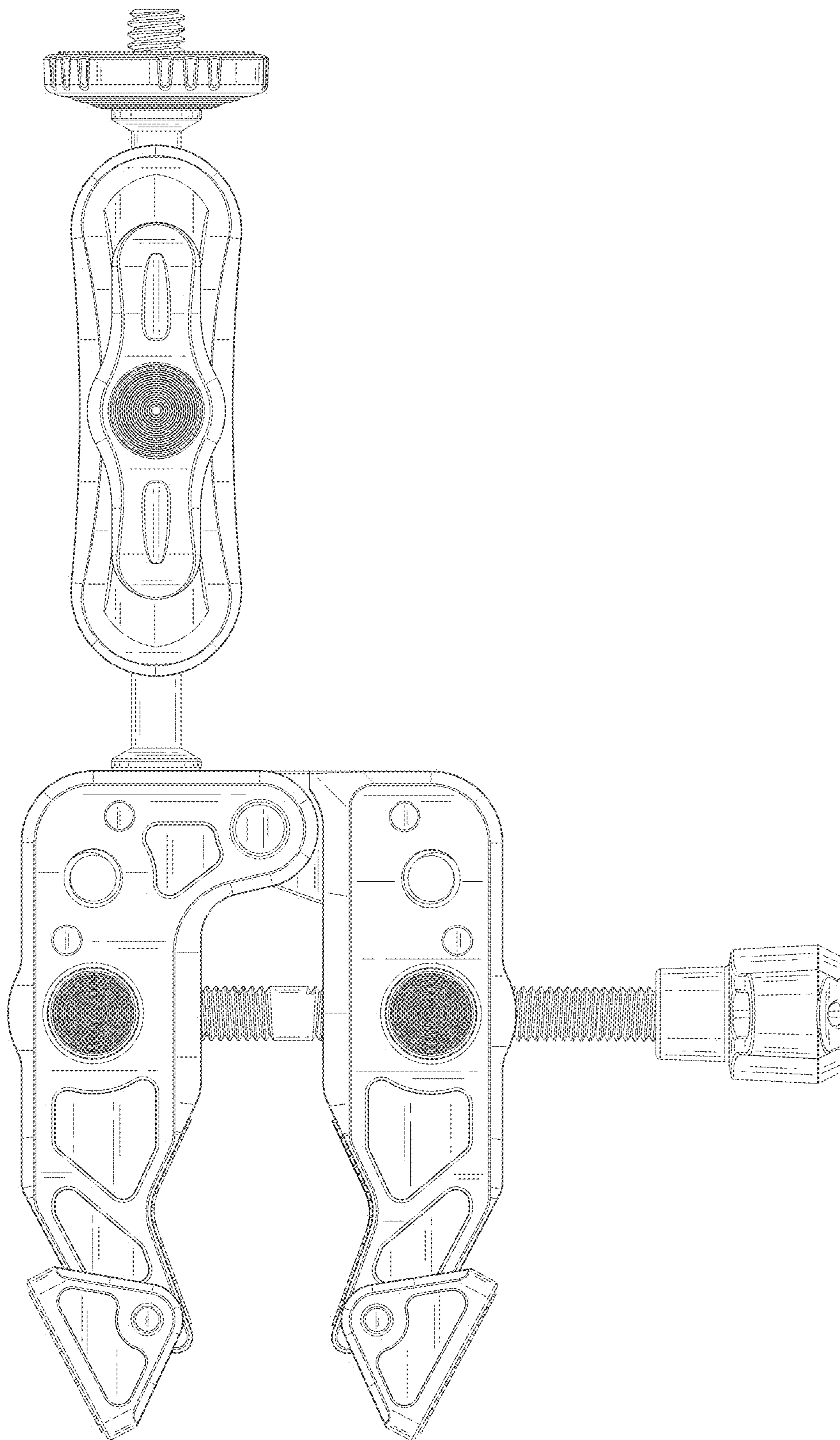


FIG. 4

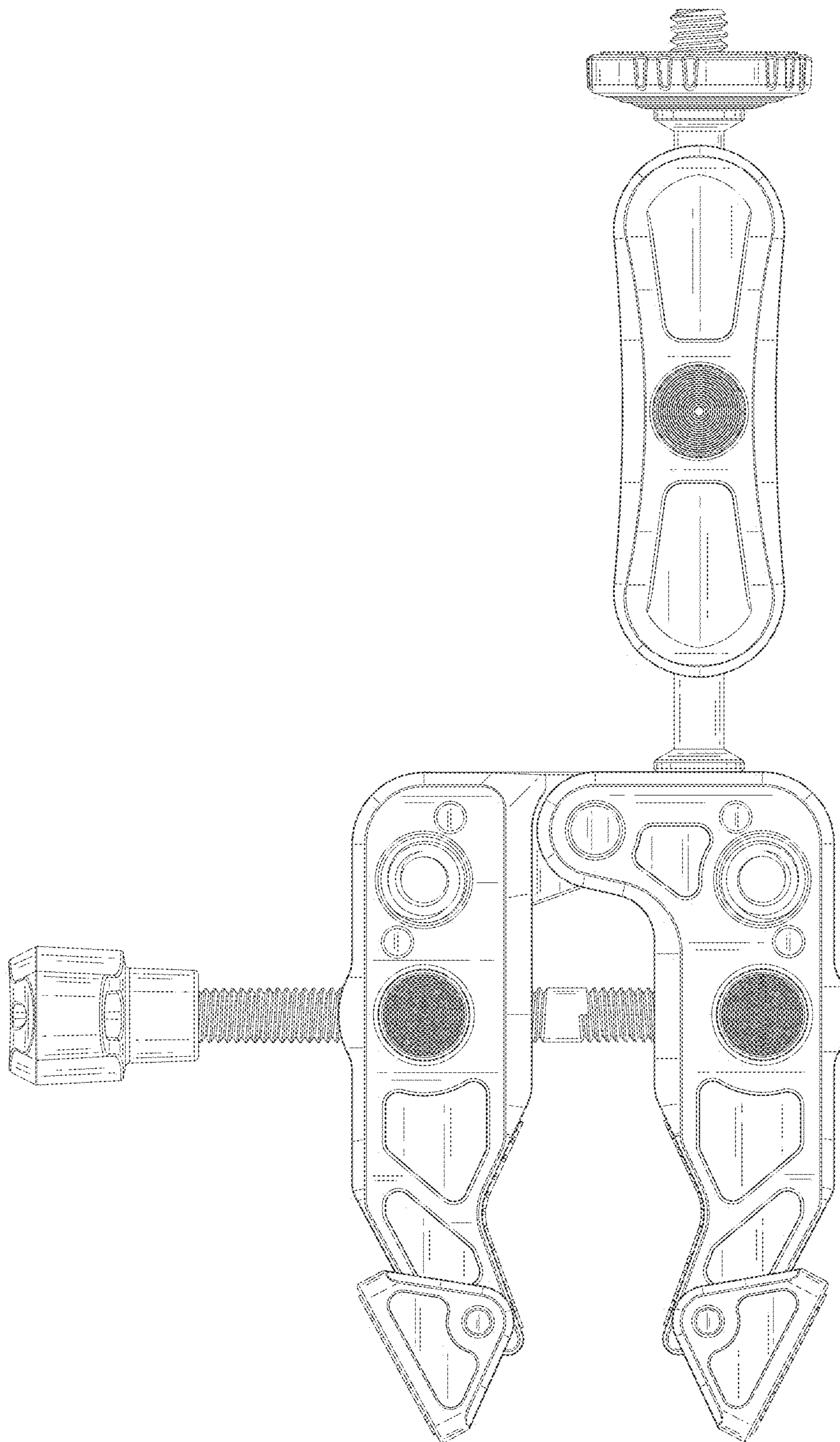


FIG. 5

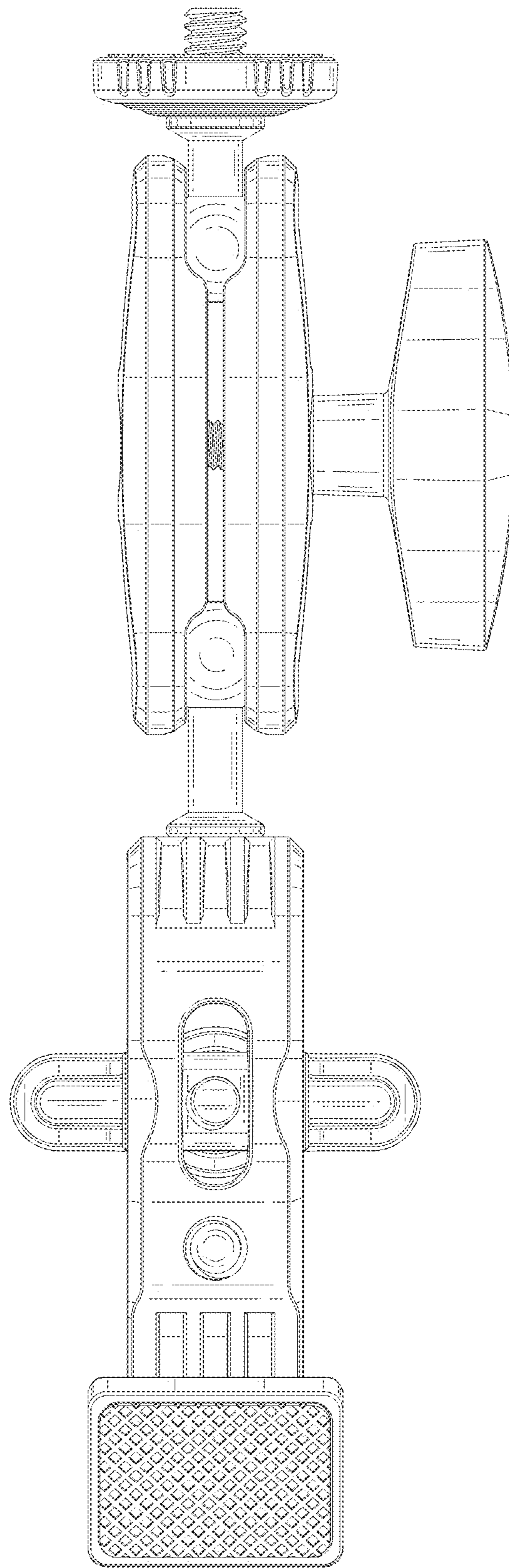


FIG. 6

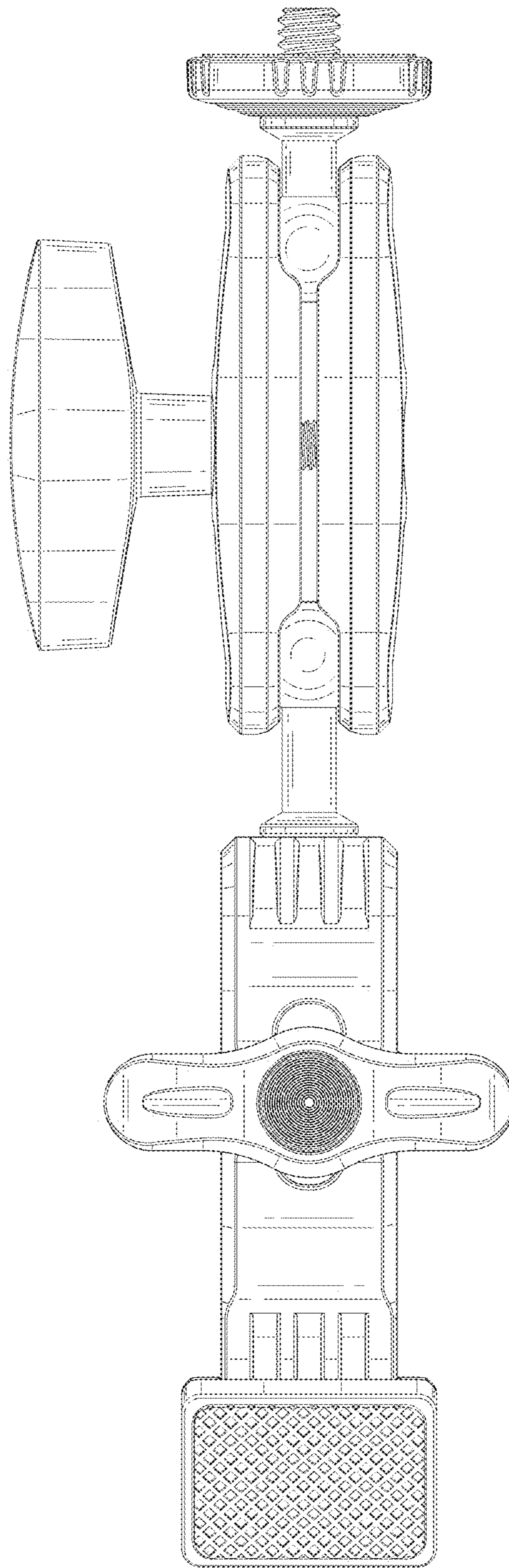


FIG. 7

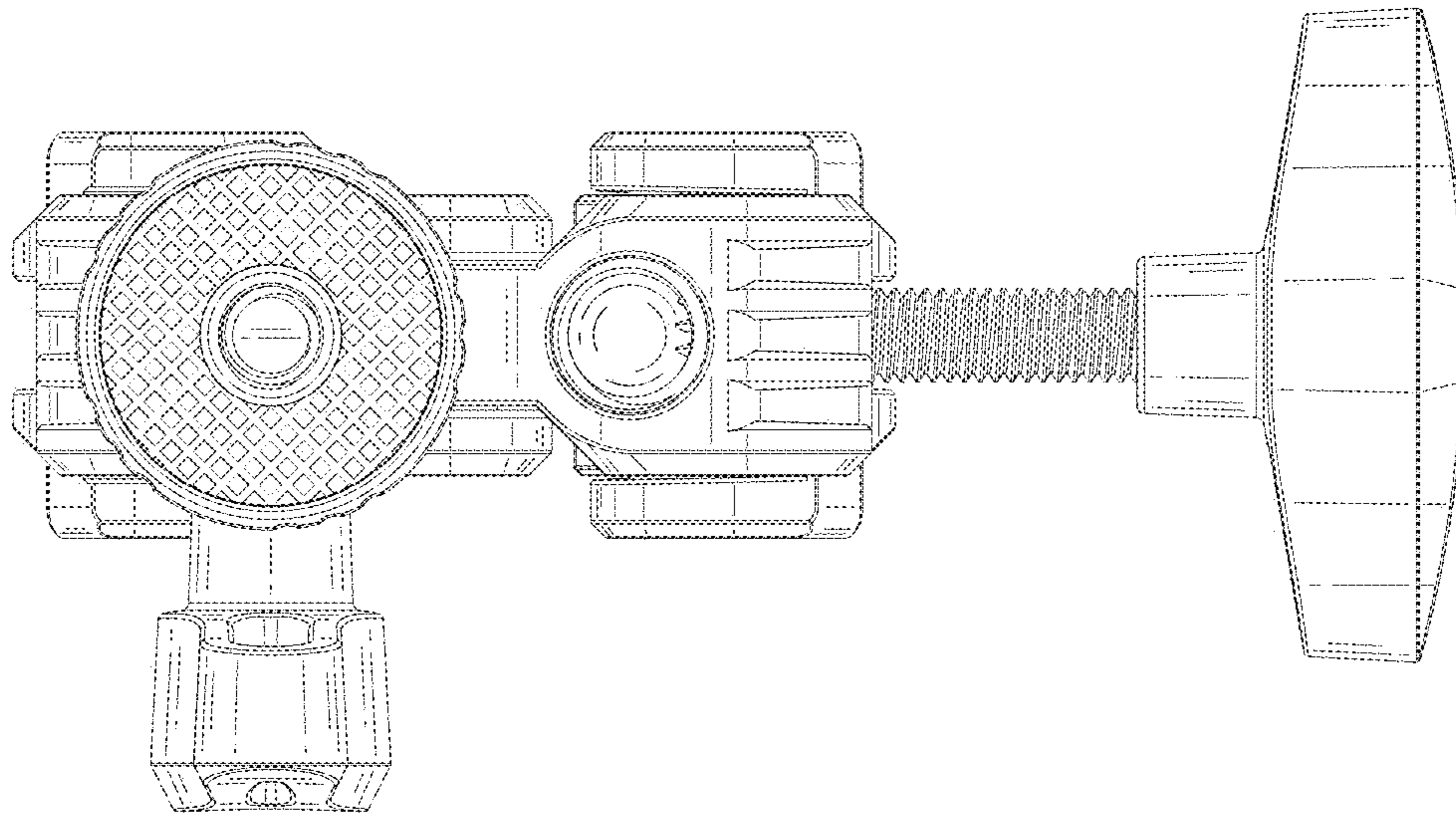


FIG. 8

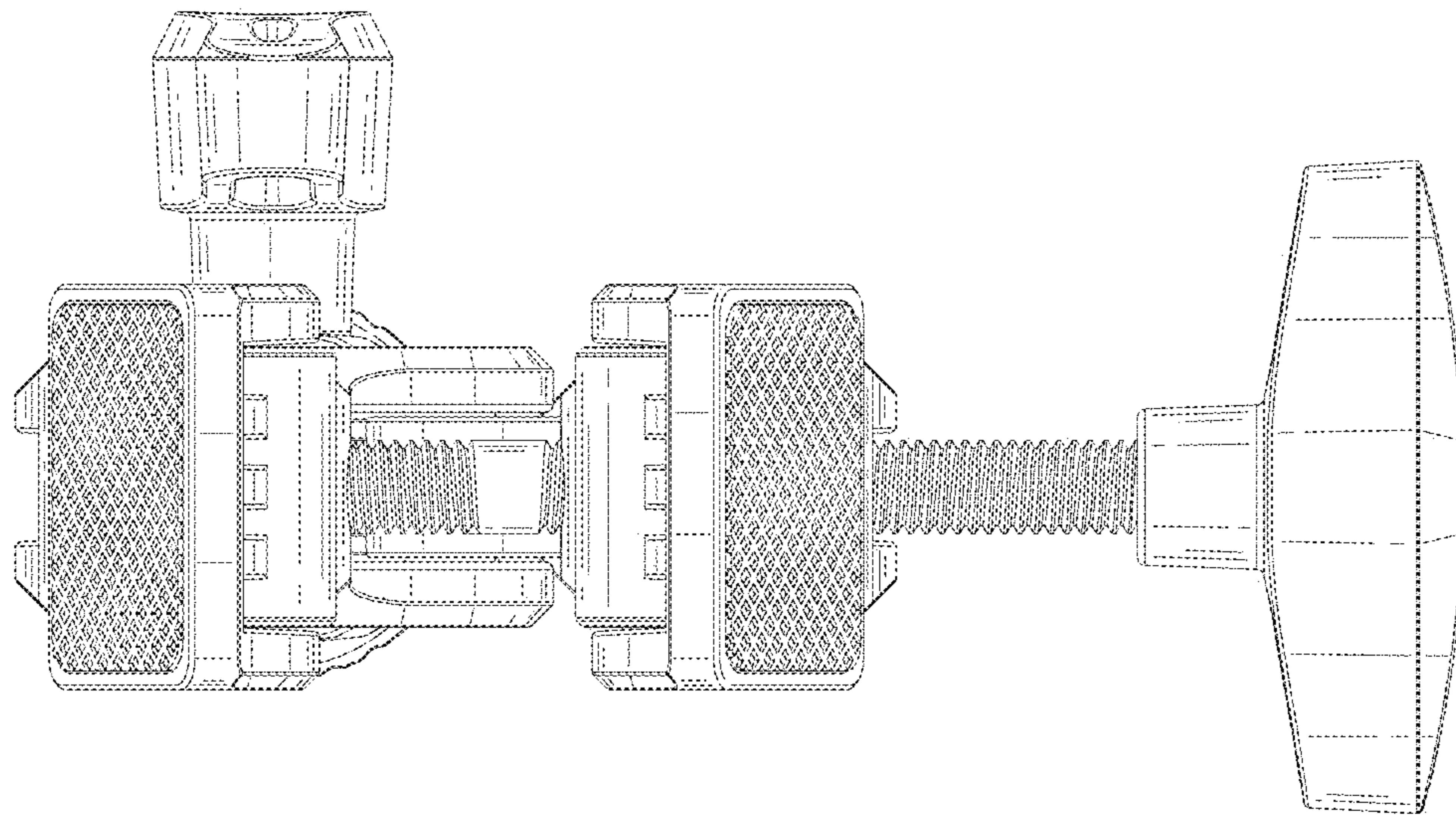


FIG. 9

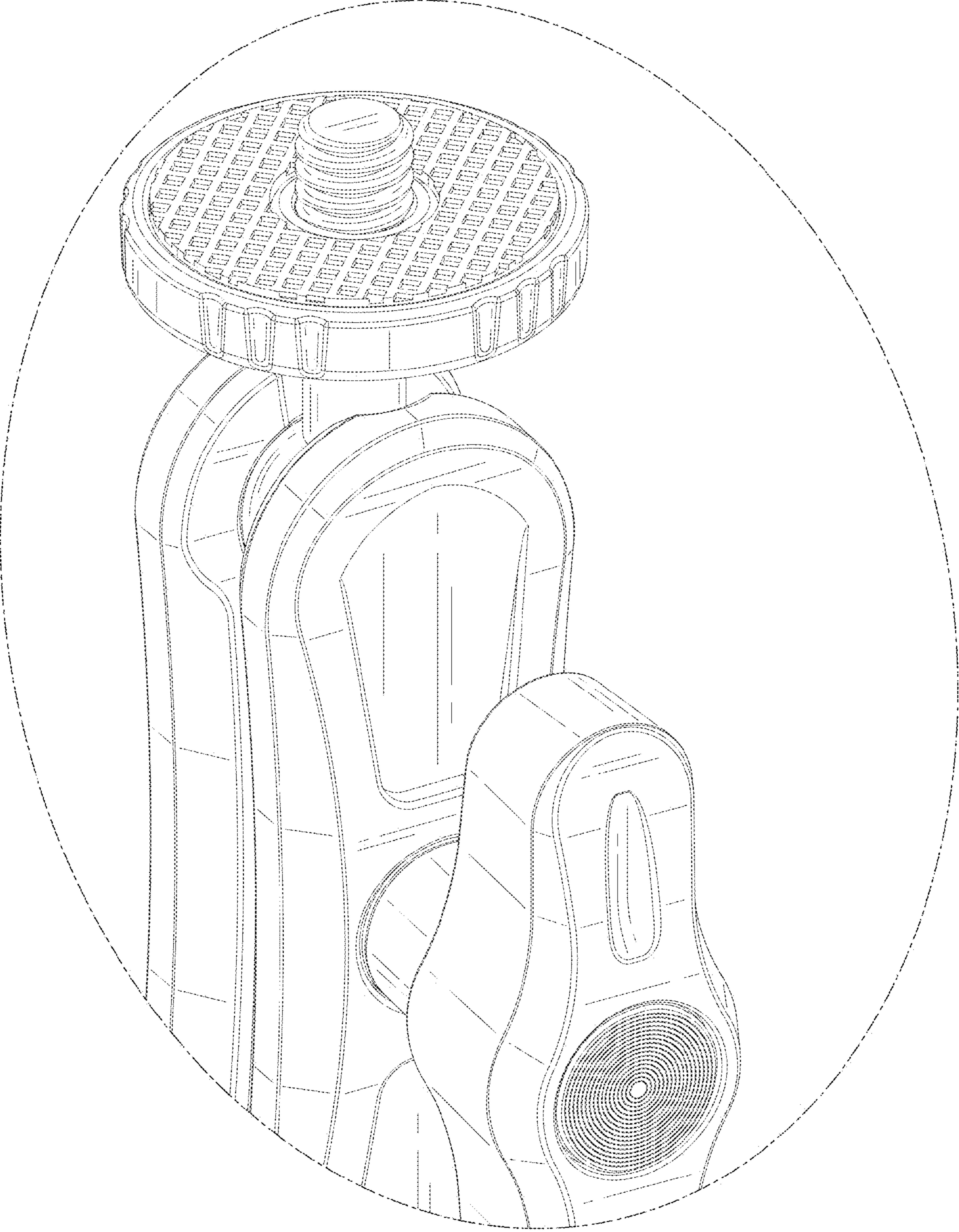


FIG. 10

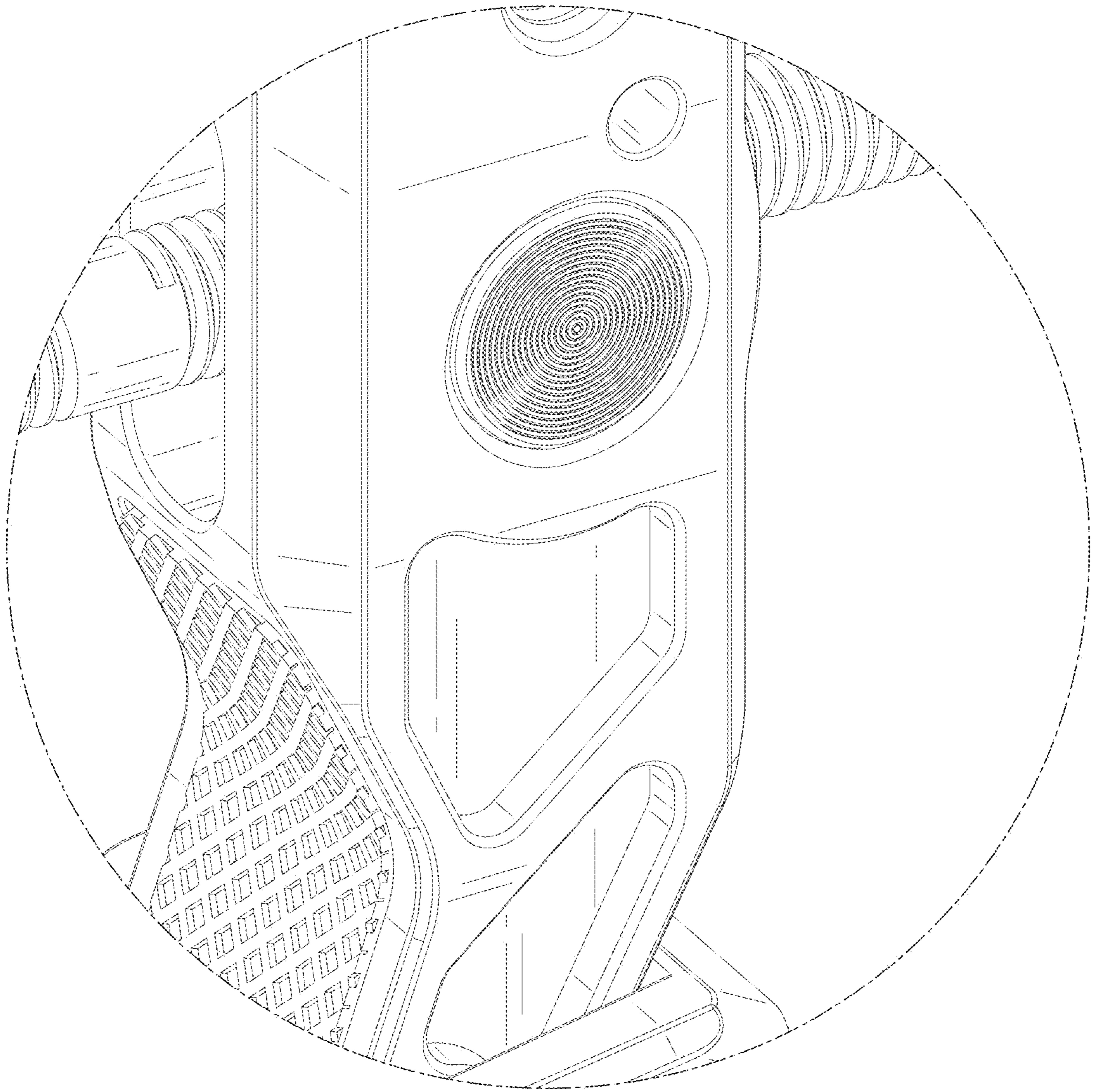


FIG. 11