



US00D986946S

(12) **United States Design Patent**
Muhlenkamp, IV et al.

(10) **Patent No.:** **US D986,946 S**
(45) **Date of Patent:** **** May 23, 2023**

(54) **CAMERA MOUNT**

FOREIGN PATENT DOCUMENTS

(71) Applicant: **GoPro, Inc.**, San Mateo, CA (US)

GB 6006189 1/2017

(72) Inventors: **John George Muhlenkamp, IV**,
Brisbane, CA (US); **Christopher Aaron**
Clearman, Half Moon Bay, CA (US)

OTHER PUBLICATIONS

(73) Assignee: **GoPro, Inc.**, San Mateo, CA (US)

Aluminum Tripod Mount Adapter Compatible for Gopro Hero10 ,
9 , 8, 7, 6, 5, 4, 3+, 3, 2, 1 HD, Hero Fusion, GOPRO Hero
(2018),Dji Osmo Action Camera Black by Forevercam. Online,
published date Aug. 27, 2018. Retrieved on Oct. 5, 2022 from
URL:https://www.amazon.com/Aluminum-Adapter-Compatible-
Session-forevercam/dp/B07GVBY.*

(**) Term: **15 Years**

(Continued)

(21) Appl. No.: **29/752,254**

(22) Filed: **Sep. 25, 2020**

Primary Examiner — Omeed Agilee

(74) *Attorney, Agent, or Firm* — Young Basile Hanlon &
MacFarlane, P.C.

Related U.S. Application Data

(63) Continuation of application No. 29/675,551, filed on
Jan. 3, 2019, now Pat. No. Des. 897,415, which is a
continuation of application No. 29/606,950, filed on
Jun. 8, 2017, now Pat. No. Des. 841,721, which is a
continuation-in-part of application No. 15/180,535,

(Continued)

(51) **LOC (14) Cl.** **16-05**

(52) **U.S. Cl.**

USPC **D16/242**

(58) **Field of Classification Search**

USPC D16/203, 208, 213–219, 235–250;
D14/217, 229, 250–253; D8/353, 362,
D8/371, 394

CPC .. G03B 17/02–04; G03B 17/14; G03B 17/56;
G03B 17/561–568; G03B 21/20;

(Continued)

(56) **References Cited**

U.S. PATENT DOCUMENTS

4,763,151 A 8/1988 Klinger
7,077,582 B2 7/2006 Johnson

(Continued)

(57) **CLAIM**

The ornamental design for a camera mount, as shown and
described.

DESCRIPTION

FIG. 1 is a bottom, front, left perspective view of an
embodiment of a camera mount.

FIG. 2 is a top, rear, left perspective view of the camera
mount shown in FIG. 1.

FIG. 3 is a bottom plan view of the camera mount shown in
FIG. 1.

FIG. 4 is a top plan view of the camera mount shown in FIG.
1.

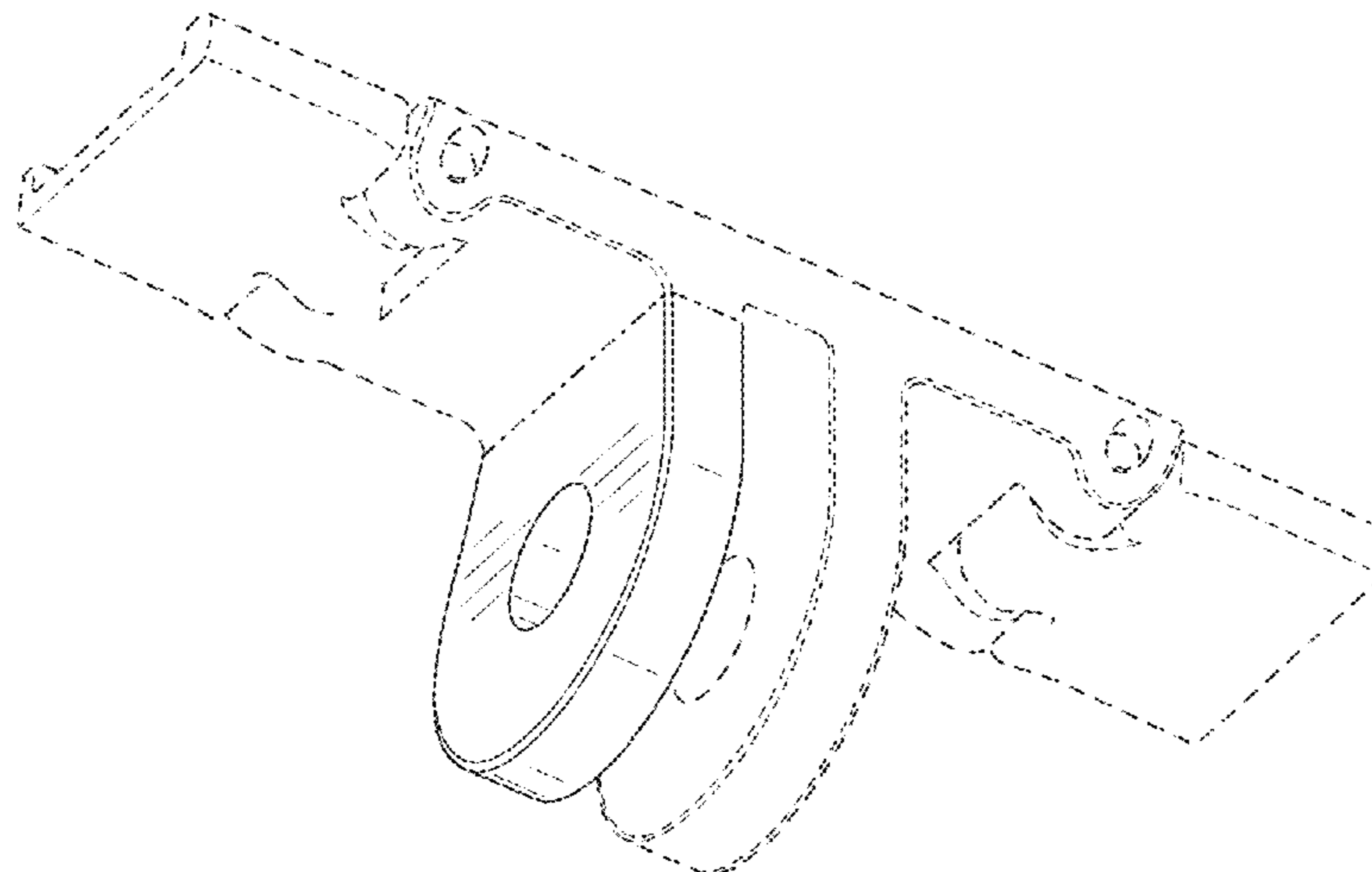
FIG. 5 is a front elevation view of the camera mount shown
in FIG. 1.

FIG. 6 is a rear elevation view of the camera mount shown
in FIG. 1.

FIG. 7 is a right elevation view of the camera mount shown
in FIG. 1; and,

FIG. 8 is a left elevation view of the camera mount shown
in FIG. 1.

(Continued)



The dash lines in the drawings depict portions of the camera mount that form no part of the claimed design. The dot-dash broken lines depict boundaries of the claimed design that form no part thereof

1 Claim, 4 Drawing Sheets

Related U.S. Application Data

filed on Jun. 13, 2016, now Pat. No. 9,772,542, which is a continuation of application No. 14/883,431, filed on Oct. 14, 2015, now Pat. No. 9,395,031.

(58) **Field of Classification Search**

CPC .. G02B 7/00-002; F16M 11/02; F16M 11/04; F16M 11/20; F16M 11/40

See application file for complete search history.

(56) **References Cited**

U.S. PATENT DOCUMENTS

7,185,862	B1	3/2007	Yang	
D635,445	S *	4/2011	Foresman D8/354
8,348,214	B2	1/2013	Vogt	
8,827,219	B2	9/2014	Kessler	
9,243,737	B2	1/2016	Hida	
D749,164	S	2/2016	Raccach	
9,297,616	B2	3/2016	Daniel	
9,297,640	B2	3/2016	Tassakos	
9,372,383	B2	6/2016	Johnson	
9,377,672	B1	6/2016	Clearman	
9,395,031	B1	7/2016	Clearman	
D764,566	S	8/2016	Bennett	
9,426,341	B1	8/2016	Baldrige	
9,507,245	B1	11/2016	Druker	
D776,746	S	1/2017	Bennett	
D777,240	S	1/2017	Costa	
9,736,376	B1	8/2017	Holway	
9,772,542	B2	9/2017	Clearman	
D800,204	S *	10/2017	Harrison D16/242
D800,205	S	10/2017	Harrison	
D800,822	S	10/2017	Costa	
9,829,772	B2	11/2017	Harrison	
9,851,622	B2	12/2017	Song	
D809,052	S *	1/2018	Martin D16/242

D833,511	S *	11/2018	Paterson D16/242
D837,867	S *	1/2019	Martin D16/242
D841,721	S	2/2019	Muhlenkamp, IV	
D841,722	S *	2/2019	Bergman D16/242
D842,360	S *	3/2019	Achenbach D16/242
D857,785	S *	8/2019	Lovisone D16/242
D873,833	S	1/2020	Leimer	
10,539,858	B2	1/2020	Clearman	
D879,762	S	3/2020	Luo	
D884,778	S *	5/2020	Birkemeier D8/382
D897,415	S	9/2020	Muhlenkamp, IV	
D908,780	S *	1/2021	Harrison D16/242
11,029,584	B2	6/2021	Clearman	
D930,733	S *	9/2021	Le Roux D16/242
2005/0041966	A1	2/2005	Johnson	
2009/0110380	A1	4/2009	Fantone	
2009/0283184	A1	11/2009	Han	
2010/0229450	A1	9/2010	Becker	
2012/0120236	A1	5/2012	Xiao	
2014/0321843	A1	10/2014	Hulse	
2015/0177597	A1	6/2015	Harrison	
2015/0234258	A1	8/2015	Hida	
2015/0346588	A1	12/2015	Hudson	
2016/0186919	A1	6/2016	Zhao	
2017/0108759	A1	4/2017	Clearman	
2017/0255082	A1	9/2017	Song	
2018/0157153	A1	6/2018	Clearman	
2020/0142285	A1	5/2020	Clearman	

OTHER PUBLICATIONS

Fantaseal Action Camera Bike Mount Aluminum Alloy 2-Rail Saddle Bike Seat Mount for GoPro Pro Seat Rail Mount GoPro Bike Mount GoPro Bicycle Seat Rack Mount for GoPro Garmin Virb XE Sjecam Dbpower-BK. Online, published date unknown. Retrieved on May 23, 2018 from URL: <https://www.amazon.com/fantaseal-Action-Camera-Bi> (1 page).

Pro Camera Bracket Integrated Mount. Online, published date unknown. Retrieved on May 23, 2018 from URL: <https://www.annaincycling.com/pro-camera-bracket-integrated-mount-black-17-pro-saddle-compatible-prac0129/p612468> (1 page).

Spypoint Xcel Action Camera Adhesive Mount XHD-AM. Online, published date unknown. Retrieved on May 14, 2020 from URL: <https://www.opticsplanet.com/spy-point-xcel-action-camera-adhesive-mount.html>, 1 page.

United States Office Action, U.S. Appl. No. 15/180,535, filed Jan. 17, 2017, 12 pages.

* cited by examiner

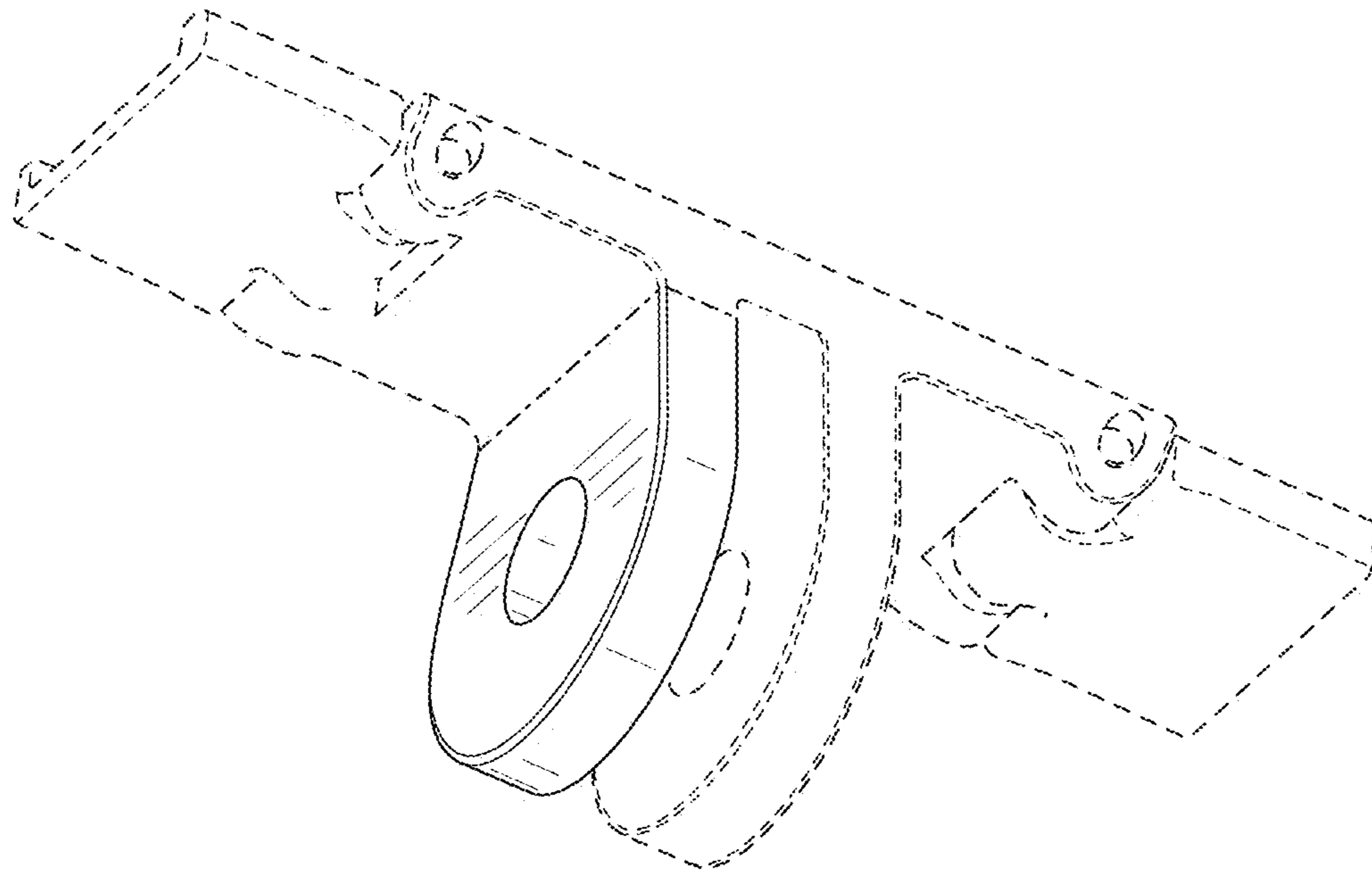


FIG. 1

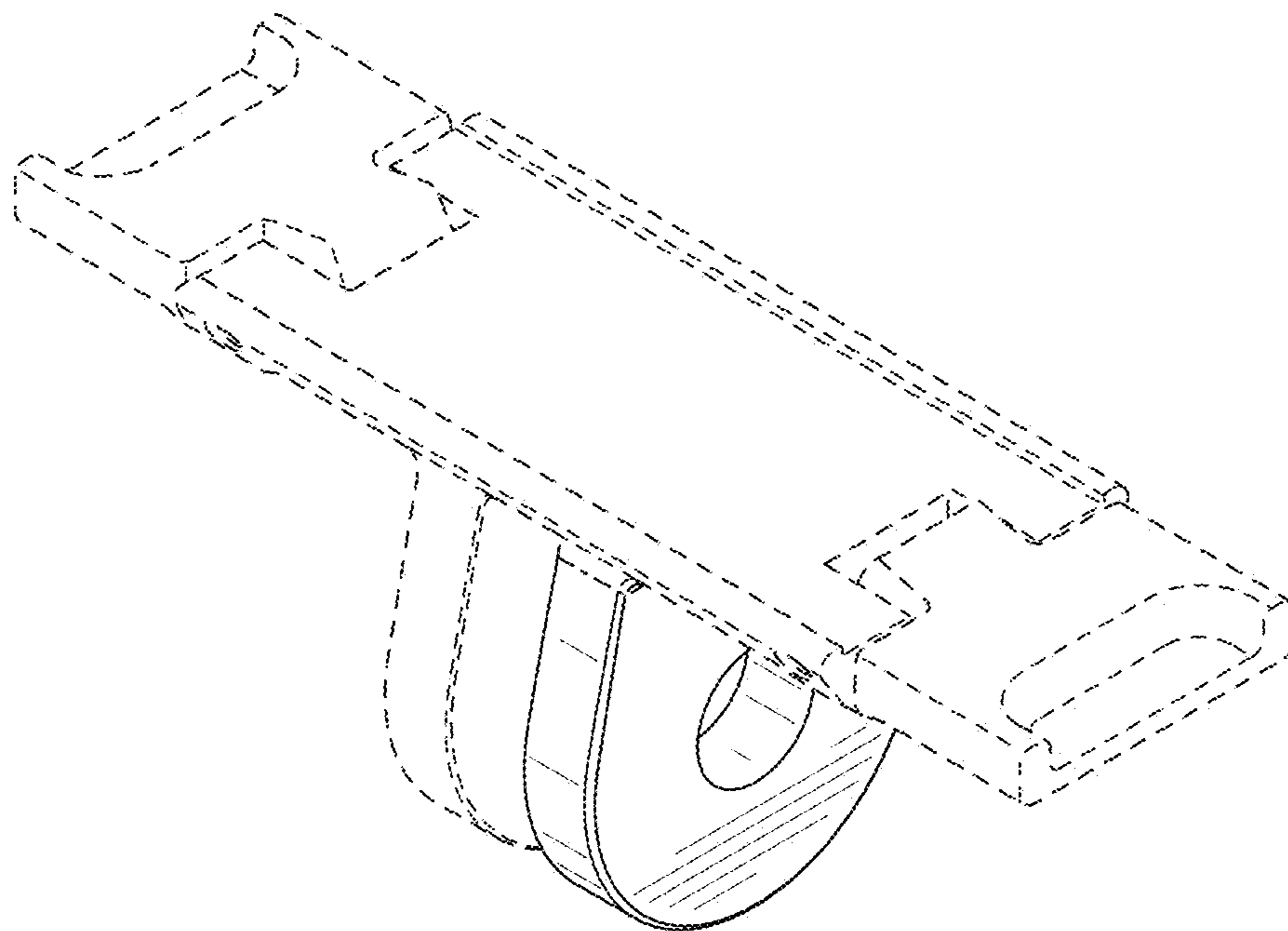


FIG. 2

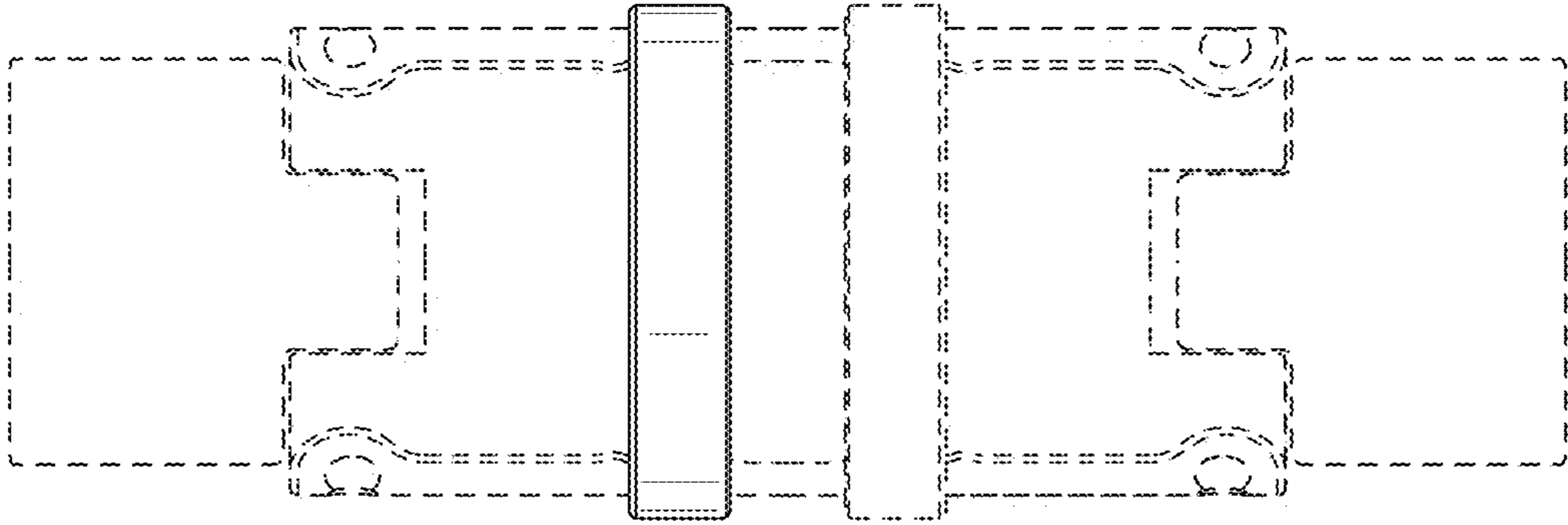


FIG. 3

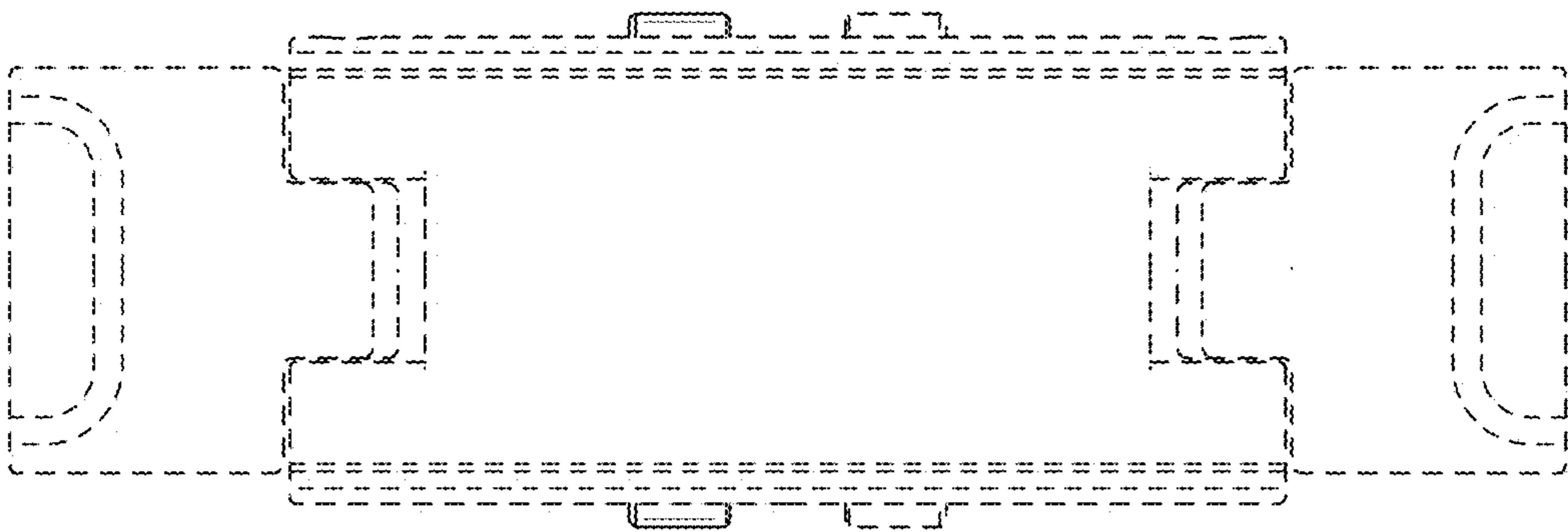


FIG. 4

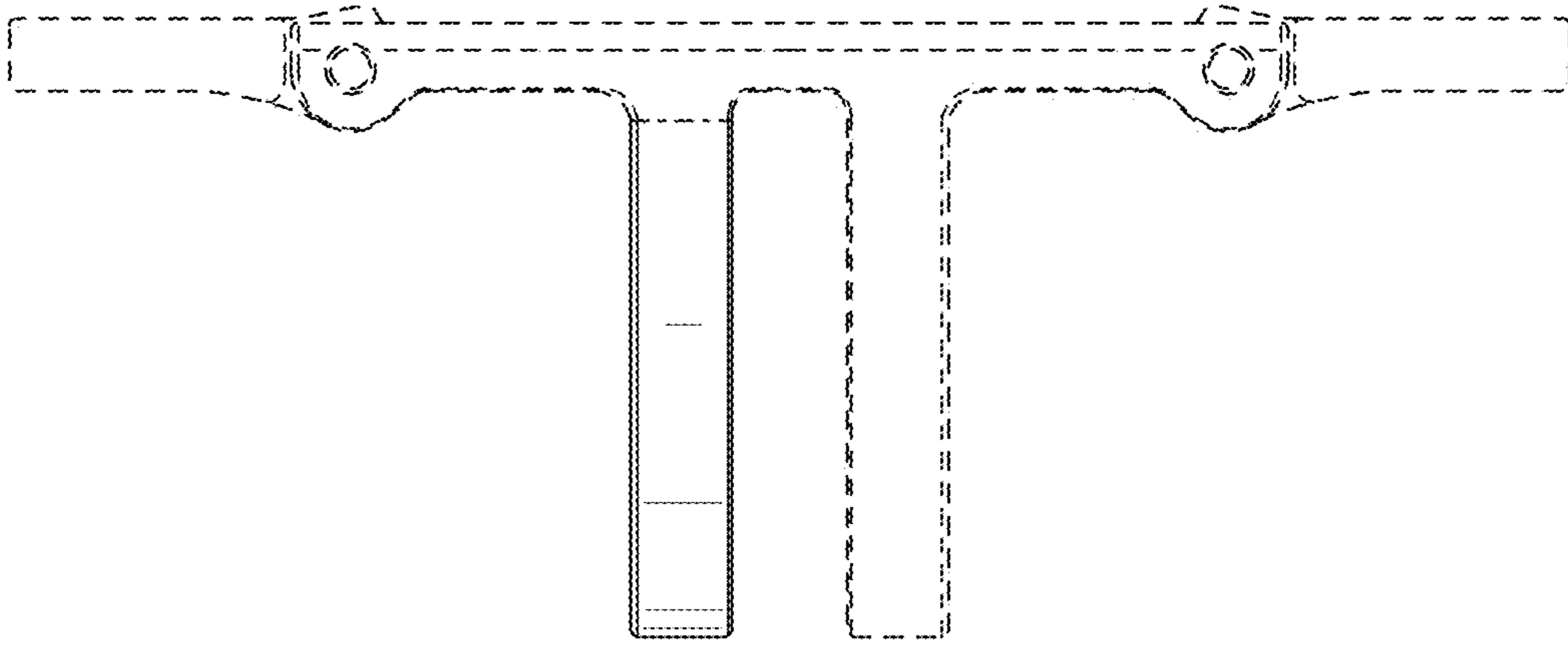


FIG. 5

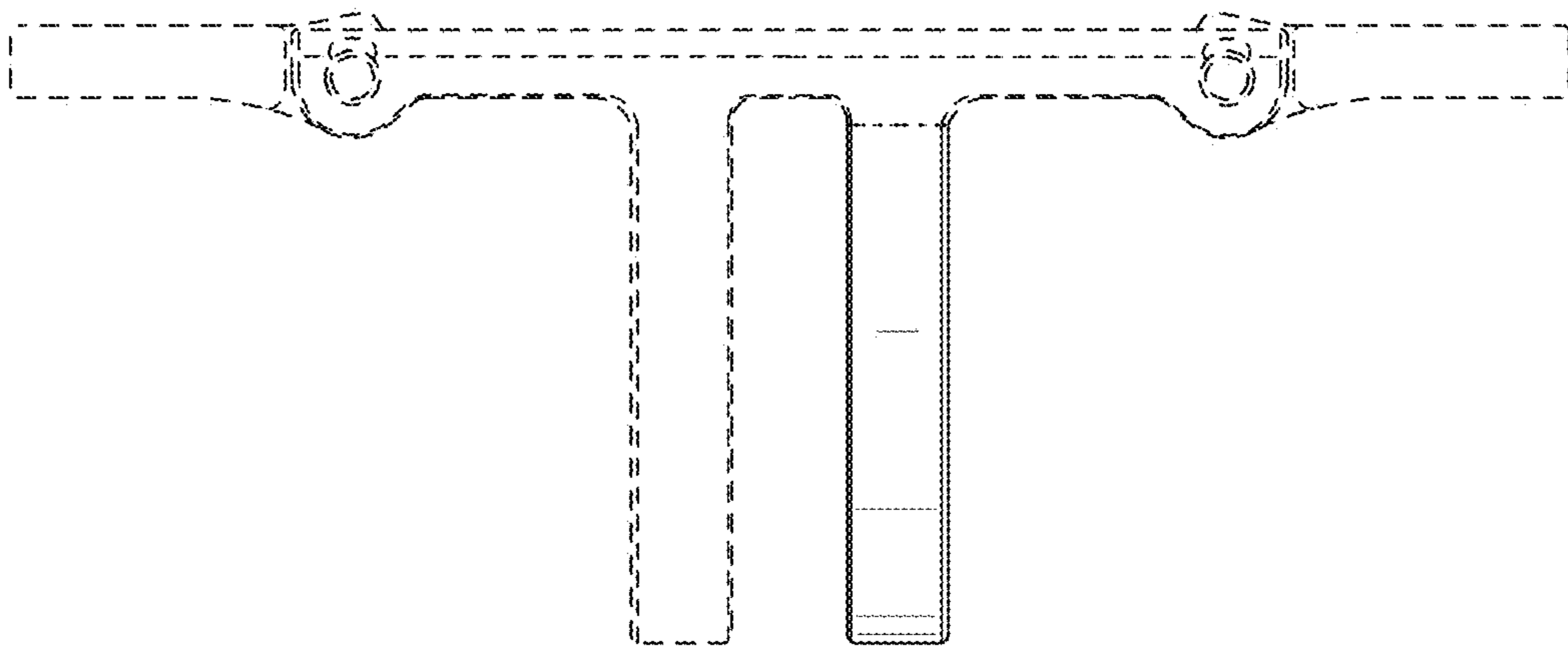


FIG. 6

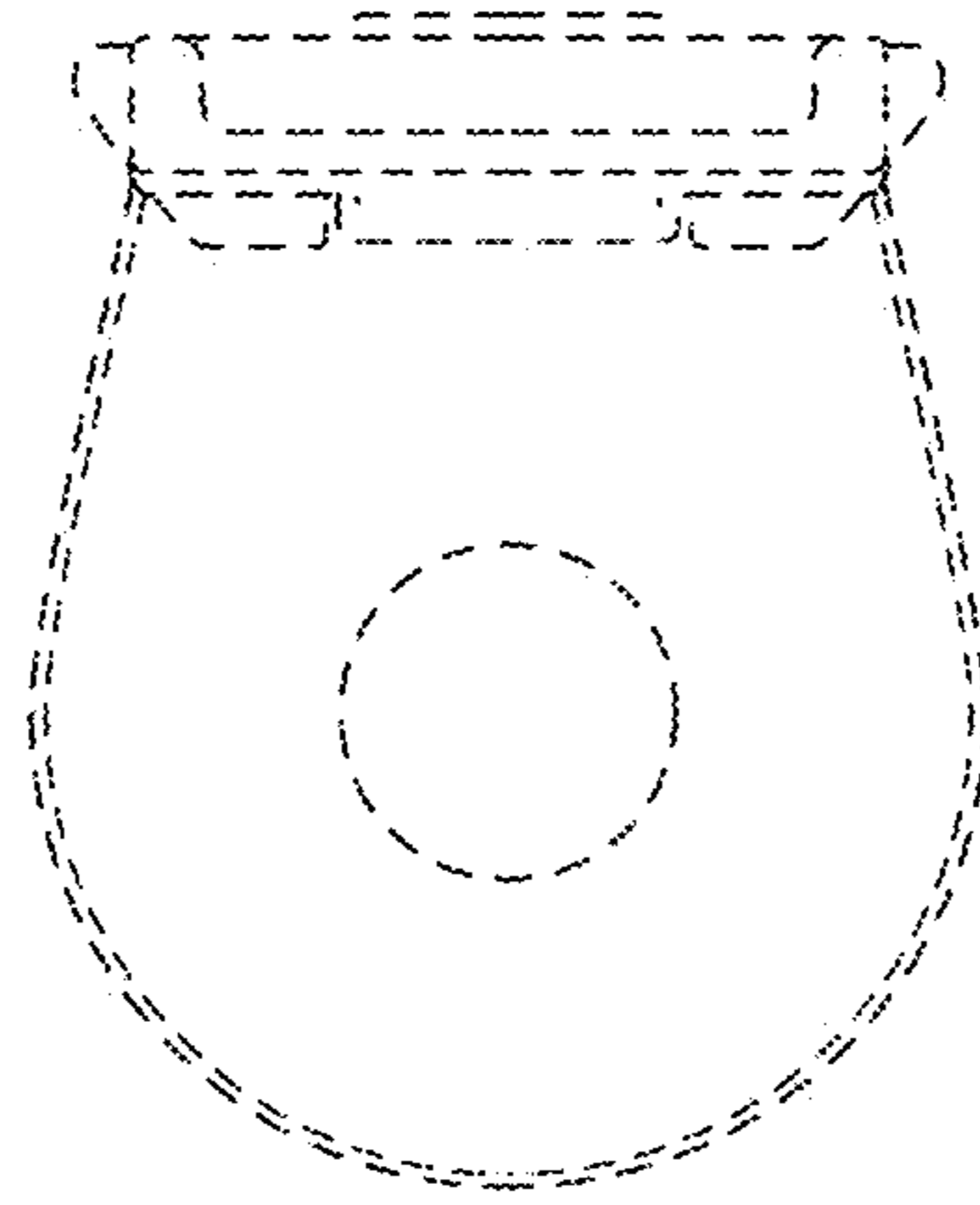


FIG. 7

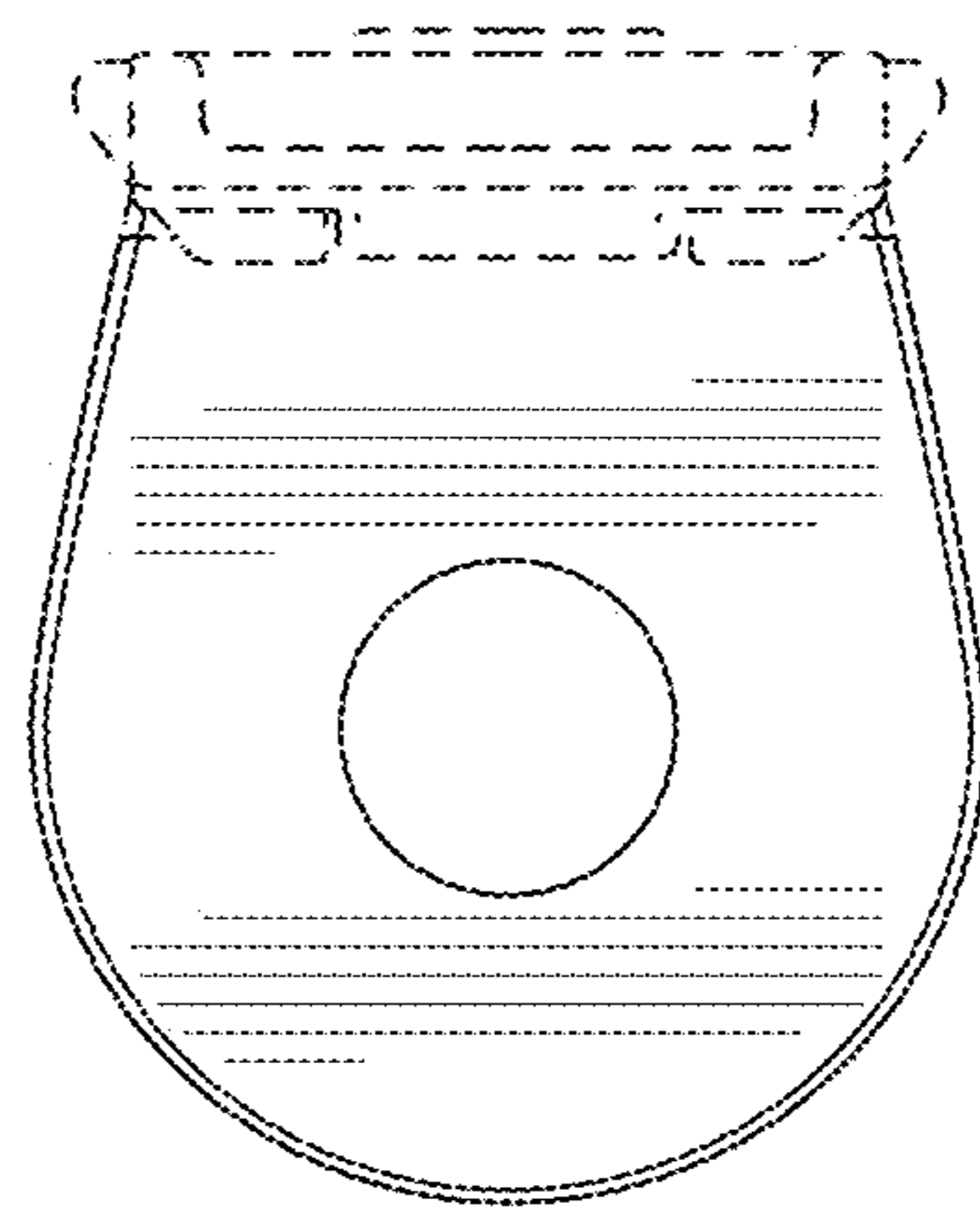


FIG. 8