



US00D986944S

(12) **United States Design Patent**  
**Chen**

(10) **Patent No.:** **US D986,944 S**

(45) **Date of Patent:** **\*\* May 23, 2023**

- (54) **CAMERA LENS PROTECTOR**
- (71) Applicant: **Dongguan Guanhe Optical Glass Co., Ltd.**, DongGuan (CN)
- (72) Inventor: **GuanHua Chen**, DongGuan (CN)
- (73) Assignee: **DONGGUAN GUANHE OPTICAL GLASS CO., LTD.**, Dongguan (CN)

D702,278 S *	4/2014	Kim .....	D16/237
D702,755 S *	4/2014	Bould .....	D16/237
D736,848 S *	8/2015	Kim .....	D16/136
D740,345 S *	10/2015	Fujita .....	D16/237
D751,135 S *	3/2016	Bould .....	D16/237
D776,737 S *	1/2017	Horton .....	D16/136
D822,753 S *	7/2018	Martinez .....	D16/237
D848,513 S *	5/2019	Martinez .....	D16/219
D862,779 S *	10/2019	Anderson .....	D26/118

- (\*\*) Term: **15 Years**
- (21) Appl. No.: **29/824,419**
- (22) Filed: **Jan. 25, 2022**

**FOREIGN PATENT DOCUMENTS**

CN	305852639 S	6/2020
CN	306741850 S	8/2020
CN	306555925 S	5/2021

\* cited by examiner

- (30) **Foreign Application Priority Data**
- Dec. 17, 2021 (CN) ..... 202130838732.9
- (51) **LOC (14) Cl.** ..... **16-05**
- (52) **U.S. Cl.**
- USPC ..... **D16/219; D16/237**
- (58) **Field of Classification Search**
- USPC ..... D16/134, 136, 200, 218, 219, 235, 237; D26/118, 119
- CPC ..... G03B 15/03; G03B 17/02; G03B 17/04; G03B 17/08; G03B 17/56; G03B 19/04; H04N 5/2251; H04N 5/2252; H04N 5/2253; H04N 5/2254
- See application file for complete search history.

*Primary Examiner* — Ramzi Almatrahi  
(74) *Attorney, Agent, or Firm* — Andrew C. Cheng

(57) **CLAIM**

I claim the ornamental design for a camera lens protector, as shown and described.

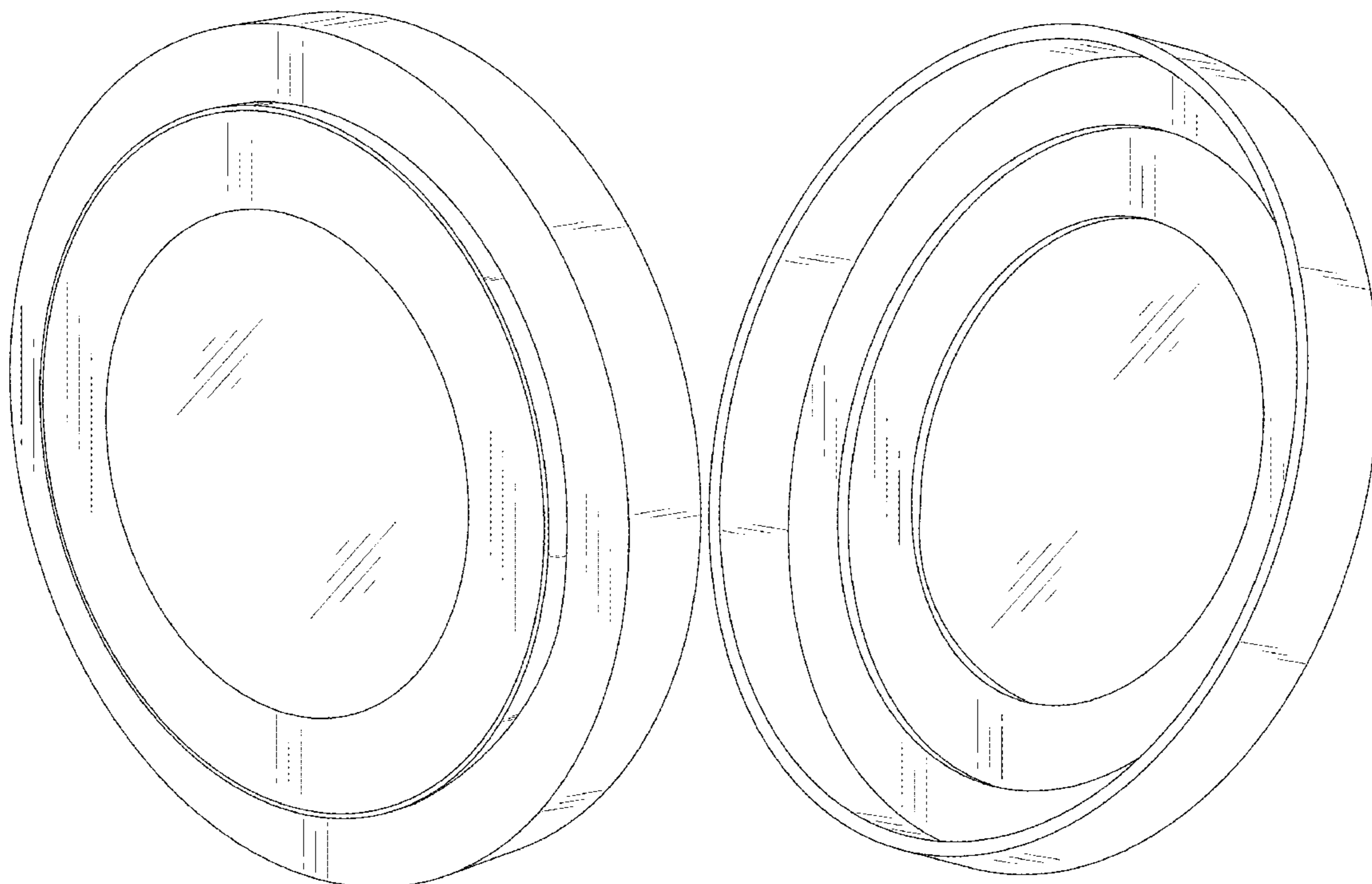
**DESCRIPTION**

FIG. 1 is a front perspective view of a camera lens protector showing my new design;  
FIG. 2 is a back perspective view thereof;  
FIG. 3 is a front elevation view thereof;  
FIG. 4 is a back elevation view thereof;  
FIG. 5 is a left side elevation view thereof;  
FIG. 6 is a right side elevation view thereof;  
FIG. 7 is a top plan view thereof;  
FIG. 8 is a bottom plan view thereof; and,  
FIG. 9 is an exploded front perspective view thereof.

- (56) **References Cited**
- U.S. PATENT DOCUMENTS**

D529,065 S *	9/2006	Watanabe .....	D16/134
D650,821 S *	12/2011	Verhey .....	D16/134

**1 Claim, 9 Drawing Sheets**



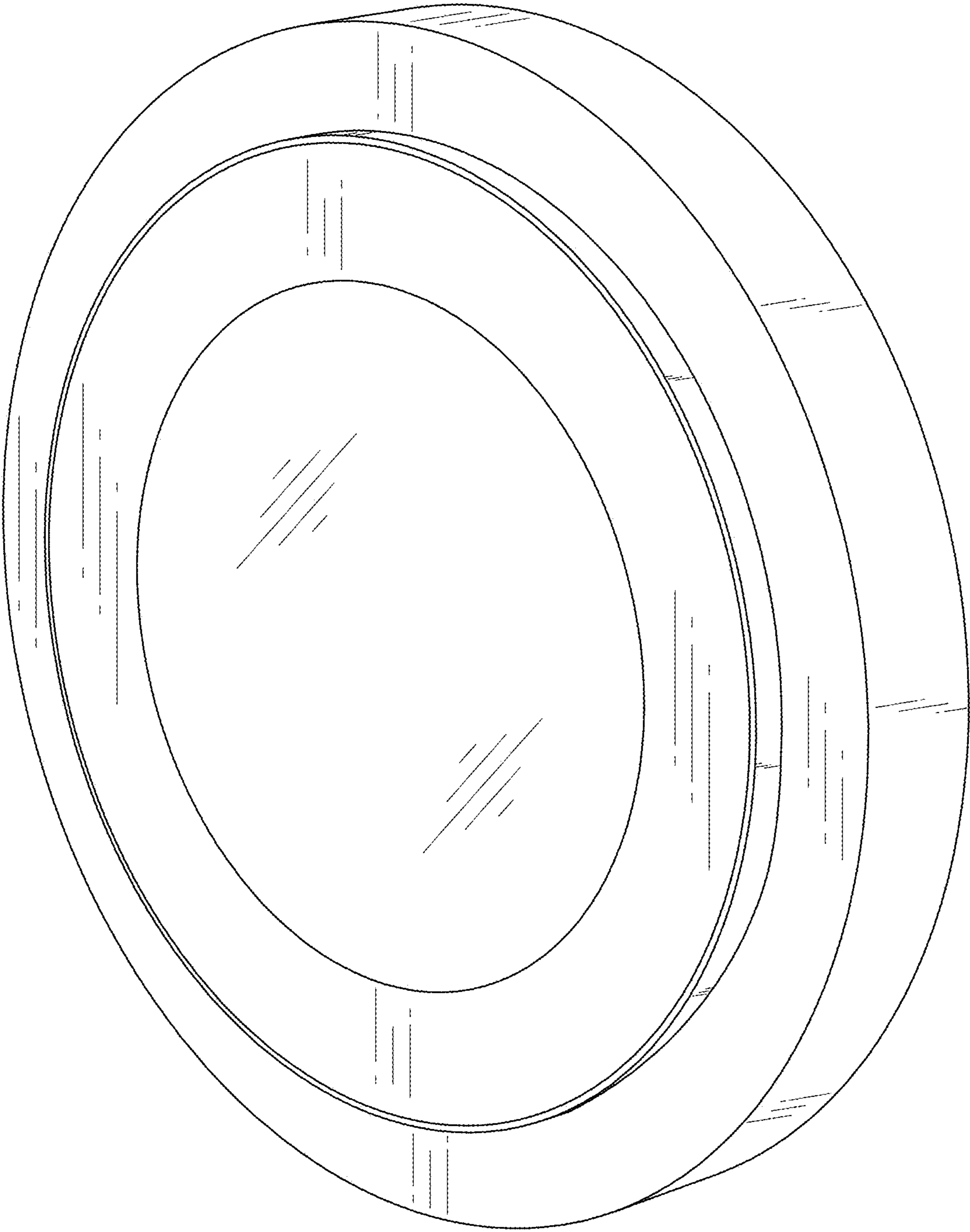


FIG. 1

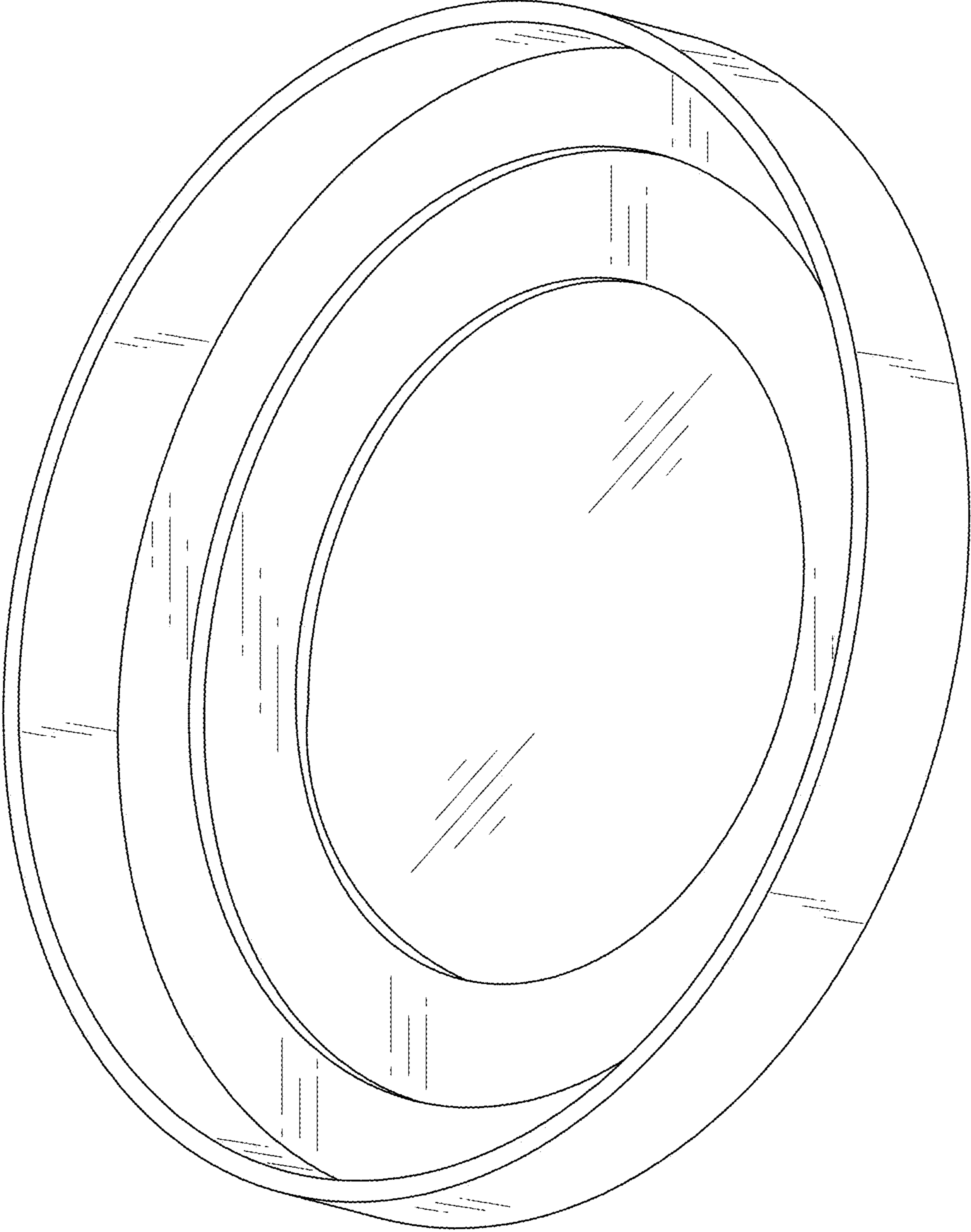


FIG.2

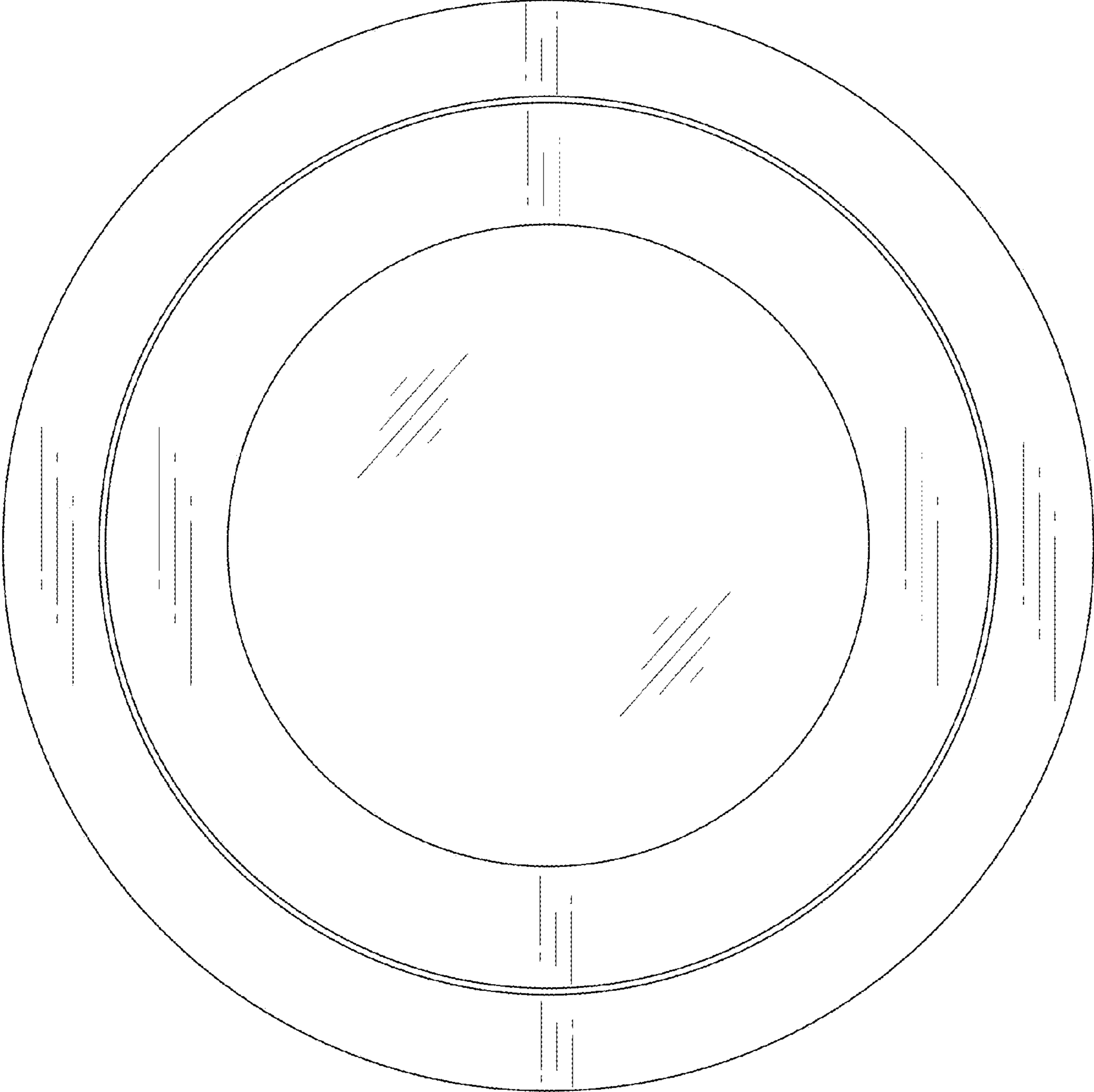


FIG.3



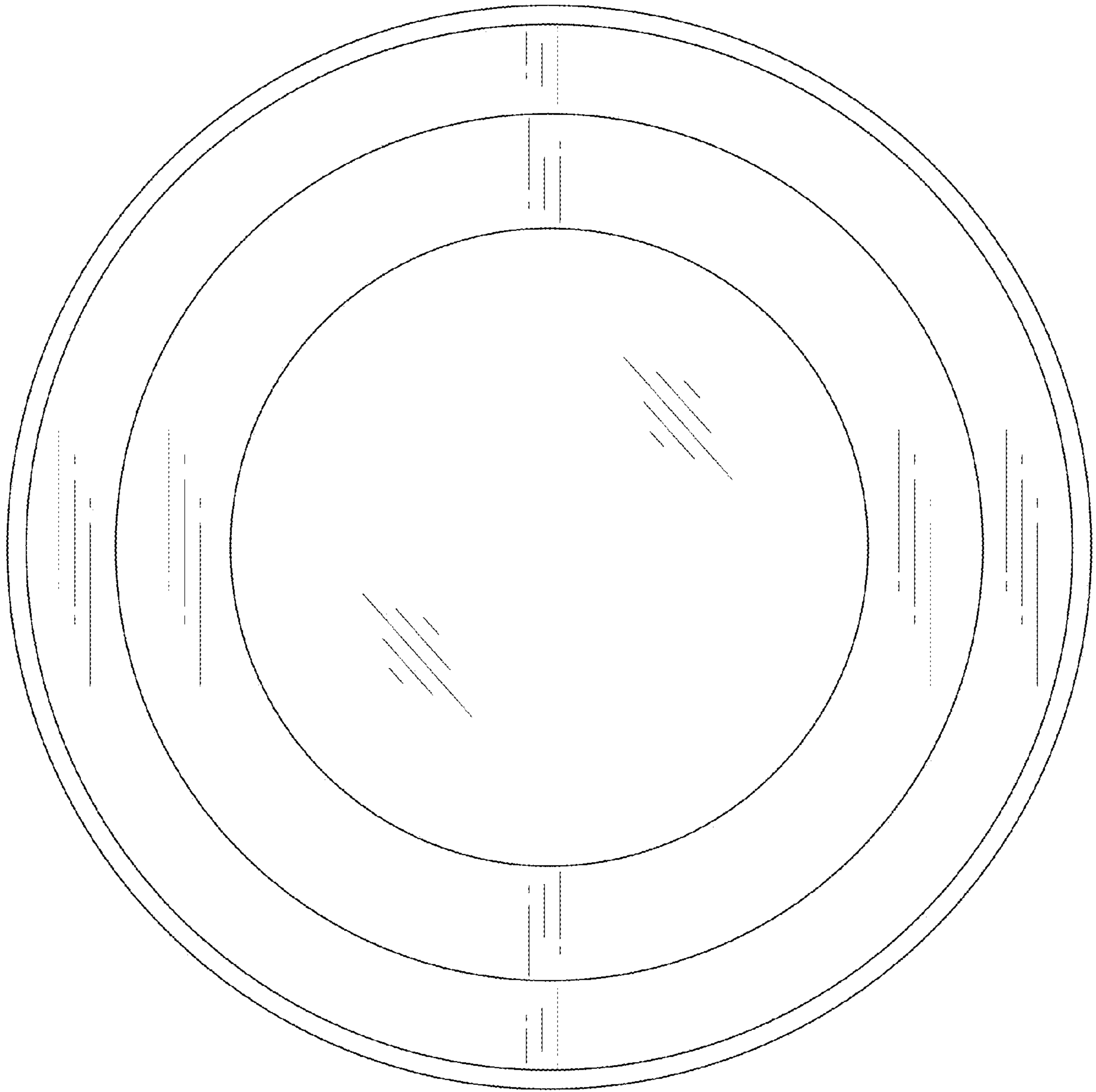


FIG. 4

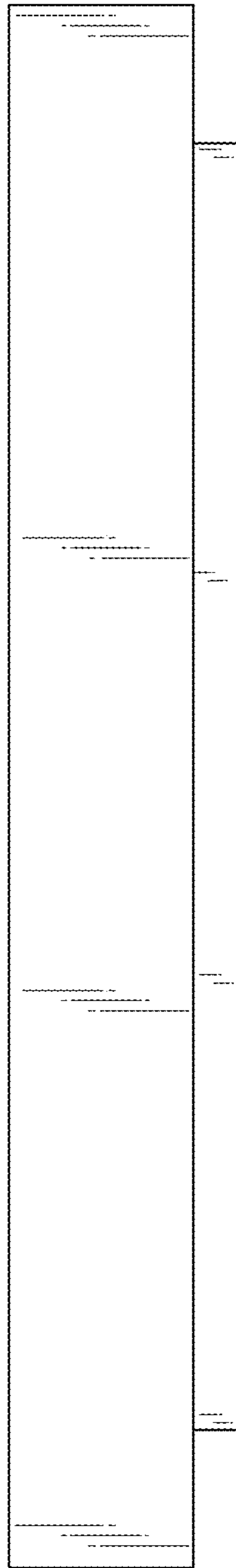


FIG.5

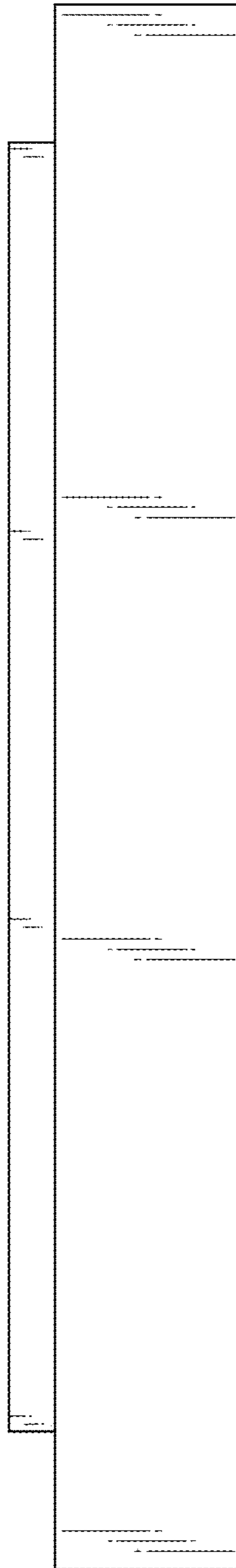


FIG.6

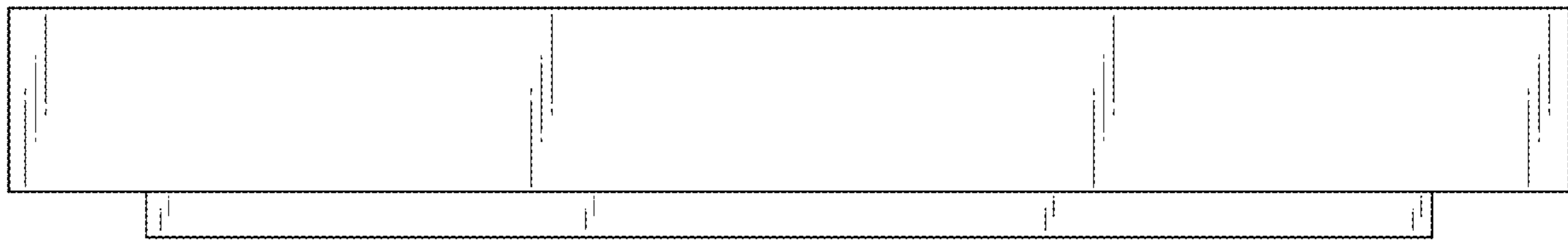


FIG.7



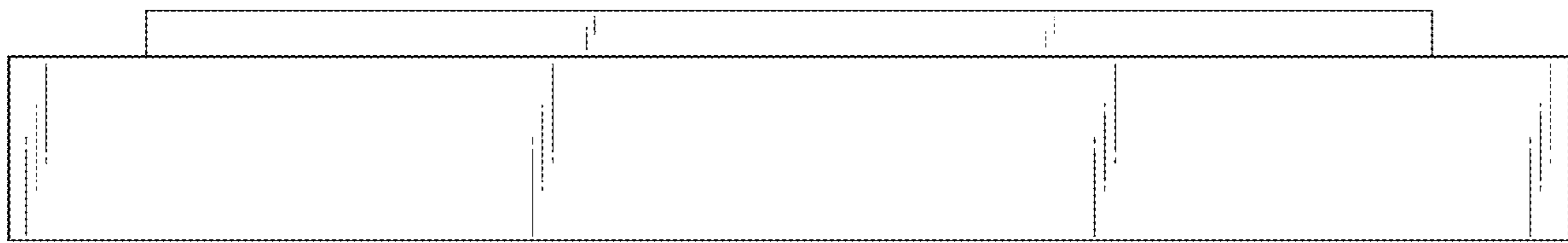


FIG.8

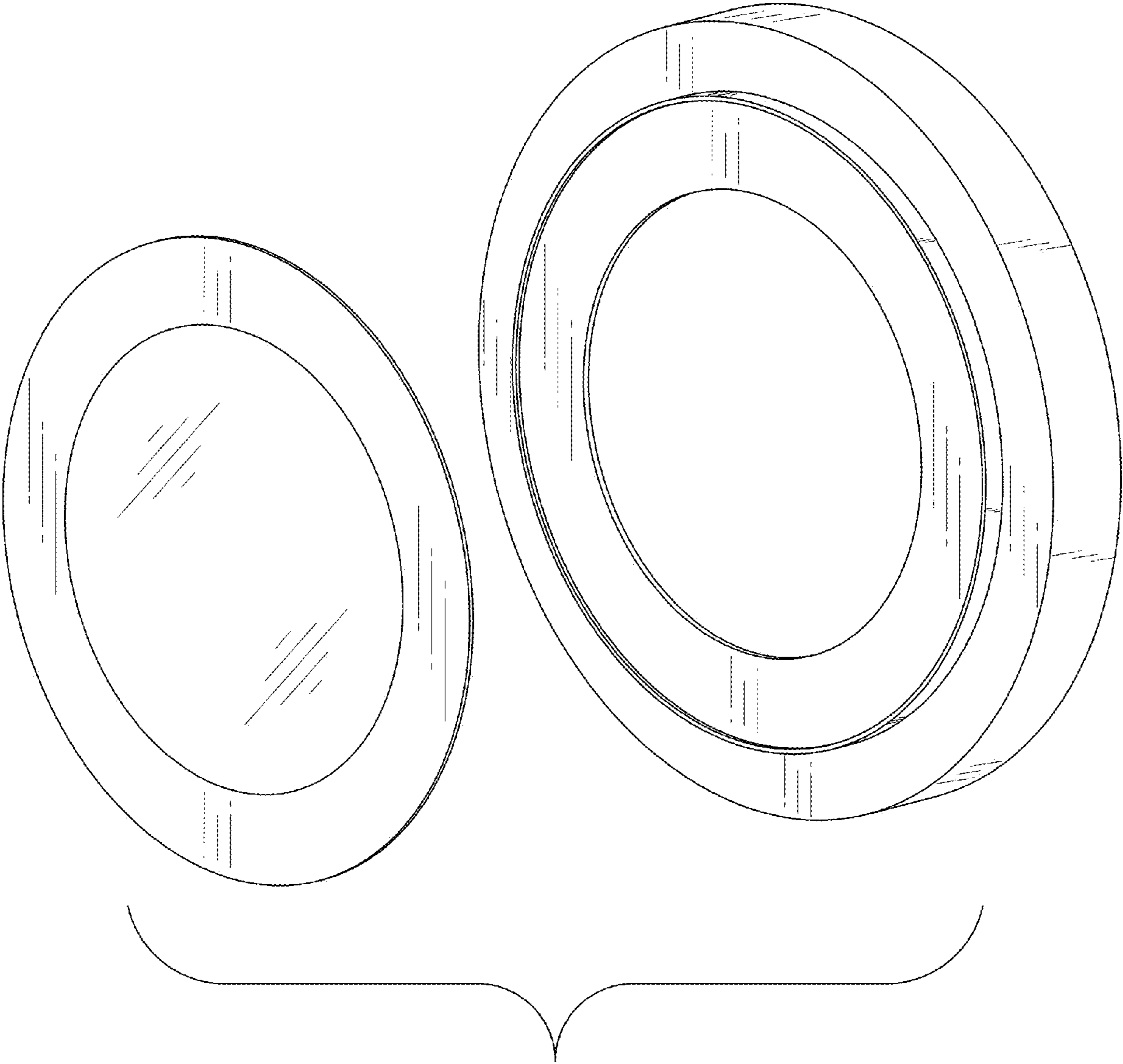


FIG.9