



US00D986943S

(12) **United States Design Patent**
Na

(10) **Patent No.:** **US D986,943 S**

(45) **Date of Patent:** **** May 23, 2023**

(54) **PROJECTOR**

(71) Applicant: **Tianjin Chuangke Shangpin Technology Co., LTD**, Tianjin (CN)

(72) Inventor: **Xinyang Na**, Tangshan (CN)

(73) Assignee: **Tianjin Chuangke Shangpin Technology Co., LTD**, Tianjin (CN)

(**) Term: **15 Years**

(21) Appl. No.: **29/848,502**

(22) Filed: **Aug. 3, 2022**

(51) **LOC (14) Cl.** **16-02**

(52) **U.S. Cl.**
USPC **D16/229**

(58) **Field of Classification Search**
USPC D16/221, 225, 229–231, 234–235;
D21/514
CPC G03B 21/16; G03B 21/14; G03B 21/145;
G03B 21/00; G03B 21/001; G03B
21/003; G03B 21/12; G03B 21/142;
G03B 21/30
See application file for complete search history.

(56) **References Cited**

U.S. PATENT DOCUMENTS

D203,714 S * 2/1966 Radtke D16/229
D246,314 S * 11/1977 Kubnick D16/229

D391,591 S * 3/1998 Kikuchi D16/229
D641,772 S * 7/2011 Seo D16/230
D695,813 S * 12/2013 Nagae D16/229
D956,124 S 6/2022 Gao
2013/0057835 A1* 3/2013 Reis G03B 21/16
353/52

* cited by examiner

Primary Examiner — Wan Laymon

(74) *Attorney, Agent, or Firm* — Nitin Kaushik

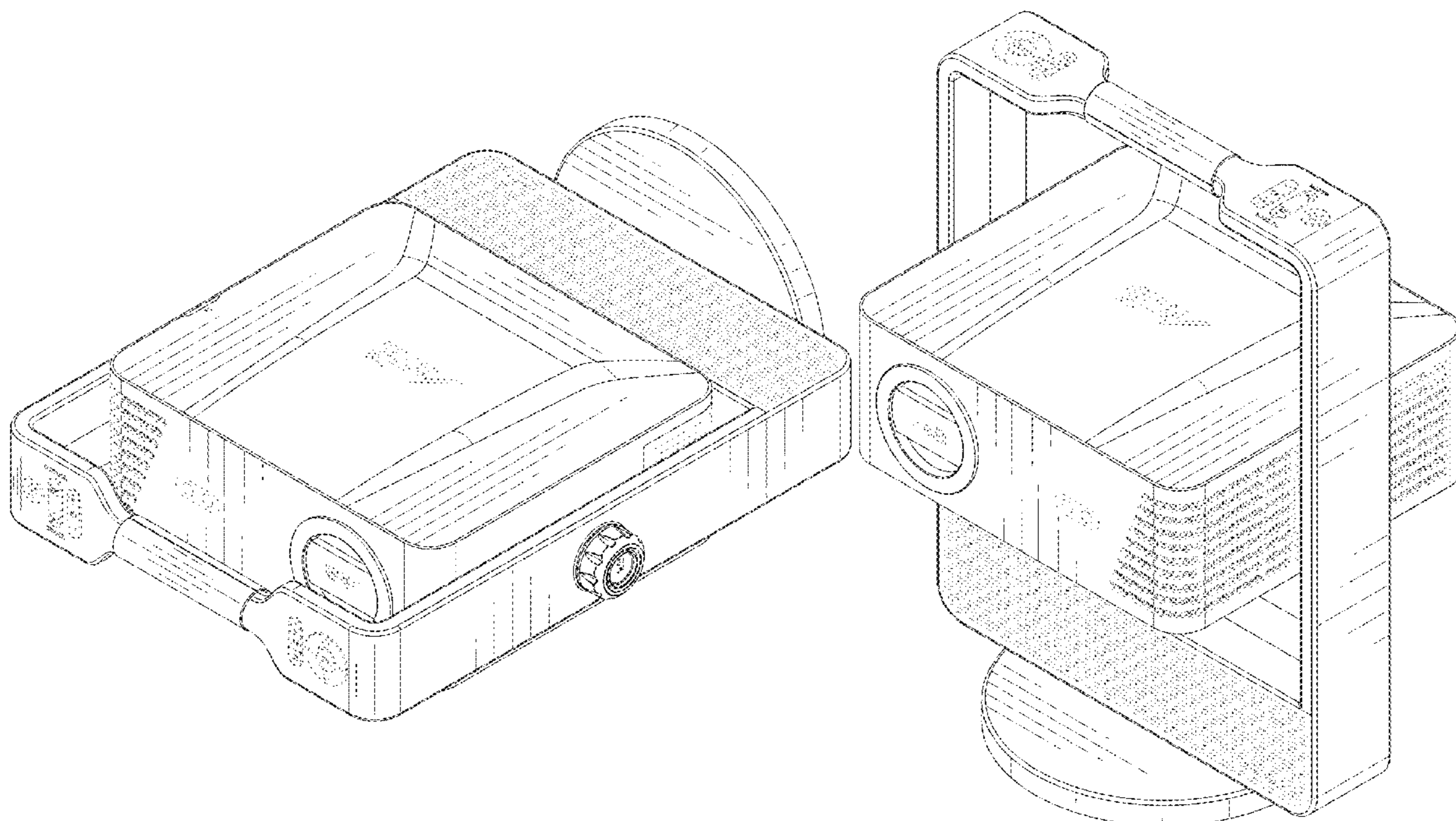
(57) **CLAIM**

The ornamental design for a projector, as shown and described.

DESCRIPTION

FIG. 1 is a front perspective view of a projector, showing my new design;
FIG. 2 is its use state diagram;
FIG. 3 is a front view thereof;
FIG. 4 is a rear view thereof;
FIG. 5 is a left side view thereof;
FIG. 6 is a right side view thereof;
FIG. 7 is a top view thereof; and,
FIG. 8 is a bottom view thereof.
The broken lines in the drawings illustrate the portions of the projector, which form no part of the claimed design.

1 Claim, 8 Drawing Sheets



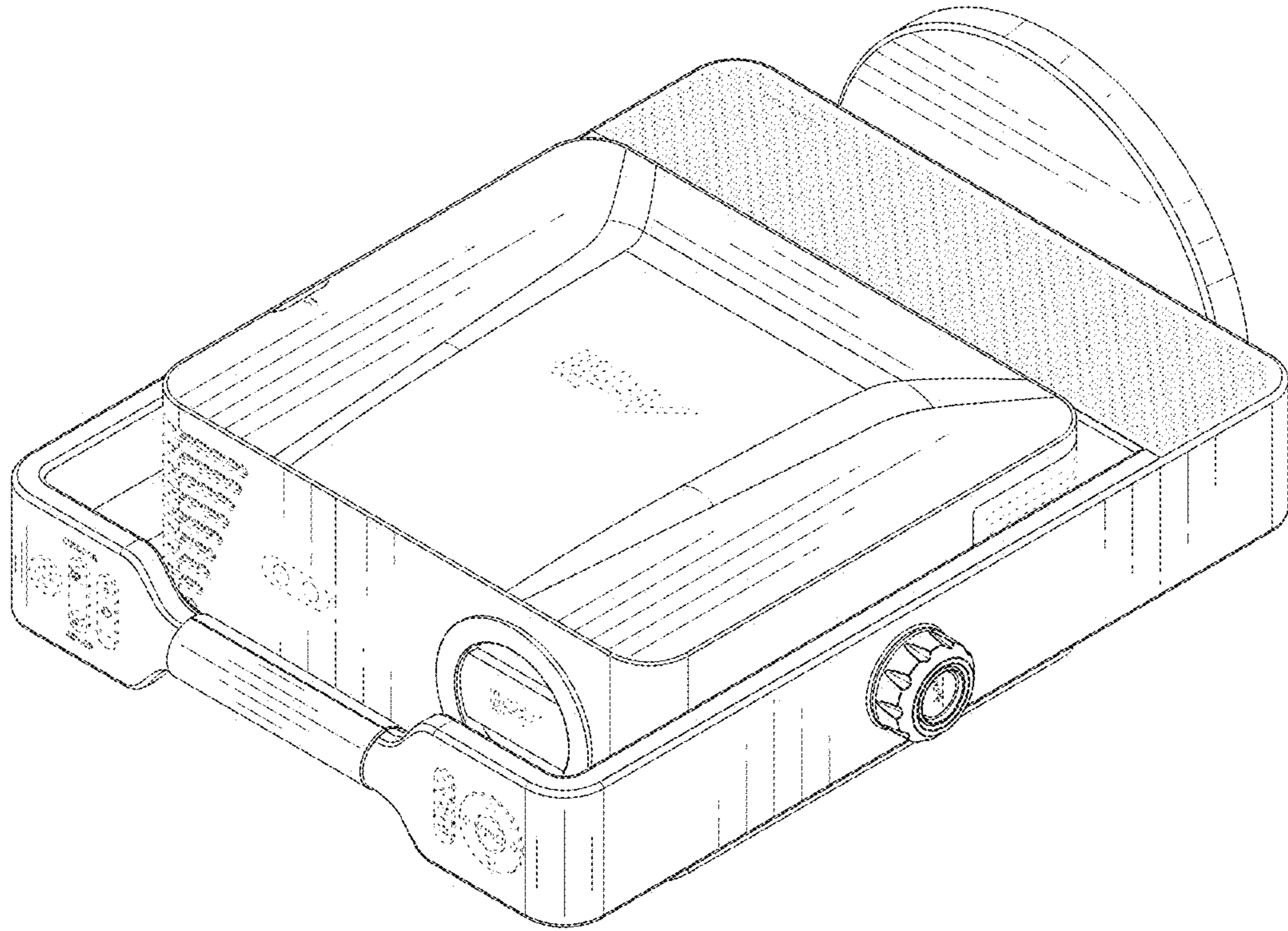


FIG. 1

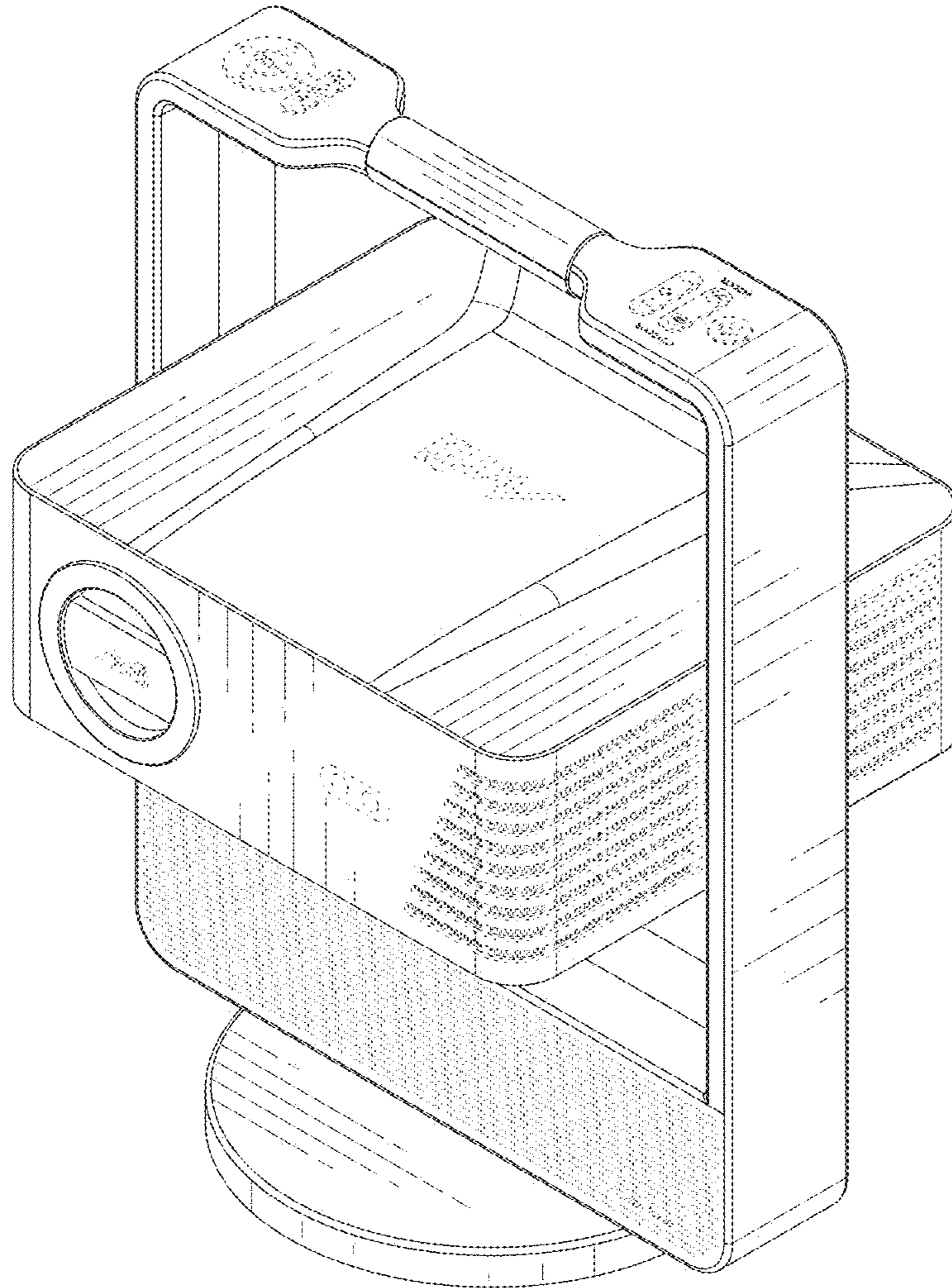


FIG. 2

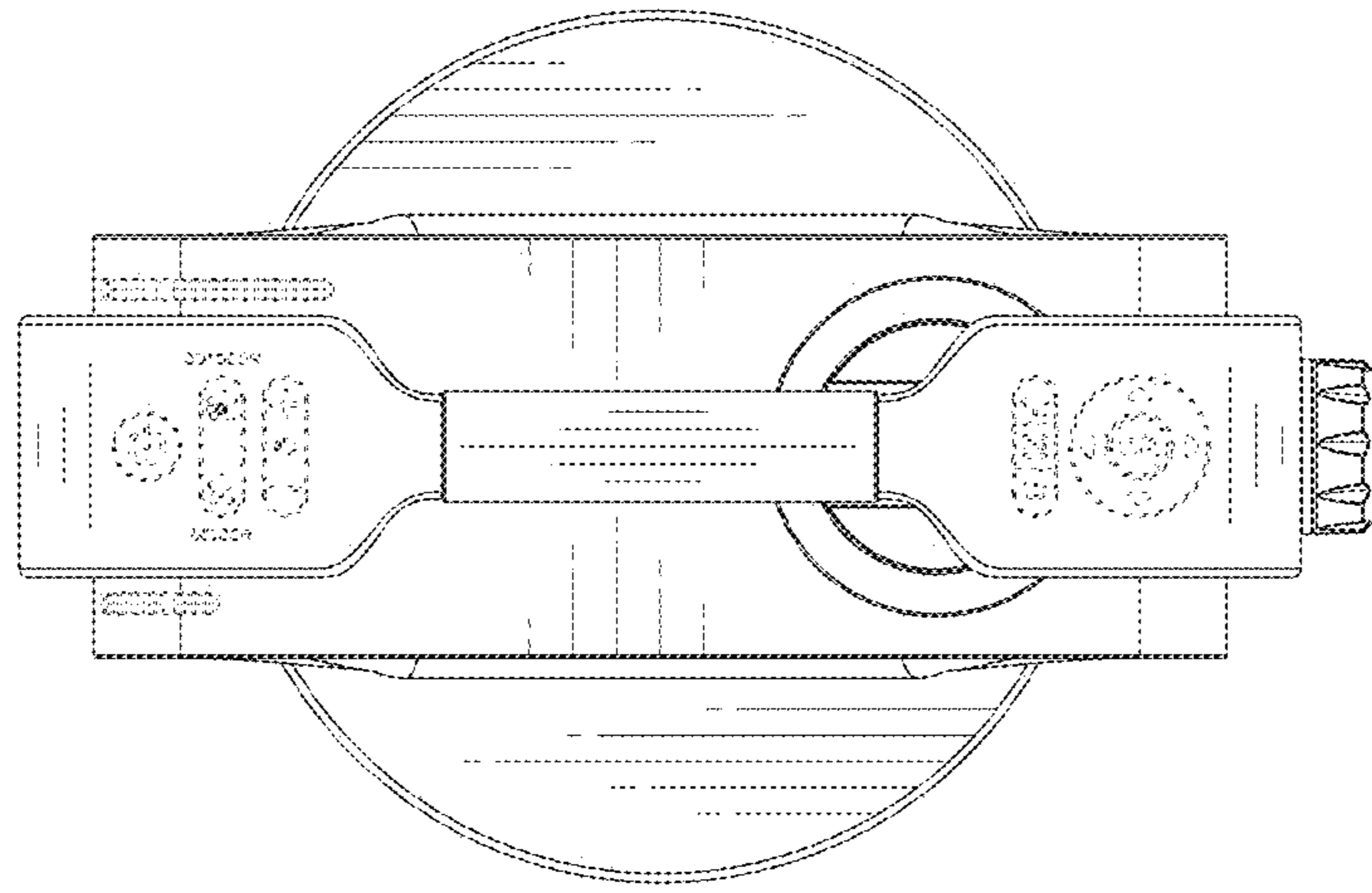


FIG. 3

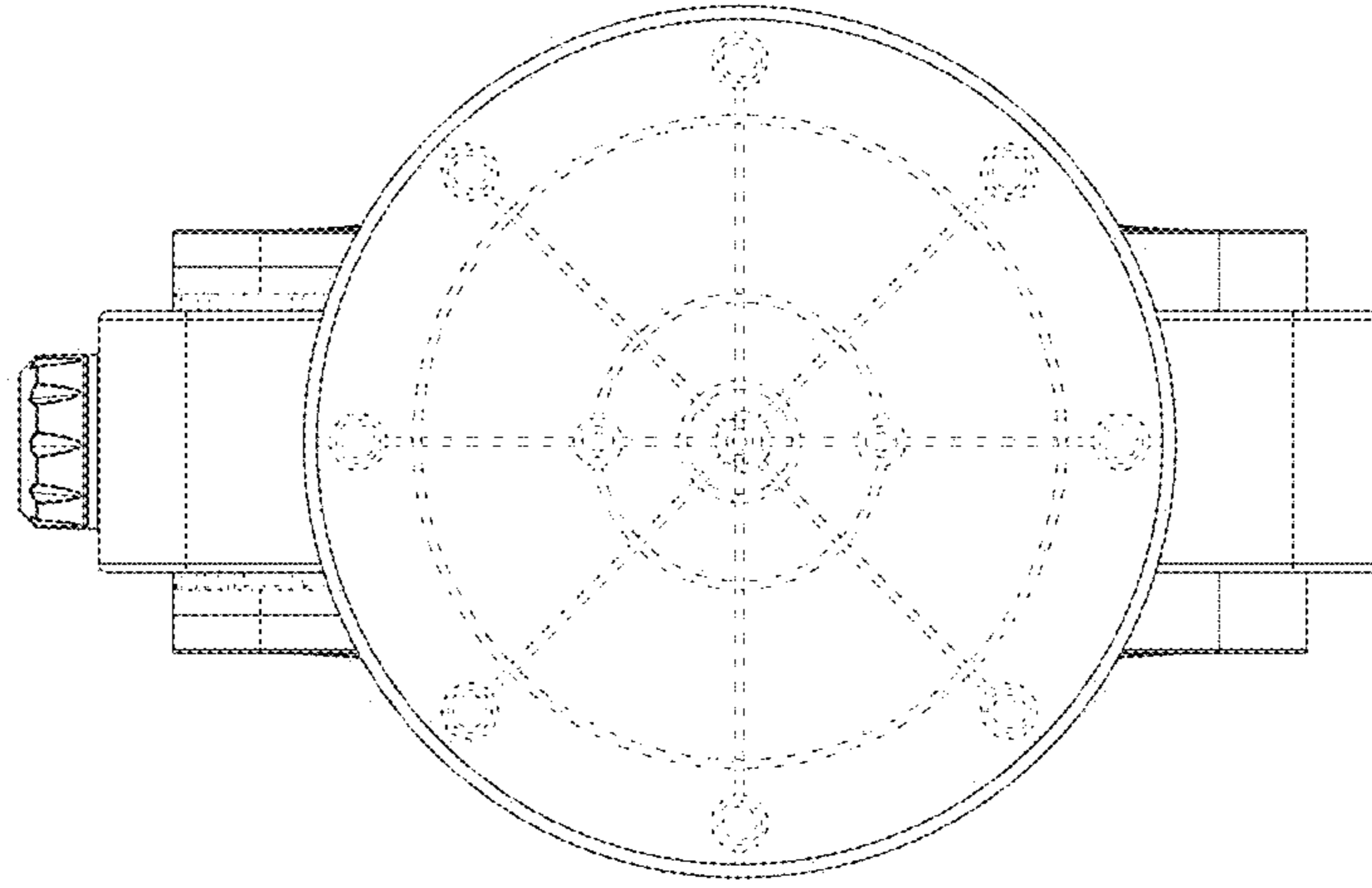


FIG. 4

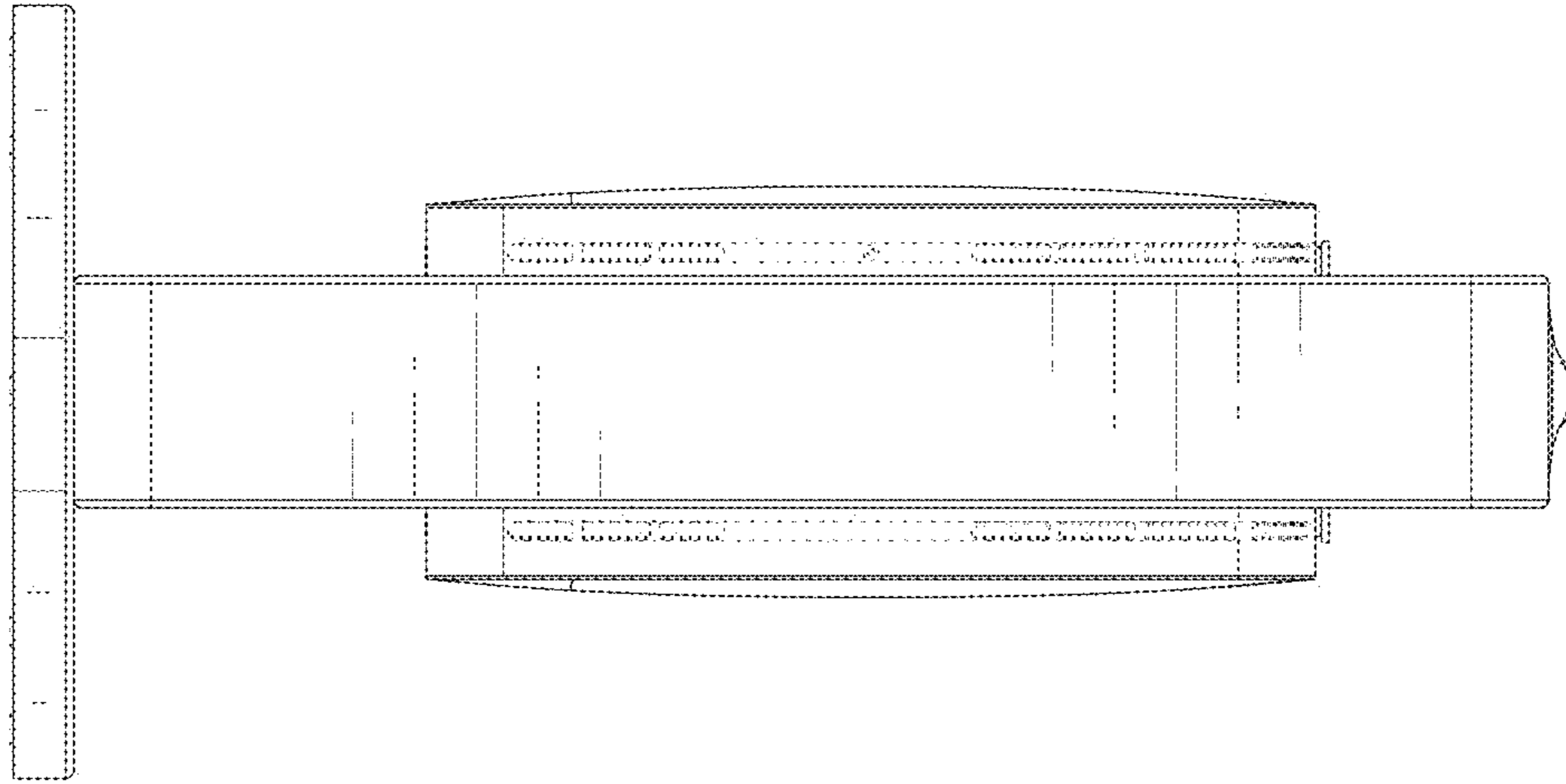


FIG. 5

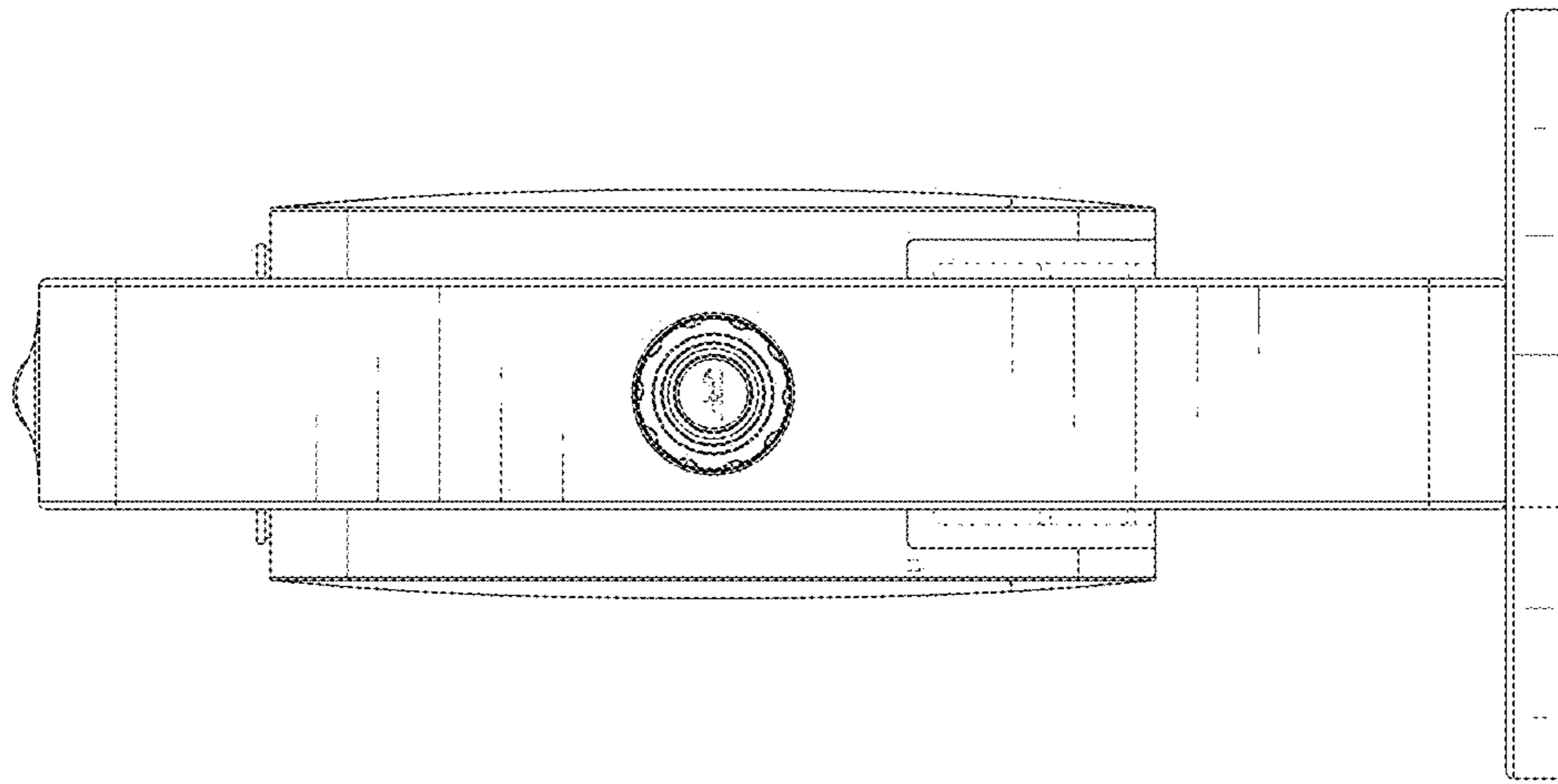


FIG. 6

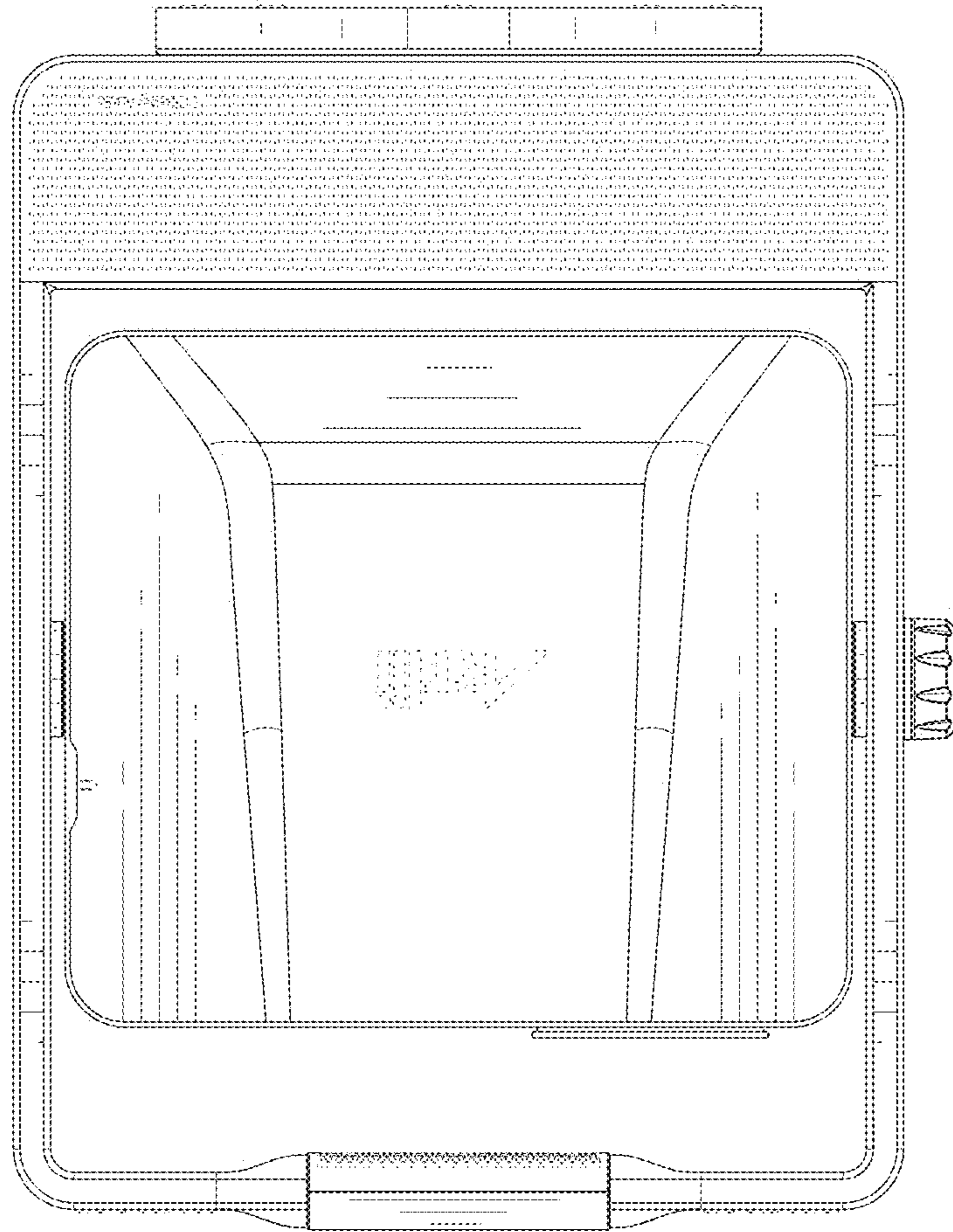


FIG. 7

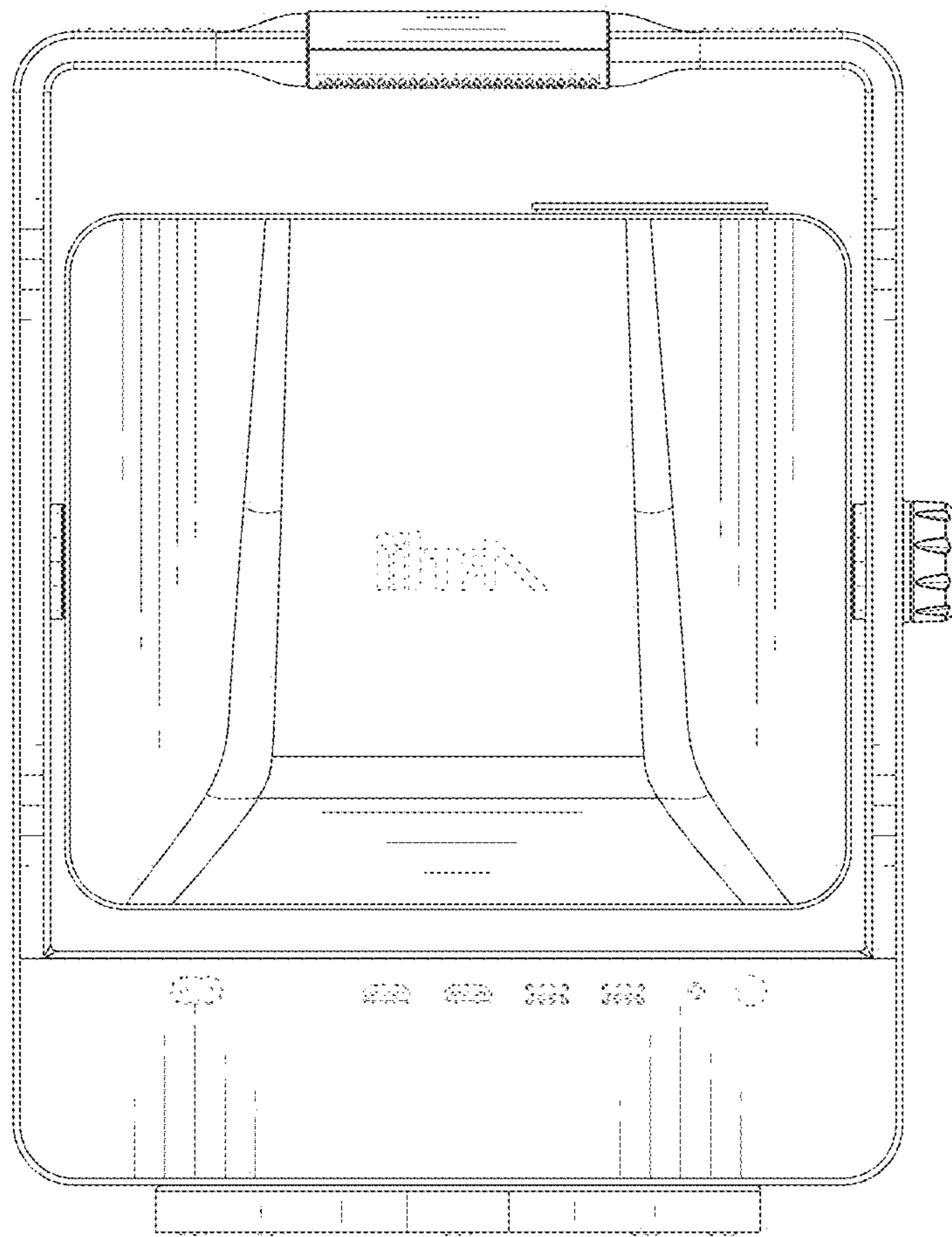


FIG. 8